

5 65Q WIRE ASM-GPS TRANSMITTER
000160362 / 328001-01-000

WIRE ASM-IP, MAIN
000041654 / 319864-01-000

CLIP-WIRE, NYLON
080734-02-000
TIE-WIRE
008343-01-000

6 PIN HOUSING
TO LEFT MIRROR

12 PIN HSG TO SIDEWALL

TO CENTER
CLEARANCE LAMP

12 PIN HOUSING
TO ROOF

TO RIGHT
CLEARANCE LAMP

TO SUNVISOR SHADE
3 BUTT SPLICES
HHM-RED
HHN-BLK
KE-BRN

TO LOFT
BED MOTOR

SPEAKER-5.25, WATERPROOF
171547-01-CHT (2)
SCREW
G11-08-12U (8)

TAPES (2)
(400MM)

6 PIN HOUSING
TO RIGHT MIRROR

3, 4, & 6 PIN HOUSINGS
TO LEVELING SYSTEM CONTROLS

FEMALE TERMINALS
TO JACKS DOWN LAMP

SWITCHES
DETAIL CA

BREAKER PANEL
DETAIL BA

12 PIN HSG
TO WIRE
ASM-CHASSIS

5 ROUTE WIRE ASM-GPS TRANSMITTER
ALONG WITH WIRE ASM-IP MAIN FROM
BEHIND BREAKER PANEL UP A-PILLAR
TO SIDE COMPARTMENT BY LOFT BED
RELAYS.

4 WIRE ASM-GPS TRANSMITTER CONNECTS TO
WIRE ASM-IP, MAIN IN THIS AREA.

3 CUT VISOR WIRING TO 300 MM BEFORE CONNECTING.

2 USE TAPE 8363-03-000 TO SECURE WIRES IN A-POST.

1. WINNEBAGO WIRE ASSEMBLIES ARE SHOWN FOR CLARITY.

NOTES:

- 65Q RENTAL - APOLLO
- 265 CODES/STANDARDS-CSA/CMVSS
- 1B1 CODES/STANDARDS USA

1B1 265



DSNR:		ALL DIMENSIONS ARE IN MILLIMETERS	
DIFFR:		MATERIAL:	
UNSPECIFIED TOLERANCES:			
WHOLE DIM (X)	: 3		
ONE-PLACE (X.X)	: 1.5		
TWO-PLACE (X.XX)	: 0.50		
ANGLE	: 1°		
REFER TO ES0018 FOR FASTENER TIGHTENING GUIDELINES		WEIGHT: (LBS)	FIRST USED:
			18 V-SER
DESCRIPTION: WIRING INSTL-FRONT END			
SHEET:	ITEM/PART NO.:	REV:	
1 OF 9	000037330 / 31851201000		
REF:			

FOR ELECTRICAL
TORQUE
SPECIFICATIONS
SEE DWG NO.
128783-01-000

FOR
ELECTRICAL
CALLOUTS
SEE DWG NO.
121339-01-000

8 7 6 5 4 3 2 1

CIRCUIT BREAKER-6 AMP
93654-01-000
SCREW
G52-06-05U
LOCKWASHER
OME02B-04-071

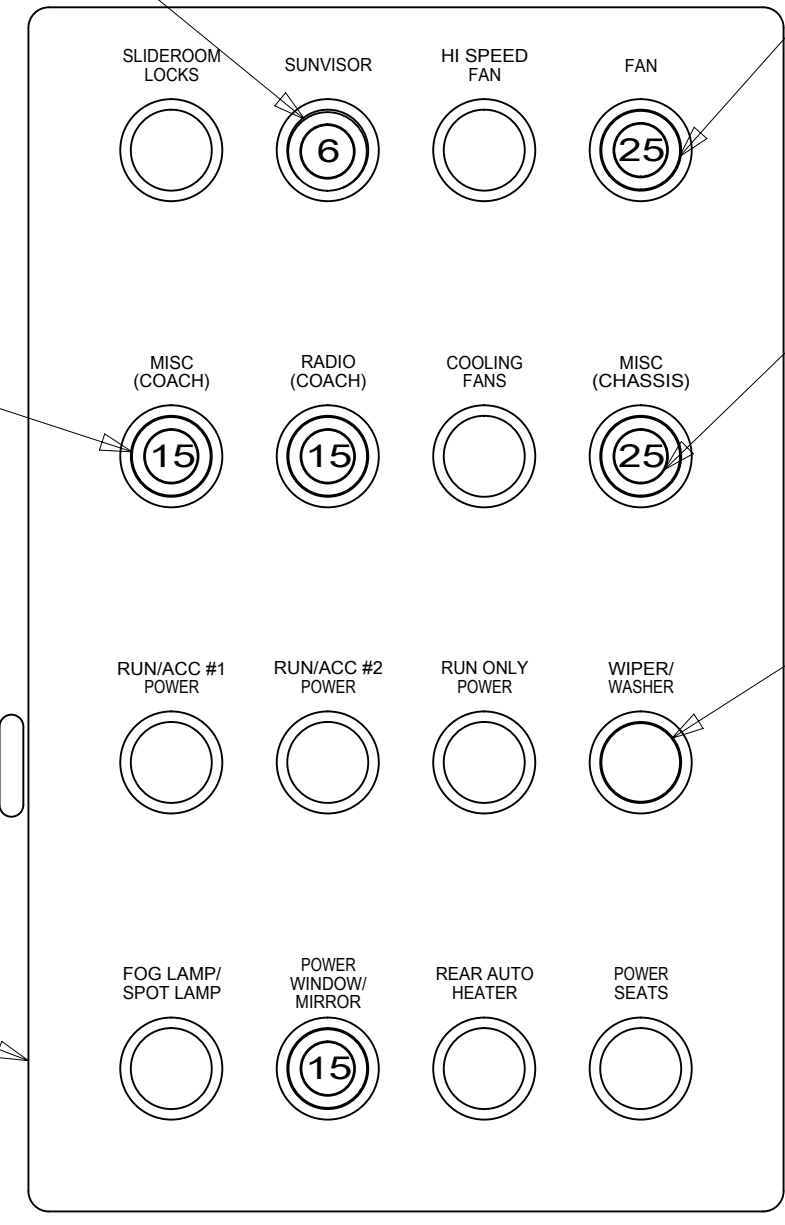
CIRCUIT BREAKER-25 AMP
93655-01-000
SCREW
G52-06-04U
G52-06-05U
LOCKWASHER
OME02B-04-071

CIRCUIT BREAKER-25 AMP
93655-01-000
SCREW
G52-06-04U
G52-06-05U
LOCKWASHER
OME02B-04-071

BREAKER-SELF RESET, 20 AMP
182283-01-000
SCREW
G52-06-04U
WASHER-LOCK
OME02B-04-071

CIRCUIT BREAKER-15 AMP
93654-02-000 (3)
SCREW
G52-06-05U (3)

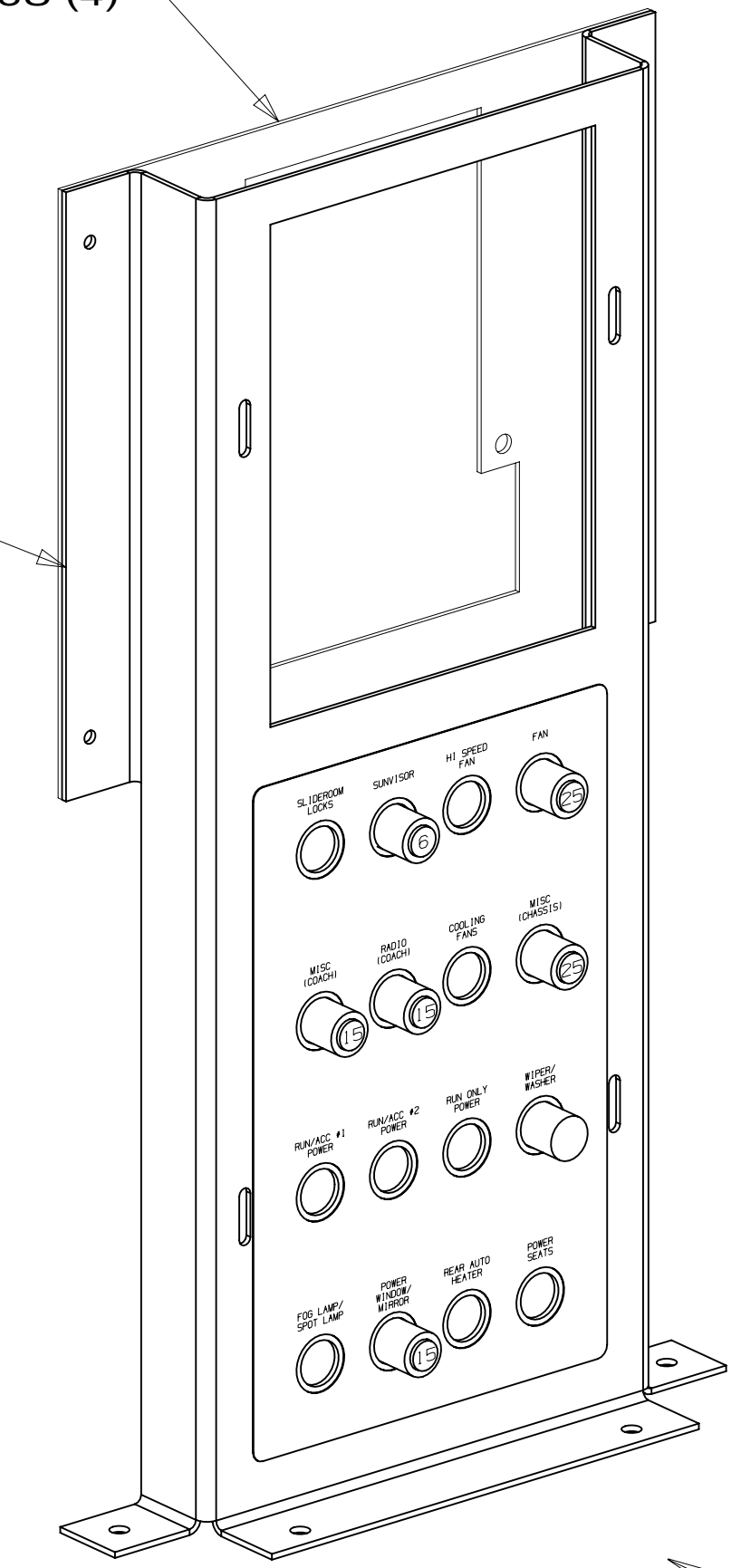
LABEL-CIRCUIT BREAKER
93236-66-000



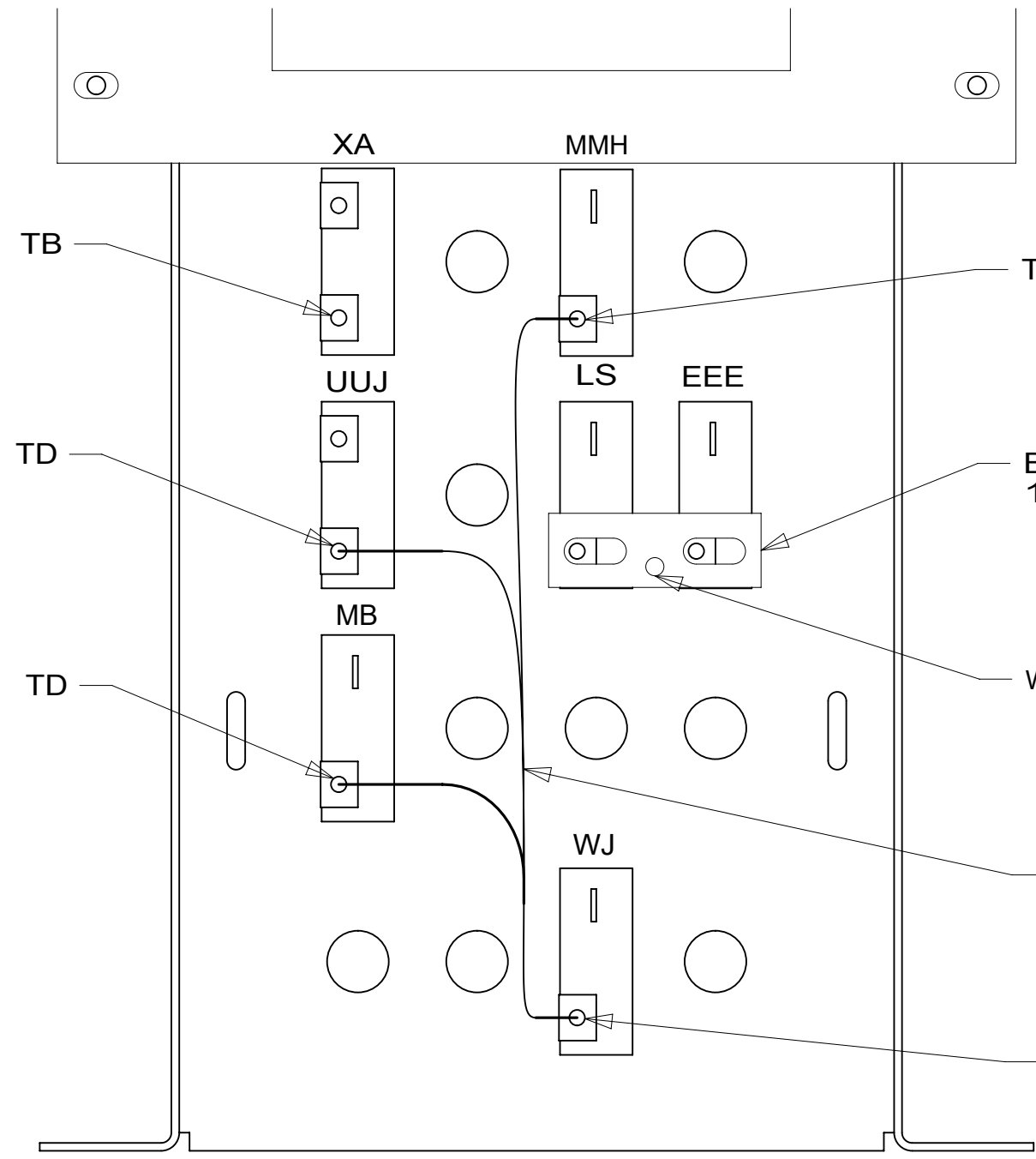
VIEW BB

BRACKET-FUSE PANEL
149690-02-CHT
SCREW
000G11-10-08U (4)

BRACKET-CIRCUIT BREAKER
149689-01-CHT
SCREW
000G11-10-08U (4)



DETAIL BA



VIEW BC

NOTES:
1 ALL CIRCUITS ARE IN WIRE ASM-IP,MAIN.

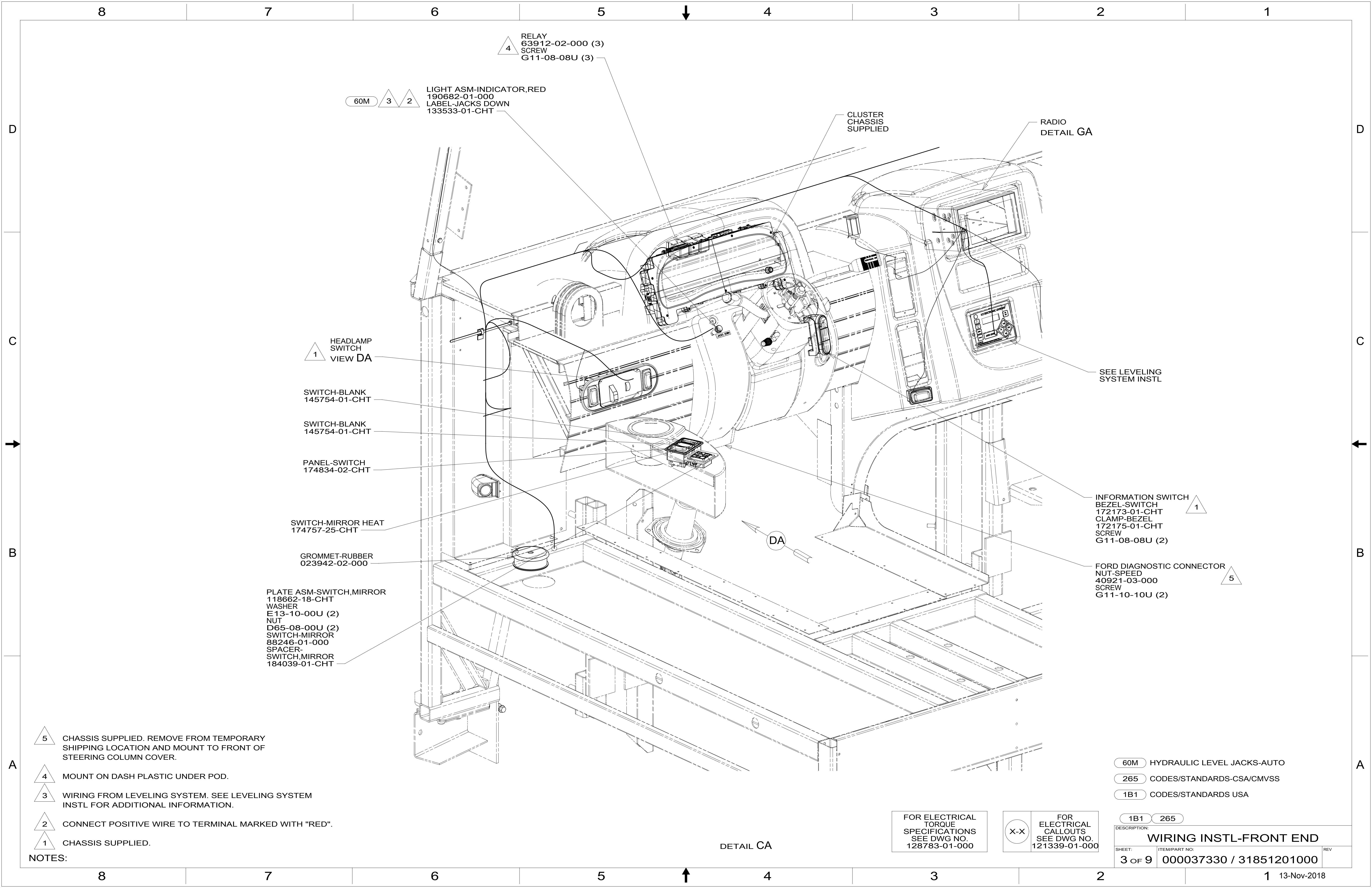
FOR ELECTRICAL TORQUE SPECIFICATIONS SEE DWG NO. 128783-01-000

FOR ELECTRICAL CALLOUTS SEE DWG NO. 121339-01-000

265 CODES/STANDARDS-CSA/CMVSS
1B1 CODES/STANDARDS USA

1B1	265
DESCRIPTION: WIRING INSTL-FRONT END	
SHEET: 2 OF 9	ITEM/PART NO: 000037330 / 31851201000
REV 1 13-Nov-2018	

8 7 6 5 4 3 2 1



4 RELAY
63912-02-000 (3)
SCREW
G11-08-08U (3)

60M 3 2 LIGHT ASM-INDICATOR,RED
190682-01-000
LABEL-JACKS DOWN
133533-01-CHT

CLUSTER
CHASSIS
SUPPLIED

RADIO
DETAIL GA

1 HEADLAMP
SWITCH
VIEW DA

SWITCH-BLANK
145754-01-CHT

SWITCH-BLANK
145754-01-CHT

PANEL-SWITCH
174834-02-CHT

SWITCH-MIRROR HEAT
174757-25-CHT

GROMMET-RUBBER
023942-02-000

PLATE ASM-SWITCH,MIRROR
118662-18-CHT
WASHER
E13-10-00U (2)
NUT
D65-08-00U (2)
SWITCH-MIRROR
88246-01-000
SPACER-
SWITCH,MIRROR
184039-01-CHT

SEE LEVELING
SYSTEM INSTL

1 INFORMATION SWITCH
BEZEL-SWITCH
172173-01-CHT
CLAMP-BEZEL
172175-01-CHT
SCREW
G11-08-08U (2)

5 FORD DIAGNOSTIC CONNECTOR
NUT-SPEED
40921-03-000
SCREW
G11-10-10U (2)

5 CHASSIS SUPPLIED. REMOVE FROM TEMPORARY SHIPPING LOCATION AND MOUNT TO FRONT OF STEERING COLUMN COVER.

4 MOUNT ON DASH PLASTIC UNDER POD.

3 WIRING FROM LEVELING SYSTEM. SEE LEVELING SYSTEM INSTL FOR ADDITIONAL INFORMATION.

2 CONNECT POSITIVE WIRE TO TERMINAL MARKED WITH "RED".

1 CHASSIS SUPPLIED.

NOTES:

- 60M HYDRAULIC LEVEL JACKS-AUTO
- 265 CODES/STANDARDS-CSA/CMVSS
- 1B1 CODES/STANDARDS USA

FOR ELECTRICAL TORQUE SPECIFICATIONS SEE DWG NO. 128783-01-000

X-X FOR ELECTRICAL CALLOUTS SEE DWG NO. 121339-01-000

DESCRIPTION:	
WIRING INSTL-FRONT END	
SHEET:	ITEM/PART NO. REV
3 OF 9	000037330 / 31851201000

DETAIL CA

8 7 6 5 4 3 2 1

D

D

C

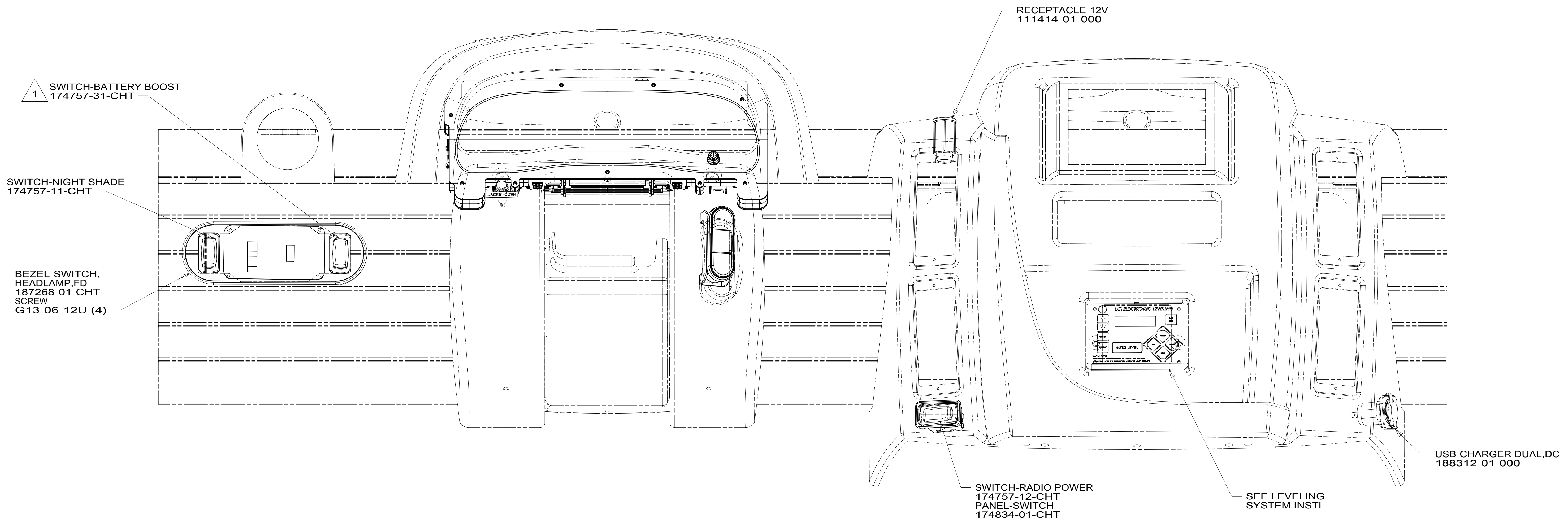
C

B

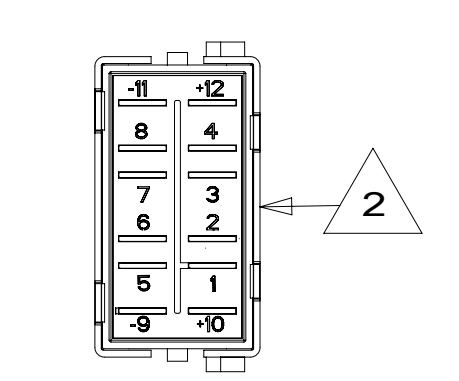
B

A

A



VIEW DA



DETAIL DB (MOUNTED VERTICALLY)

- NOTES:
- 3 DETAIL IS LOOKING AT SWITCH FROM THE BACK SIDE OF SWITCH AS ITS INSTALLED.
 - 2 WITH SWITCH INSTALLED THIS SIDE OF SWITCH WILL FACE LEFT SIDEWALL.
 - 1 SEE DETAIL DB FOR ORIENTATION.

FOR ELECTRICAL TORQUE SPECIFICATIONS SEE DWG NO. 128783-01-000

FOR ELECTRICAL CALLOUTS SEE DWG NO. 121339-01-000

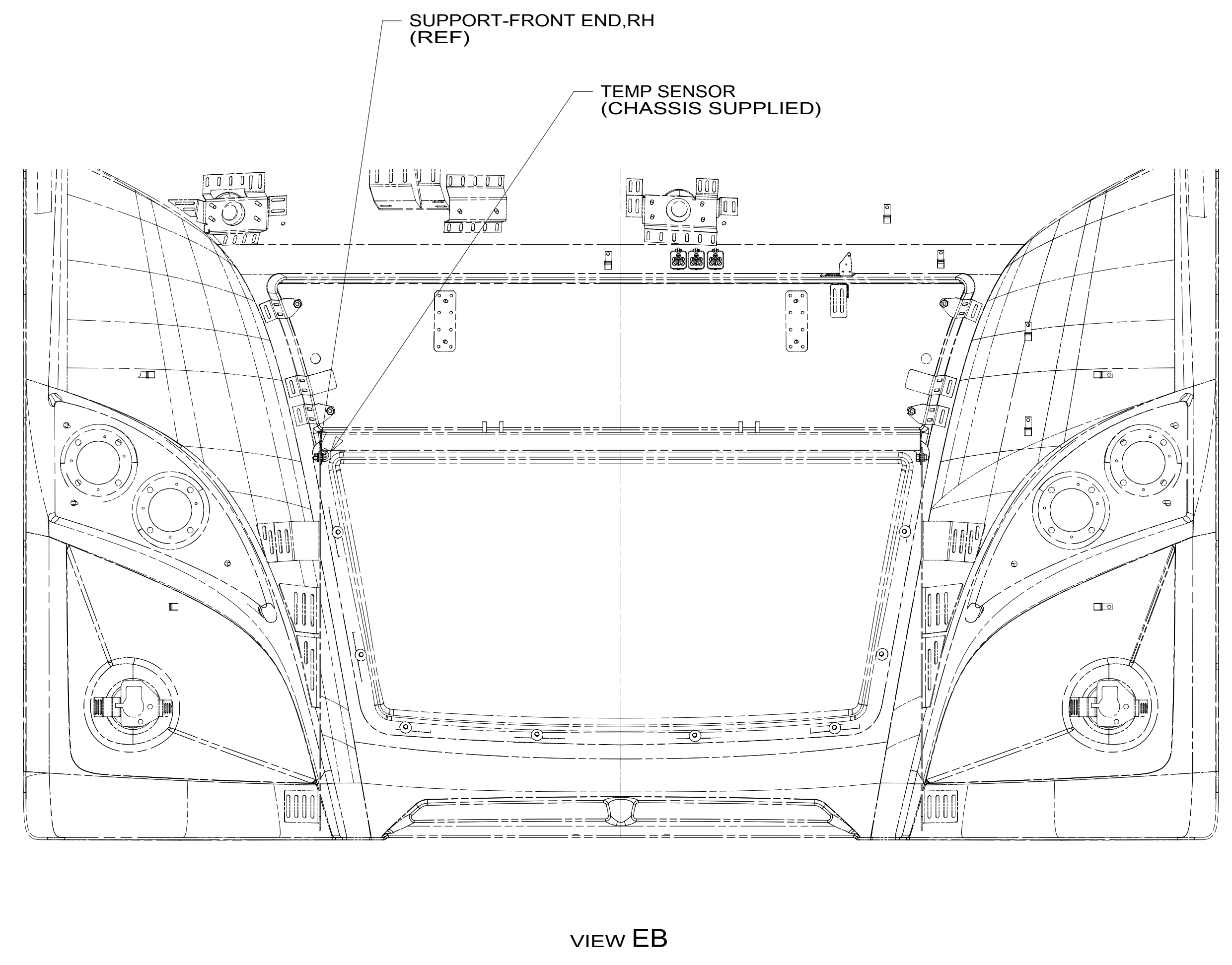
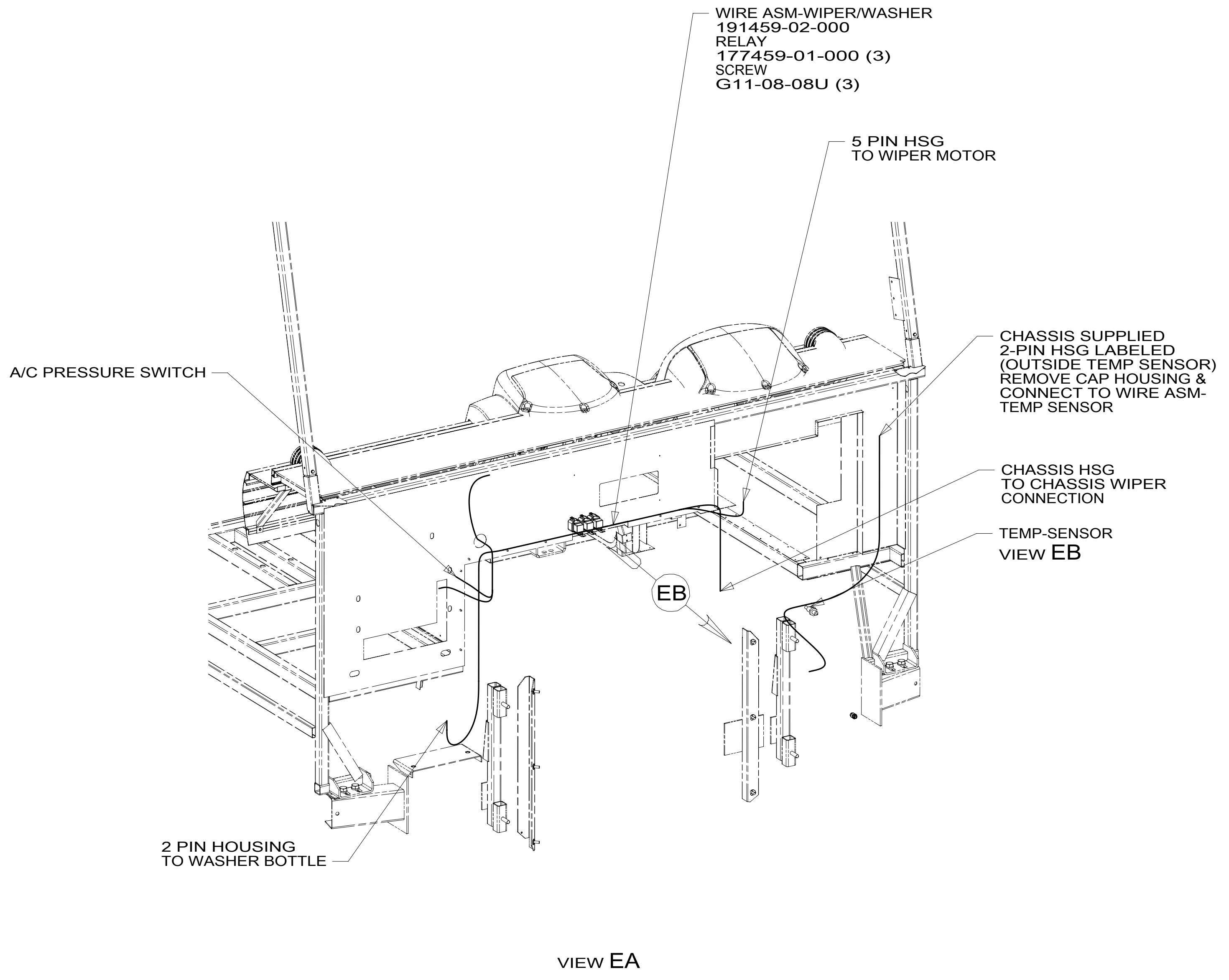
- 265 CODES/STANDARDS-CSA/CMVSS
- 1B1 CODES/STANDARDS USA

DESCRIPTION:		1B1 265
WIRING INSTL-FRONT END		
SHEET:	ITEM/PART NO.:	REV
4 OF 9	000037330 / 31851201000	

8 7 6 5 4 3 2 1 13-Nov-2018

8 7 6 5 4 3 2 1

D
C
B
A



NOTES:

1. GATHER ALL EXCESS WIRE AFTER MAKING ALL CONNECTIONS.
BUNDLE AND SECURE WITH WIRE TIE 8343-01-000 OR 93147-01-000.

FOR ELECTRICAL
TORQUE
SPECIFICATIONS
SEE DWG NO.
128783-01-000

FOR
ELECTRICAL
CALLOUTS
SEE DWG NO.
121339-01-000

265 CODES/STANDARDS-CSA/CMVSS
1B1 CODES/STANDARDS USA

DESCRIPTION:		1B1 265
WIRING INSTL-FRONT END		
SHEET:	ITEM/PART NO.:	REV
5 OF 9	000037330 / 31851201000	

8 7 6 5 4 3 2 1 13-Nov-2018

8

7

6

5



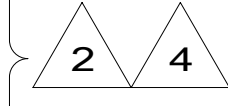
4

3

2




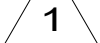
1

ANTENNA-RADIO
 90944-02-000
 CABLE ASM-ANTENNA
 90944-03-000
 BRACKET-ANTENNA
 115916-01-CHT
 SCREW
 G39-08-08U (2)



CAMERA-SIDE, RIGHT, WHITE
 000156666 / 324903-02-000

CAMERA-SIDE, LEFT, WHITE
 000156665 / 324902-02-000

- NOTES:
-  USE HOLE IN BRACKET AS GUIDE TO DRILL 13 MM DIAMETER HOLE IN FIBERGLASS.
 -  TO RADIO.
 -  SEAL AROUND ANTENNA BASE.
 -  ROUTE CABLES ALONG A-POST, UNDER TRIM COVER.

FOR ELECTRICAL TORQUE SPECIFICATIONS SEE DWG NO. 128783-01-000

FOR ELECTRICAL CALLOUTS SEE DWG NO. 121339-01-000

265 CODES/STANDARDS-CSA/CMVSS
 1B1 CODES/STANDARDS USA

DESCRIPTION:	
WIRING INSTL-FRONT END	
SHEET:	ITEM/PART NO:
6 OF 9	000037330 / 31851201000
REV	

8

7

6

5



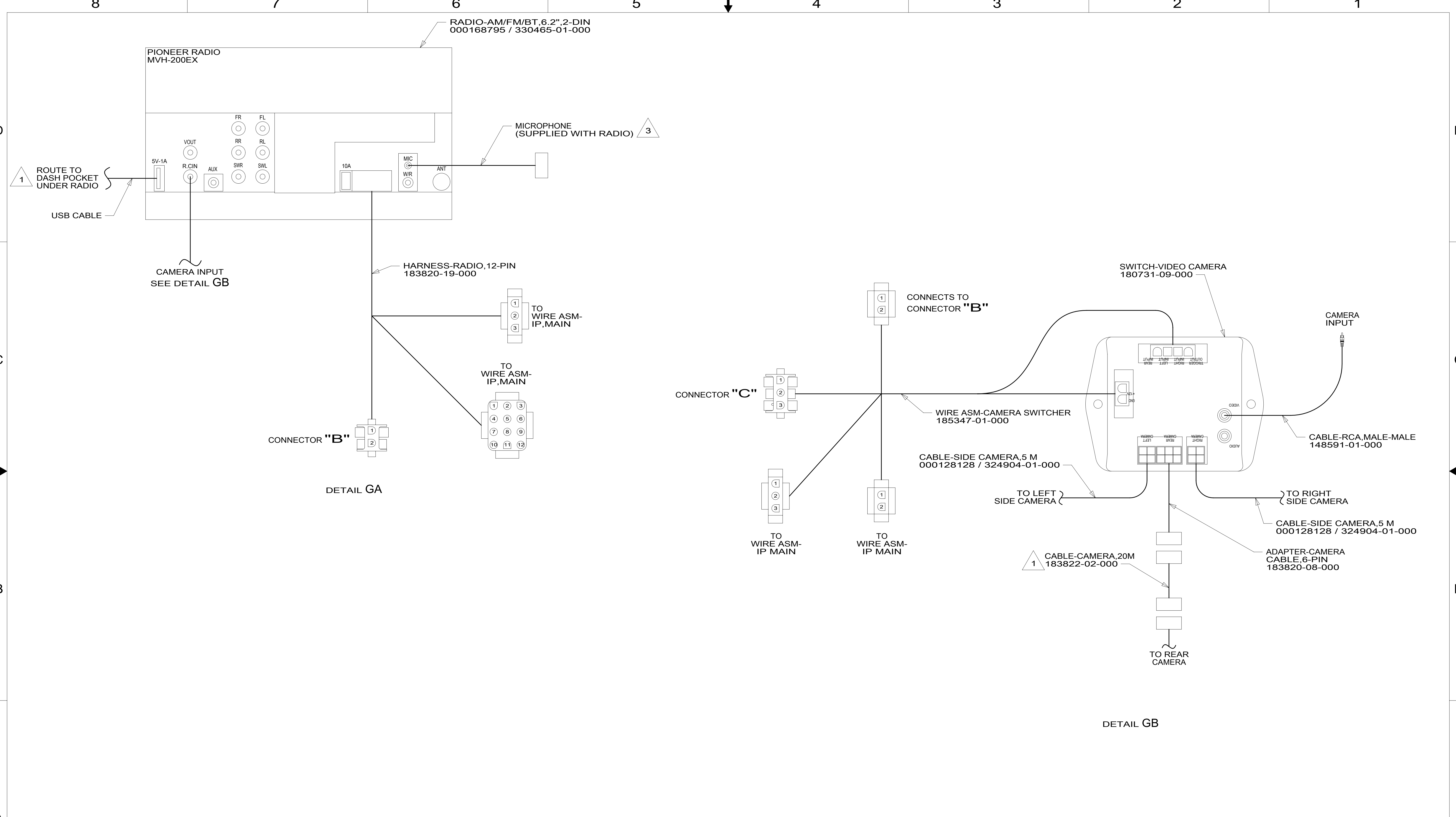
4

3

2

1

13-Nov-2018



- 3 ROUTE MICROPHONE CABLE TO POCKET LOCATED BELOW RADIO.
- 2 CABLE ROUTED FROM ROOF, DOWN LEFT 'A' PILLAR, TO RADIO.
- 1 WIRE TIE EXCESS CABLE UNDER DASH LEAVING 200 MM EXTENDING INTO POCKET IN DASH.

NOTES:

265 CODES/STANDARDS-CSA/CMVSS
 1B1 CODES/STANDARDS USA

FOR ELECTRICAL TORQUE SPECIFICATIONS SEE DWG NO. 128783-01-000

FOR ELECTRICAL CALLOUTS SEE DWG NO. 121339-01-000

DESCRIPTION: WIRING INSTL-FRONT END		
SHEET: 7 OF 9	ITEM/PART NO: 000037330 / 31851201000	REV

8

7

6

5

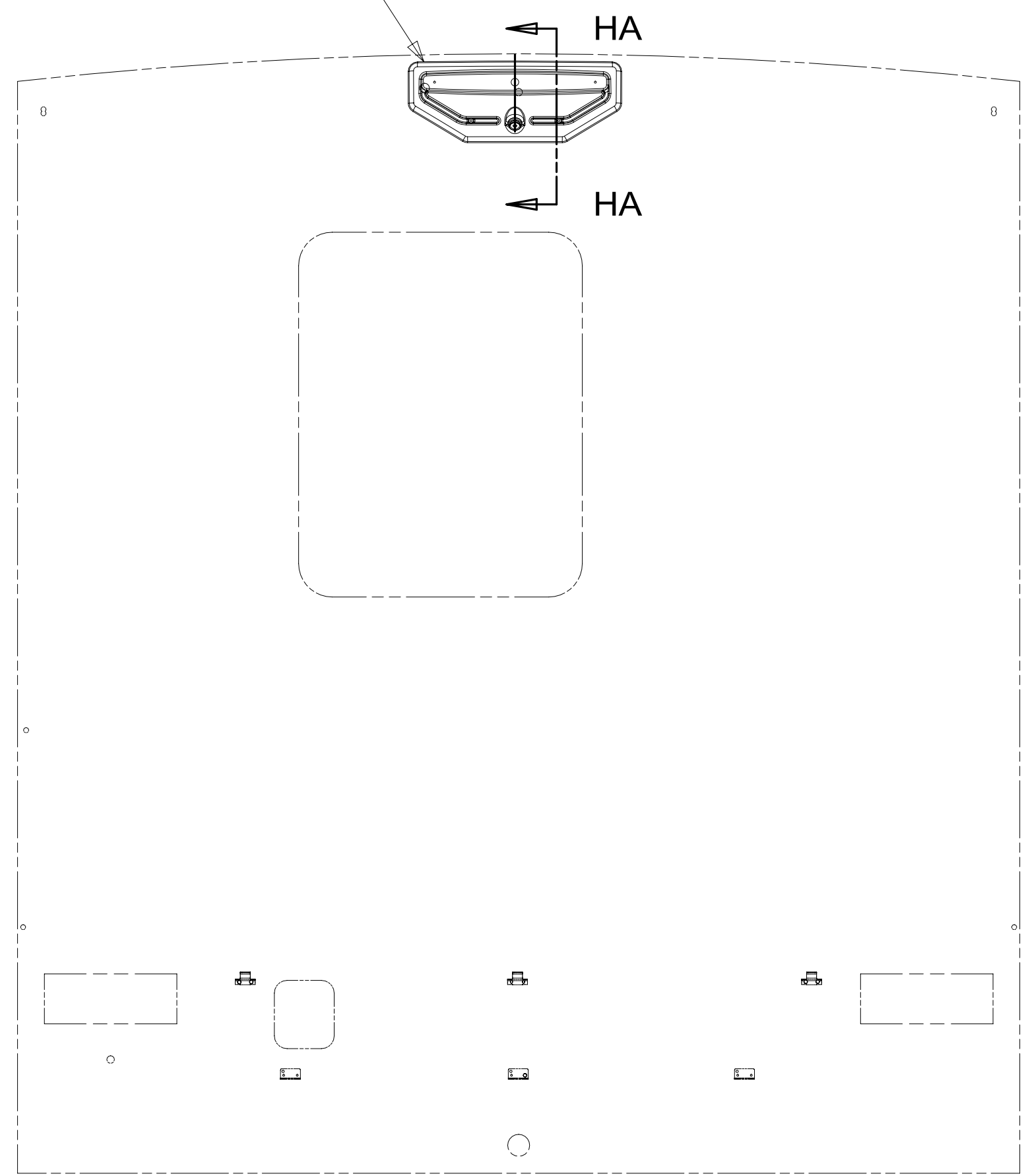
4

3

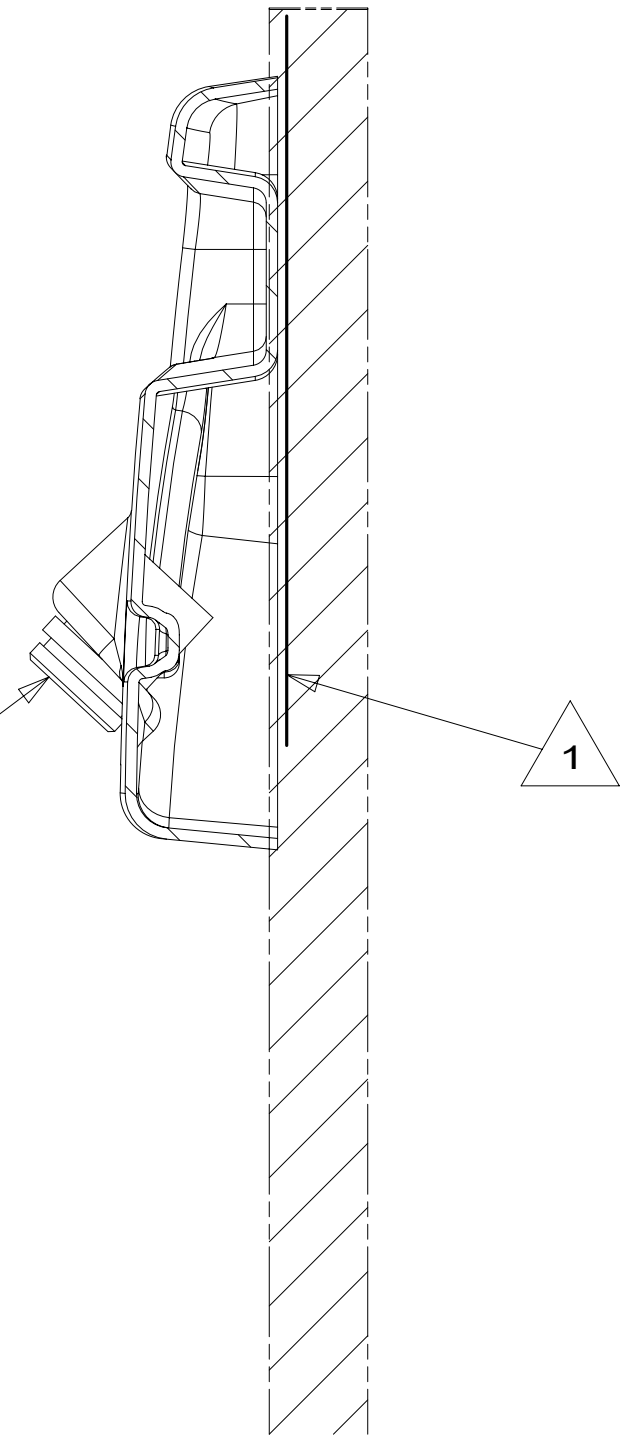
2

1

TRIM-BACKWALL, BACK UP CAMERA
 000110077 / 321532-01-CHT
 SCREW
 G11-08-24U (2)



CAMERA-BULLET
 000111674 / 322451-01-000



SECTION HA-HA

1 ROUTE CABLE ATTACHED TO CAMERA THROUGH PATH IN BACKWALL. ATTACH TO CABLE IN ROOF, COIL EXCESS CABLE BACK INTO POCKET IN ROOF.

NOTES:

FOR ELECTRICAL TORQUE SPECIFICATIONS SEE DWG NO. 128783-01-000

FOR ELECTRICAL CALLOUTS SEE DWG NO. 121339-01-000

265 CODES/STANDARDS-CSA/CMVSS

1B1 CODES/STANDARDS USA

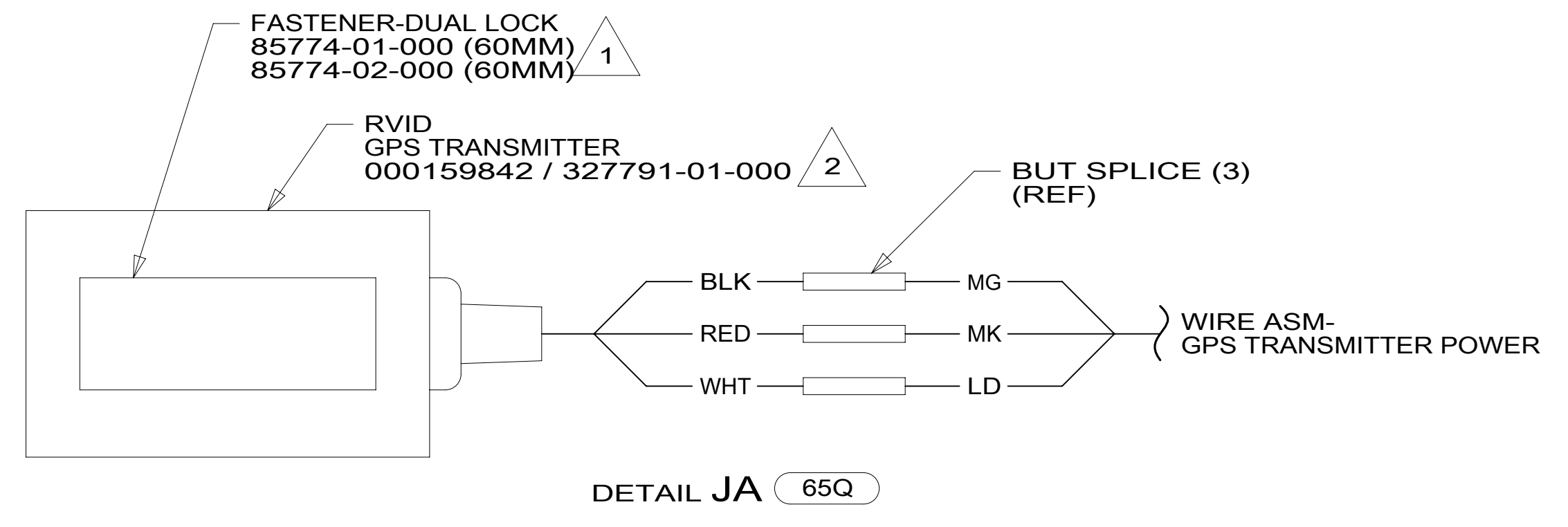
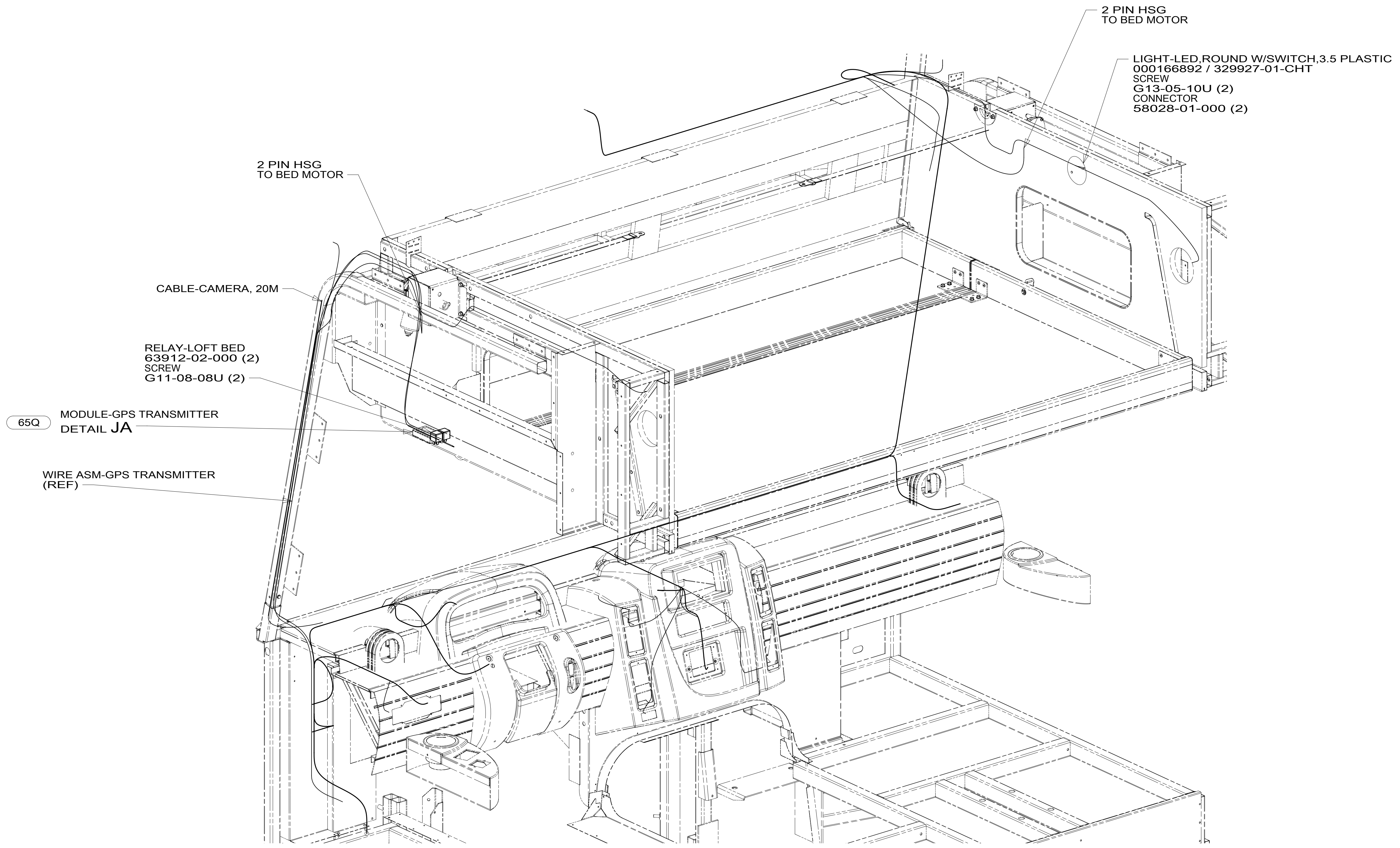
1B1 265

DESCRIPTION: WIRING INSTL-FRONT END

SHEET: 8 OF 9 ITEM/PART NO: 000037330 / 31851201000 REV

8 7 6 5 4 3 2 1

D
C
B
A



NOTES:

2 LABEL ON TRANSMITTER MUST FACE UPWARD.

1 ATTACH DUAL LOCK TO BOTTOM OF MODULE AND ATTACH TO BOTTOM OF SIDE OVERHEAD BY RELAYS.

FOR ELECTRICAL TORQUE SPECIFICATIONS SEE DWG NO. 128783-01-000

FOR ELECTRICAL CALLOUTS SEE DWG NO. 121339-01-000

65Q RENTAL - APOLLO
265 CODES/STANDARDS-CSA/CMVSS
1B1 CODES/STANDARDS USA

DESCRIPTION:		1B1 265
WIRING INSTL-FRONT END		
SHEET:	ITEM/PART NO.:	REV
9 OF 9	000037330 / 31851201000	

8 7 6 5 4 3 2 1 13-Nov-2018