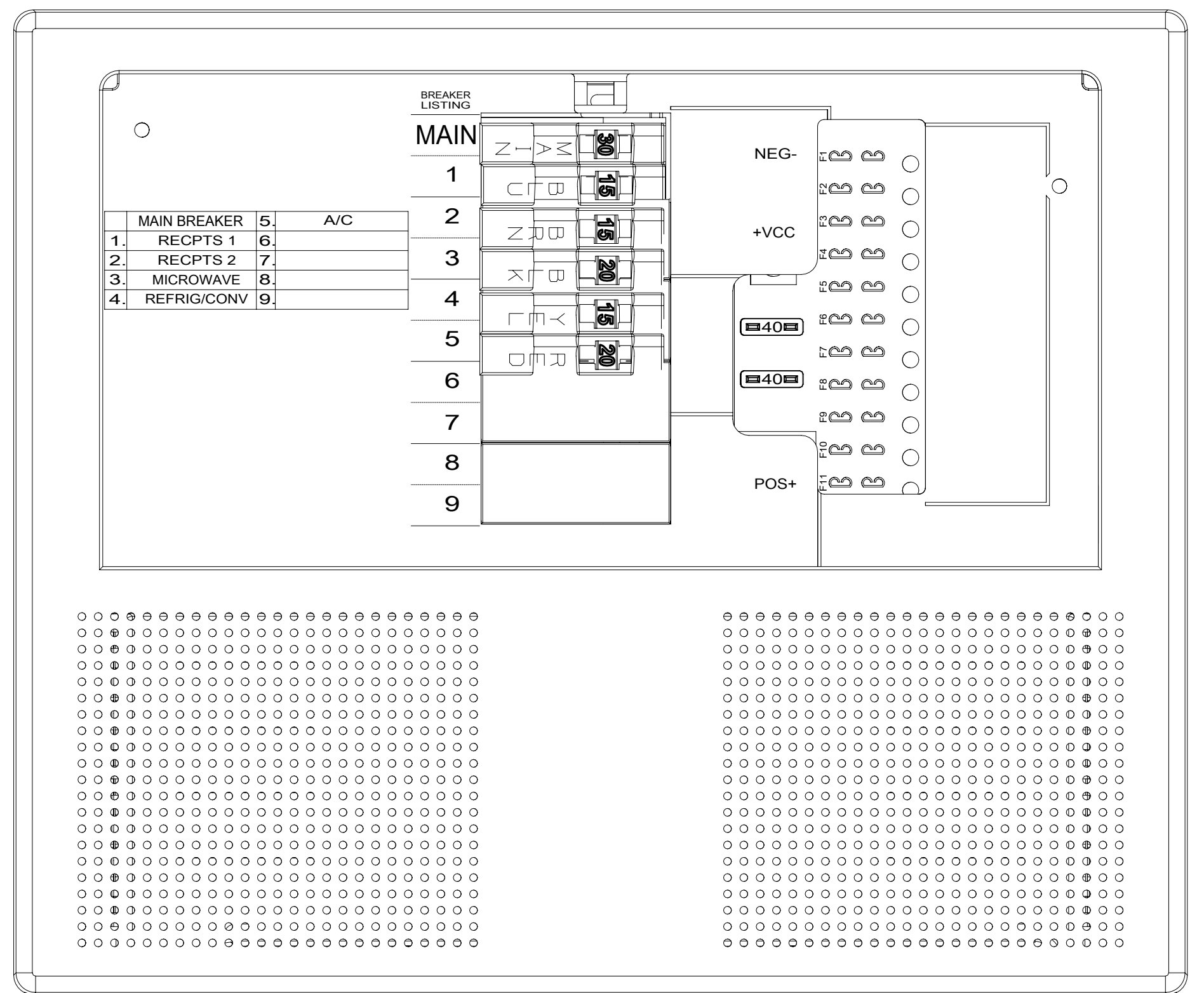
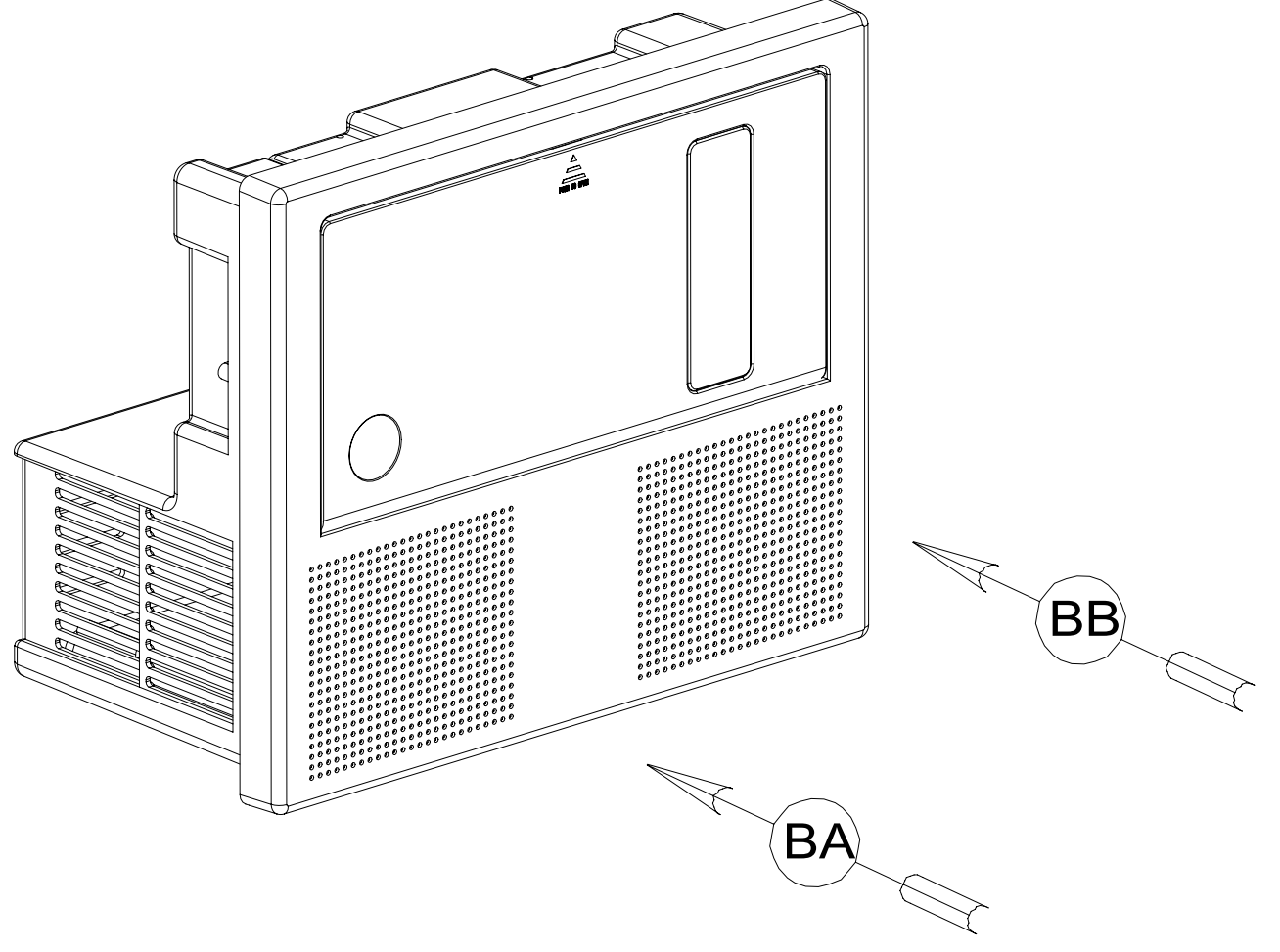
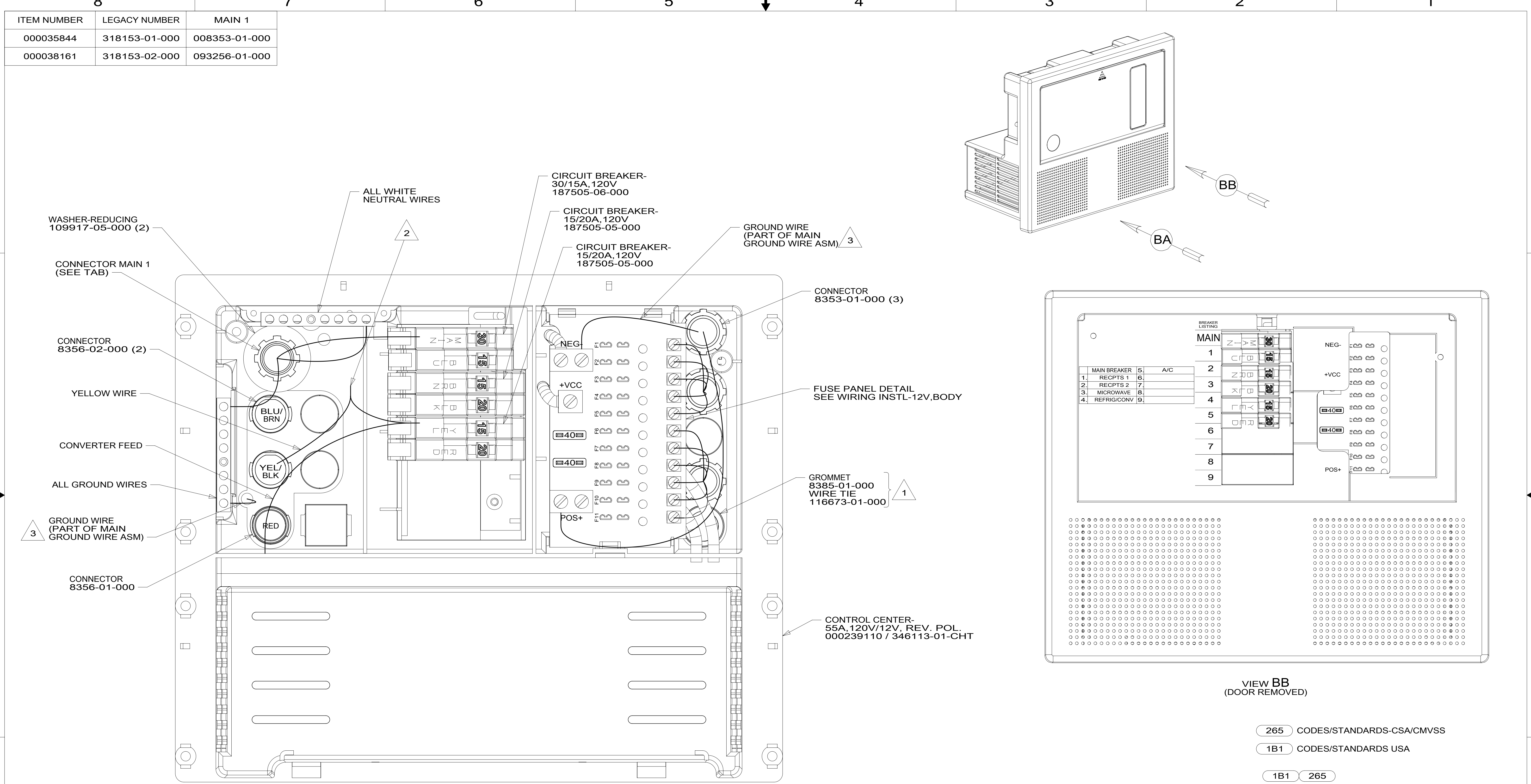


ITEM NUMBER	LEGACY NUMBER	MAIN 1
000035844	318153-01-000	008353-01-000
000038161	318153-02-000	093256-01-000



VIEW BA
(COVER REMOVED)

VIEW BB
(DOOR REMOVED)

- NOTES:
- 3 SEE WIRING INSTL-BODY, 110V FOR ADDITIONAL INFORMATION.
 - 2 CONNECT CONVERTER POWER CIRCUIT INTO YELLOW BREAKER USE SUPPLIED WIRE NUT TO CONNECT TO YELLOW CIRCUIT WIRE.
 - 1 INSERT GROMMET FROM THE INSIDE OF CONTROL CENTER. SECURE 110V WIRES TO BACKSIDE OF CONTROL CENTER WITH WIRE TIE.

FOR ELECTRICAL TORQUE SPECIFICATIONS SEE DWG NO. 128783-01-000

FOR ELECTRICAL CALLOUTS SEE DWG NO. 121339-01-000

- 265 CODES/STANDARDS-CSA/CMVSS
- 1B1 CODES/STANDARDS USA
- 1B1 265

WINNEBAGO
COPYRIGHT 2016 WINNEBAGO INDUSTRIES, INC.

DSNR:	ALL DIMENSIONS ARE IN MILLIMETERS	
DIFFR:		
UNSPECIFIED TOLERANCES:	MATERIAL:	
WHOLE DIM (X) :	3	
ONE-PLACE (X.X) :	1.5	
TWO-PLACE (X.XX) :	0.50	
ANGLE :	1°	
REFER TO ES0018 FOR FASTENER TIGHTENING GUIDELINES	WEIGHT: (LBS)	FIRST USED:
		18 300-SER
DESCRIPTION: LOAD CENTER ASM		
SHEET: 1 OF 1	ITEM/PART NO: 000035833 / 31815300T01	REV:
REF:		1 27-Feb-2021