

LEFT SIDEWALL
(REF)

RIGHT SIDEWALL
(REF)

EXTERIOR TV ASM-40 W/SB
000037031 / 318431-01-XXX 1DF

CA

BA

X-X

FOR ELECTRICAL
TORQUE
SPECIFICATIONS
SEE DWG NO.
128783-01-000

FOR
ELECTRICAL
CALLOUTS
SEE DWG NO.
121339-01-000

1DF EXT TV ENTERTAINMENT CENTER

265 CODES/STANDARDS-CSA/CMVSS

1B1 CODES/STANDARDS USA

1B1 265



DSNR:		ALL DIMENSIONS ARE IN MILLIMETERS	
DFFR:		MATERIAL:	
UNSPECIFIED TOLERANCES:			
WHOLE DIM (X)	: 3		
ONE-PLACE (X.X)	: 1.5		
TWO-PLACE (X.XX)	: 0.50		
ANGLE	: 1°		

REFER TO ES0018 FOR FASTENER
TIGHTENING GUIDELINES

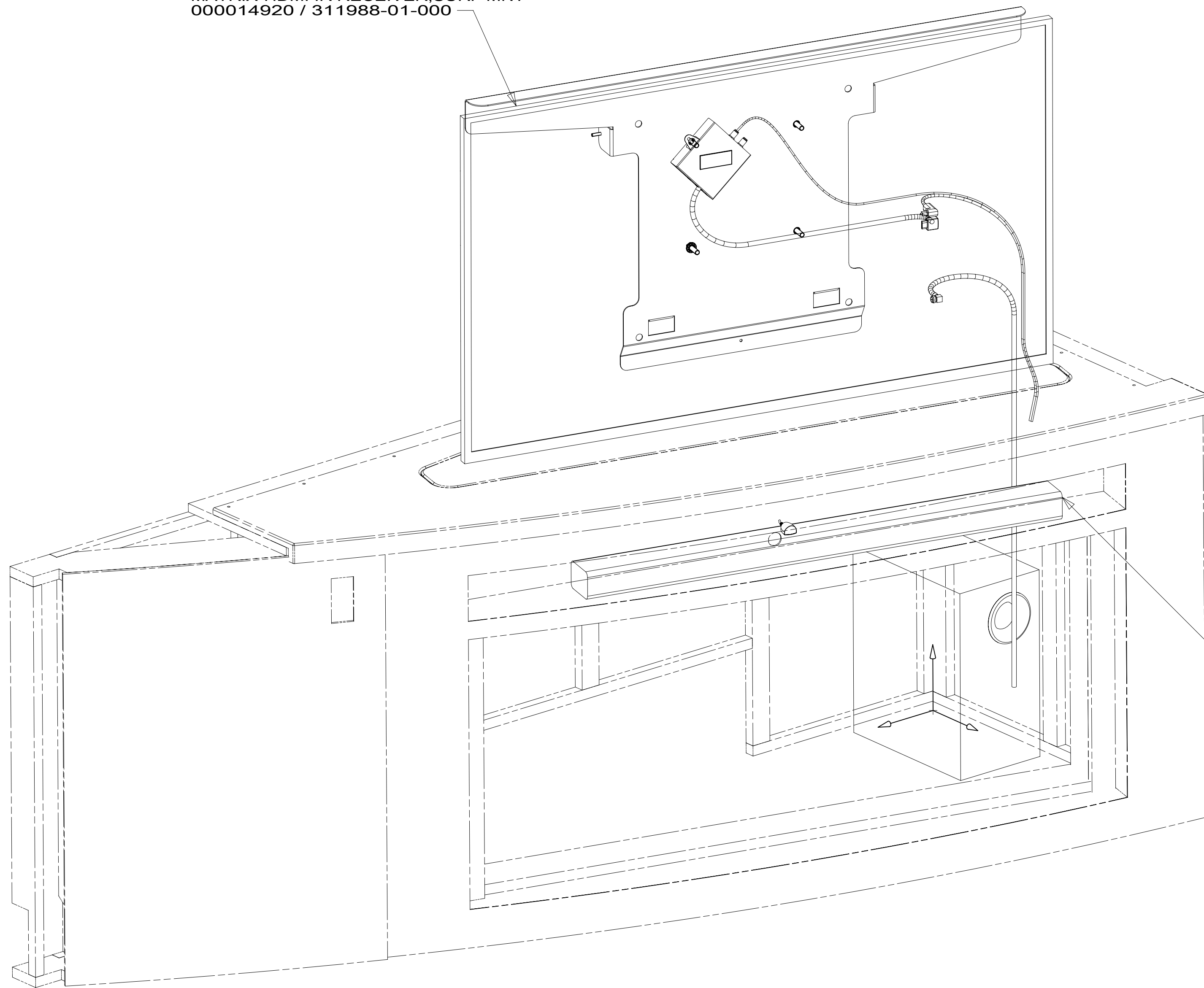
WEIGHT: (LBS) FIRST USED:
18 P42Q

DESCRIPTION:
WIRING INSTL-AV, COACH

SHEET: 1 OF 3 ITEM/PART NO: 000034946 / 31792801000 REV

REF: 1 04-Feb-2019

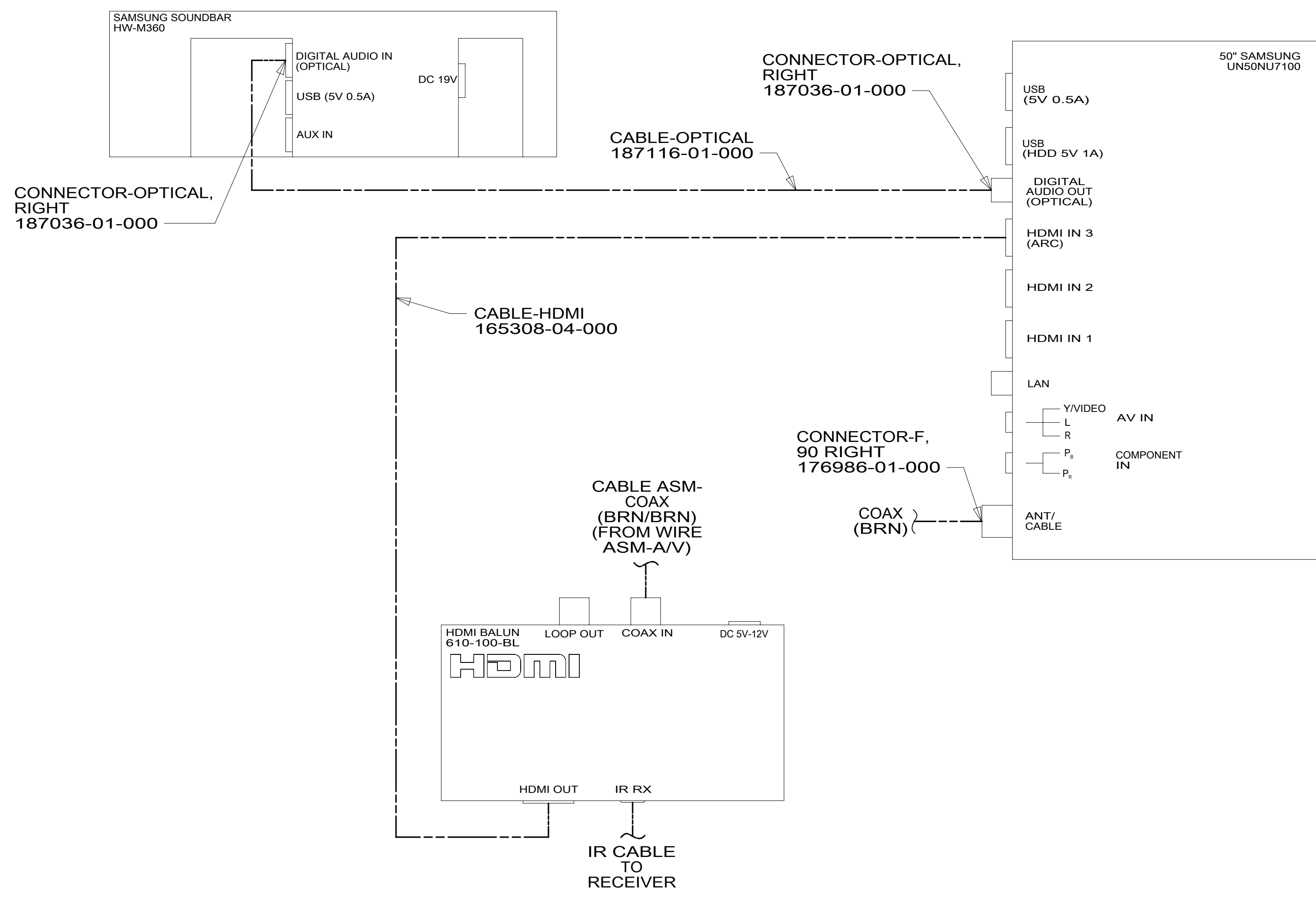
TV-50 UHD, SAMSUNG
 000170003 / 330886-01-000
 BRACKET-TV,50" SAMSUNG
 000046956 / 321788-01-CHT
 BOLT
 OMC31K-08-025 (4)
 WASHER
 156569-01-CHT (4)
 SCREW
 000G39-10-12U (2)
 MATRIX-HDMI,BALUN,COAX
 000014919 / 311989-01-000
 ANGLE-FORMED W/NOTCH
 000024078 / 314919-01-CHT
 SCREW
 OMG02U-03-008 (2)
 TAPE
 076322-23-000 (60 MM)
 MATRIX-HDMI IR RECEIVER,SURF MNT
 000014920 / 311988-01-000



VIEW BA

SPEAKER-SOUNDBAR, WIRELESS SUB, SAMSUNG
 000170008 / 330888-01-000
 FASTENER-DUAL LOCK
 085774-01-000 (50 MM)(2)
 085774-02-000 (50 MM)(2)

25N



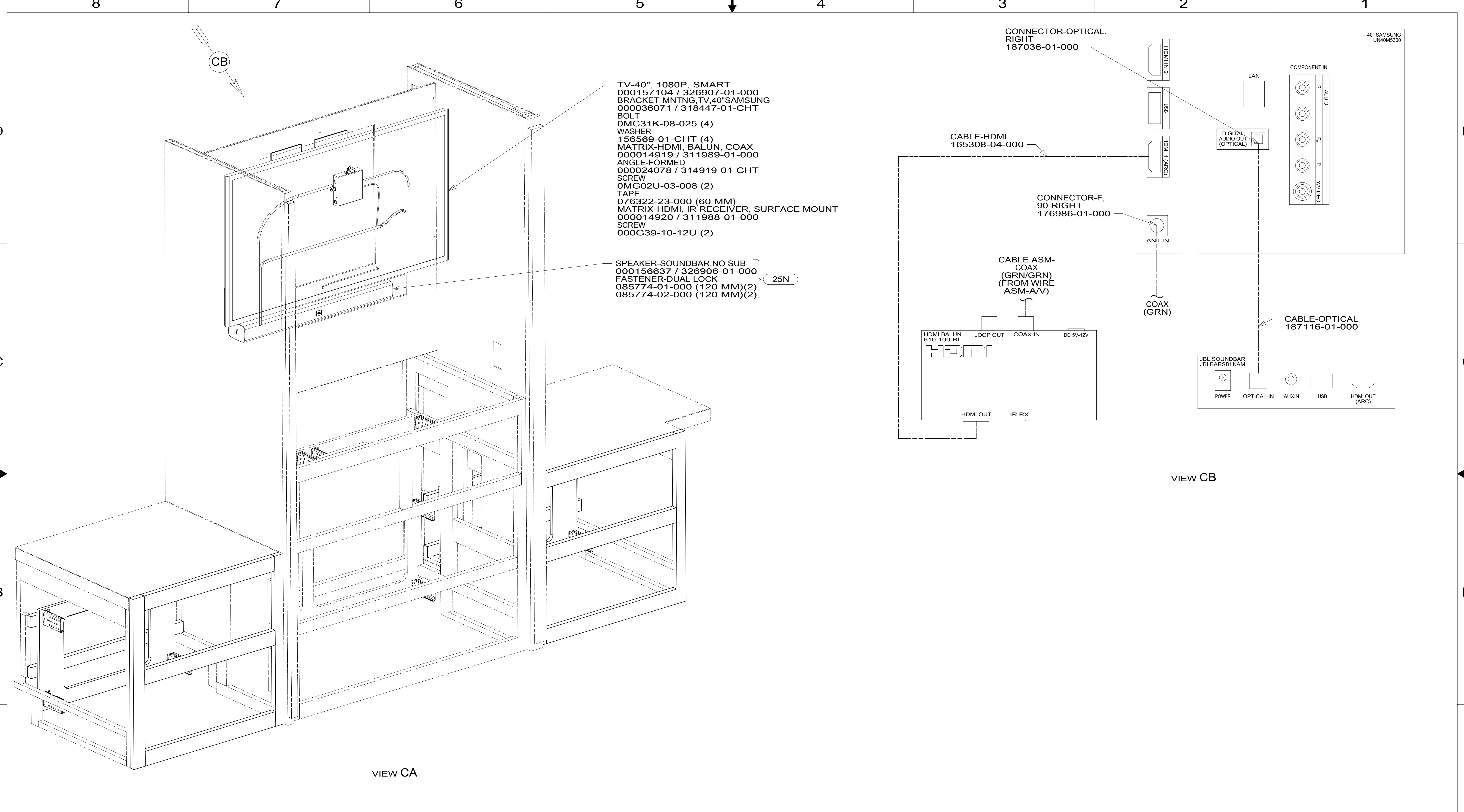
VIEW BB

- 25N HOME THEATER SOUNDBAR SYSTEM
- 265 CODES/STANDARDS-CSA/CMVSS
- 1B1 CODES/STANDARDS USA

FOR ELECTRICAL TORQUE SPECIFICATIONS SEE DWG NO. 128783-01-000

FOR ELECTRICAL CALLOUTS SEE DWG NO. 121339-01-000

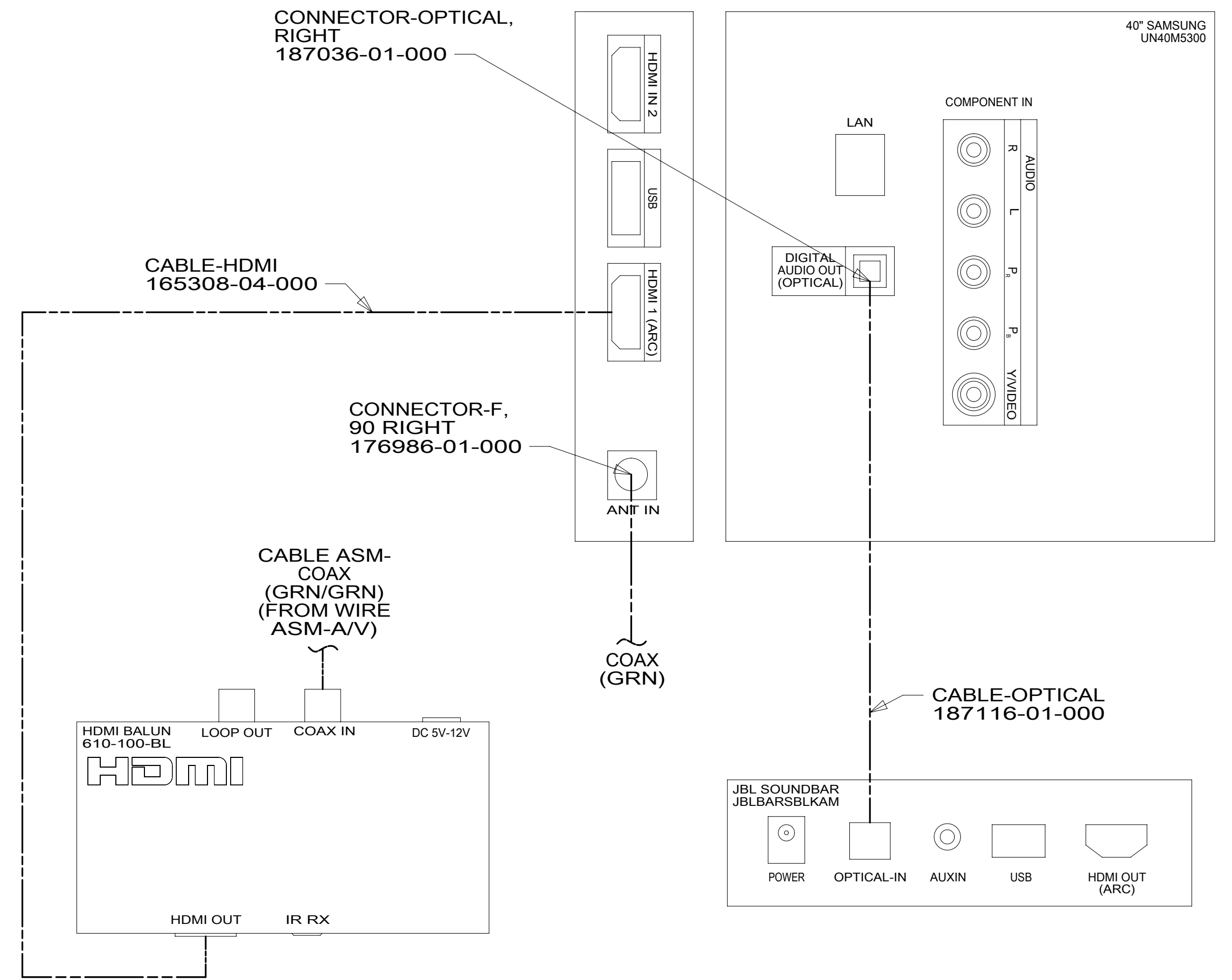
DESCRIPTION:	
1B1 265	
WIRING INSTL-AV, COACH	
SHEET:	ITEM/PART NO. REV
2 OF 3	000034946 / 31792801000



TV-40", 1080P, SMART
 000157104 / 326907-01-000
 BRACKET-MNTNG,TV,40"SAMSUNG
 000036071 / 318447-01-CHT
 BOLT
 OMC31K-08-025 (4)
 WASHER
 156569-01-CHT (4)
 MATRIX-HDMI, BALUN, COAX
 000014919 / 311989-01-000
 ANGLE-FORMED
 000024078 / 314919-01-CHT
 SCREW
 OMG02U-03-008 (2)
 TAPE
 076322-23-000 (60 MM)
 MATRIX-HDMI, IR RECEIVER, SURFACE MOUNT
 000014920 / 311988-01-000
 SCREW
 000G39-10-12U (2)

SPEAKER-SOUNDBAR,NO SUB
 000156637 / 326906-01-000
 FASTENER-DUAL LOCK
 085774-01-000 (120 MM)(2)
 085774-02-000 (120 MM)(2)

25N



VIEW CB

VIEW CA

2 CLEAN AND APPLY ADHESIVE PROMOTER 87211-01-000 TO BOTH SURFACES AND BOND WHERE TOP FLANGE OF BRACKET CONTACTS PLASTIC TV BEZEL.

1 SEE WIRING INSTL-BODY, 12V FOR ADDITIONAL INFORMATION.

NOTES:

FOR ELECTRICAL TORQUE SPECIFICATIONS SEE DWG NO. 128783-01-000

FOR ELECTRICAL CALLOUTS SEE DWG NO. 121339-01-000

- 25N HOME THEATER SOUNDBAR SYSTEM
- 265 CODES/STANDARDS-CSA/CMVSS
- 1B1 CODES/STANDARDS USA

DESCRIPTION:		1B1 265	
WIRING INSTL-A/V, COACH			
SHEET:	ITEM/PART NO.:	REV	
3 OF 3	000034946 / 31792801000		