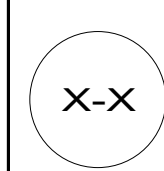
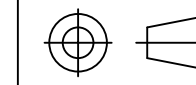


- 10. ROUTE BETWEEN ROTOCAST COMPARTMENT AND INSULATION.
- 9. CONECTS TO DINETTE INSTL-WATER SYSTEM (000153596 / 320511-11-000)
- 8. ADD INSULATION 142676-01-000.
- 7. SECURE VALVE HANDLE W/SILICON.
- 6. PARTS TO BE ASSEMBLED AND ABLE TO BE REMOVED AND STORED AS A SINGLE ASM.
- 5. ALL CRIMP FITTINGS TO 1/2" PEX TUBING REQUIRE 1/2" CLAMP 000156249 / 326670-01-000.
- 4. ALL CRIMP FITTINGS TO 5/8" PEX TUBING REQUIRE 5/8" CLAMP 000156248 / 326669-01-000.
- 3. ALL TUBING TO BE SECURED AT 1200 INTERVALS MAXIMUM WITH CLAMP 010495-01-000 AND SCREW 000G67-10-12U OR EQUIVALENT.
- 2. TUBING TO BE INSTALLED WITH SUFFICIENT SLOPE TO PROVIDE DRAINAGE TO NEAREST VALVE.
- 1. PLASTIC FITTINGS TO BE SEALED WITH SEALANT 084456-01-000.

NOTES:



FOR WATER CALLOUTS SEE DWG NO. 000209446 / 303369-01-000

WINNEBAGO [®]			
COPYRIGHT 2022 WINNEBAGO INDUSTRIES, INC.			
DSNR:		ALL DIMENSIONS ARE IN MILLIMETERS 	
DFTR:		MATERIAL:	
UNSPECIFIED TOLERANCES:			
WHOLE DIM (X)	3		
ONE-PLACE (X.X)	1.5		
TWO-PLACE (X.XX)	0.50		
ANGLE	1°		
REFER TO ES0018 FOR FASTENER TIGHTENING GUIDELINES		WEIGHT: (LBS)	FIRST USED: (REF)
			18 B44E
DESCRIPTION:			
WATER SYSTEM INSTL			
SHEET:	ITEM/PART NO.:	REV:	
1 OF 4	000034635 / 32051101000		
		REF:	1 04-Jul-2022

8 7 6 5 4 3 2 1

PANEL-SHOWER FAUCET
000044241 / 320640-01-CHT
SCREW
000G11-08-12U (4)
COVER-SCREW
166569-01-CHT (4)

FAUCET-SHOWER
000044111 / 320618-01-CHT

PANEL-SHOWER FAUCET
000044241 / 320640-01-CHT
SCREW
000G11-08-12U (4)
COVER-SCREW
166569-01-CHT (4)

FAUCET-SHOWER
000044111 / 320618-01-CHT

SCREW
000G11-08-12U (3)

VALVE-MIXING
000043185 / 320384-01-000

HOSE ASM-SHOWER
000043562 / 320432-01-CHT

420

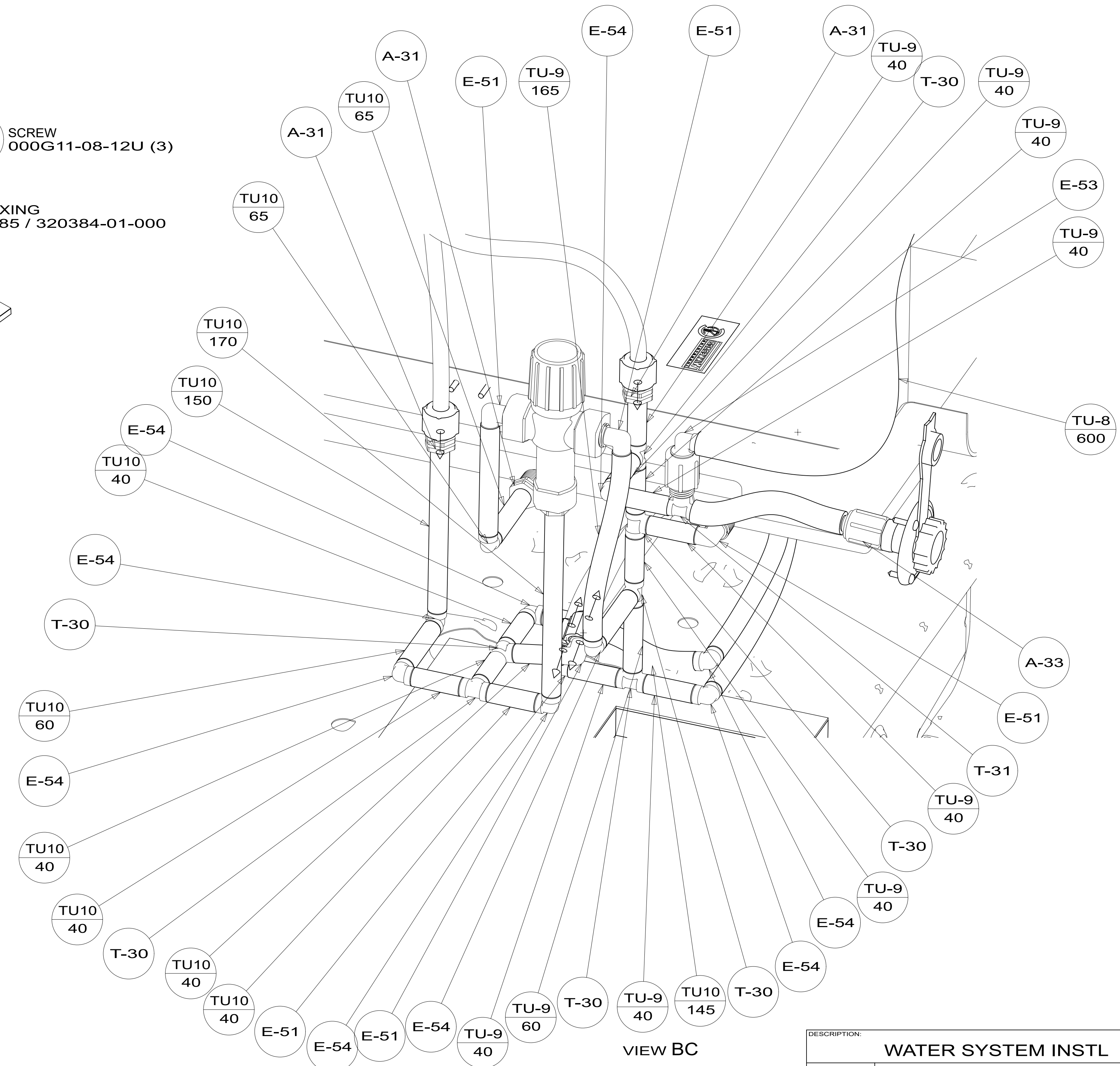
1479

CU-2

VIEW BA
(SHOWN W/OUT SHOWER
AND W/OUT DINETTE INSTAL)

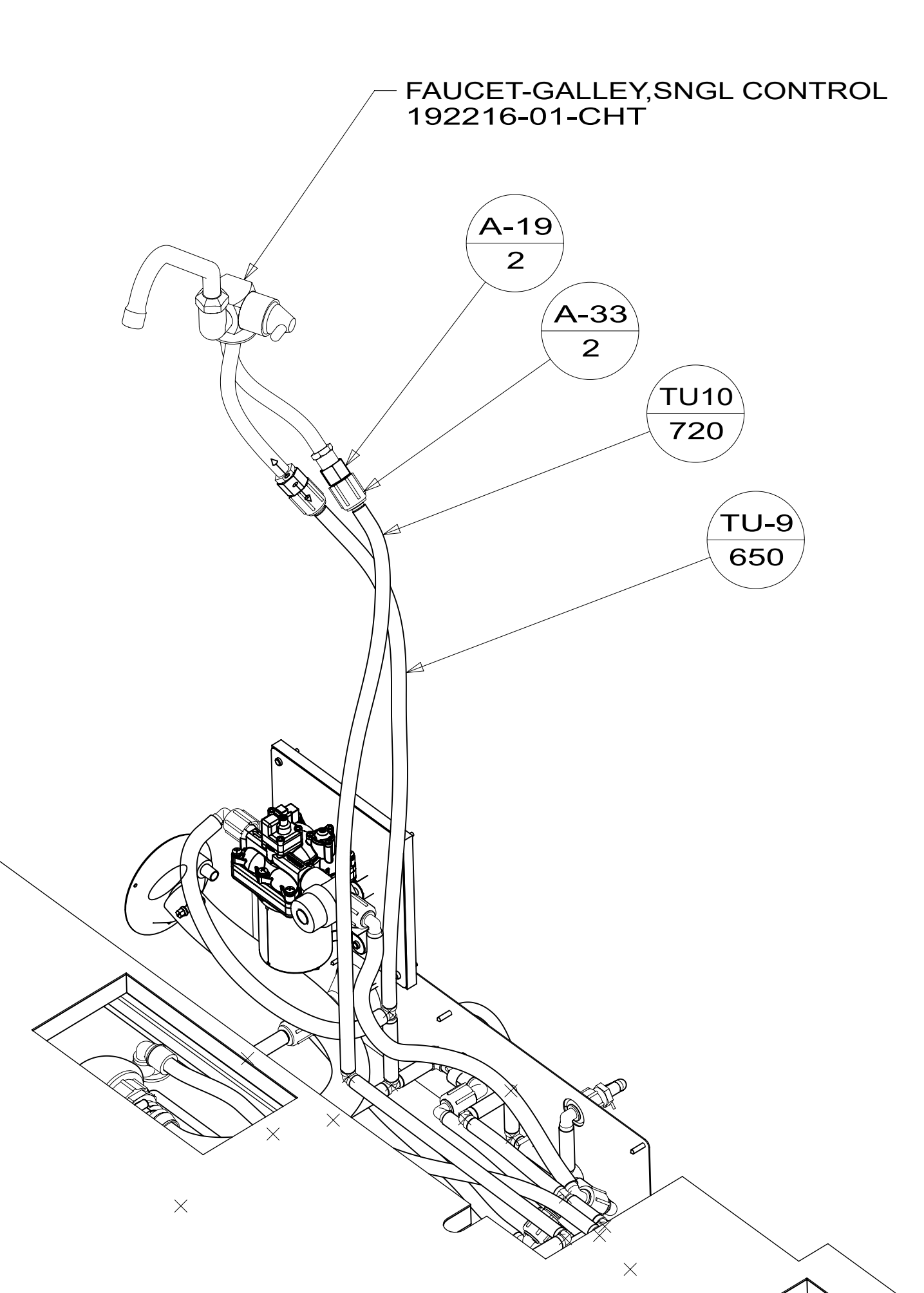
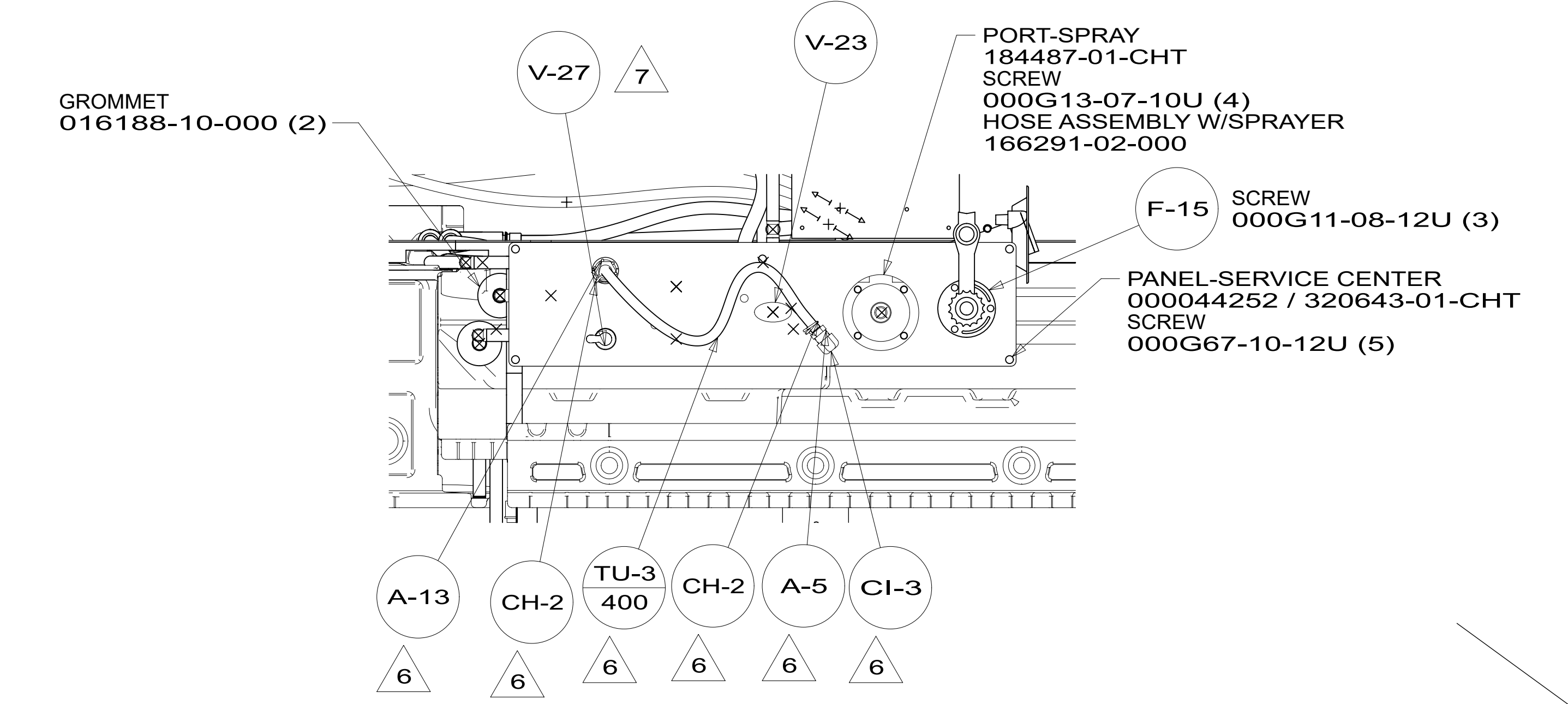
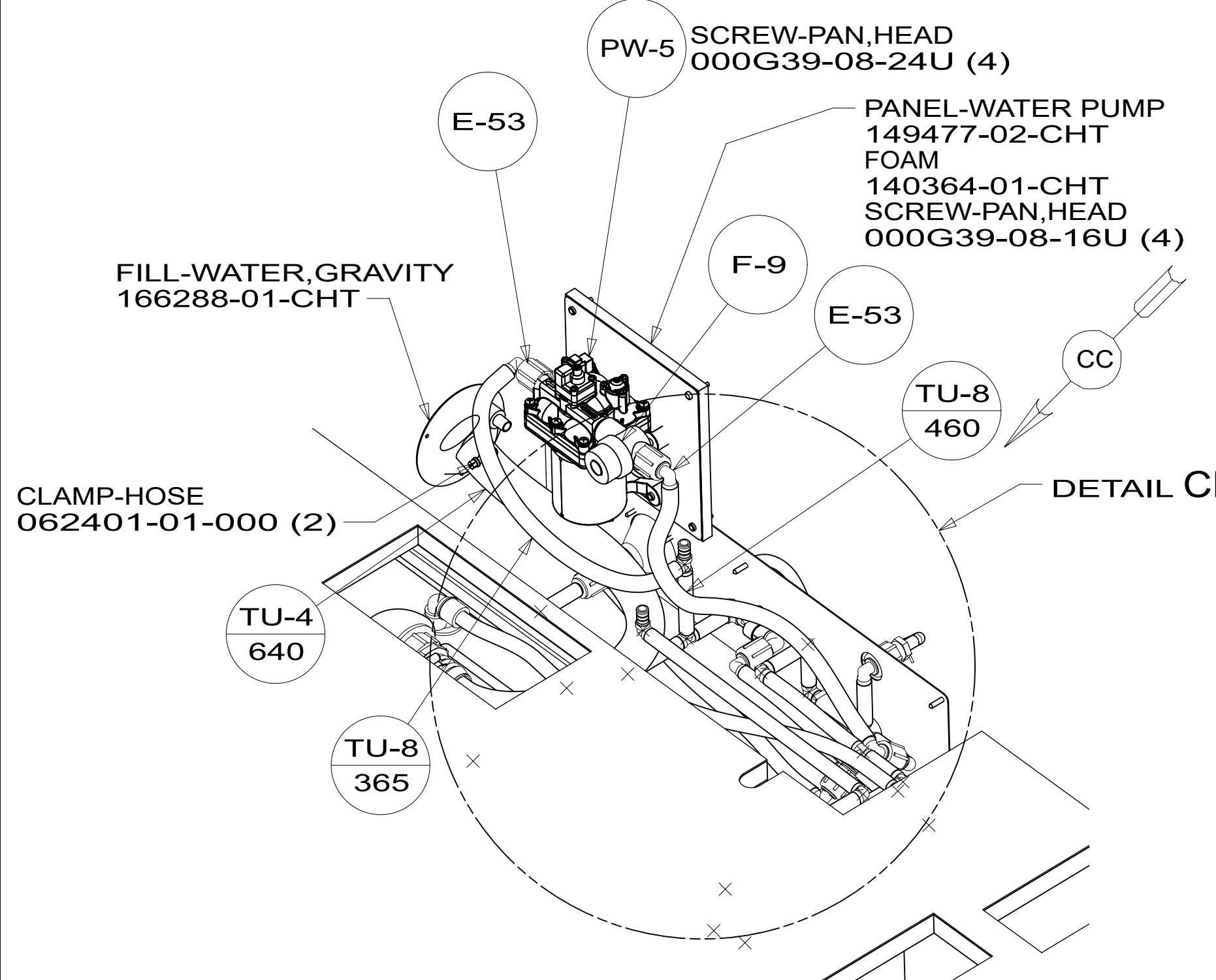
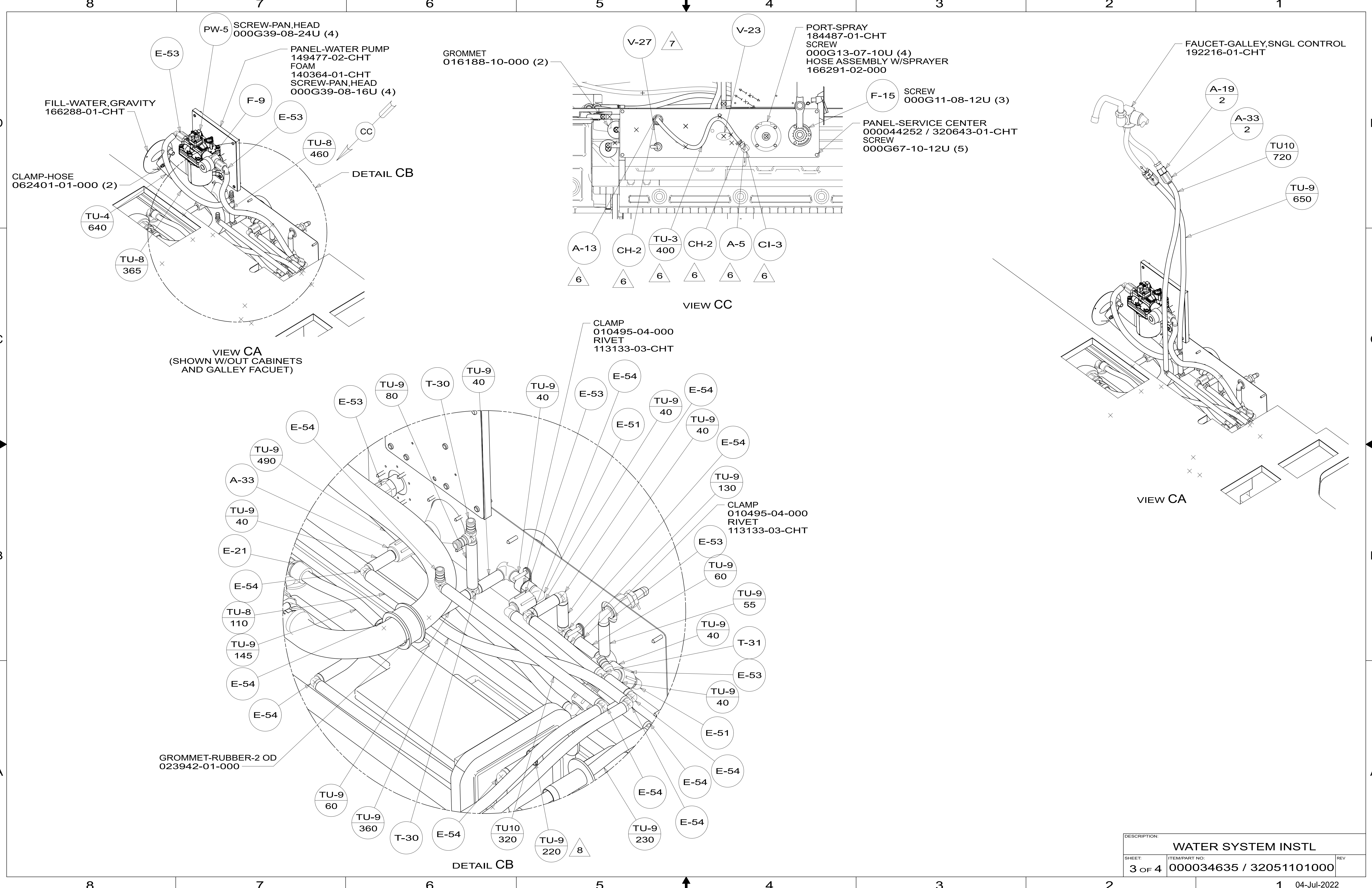
SECTION BB-BB

8 7 6 5 4 3 2 1



VIEW BC

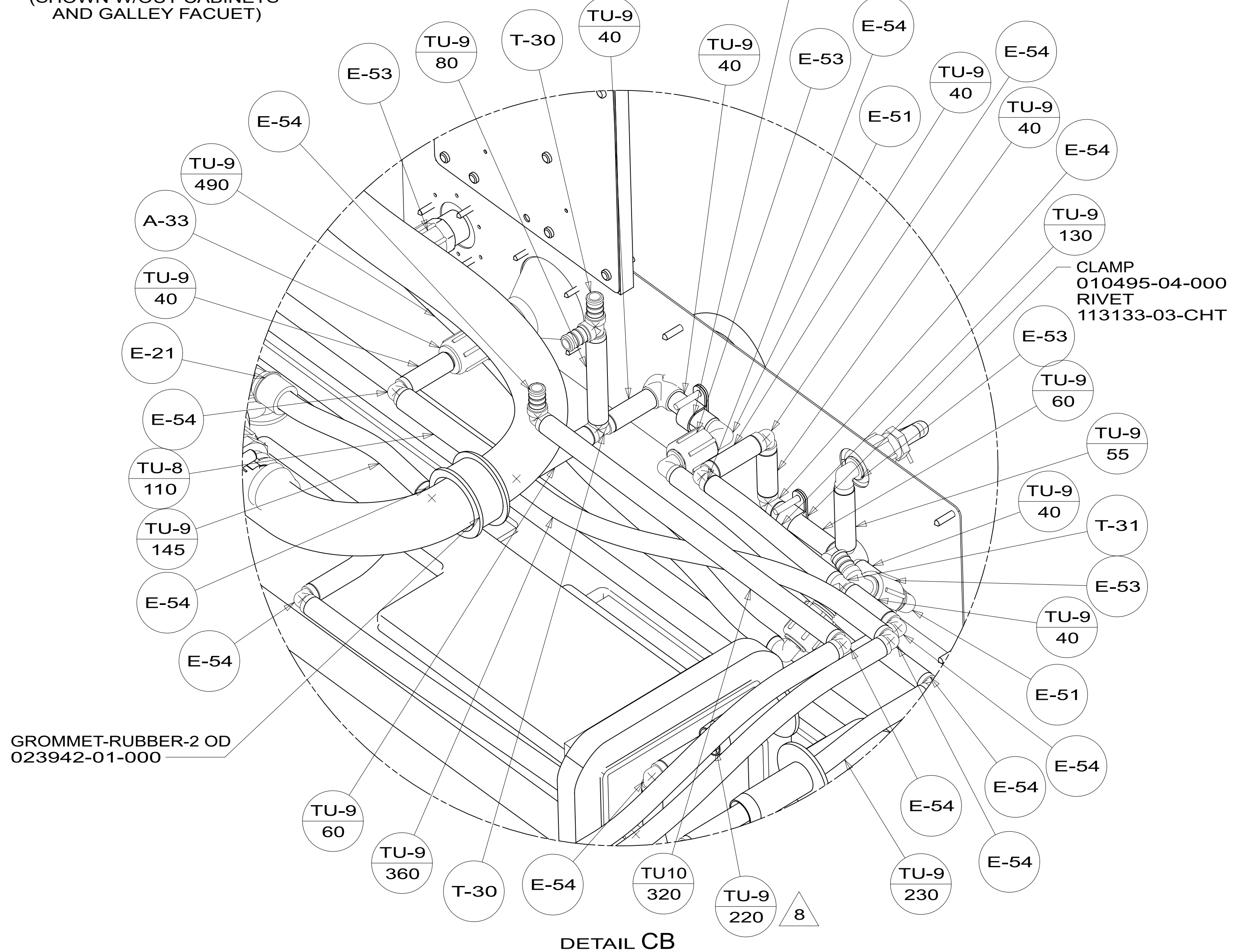
DESCRIPTION: WATER SYSTEM INSTL		
SHEET: 2 OF 4	ITEM/PART NO: 000034635 / 32051101000	REV
		04-Jul-2022



VIEW CA
(SHOWN W/OUT CABINETS
AND GALLEY FACUET)

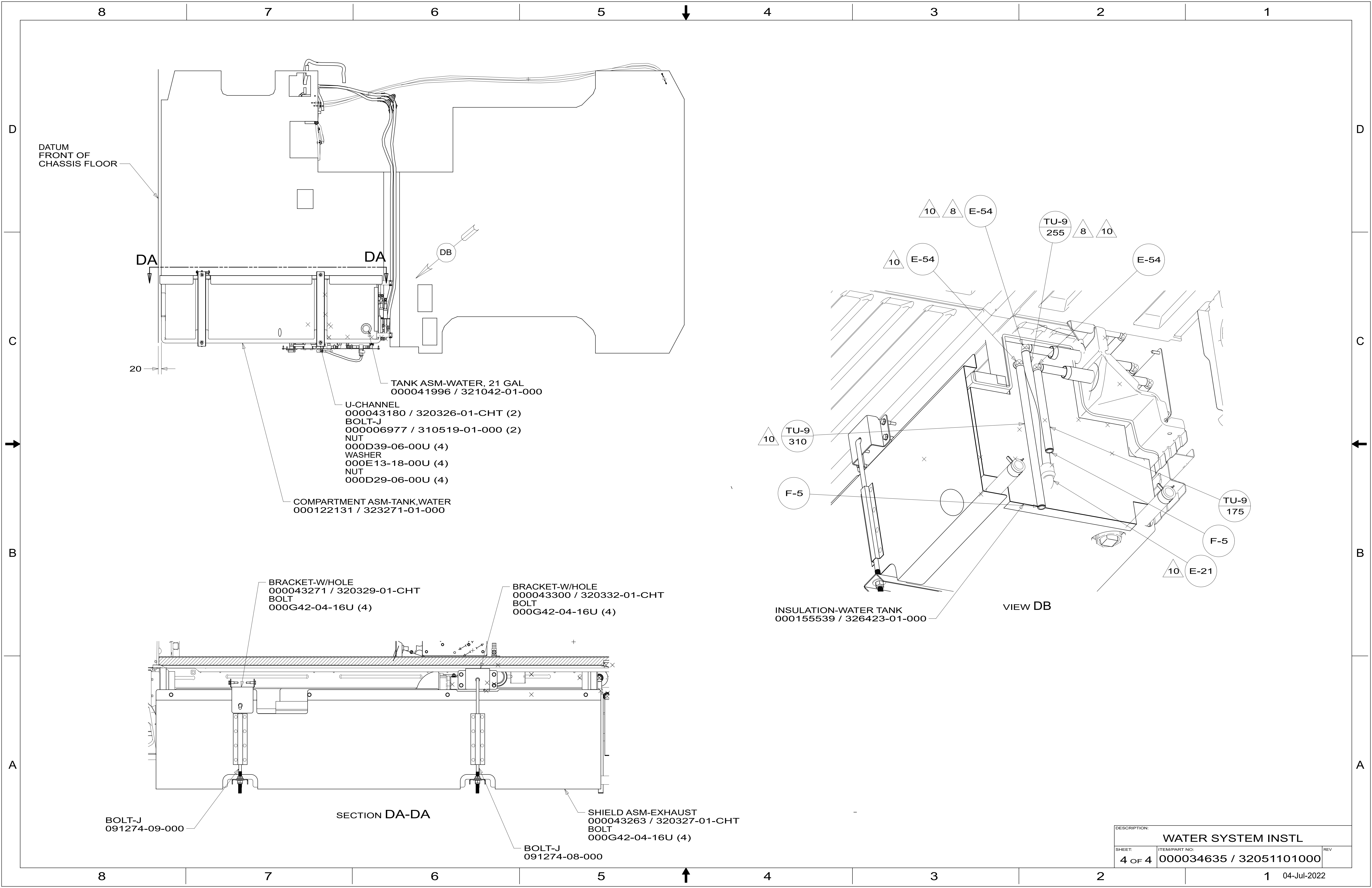
VIEW CC

VIEW CA



DETAIL CB

DESCRIPTION:		
WATER SYSTEM INSTL		
SHEET:	ITEM/PART NO:	REV
3 OF 4	000034635 / 32051101000	



DATUM FRONT OF CHASSIS FLOOR

DA

DA

DB

20

TANK ASM-WATER, 21 GAL
000041996 / 321042-01-000

U-CHANNEL
000043180 / 320326-01-CHT (2)
BOLT-J
000006977 / 310519-01-000 (2)
NUT
000D39-06-00U (4)
WASHER
000E13-18-00U (4)
NUT
000D29-06-00U (4)

COMPARTMENT ASM-TANK, WATER
000122131 / 323271-01-000

BRACKET-W/HOLE
000043271 / 320329-01-CHT
BOLT
000G42-04-16U (4)

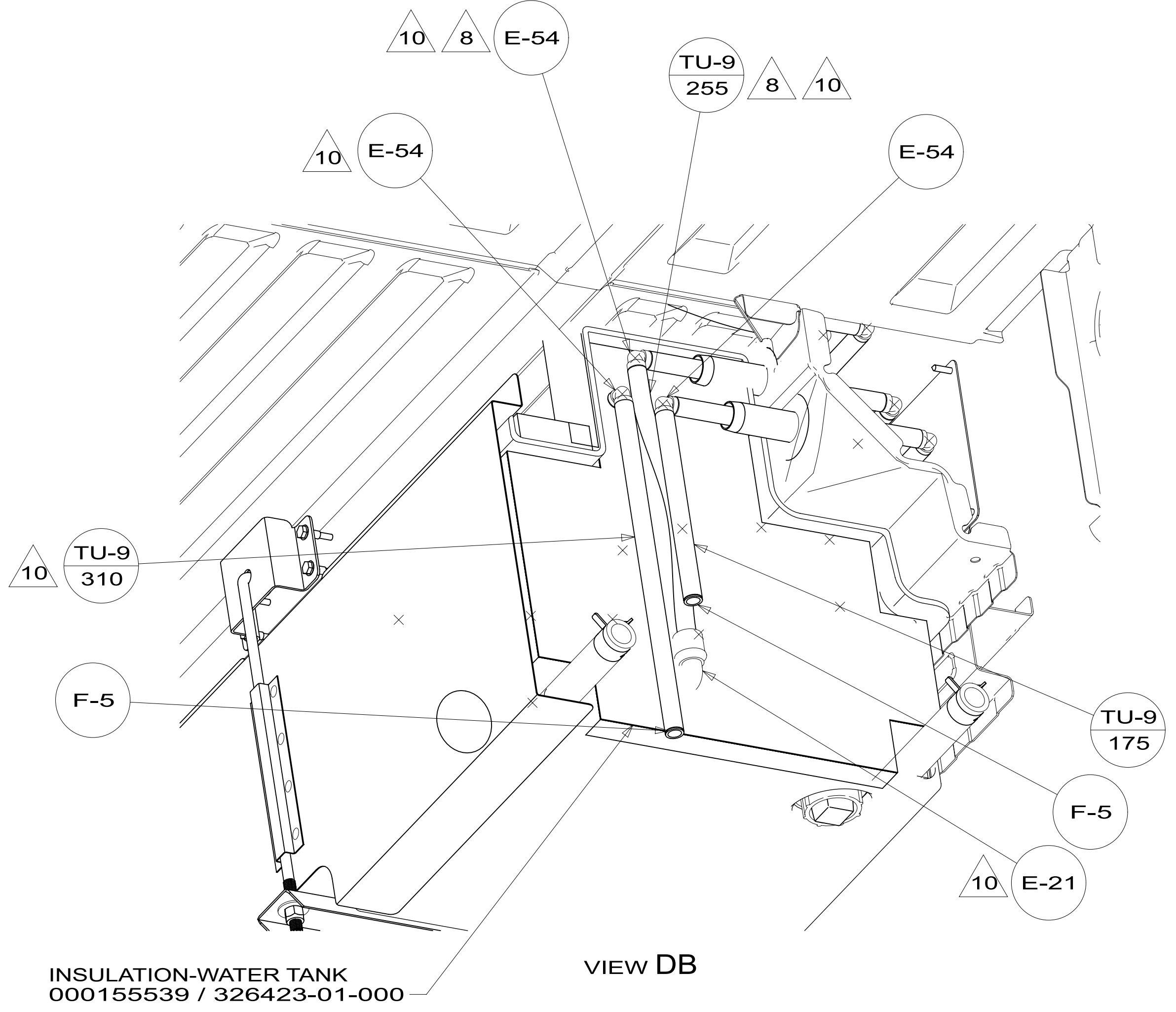
BRACKET-W/HOLE
000043300 / 320332-01-CHT
BOLT
000G42-04-16U (4)

BOLT-J
091274-09-000

SECTION DA-DA

SHIELD ASM-EXHAUST
000043263 / 320327-01-CHT
BOLT
000G42-04-16U (4)

BOLT-J
091274-08-000



DESCRIPTION:		
WATER SYSTEM INSTL		
SHEET:	ITEM/PART NO.:	REV
4 OF 4	000034635 / 32051101000	