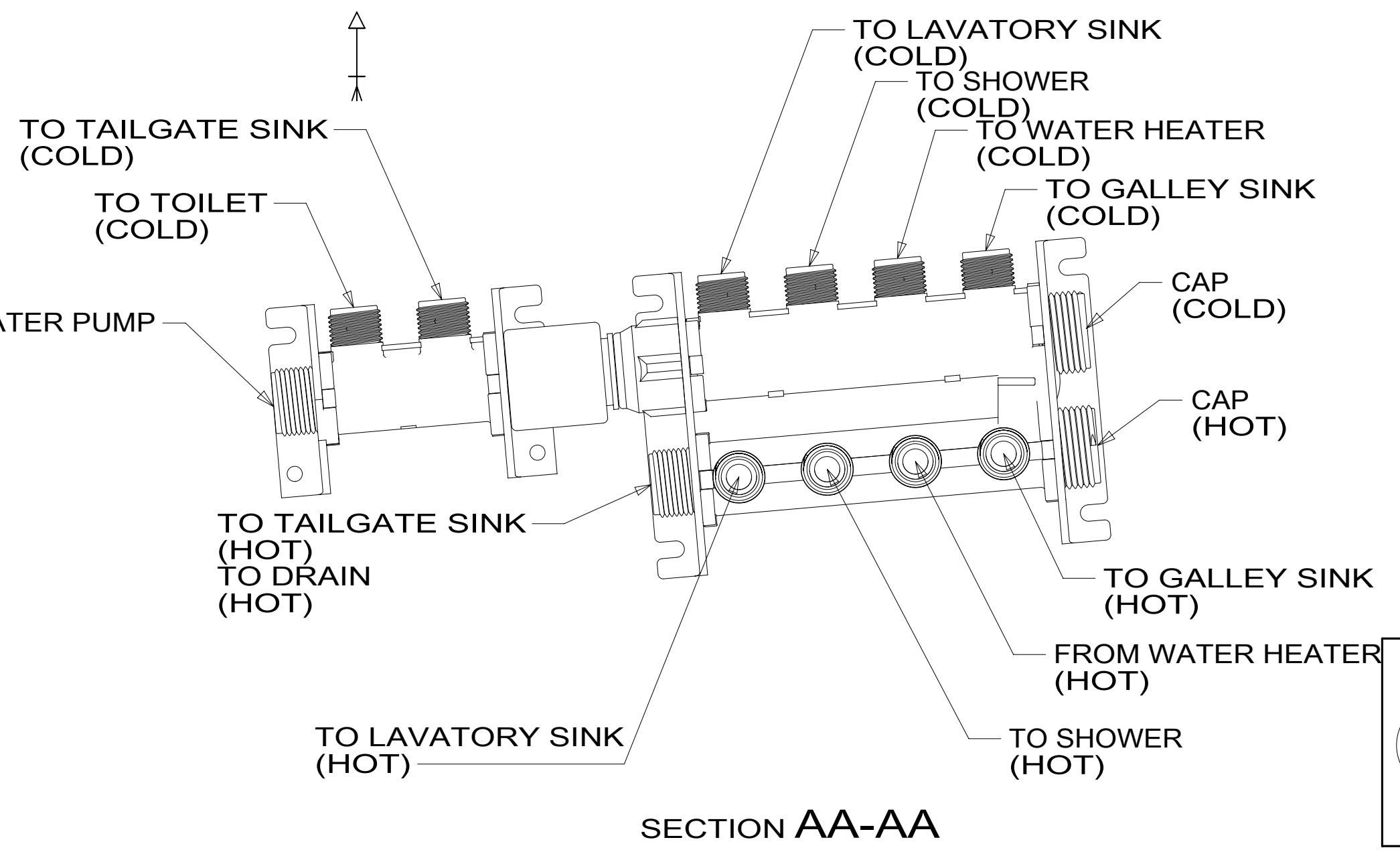


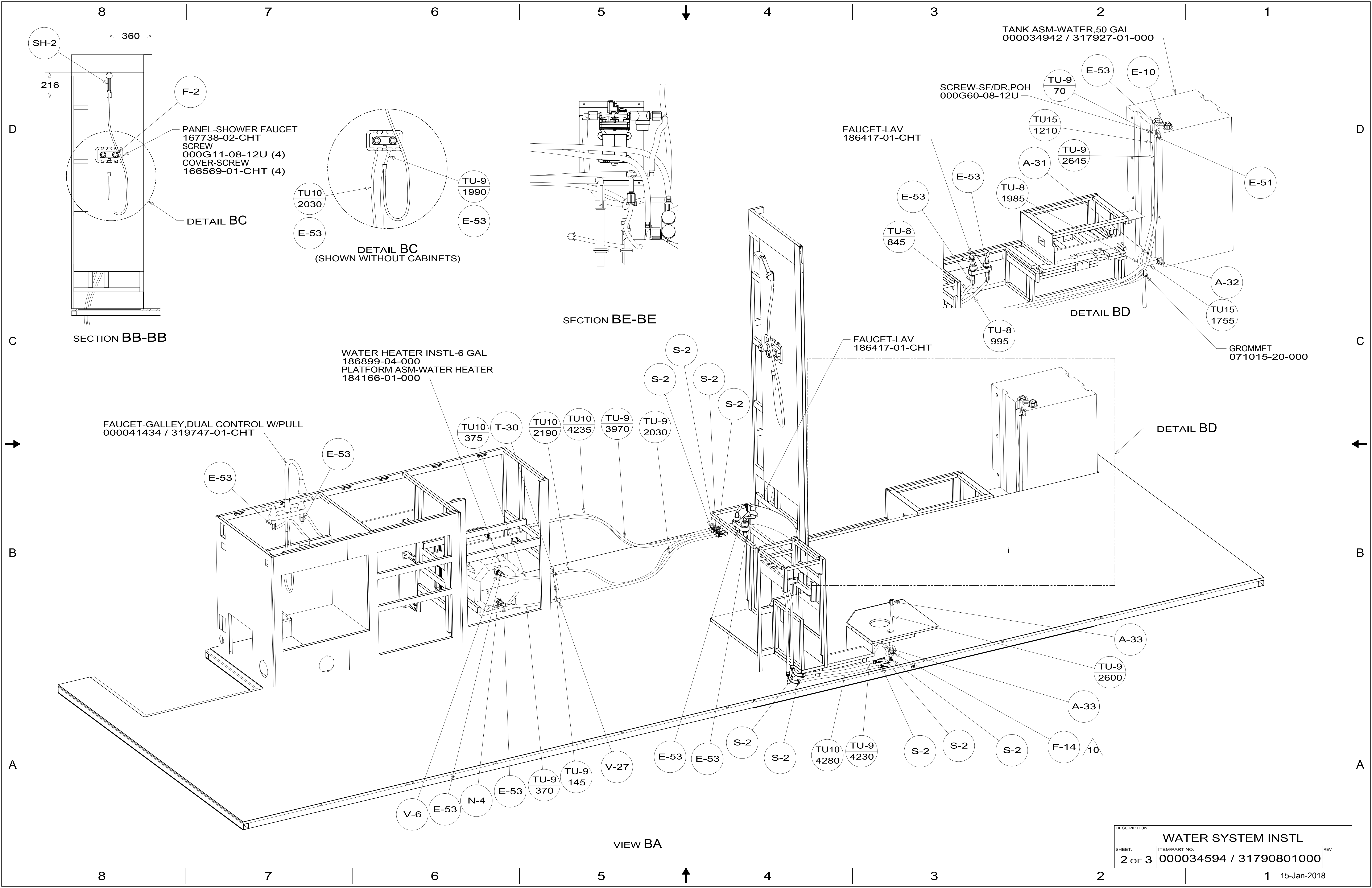
- NOTES:
1. PLASTIC FITTINGS TO BE SEALED WITH SEALANT 084456-01-000.
  2. TUBING TO BE INSTALLED WITH SUFFICIENT SLOPE TO PROVIDE DRAINAGE TO NEAREST VALVE.
  3. ALL TUBING TO BE SECURED AT 1200 INTERVALS MAXIMUM WITH CLAMP 010495-01-000 AND SCREW 000G67-10-12U OR EQUIVALENT.
  4. ADD TEFLON TAPE 010405-01-000.
  5. ADD PIPE WRAP (LADDER SCRAP 110157-02-000) INSULATION.
  6. LABEL HOT AND COLD SUPPLY TUBES AND TAPE FITTING TO TUBE BEFORE CABINET SET TO PREVENT MOVEMENT.
  7. ALL CRIMP FITTINGS TO 5/8" FLEX TUBING REQUIRE 5/8" CLAMP 140171-04-000.
  8. ALL CRIMP FITTINGS TO 1/2" PEX TUBING REQUIRE 1/2" CLAMP 140171-03-000.
  9. ALL CRIMP FITTINGS TO 3/4" PEX TUBING REQUIRE 3/4" CLAMP 140171-05-000.
  10. F-14 ATTACHED WITH (3) 000G60-08-16U SCREWS.



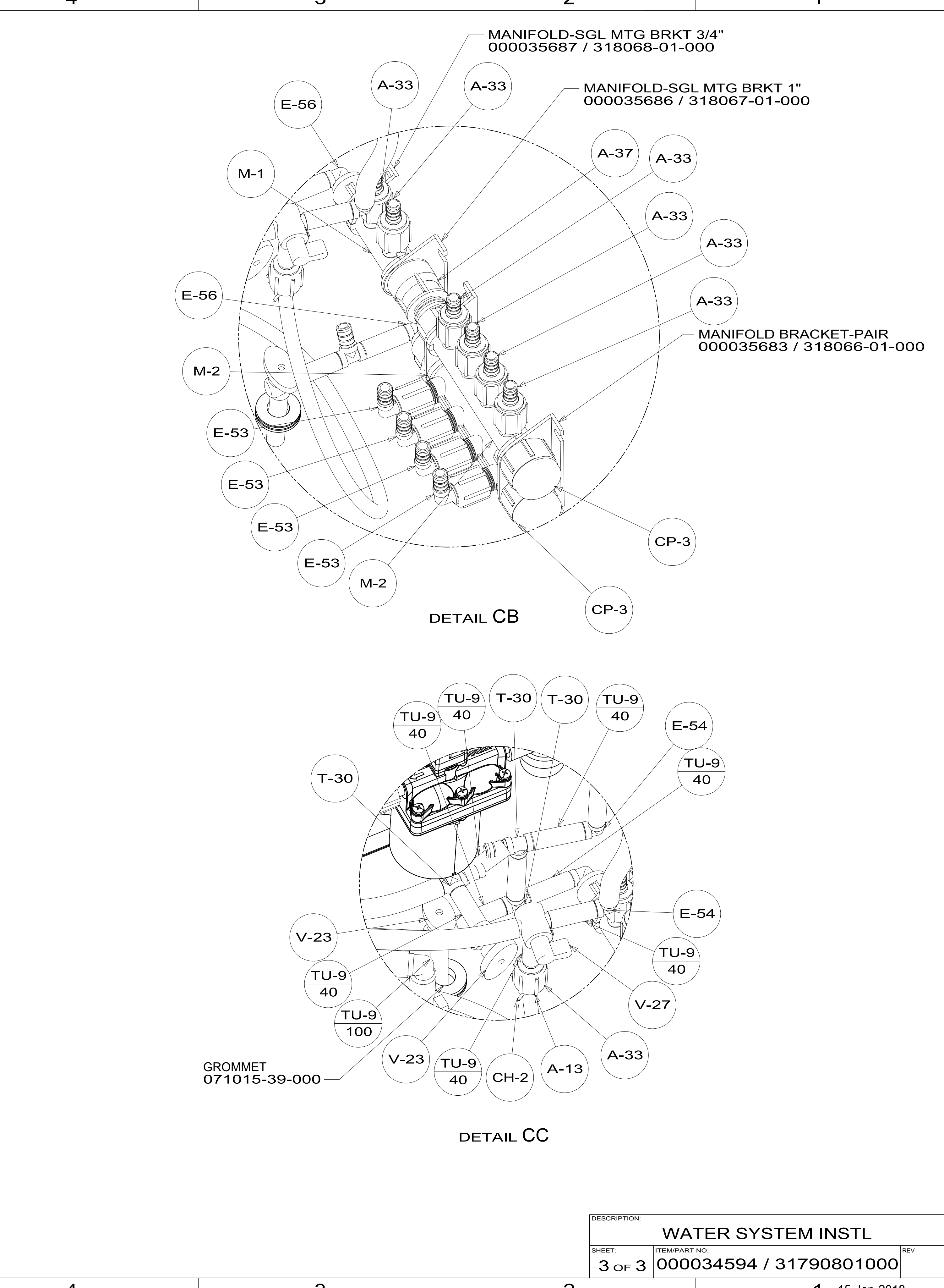
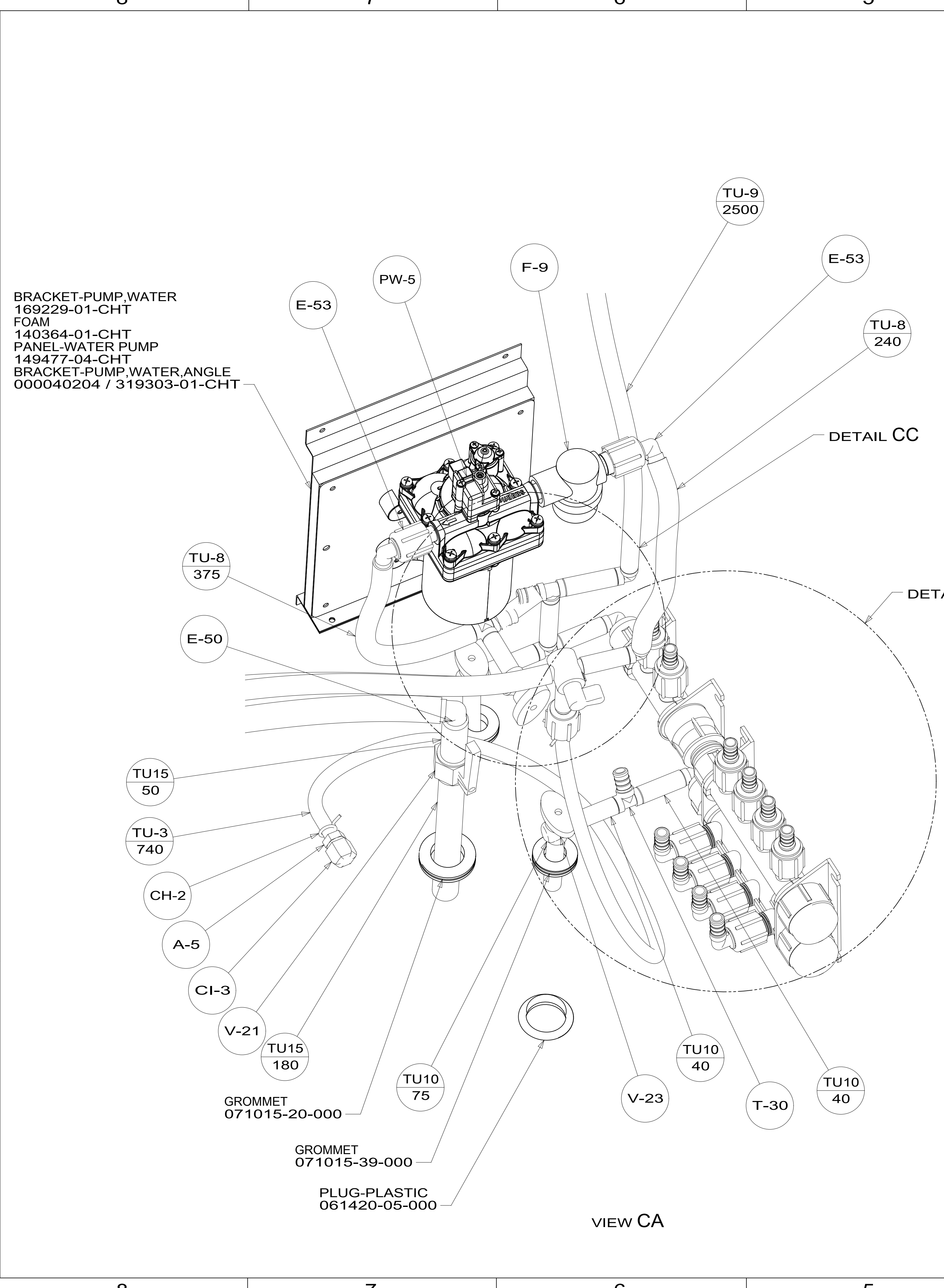
X-X

FOR WATER CALLOUTS SEE DWG NO. 000209446 / 303369-01-000

<b>WINNEBAGO</b> COPYRIGHT 2018 WINNEBAGO INDUSTRIES, INC.		ALL DIMENSIONS ARE IN MILLIMETERS
DSNR:		
DIFTR:		
UNSPECIFIED TOLERANCES:	MATERIAL:	
WHOLE DIM (X) :	3	
ONE-PLACE (X.X) :	1.5	
TWO-PLACE (X.XX) :	0.50	
ANGLE :	1°	
REFER TO ES0018 FOR FASTENER TIGHTENING GUIDELINES	WEIGHT: (LBS)	FIRST USED: (REF)
	-	18 V30R
<b>DESCRIPTION:</b>		
<b>WATER SYSTEM INSTL</b>		
SHEET:	ITEM/PART NO:	REV:
1 OF 3	000034594 / 31790801000	
		REF:
		1 15-Jan-2018



DESCRIPTION:		
WATER SYSTEM INSTL		
SHEET:	ITEM/PART NO:	REV
2 OF 3	000034594 / 31790801000	



DESCRIPTION:		
WATER SYSTEM INSTL		
SHEET:	ITEM/PART NO:	REV
3 OF 3	000034594 / 31790801000	