

REV	ZONE	REVISION RECORD	DATE	DFTR-ORIG
A	---	INITIAL RELEASE	09-19-16	0626-2790
B	---	UPDATED TO SHOW CHANGES	05/05/17	3650-7487
C	S3B2	CHG MECHANICAL VENT VM-1 TO VM-2	6/2/17	4707
D	SHT2	CHG ROOF VENT TUBES	07/24/17	9080-4373
E	SHT3	W-3 WAS W-2	09-01-17	0626-1600
F	SHT4	C-5 WAS C-2	11-3-17	8378-9080
G	SHT3	UPDATED TUBES	11-17-17	8378-4373
H	---	NO DWG CHANGE, UPDATED DRAINAGE PARTS PER 000211962 REV E	1-16-18	8378-1600
J	---	000156082 WAS 127440-02-CHT	3-14-18	8378
K	SHT4	329202-01-000 WAS 133972-03-000	05/22/18	9080-7487
L	---	ECN CANCELLED	---	---
M	SHT4	REPLACE 133972-04-000(2) WITH 000167187(2)	6/27/18	0654-5643
N	SHT2	CHG ADAPTER TO A-16	07/31/18	9080-1600

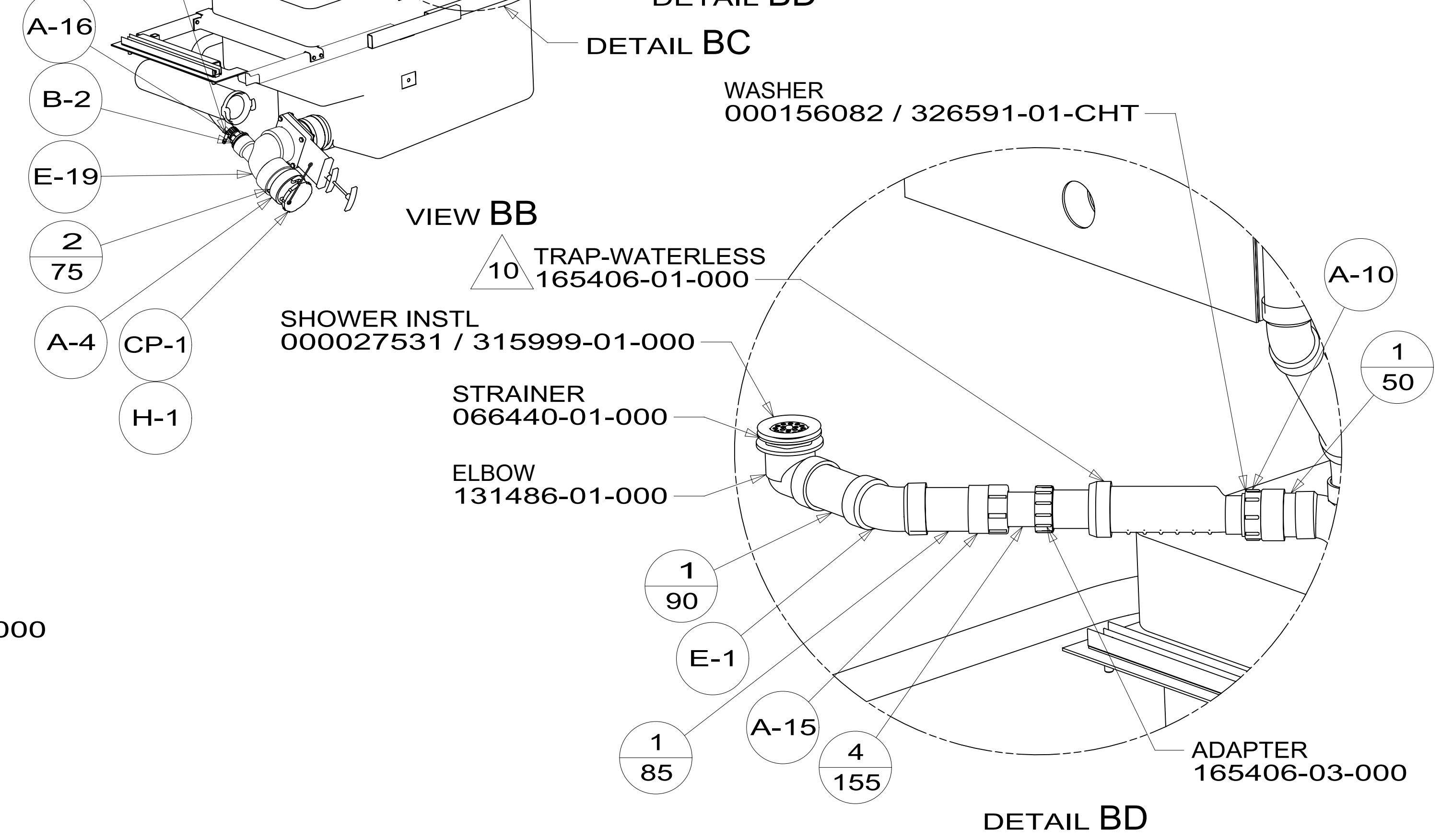
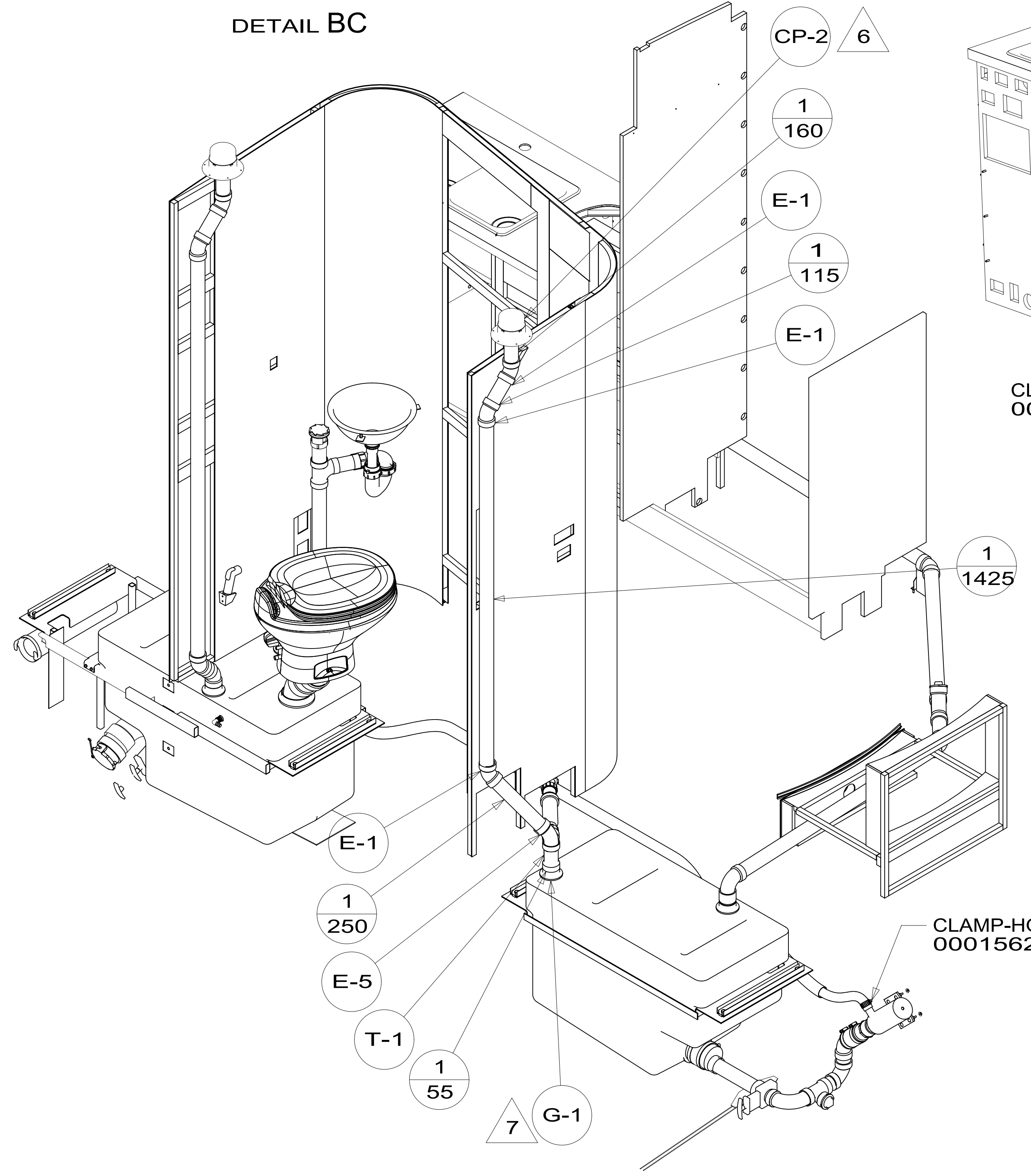
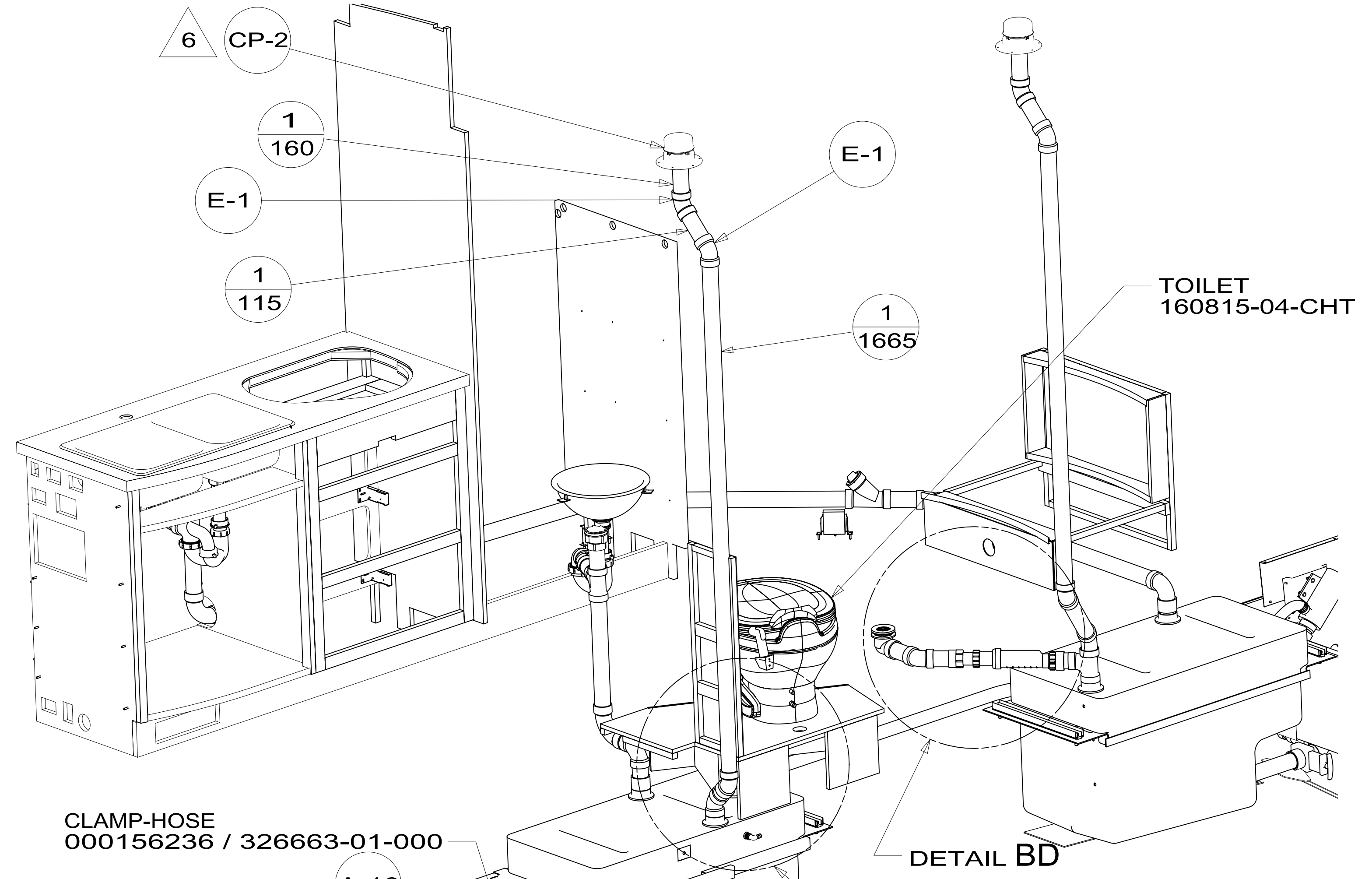
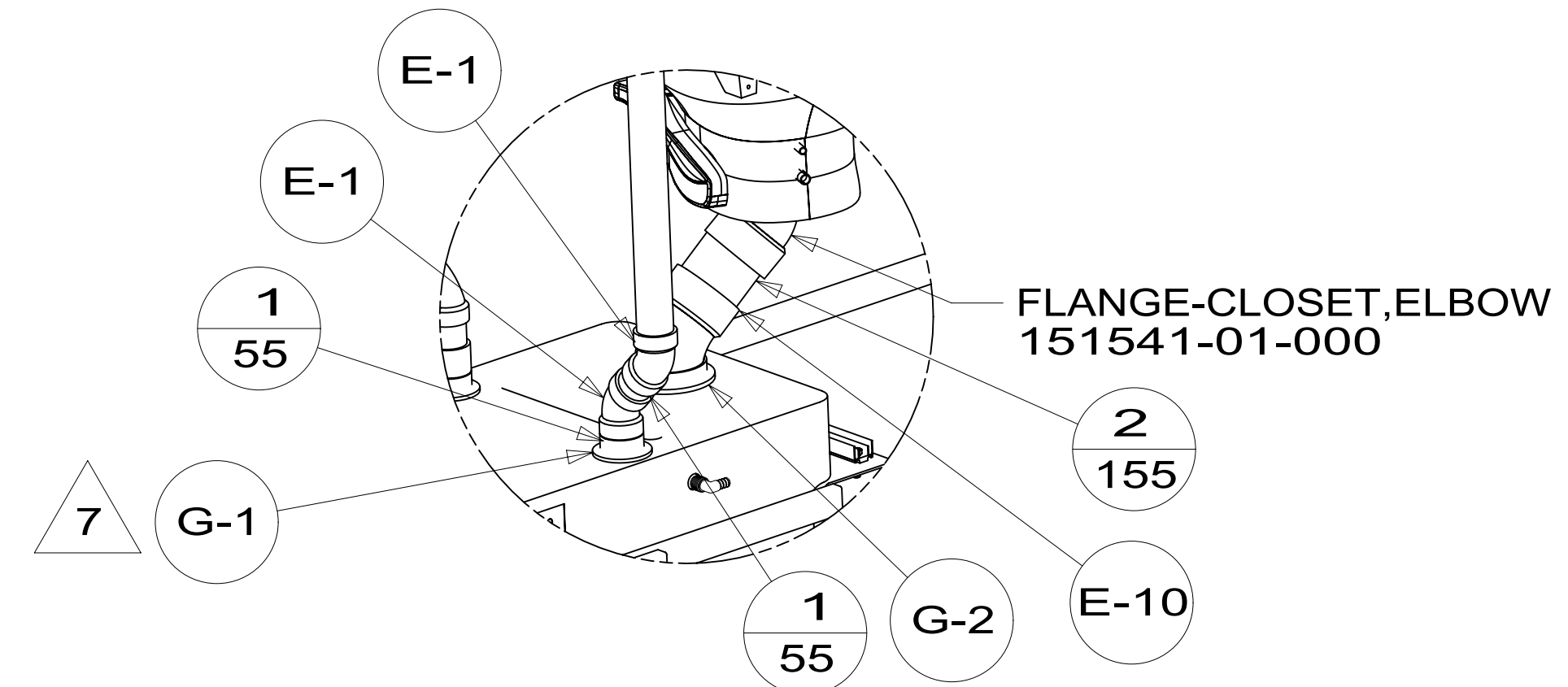
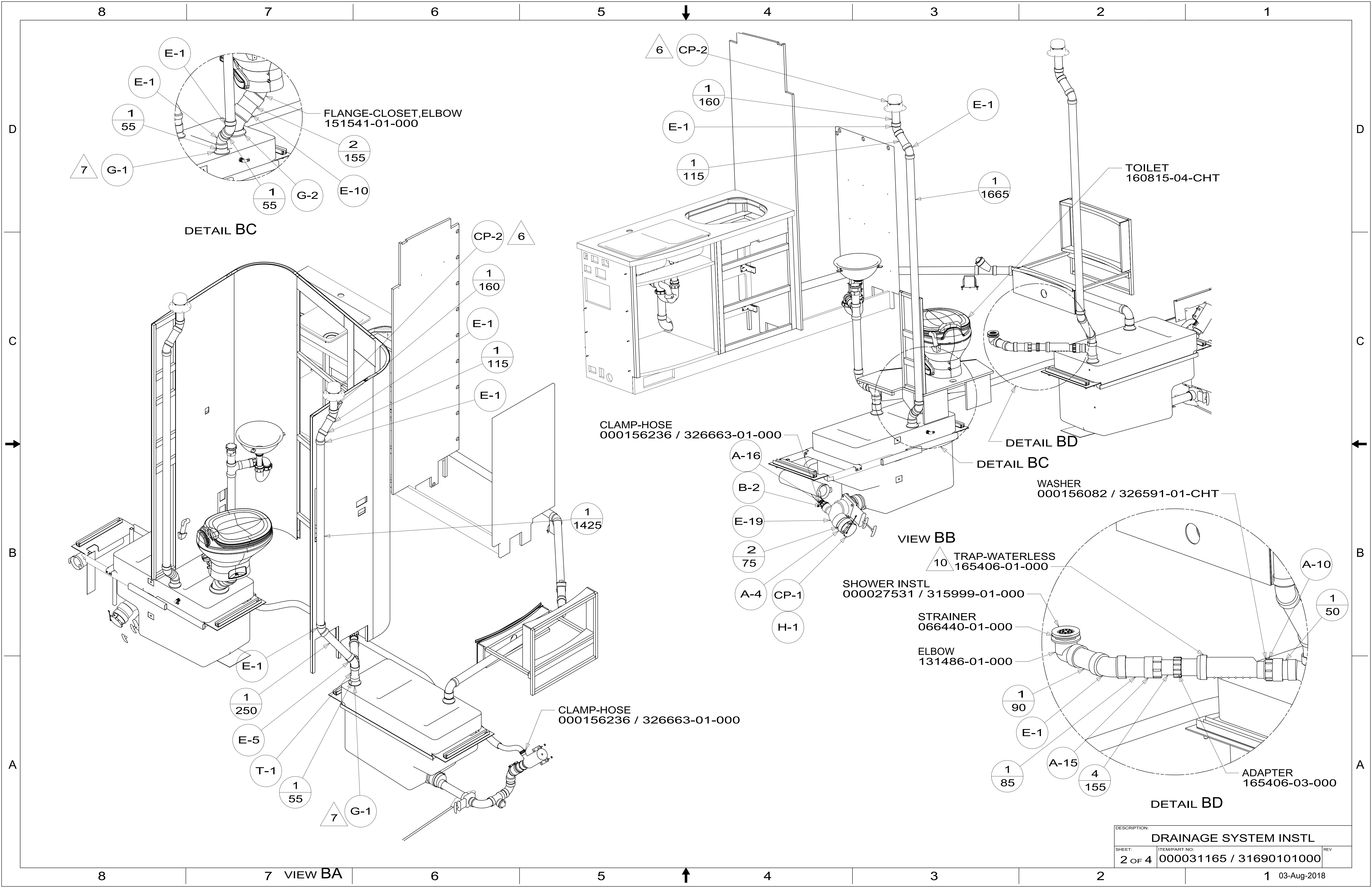
- NOTES:
1. SLOPE OF HORIZONTAL PIPING TO BE MINIMUM OF 3 PER 305 mm.
 2. SLOPE OF TRAP ARM MUST BE 6 PER 305 mm.
 3. ALL PIPE AND FITTINGS TO BE ASSEMBLED WITH SOLVENT 004020-01-000 (USA), 004020-02-000 (CAN)
 4. SECURE DRAINAGE PIPES TO CABINET USING WIRE TIE 108046-02-000, AND SCREW 000G67-10-12U AT INTERVALS OF NOT MORE THAN 4 FEET APART.
 5. SEAL AROUND SHOWER WITH SILICONE.
 6. VENT PIPE MUST PROJECT 51 MIN AND 64 MAX ABOVE ROOF FOR PROPER FIT AND FUNCTION. ADD S-1 (000156099 / 326607-01-CHT SEAL-VENT PIPE) AROUND PIPE ON ROOF BEFORE VENT CAP IS INSTALLED.
 7. SECURE VENT PIPE TO FLOOR WITH CLAMP 000156237 / 326663-02-000 (2), SCREW 000G67-10-12U (2), BRACKET 136878-01-CHT (2).
 8. FOLLOW SEWAGE MACERATOR PUMP WINTERIZATION PROCEDURE. EACH PUMP REQUIRES TWO GALLONS OF RV ANTIFREEZE 182955-01-000.
 9. PREP THE SURFACE PER MANUFACTURERS INSTRUCTIONS, THEN APPLY ADHESIVE 067788-04-000 (0.10) ON PREPARED AREA BEFORE APPLYING THE HEATING PAD PER MANUFACTURERS INSTRUCTIONS.
 10. REMOVE SWIVEL NUT ON TRAP-WATERLESS 165406-01-000 AND CONNECT A-10.
 11. USE SMOOTH PLUMBERS PUTTY 167459-01-000 TO SEAL STRAINER (0.2 PER STRAINER).
 12. REPLACE SUPPLIED STUD AND WINGNUT WITH FASTENER AND INSTALL WITH SUPPLIED RETAINING ANGLE.

FOR DRAINAGE CALLOUTS SEE DWG NO. 000211962 / 303370-01-000

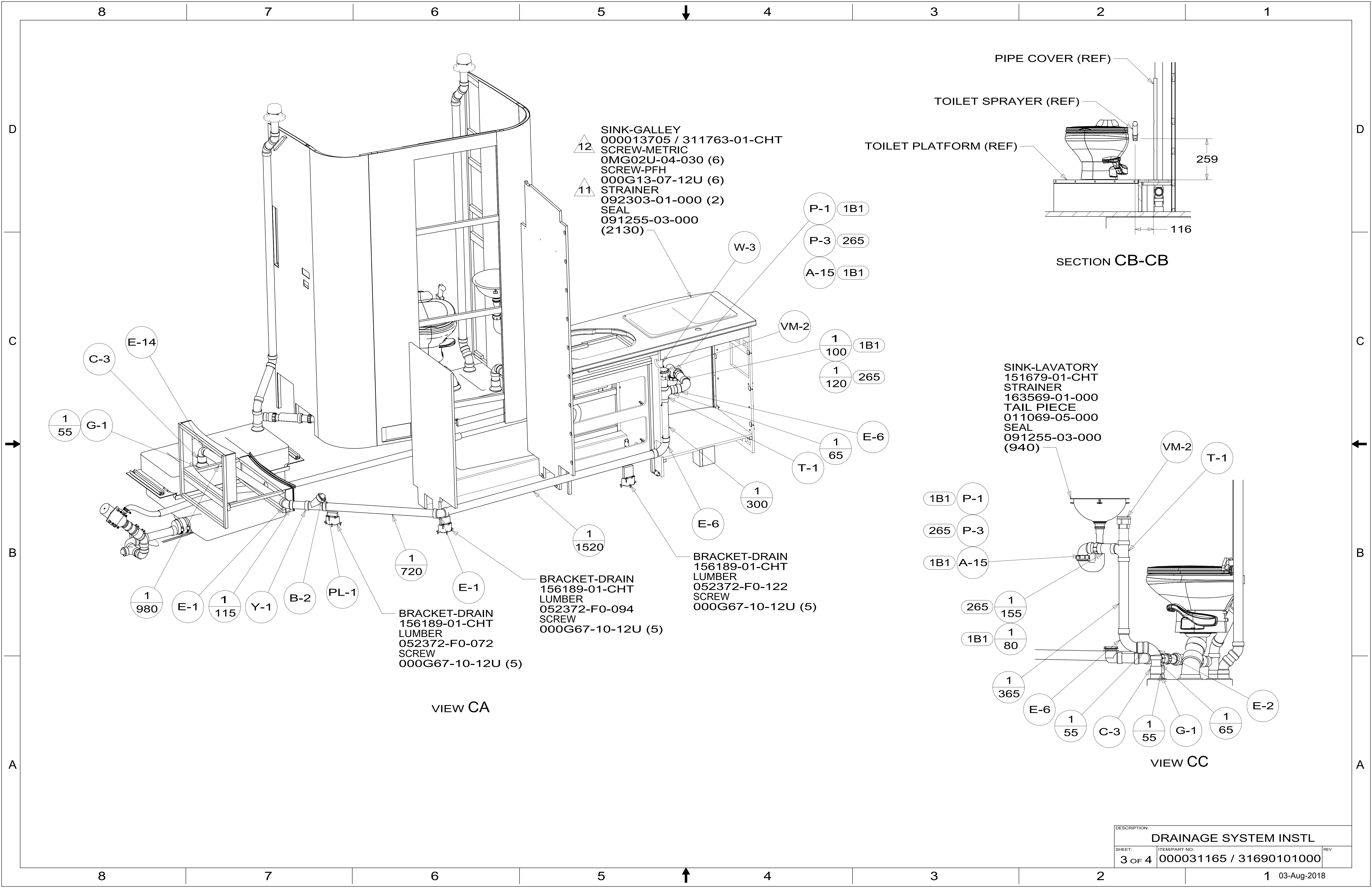
- 1JD DRAINAGE SYSTEM-HEATED-W/O
- 23T DRAINAGE SYSTEM-HEATED
- 265 CODES/STANDARDS-CSA/CMVSS
- 1B1 CODES/STANDARDS USA

WINNEBAGO
COPYRIGHT 2018 WINNEBAGO INDUSTRIES, INC.

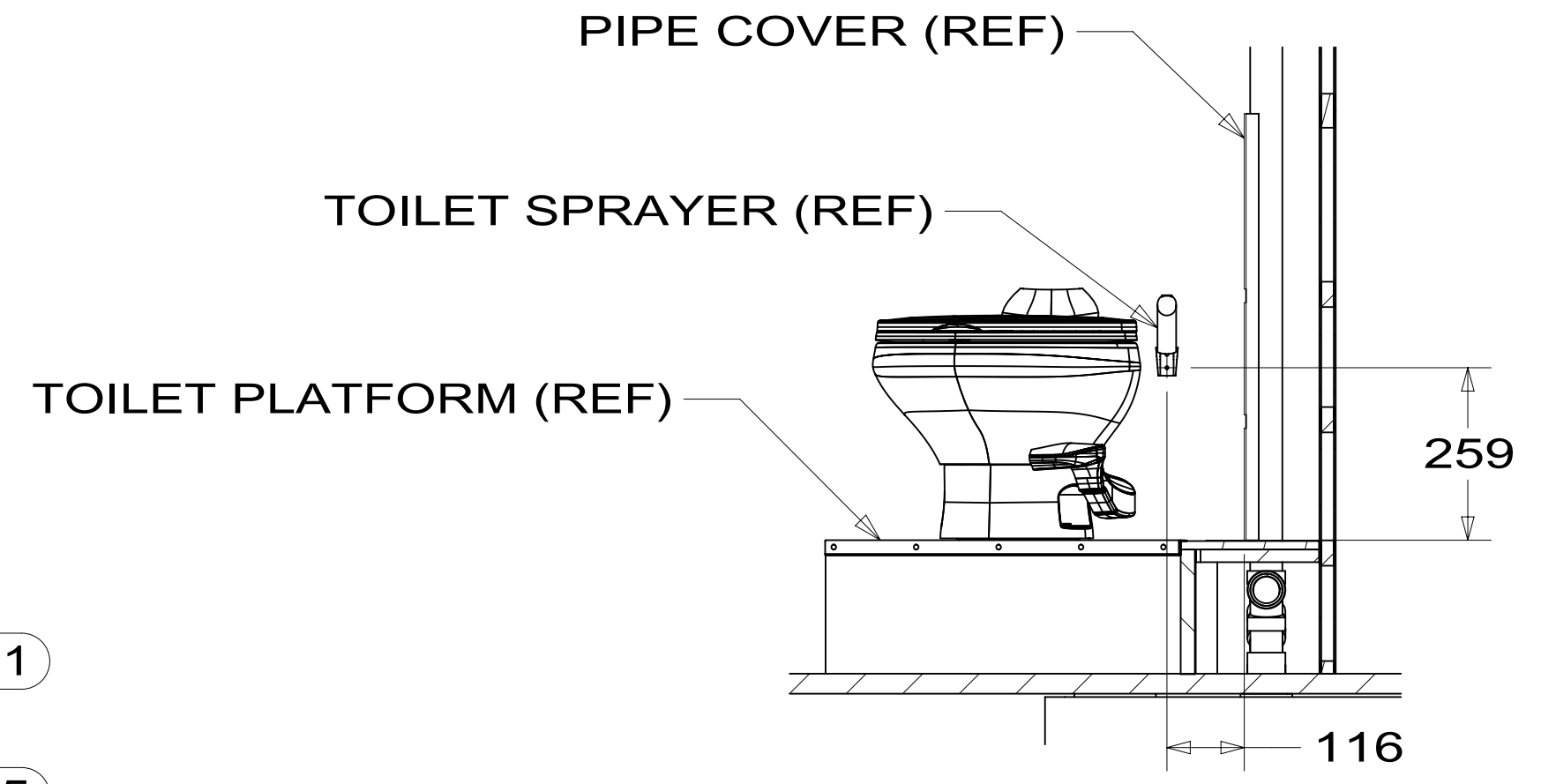
DSNR:	ALL DIMENSIONS ARE IN MILLIMETERS	
DFTR:		
UNSPECIFIED TOLERANCES:	MATERIAL:	
WHOLE DIM (X) : 3		
ONE-PLACE (X.X) : 1.5		
TWO-PLACE (X.XX) : 0.50		
ANGLE : 1°		
REFER TO ES0018 FOR FASTENER TIGHTENING GUIDELINES	WEIGHT: (LBS)	FIRST USED: (REF)
		17 524V
DESCRIPTION: DRAINAGE SYSTEM INSTL		
SHEET: 1 OF 4	ITEM/PART NO: 000031165 / 31690101000	REV:
REF: 1		03-Aug-2018



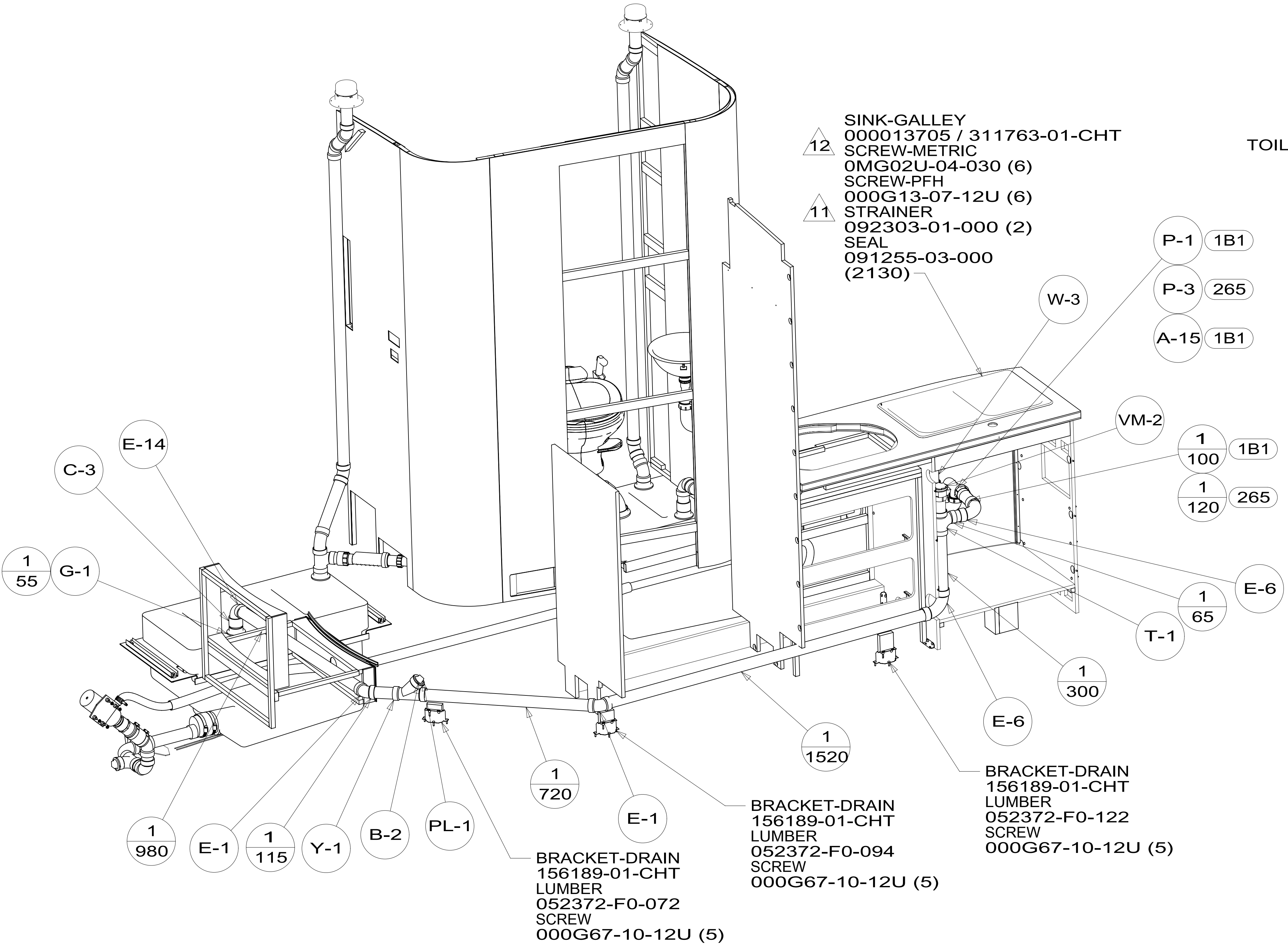
DESCRIPTION: DRAINAGE SYSTEM INSTL		
SHEET: 2 OF 4	ITEM/PART NO: 000031165 / 31690101000	REV
		03-Aug-2018



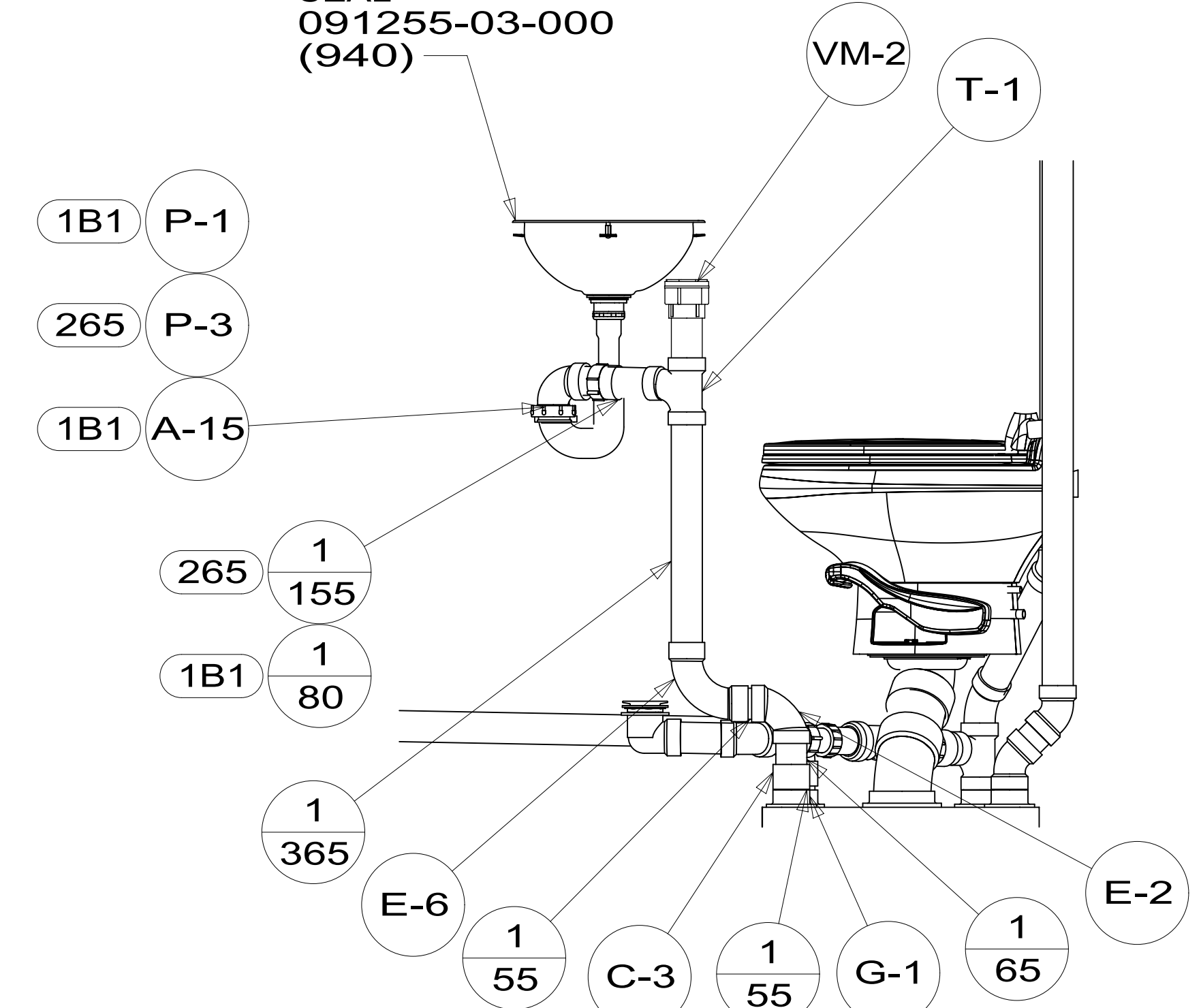
- 12 SINK-GALLEY
000013705 / 311763-01-CHT
- SCREW-METRIC
OMG02U-04-030 (6)
- SCREW-PFH
000G13-07-12U (6)
- 11 STRAINER
092303-01-000 (2)
- SEAL
091255-03-000
(2130)



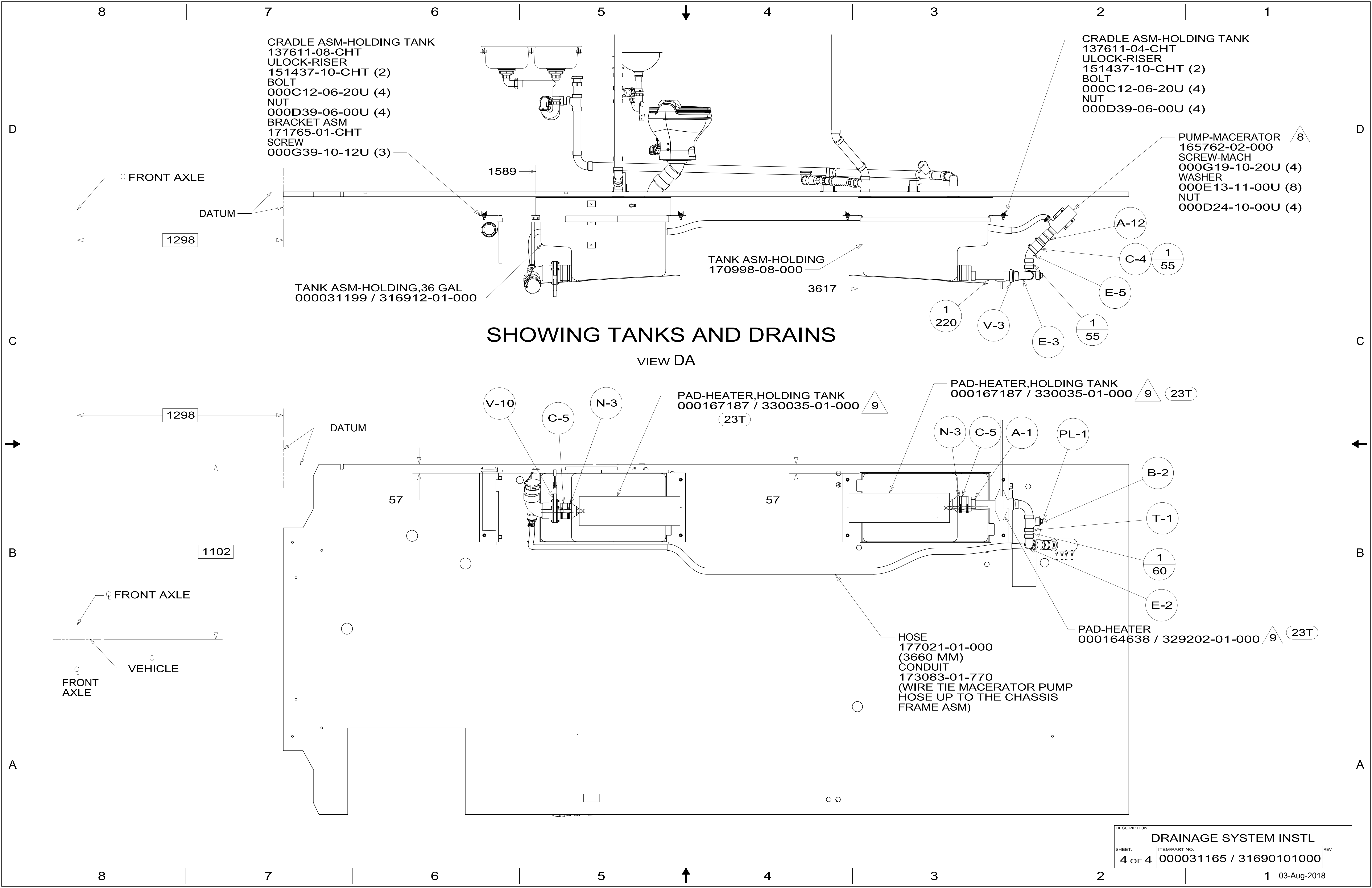
- SINK-LAVATORY
151679-01-CHT
- STRAINER
163569-01-000
- TAIL PIECE
011069-05-000
- SEAL
091255-03-000
(940)



VIEW CA



DESCRIPTION: DRAINAGE SYSTEM INSTL		
SHEET: 3 OF 4	ITEM/PART NO: 000031165 / 31690101000	REV
		1 03-Aug-2018



CRADLE ASM-HOLDING TANK
 137611-08-CHT
 ULOCK-RISER
 151437-10-CHT (2)
 BOLT
 000C12-06-20U (4)
 NUT
 000D39-06-00U (4)
 BRACKET ASM
 171765-01-CHT
 SCREW
 000G39-10-12U (3)

CRADLE ASM-HOLDING TANK
 137611-04-CHT
 ULOCK-RISER
 151437-10-CHT (2)
 BOLT
 000C12-06-20U (4)
 NUT
 000D39-06-00U (4)

PUMP-MACERATOR 8
 165762-02-000
 SCREW-MACH
 000G19-10-20U (4)
 WASHER
 000E13-11-00U (8)
 NUT
 000D24-10-00U (4)

TANK ASM-HOLDING
 170998-08-000

TANK ASM-HOLDING, 36 GAL
 000031199 / 316912-01-000

SHOWING TANKS AND DRAINS

VIEW DA

PAD-HEATER, HOLDING TANK
 000167187 / 330035-01-000 9 23T

PAD-HEATER, HOLDING TANK
 000167187 / 330035-01-000 9 23T

PAD-HEATER
 000164638 / 329202-01-000 9 23T

HOSE
 177021-01-000
 (3660 MM)
 CONDUIT
 173083-01-770
 (WIRE TIE MACERATOR PUMP
 HOSE UP TO THE CHASSIS
 FRAME ASM)

DESCRIPTION: DRAINAGE SYSTEM INSTL		
SHEET: 4 OF 4	ITEM/PART NO: 000031165 / 31690101000	REV