

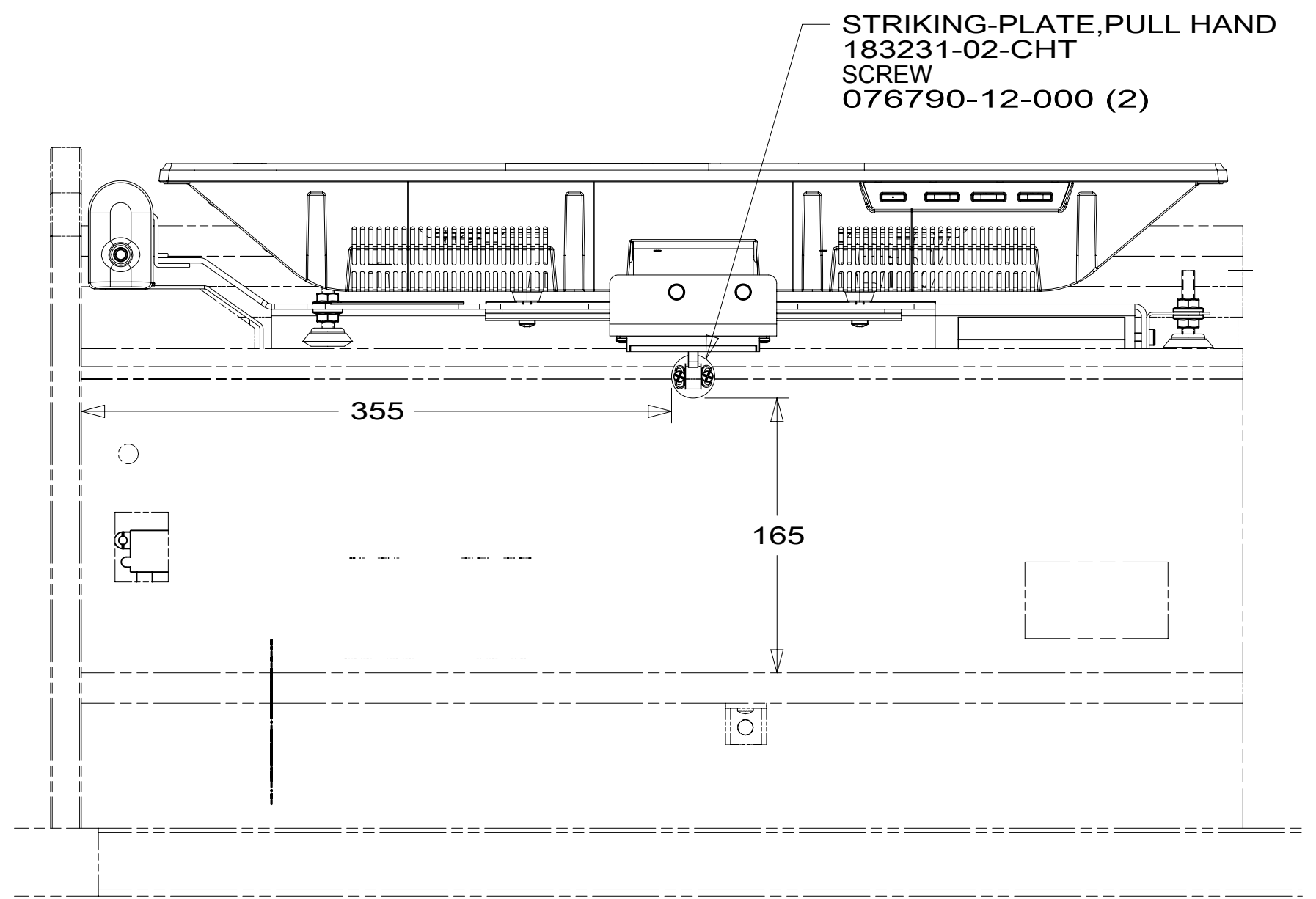
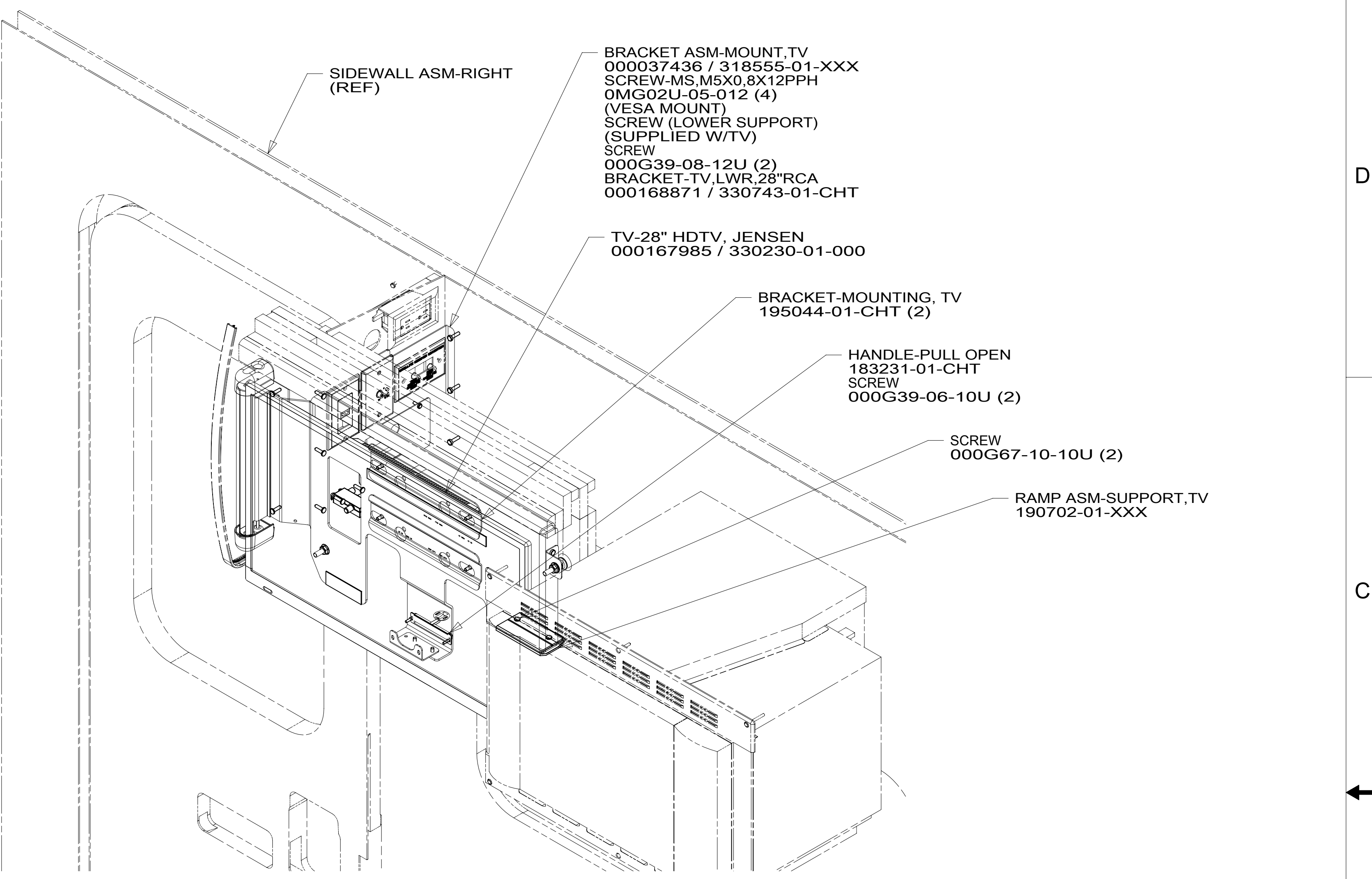
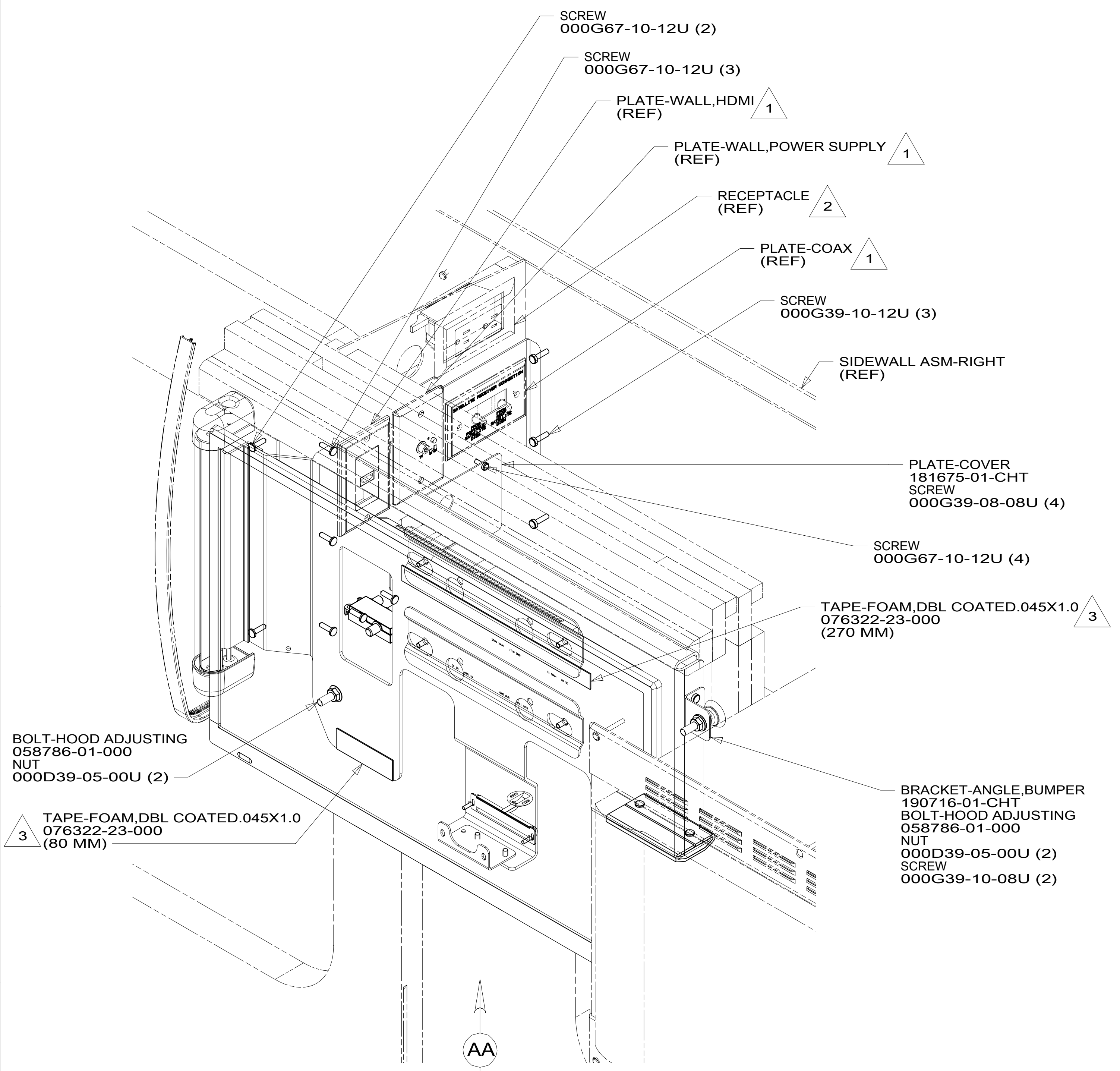
8 7 6 5 4 3 2 1

D

C

B

A



VIEW AA

- 3 PREP BOTH SURFACES WITH ADHESIVE PROMOTER 087211-01-000.
- 2 SEE WIRING INSTL-BODY,110V FOR ADDITIONAL INFORMATION.
- 1 SEE WIRING INSTL-BODY,12V FOR ADDITIONAL INFORMATION.

NOTES:

- 265 CODES/STANDARDS-CSA/CMVSS
- 1B1 CODES/STANDARDS USA
- 1B1 265



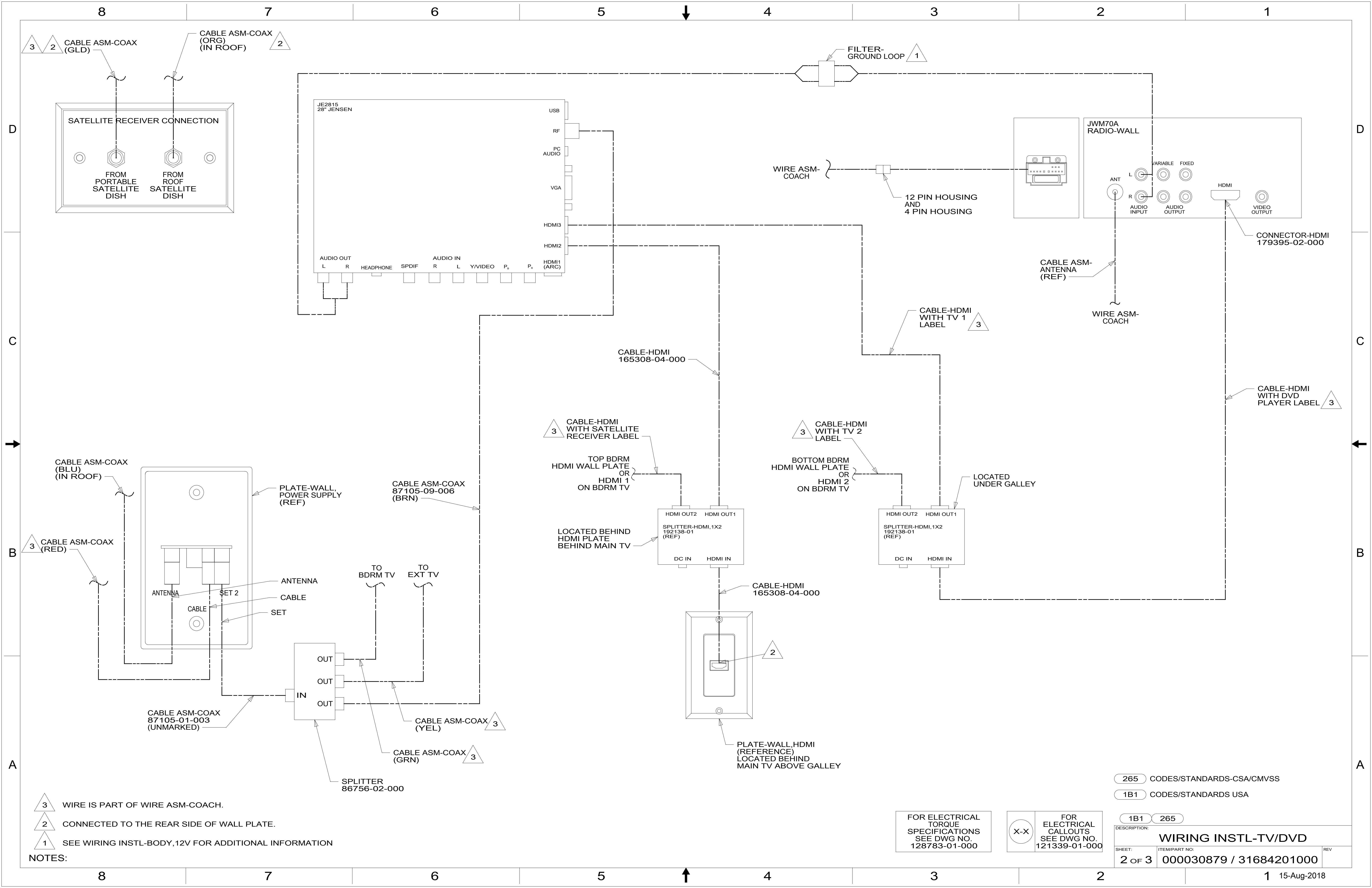
DSNR:	ALL DIMENSIONS ARE IN MILLIMETERS	
DIFFR:	MATERIAL:	
UNSPECIFIED TOLERANCES:	WHOLE DIM (X) :	3
	ONE-PLACE (X.X) :	1.5
	TWO-PLACE (X.XX) :	0.50
	ANGLE :	1°
REFER TO ES0018 FOR FASTENER TIGHTENING GUIDELINES	WEIGHT: (LBS)	FIRST USED:
		17 524V

FOR ELECTRICAL TORQUE SPECIFICATIONS SEE DWG NO. 128783-01-000

FOR ELECTRICAL CALLOUTS SEE DWG NO. 121339-01-000

DESCRIPTION: WIRING INSTL-TV/DVD		
SHEET: 1 OF 3	ITEM/PART NO: 000030879 / 31684201000	REV:
REF:	1	15-Aug-2018

8 7 6 5 4 3 2 1



- NOTES:
- 3 WIRE IS PART OF WIRE ASM-COACH.
 - 2 CONNECTED TO THE REAR SIDE OF WALL PLATE.
 - 1 SEE WIRING INSTL-BODY, 12V FOR ADDITIONAL INFORMATION

265 CODES/STANDARDS-CSA/CMVSS
 1B1 CODES/STANDARDS USA

FOR ELECTRICAL TORQUE SPECIFICATIONS SEE DWG NO. 128783-01-000

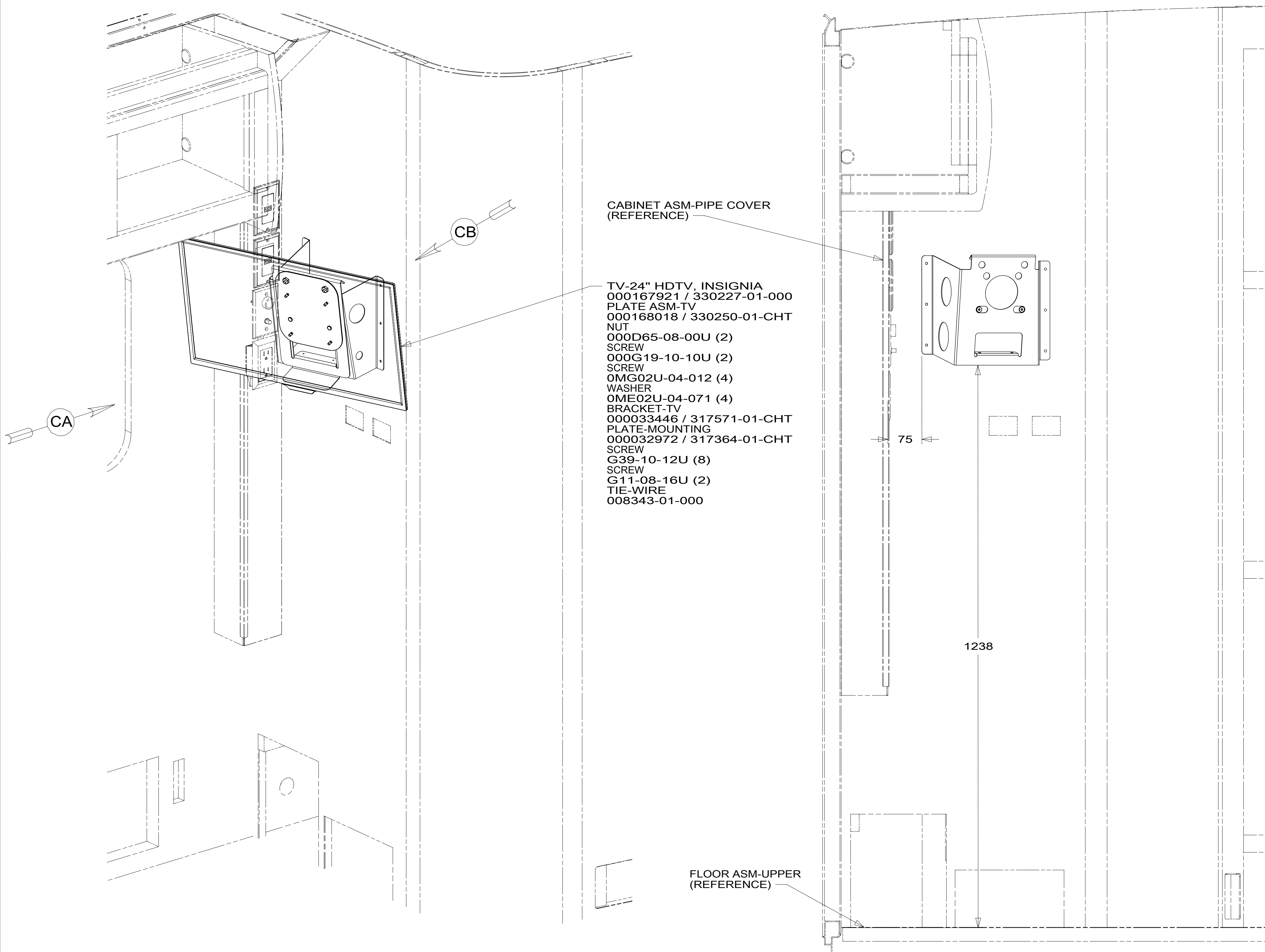
X-X FOR ELECTRICAL CALLOUTS SEE DWG NO. 121339-01-000

DESCRIPTION:		1B1 265	
WIRING INSTL-TV/DVD			
SHEET:	ITEM/PART NO.:	REV	
2 OF 3	000030879 / 31684201000		

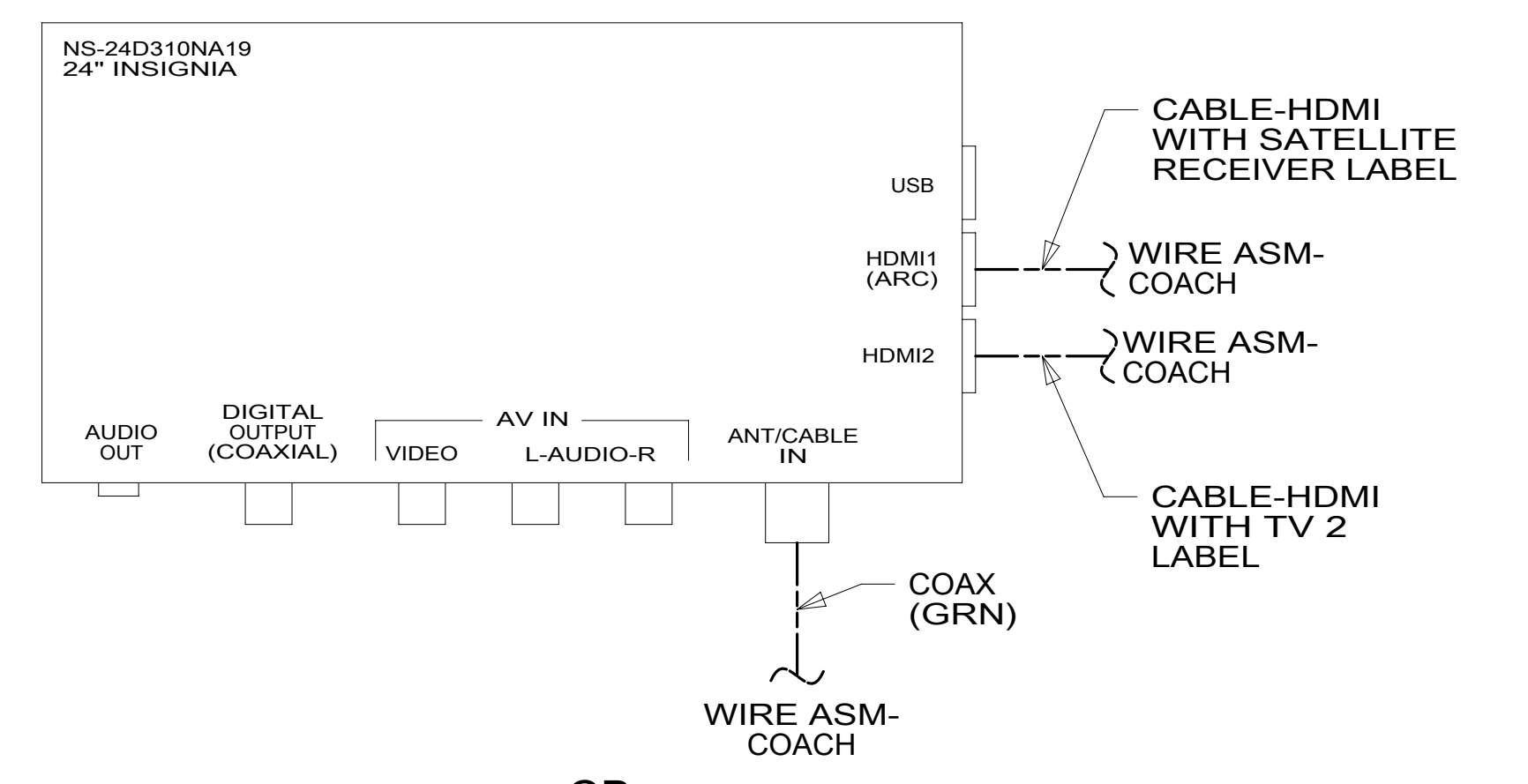
8 7 6 5 4 3 2 1

D
C
B
A

D
C
B
A



- CABINET ASM-PIPE COVER (REFERENCE)
- TV-24" HDTV, INSIGNIA
000167921 / 330227-01-000
PLATE ASM-TV
000168018 / 330250-01-CHT
NUT
000D65-08-00U (2)
SCREW
000G19-10-10U (2)
SCREW
0MG02U-04-012 (4)
WASHER
0ME02U-04-071 (4)
BRACKET-TV
000033446 / 317571-01-CHT
PLATE-MOUNTING
000032972 / 317364-01-CHT
SCREW
G39-10-12U (8)
SCREW
G11-08-16U (2)
TIE-WIRE
008343-01-000



VIEW CB

VIEW CA

- 68X TV - BEDROOM
- 265 CODES/STANDARDS-CSA/CMVSS
- 1B1 CODES/STANDARDS USA

FOR ELECTRICAL TORQUE SPECIFICATIONS SEE DWG NO. 128783-01-000

FOR ELECTRICAL CALLOUTS SEE DWG NO. 121339-01-000

DESCRIPTION:	1B1 265 68X	
WIRING INSTL-TV/DVD		
SHEET:	ITEM/PART NO:	REV
3 OF 3	000030879 / 31684201000	