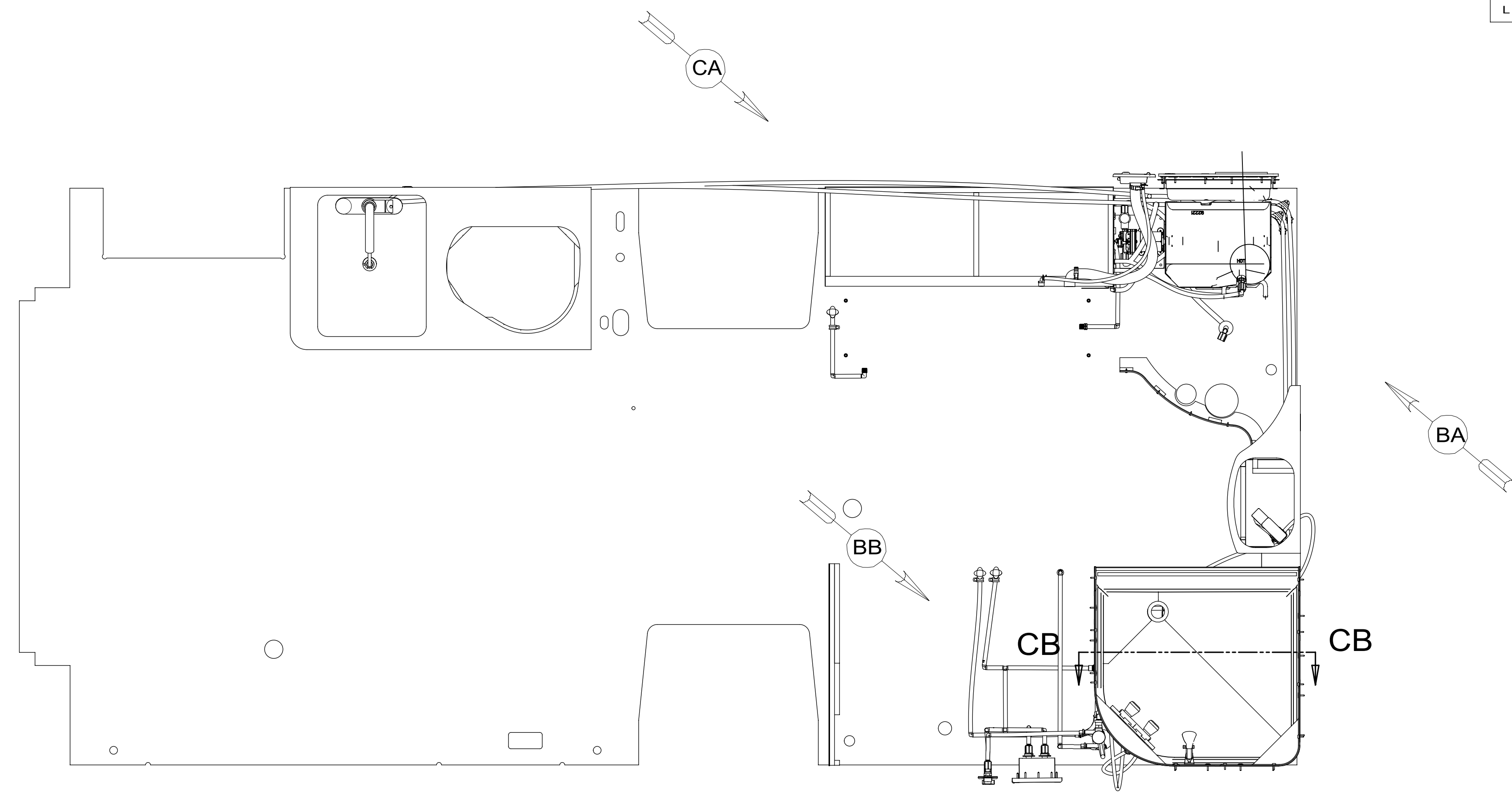


REV	ZONE	REVISION RECORD	DATE	DFTR-ORIG
A	---	INITIAL RELEASE	08/18/16	3650-7487
B	---	REPL. FITTS. ALL SHTS	9-23-16	1600-1600
C	S2,3	CHANGE WATER LINES AROUND PUMP FOR PROPER VALVE FITMENT	11/02/16	3650-2747
D	S3	321018-01-CHT WAS 187516-01-CHT	03/29/17	9080
E	S2,3	ADD CALLOUT FOR HOSE-QUICK CONNECT SH-2 WAS SH-1	06/05/17	9080-1600
F	SHT3	REMOVE 194093-01-CHT	06/14/17	9080-5472
G	S2B2	TU-9/120 WAS TU-9/95	09/26/17	9080-7487
H	SHT2	016188-08-000 WAS 016188-09-000	10/30/17	9080-5841
J	SHT2	REMOVE 2 C-7'S	1/4/18	2803-5841
K	---	UPDATE	01/18/18	9080-1600
L	SHT2	016188-10-000 WAS -08-000	02/01/18	9080-5841



9. ALL CRIMP FITTINGS TO 3/4" PEX TUBING REQUIRE 3/4" CLAMP 000156247 / 326668-01-000.
8. ALL CRIMP FITTINGS TO 1/2" PEX TUBING REQUIRE 1/2" CLAMP 000156249 / 326670-01-000.
7. ALL CRIMP FITTINGS TO 5/8" FLEX TUBING REQUIRE 5/8" CLAMP 000156248 / 326669-01-000.
6. LABEL HOT AND COLD SUPPLY TUBES AND TAPE FITTING TO TUBE BEFORE CABINET SET TO PREVENT MOVEMENT.
5. ADD PIPE WRAP (LADDER SCRAP 110157-02-000) INSULATION.
4. ADD TEFLON TAPE 010405-02-000.
3. ALL TUBING TO BE SECURED AT 1200 INTERVALS MAXIMUM WITH CLAMP 010495-01-000 AND SCREW 000G67-10-12U OR EQUIVALENT.
2. TUBING TO BE INSTALLED WITH SUFFICIENT SLOPE TO PROVIDE DRAINAGE TO NEAREST VALVE.
1. PLASTIC FITTINGS TO BE SEALED WITH SEALANT 084456-01-000.

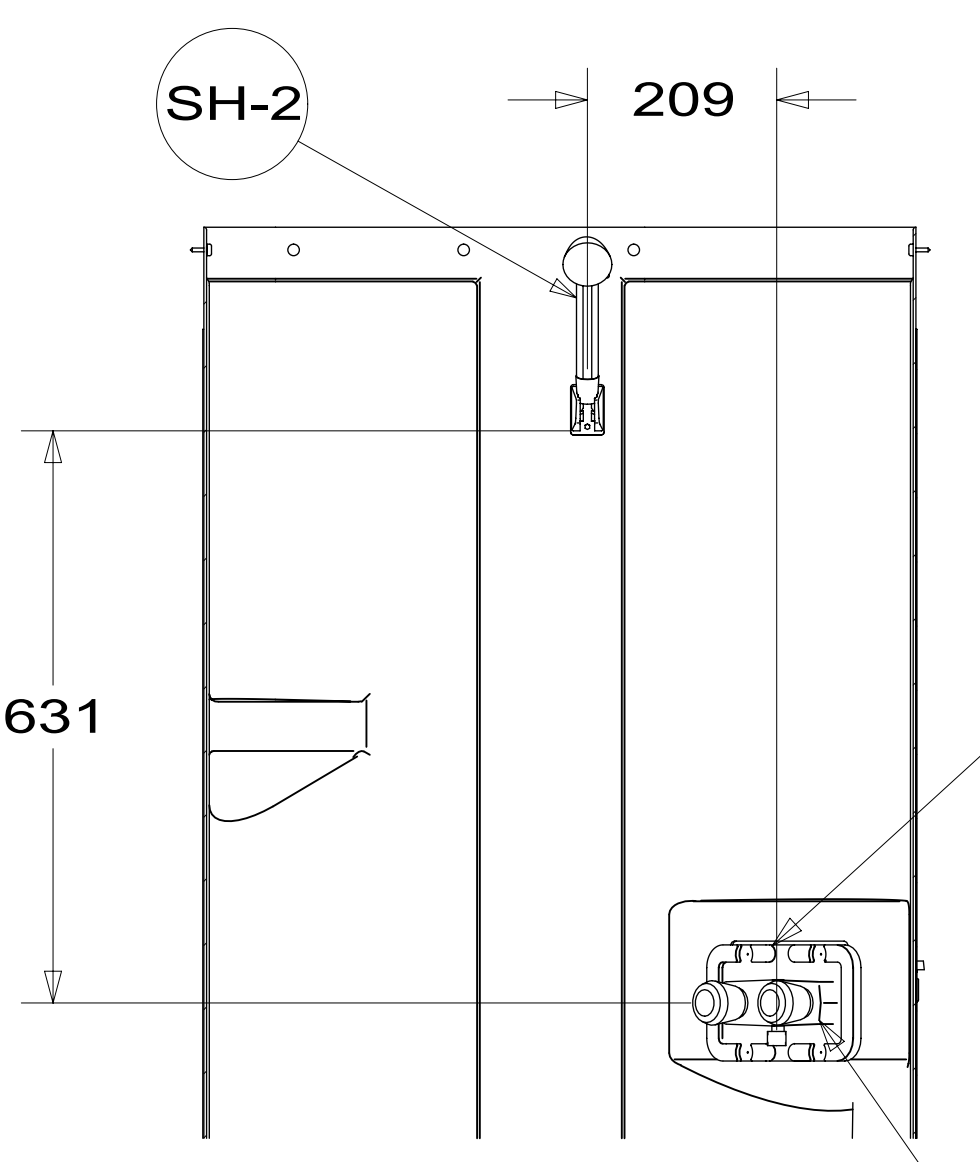
NOTES:

X-X  
FOR  
WATER  
CALLOUTS  
SEE DWG NO.  
000209446 /  
303369-01-000

**WINNEBAGO**  
COPYRIGHT 2018 WINNEBAGO INDUSTRIES, INC.

DSNR:		ALL DIMENSIONS ARE IN MILLIMETERS	
DFTR:			
UNSPECIFIED TOLERANCES:		MATERIAL:	
WHOLE DIM (X)	3		
ONE-PLACE (X.X)	1.5		
TWO-PLACE (X.XX)	0.50		
ANGLE	1°		
REFER TO ES0018 FOR FASTENER TIGHTENING GUIDELINES		WEIGHT: (LBS)	FIRST USED: (REF)
			<b>17 423A</b>
<b>DESCRIPTION:</b>			
<b>WATER SYSTEM INSTL</b>			
SHEET:	ITEM/PART NO:	REV	
<b>1 OF 3</b>	<b>000029775 / 31651501000</b>		
REF:		1 05-Feb-2018	

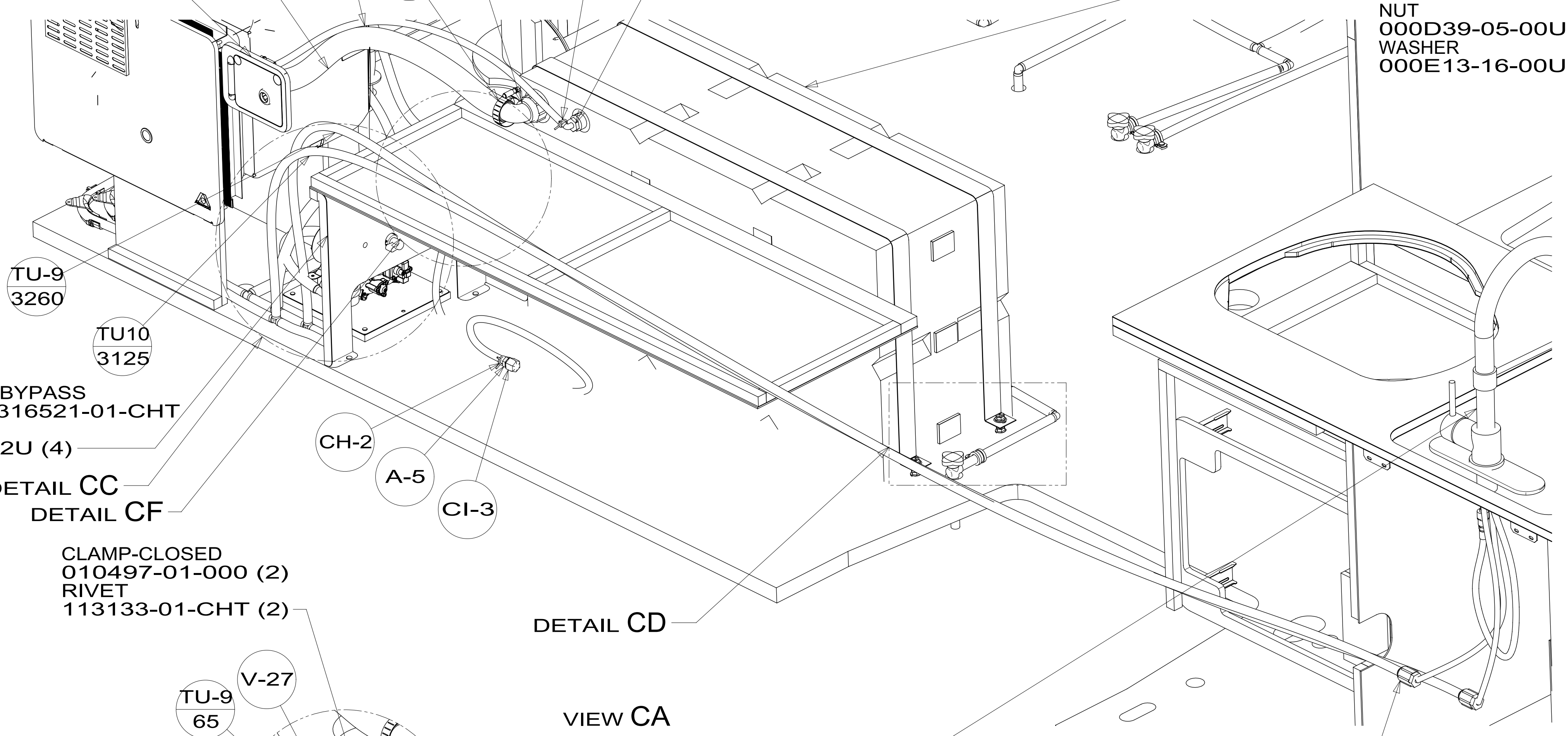




PANEL-SHOWER FAUCET  
167738-02-CHT  
NUT-SPEED  
040921-05-000 (4)

SECTION CB-CB  
(ROTATED)  
F-2

FILL-WATER, GRAVITY  
131081-04-XXX  
TU-4 650  
TU-3 720  
CH-1 2  
E-11  
CH-2 2  
E-28



TANK ASM-WATER, 27 GAL  
045195-16-000  
STRAP ASM-TANK, WATER  
118994-17-CHT (2)  
NUT  
000D39-05-00U (8)  
WASHER  
000E13-16-00U (8)

PANEL-VALVE, BYPASS  
000029781 / 316521-01-CHT  
SCREW  
000G67-10-12U (4)

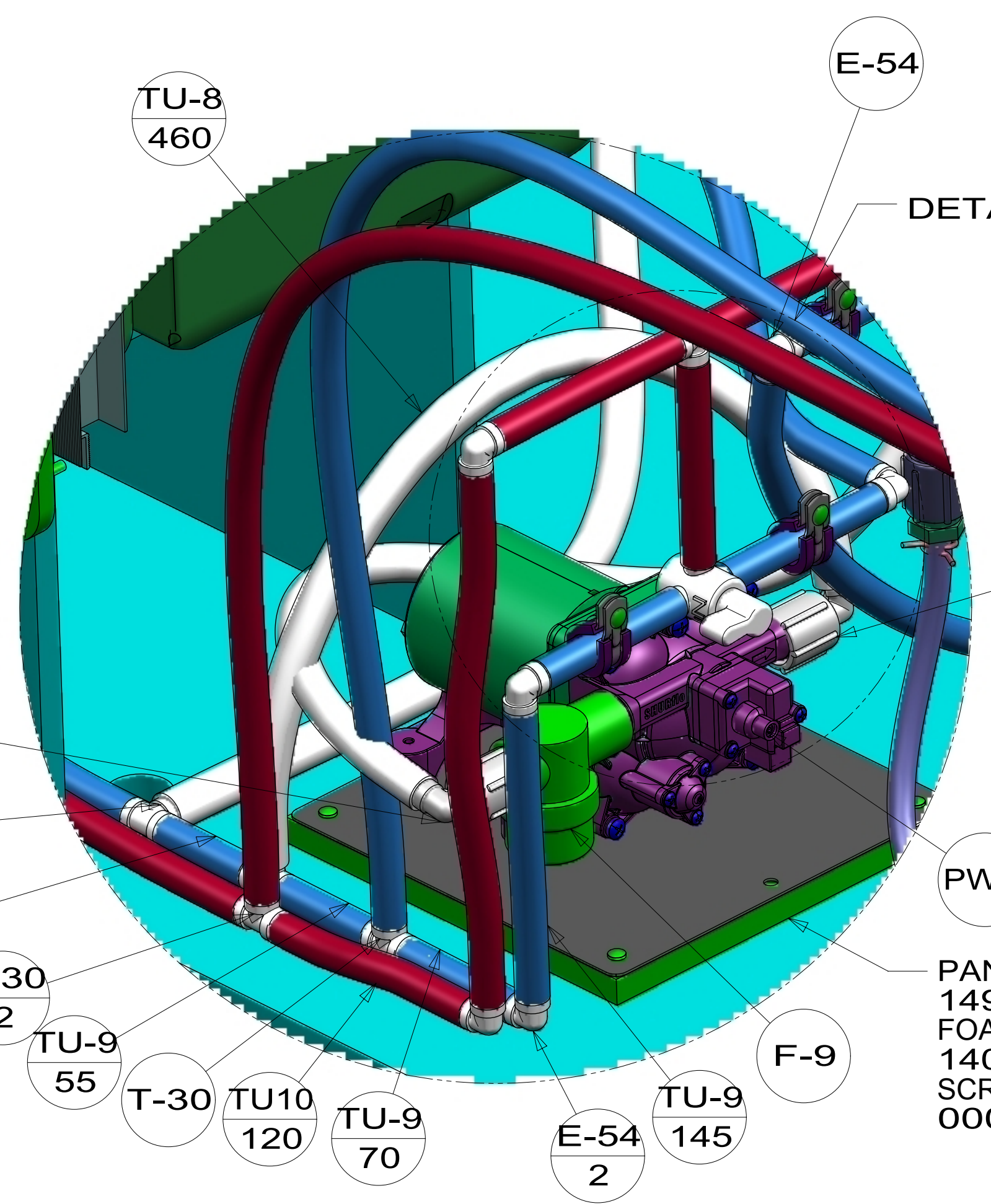
DETAIL CC  
DETAIL CF

CLAMP-CLOSED  
010497-01-000 (2)  
RIVET  
113133-01-CHT (2)

DETAIL CD

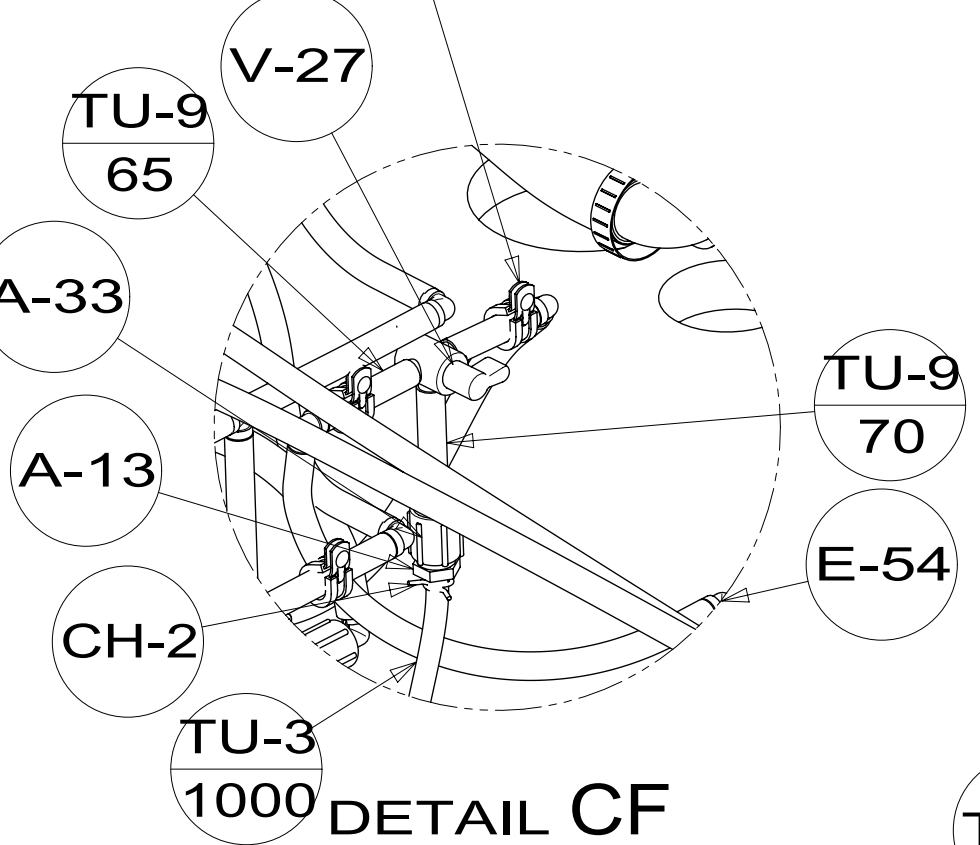
VIEW CA

FAUCET-GAL  
000045636 / 321018-01-CHT  
PLATE-DECK, FAUCET  
187516-02-CHT

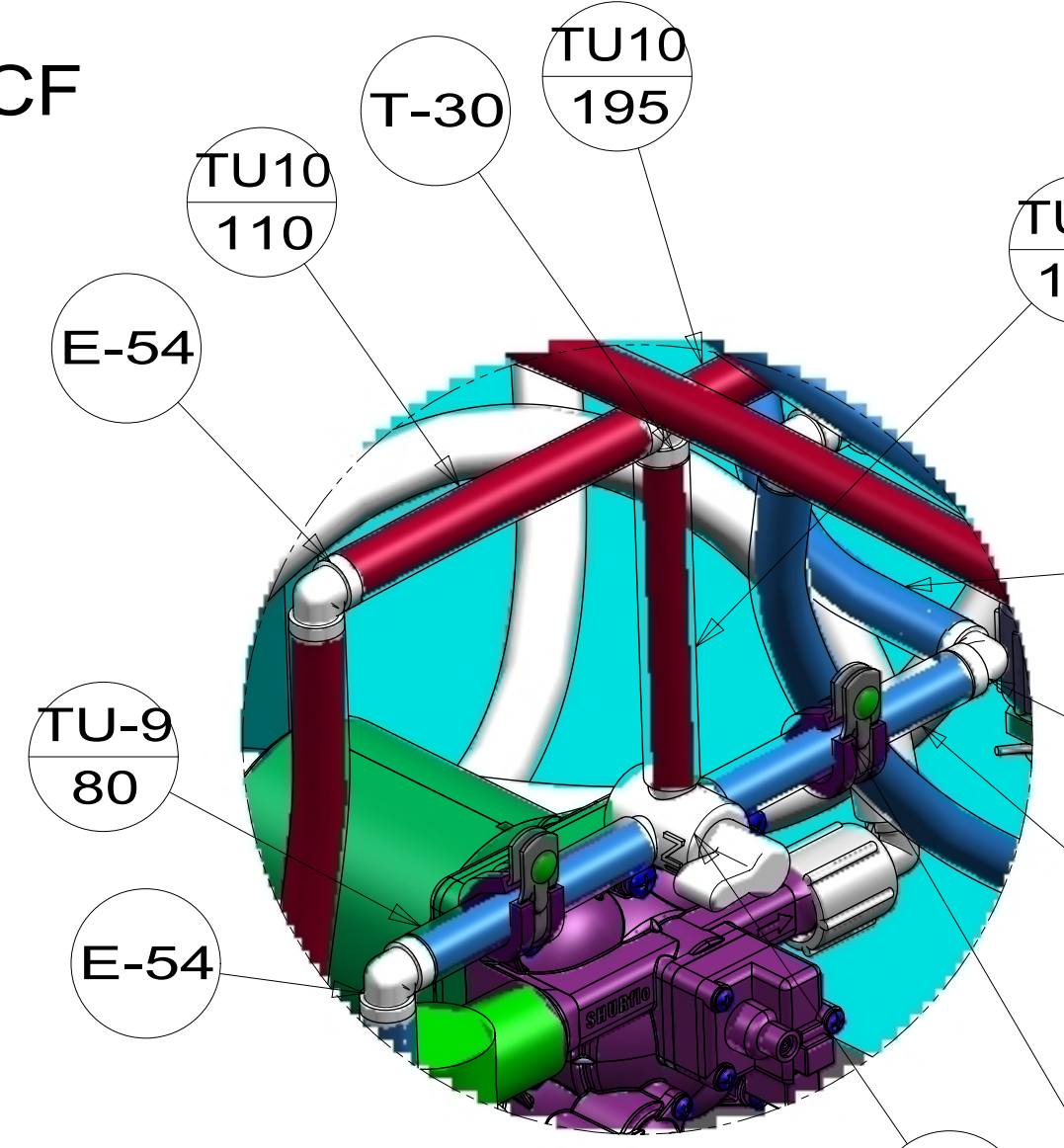


TU-8 460  
E-54  
E-53  
T-30  
TU-9 55  
T-30 2  
TU-9 55  
T-30  
TU10 120  
TU-9 70  
E-54 2  
F-9  
PW-5 SCREW  
000G39-08-16U (4)  
PANEL-WATER PUMP  
149477-08-CHT  
FOAM  
140364-01-CHT  
SCREW  
000G11-08-16U (4)

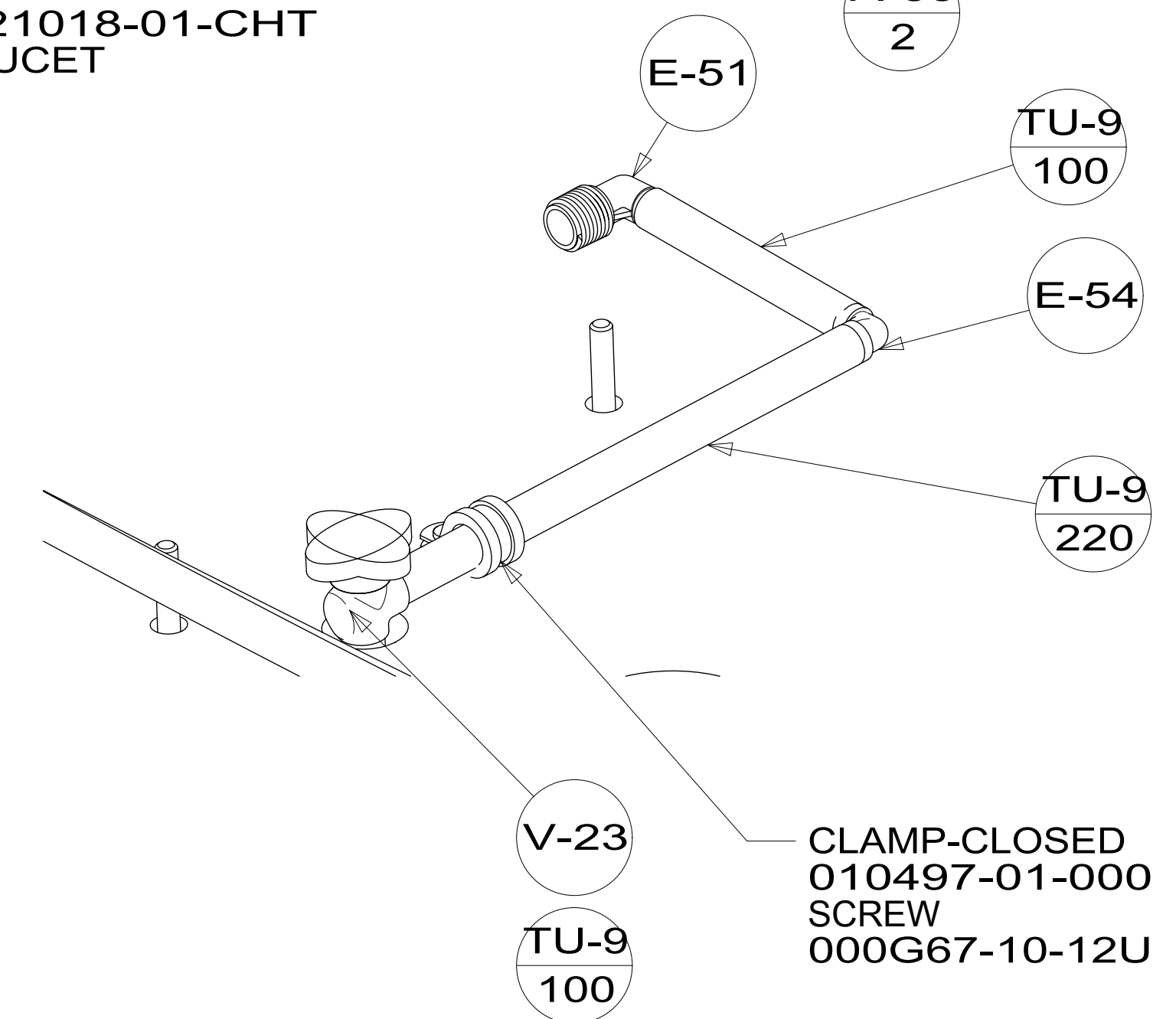
DETAIL CC  
(SHOWN W/OUT PANEL)



DETAIL CE  
A-33  
A-13  
CH-2  
TU-9 65  
V-27  
TU-9 70  
E-54  
TU-3 1000  
DETAIL CF



DETAIL CE  
E-54  
TU10 110  
T-30  
TU10 195  
TU10 100  
TU-9 520  
E-54  
TU-9 90  
V-27  
CLAMP-CLOSED  
010497-01-000 (2)  
RIVET  
113133-01-CHT (2)



DETAIL CD  
(SHOWN W/OUT TANK ASM)

V-23  
TU-9 100  
CLAMP-CLOSED  
010497-01-000  
SCREW  
000G67-10-12U

DESCRIPTION:		
WATER SYSTEM INSTL		
SHEET:	ITEM/PART NO.:	REV
3 OF 3	000029775 / 31651501000	