

- 13. ATTACH SEAL TO BRACE WHERE IT CONTACTS HEATER PAD.
- 12. CUT PART TO 90MM.
- 11. PREP THE SURFACE PER MANUFACTURERS INSTRUCTIONS BEFORE APPLYING THE HEATING PAD.
- 10. SEE WIRING INSTL-BODY FOR ELECTRICAL CONNECTION.
- 9. SEE DRAWING 061607 FOR INSTALLATION OF GROMMETS.
- 8. SECURE DRAINAGE PIPES TO CABINET USING WIRE TIE 108046-02-000, AND SCREW 000G67-10-12U AT INTERVALS OF NOT MORE THAN 4 FEET APART.
- 7. SECURE VENT PIPE TO FLOOR WITH CLAMP 000156237 / 326663-02-000 (2), SCREW 000G67-10-12U (2), BRACKET 136878-01-CHT (2).
- 6. VENT PIPE MUST PROJECT 51 MIN AND 64 MAX ABOVE ROOF FOR PROPER FIT AND FUNCTION. ADD S-1 (000156099 / 326607-01-CHT SEAL-VENT PIPE) AROUND PIPE ON ROOF BEFORE VENT CAP IS INSTALLED.
- 5. SEAL AROUND SHOWER WITH SILICONE.
- 4. USE SMOOTH PLUMBERS PUTTY 167459-01-000 TO SEAL STRAINER (0.2 PER STRAINER).
- 3. ALL PIPE AND FITTINGS TO BE ASSEMBLED WITH SOLVENT 004020-01-000 (USA), 004020-02-000 (CAN)
- 2. SLOPE OF TRAP ARM MUST BE 6 PER 305 mm.
- 1. SLOPE OF HORIZONTAL PIPING TO BE MINIMUM OF 3 PER 305 mm.

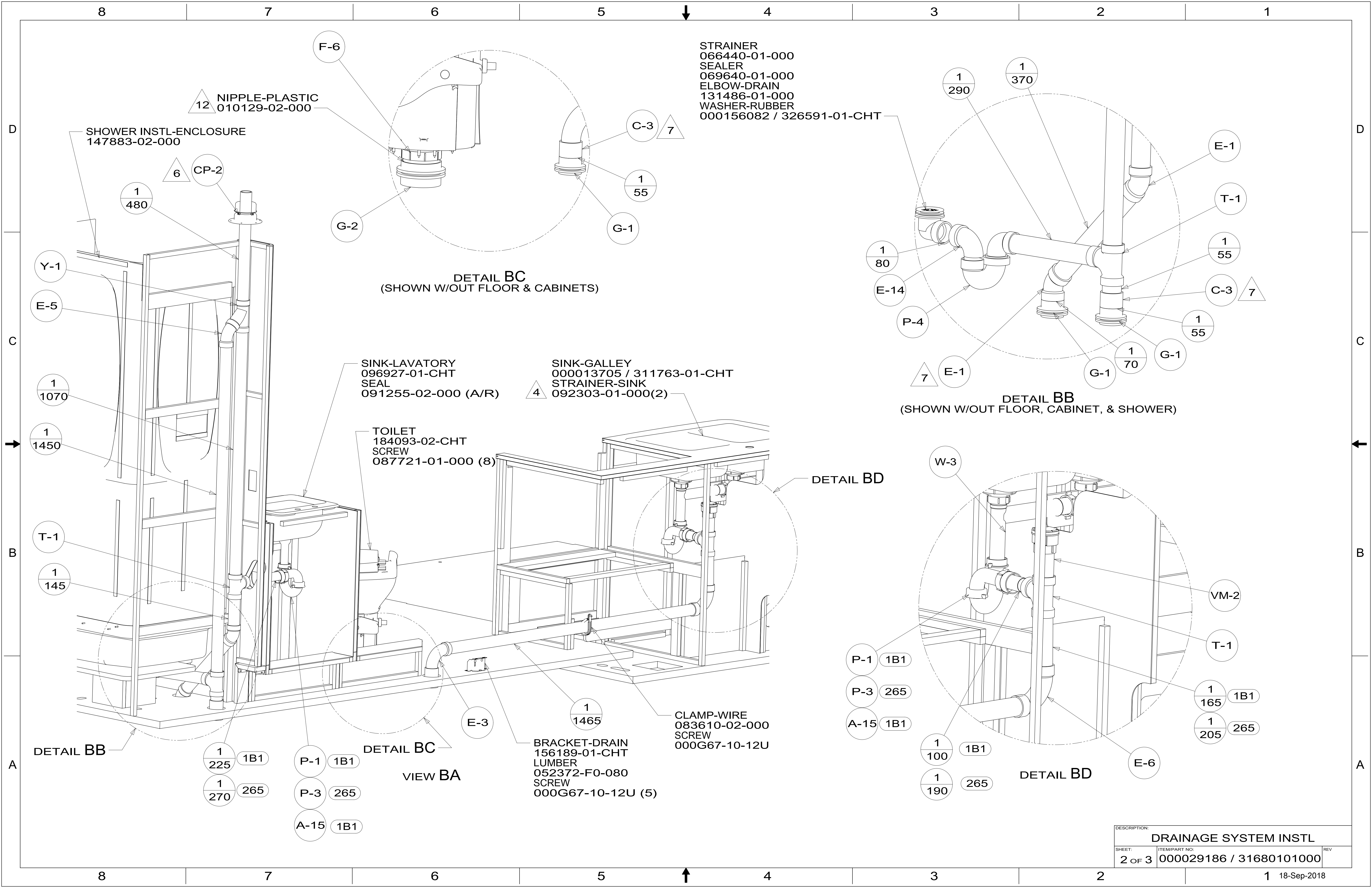
- 265 CODES/STANDARDS-CSA/CMVSS
- 23T DRAINAGE SYSTEM-HEATED
- 1B1 CODES/STANDARDS USA

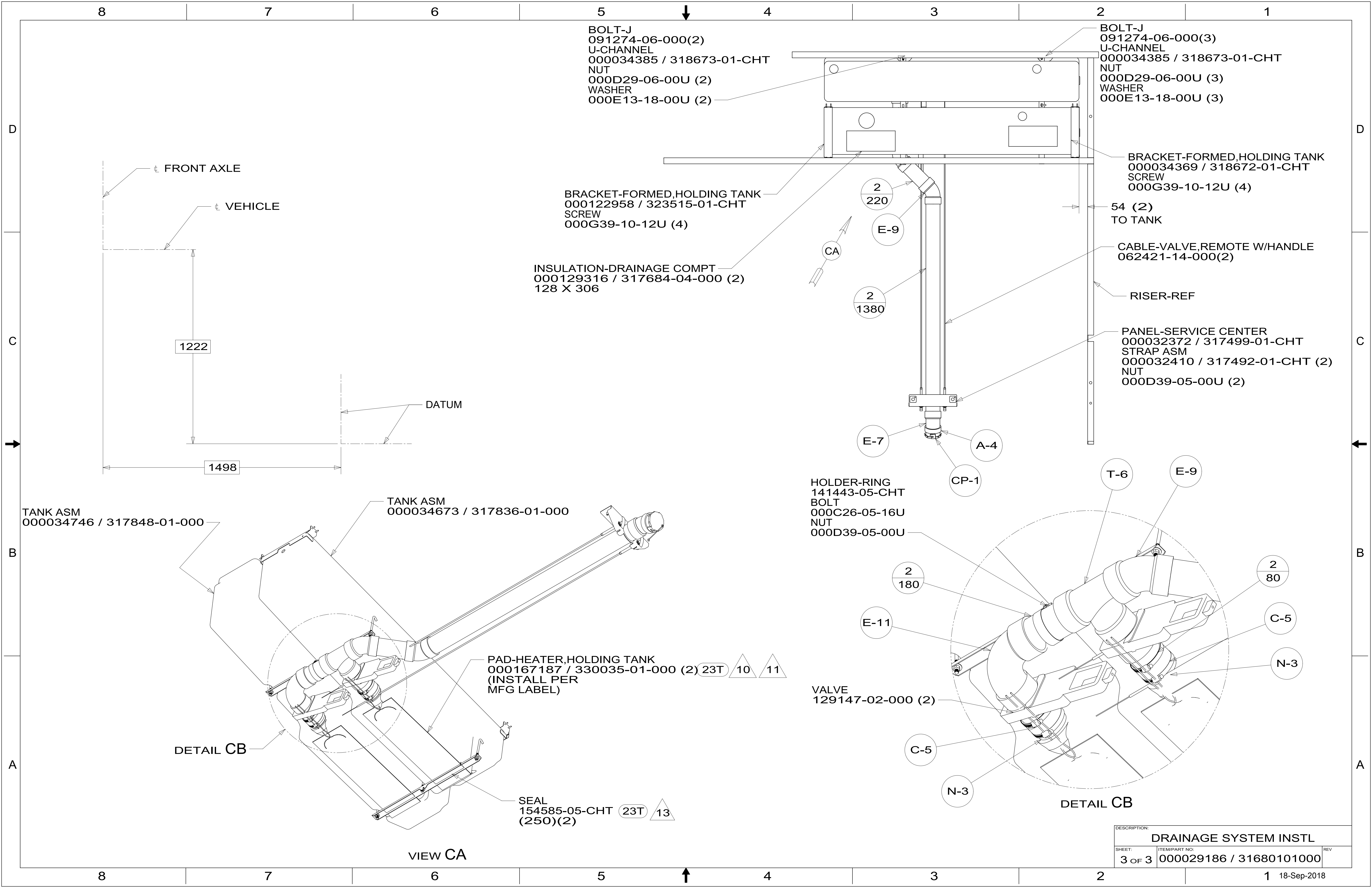
**WINNEBAGO**  
COPYRIGHT 2018 WINNEBAGO INDUSTRIES, INC.

DSNR:		ALL DIMENSIONS ARE IN MILLIMETERS	
DIFFR:			
UNSPECIFIED TOLERANCES:		MATERIAL:	
WHOLE DIM (X)	3		
ONE-PLACE (X.X)	1.5		
TWO-PLACE (X.XX)	0.50		
ANGLE	1°		
REFER TO ES0018 FOR FASTENER TIGHTENING GUIDELINES		WEIGHT: (LBS)	FIRST USED: (REF)
			18 322M
<b>DESCRIPTION:</b>			
<b>DRAINAGE SYSTEM INSTL</b>			
SHEET:	ITEM/PART NO.:	REV	
1 OF 3	000029186 / 31680101000		
REF:		1 18-Sep-2018	

X-X  
FOR DRAINAGE CALLOUTS  
SEE DWG NO.  
000211962 /  
303370-01-000

NOTES:





BOLT-J  
 091274-06-000(2)  
 U-CHANNEL  
 000034385 / 318673-01-CHT  
 NUT  
 000D29-06-00U (2)  
 WASHER  
 000E13-18-00U (2)

BOLT-J  
 091274-06-000(3)  
 U-CHANNEL  
 000034385 / 318673-01-CHT  
 NUT  
 000D29-06-00U (3)  
 WASHER  
 000E13-18-00U (3)

BRACKET-FORMED,HOLDING TANK  
 000122958 / 323515-01-CHT  
 SCREW  
 000G39-10-12U (4)

BRACKET-FORMED,HOLDING TANK  
 000034369 / 318672-01-CHT  
 SCREW  
 000G39-10-12U (4)

INSULATION-DRAINAGE COMPT  
 000129316 / 317684-04-000 (2)  
 128 X 306

54 (2)  
 TO TANK

CABLE-VALVE,REMOTE W/HANDLE  
 062421-14-000(2)

RISER-REF

PANEL-SERVICE CENTER  
 000032372 / 317499-01-CHT  
 STRAP ASM  
 000032410 / 317492-01-CHT (2)  
 NUT  
 000D39-05-00U (2)

HOLDER-RING  
 141443-05-CHT  
 BOLT  
 000C26-05-16U  
 NUT  
 000D39-05-00U

VALVE  
 129147-02-000 (2)

FRONT AXLE  
 VEHICLE

1222

1498

DATUM

TANK ASM  
 000034746 / 317848-01-000

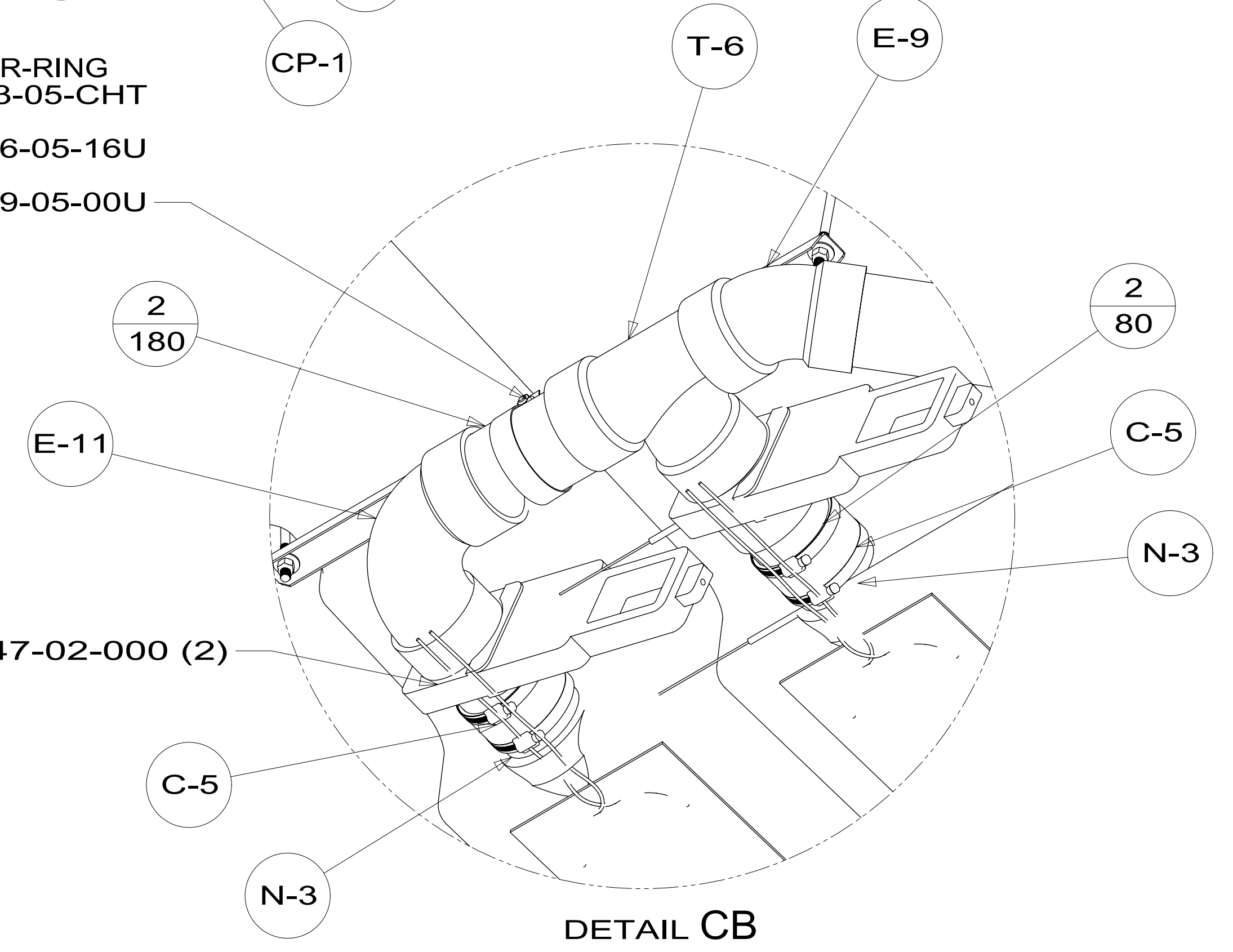
TANK ASM  
 000034673 / 317836-01-000

PAD-HEATER,HOLDING TANK  
 000167187 / 330035-01-000 (2) 23T 10 11  
 (INSTALL PER  
 MFG LABEL)

DETAIL CB

SEAL  
 154585-05-CHT 23T 13  
 (250)(2)

VIEW CA



DETAIL CB

DESCRIPTION: <b>DRAINAGE SYSTEM INSTL</b>		
SHEET: 3 OF 3	ITEM/PART NO: 000029186 / 31680101000	REV