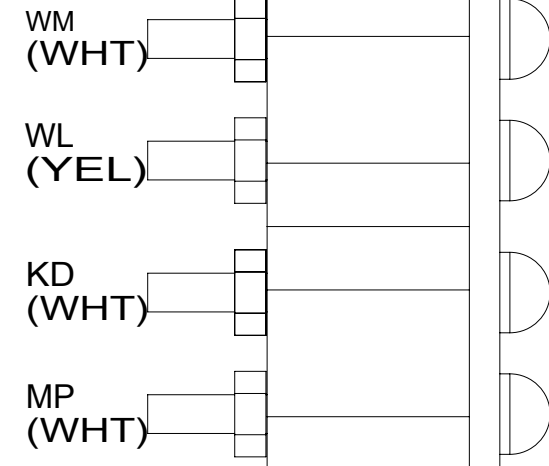


DETAIL AC

THIS SIDE POINTED TO TOP OF DOOR



DETAIL AB

- 14 WIRE TIE SAT TUNER TO DASH RADIO WIRING.
- 13 RUN CABLE THRU LEFT HAND COVE TO FRONT OF UNIT AND DOWN LEFT A-POST TO MONITOR.
- 12 ROUTE UP A-POST TO RUN THRU ROOF.
- 11 CONNECT 2-12 PIN HSGS TO EACH OTHER WITHOUT (57P)
- 10 ROUTE CABLE TO EXTERIOR MIRRORS. CAMERA IS IN MIRROR.
- 9 ROUTE CABLE TO EXTERIOR THRU HOLE IN PANEL ALONG WITH HEATER WIRING TO RIGHT CAMERA.
- 8 ALIGN CAMERA IN CENTER OF SHROUD OPENING AND ADJUST SO BACKWALL IS JUST VISIBLE.
- 7 PARTS SUPPLIED WITH REAR CAMERA.
- 6 SWITCH MOUNTS IN GENERATOR TRAY RELEASE HANDLE. SEE GENERATOR INSTL FOR ADDITIONAL INFORMATION.
- 5 SEE ANTENNA INST-RADIO & CB FOR ADDITIONAL INFO.
- 4 APPLY FOAM TAPE TO BOTTOM OF FAN TO SEAL FAN TO PANEL.
- 3 CABLE SUPPLIED WITH SATELLITE RADIO RECEIVER. PLUG INTO BACK OF RADIO & TIE TO IP,MAIN. ROUTE UP A-POST WITH RADIO ANTENNA WIRE.

NOTES:

- 2. USE SEAL-TRIM 113452-01-000 TO PROTECT WIRES FROM SHARP EDGES.
- 1. SEE WIRING INSTL-CHASSIS FOR ADDITIONAL INFORMATION.

- 4 FAN-DEFROSTER 154851-01-000 TAPE-FOAM 99069-01-000 (120)(4) (45)(2) SCREW G11-08-12B (6) PANEL-PLENUM 170841-04-CHT SCREW G39-10-12U (6) ADAPTER-HOSE 171749-01-CHT (2) HOSE 179183-01-000 (650)

- 11 57P AMPLIFIER 193630-02-000 SCREW G39-10-08U (4) WIRE ASM-AMP 194217-01-000 194217-02-000 194217-03-000
- 2 PIN HSG TO CLEARANCE LIGHTS
- (2) BUTT SPLICES TO SKYLIGHT SHADE RRM-BLK RRM-BLK/WHT GROMMET 61603-01-000

- MODULE-TPMS 000028270 / 316211-01-000 SCREW 000G11-12-20U (2) CABLE ASM-TPMS MODULE 000029306 / 316431-01-000

- 12 CABLE-MONITOR 180731-02-000

- 571 SPEAKER 171547-01-CHT (2) SCREW G11-08-20U (8) SPEAKER 000020426 / 314044-01-000 (3) SCREW G11-08-20U (12)

- 36C MOBILEYE 630-R SERIES, 500K 000121823 / 323132-01-000

- GA FILTER-NOISE, 12V 128074-02-000

- WIRE ASM-IP,MAIN 000183191 / 302789-01-000

- SWITCHES DETAIL DB

- CLAMP 010497-02-000

- 6 & 2 PIN HOUSING TO LEFT MIRROR

- 10 CABLE-MONITOR 180731-03-000

- 6 SWITCH-GENERATOR SLIDE 108357-06-000 ACTUATOR 108356-01-000

- BRACKET-RELAY PANEL 145448-01-CHT SCREW G67-10-08U (4)

- 12V BREAKER PANEL DETAIL CA

- DOOR ASM 145066-03-CHT SCREW G67-06-10U (6) SCREW G67-10-08U (4)

- 5 RADIO ANTENNA WIRE

- 3 CAMERA SWITCHER (REF) DETAIL FA

- 14 70D RADIO-KIT,SXM 000111632 / 321635-01-000

- (6) BUTT SPLICES TO SUNVISOR HHK-BLK HHL-BLK/GRY HHM-BLK HHN-BLK/GRY JJX-BRN (2)

- SOLAR SHADE NIGHT SHADE

- LIGHT-TAPE,LED 190025-68-CHT

- TO REAR CAMERA DETAIL AA

- 6 PIN HOUSING TO WIRE ASM-ROOF

- RECEPTACLE-12V 111414-01-000 DETAIL AC

- GROMMET 088756-01-000

- CABLE-MONITOR 180731-03-000

- NUT D29-04-00U (2)

- WASHER E13-14-00U (2)

- BRACKET-MOUNT, CAMERA 152022-05-CHT

- SCREW G39-10-12U (EXT) (2)

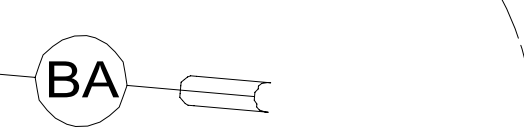
- CAMERA-REAR,COLOR,W/BRACKET 000124231 / 323840-01-000

- MOUNTS TO PANEL ASM-REAR CAP

- CAMERA BRACKET

DETAIL AA

- TO DOOR CONTACT PLATE DETAIL AB



DETAIL EB

- DA WIRE ASM-OVHD.FRONT 000005701 / 312358-01-000

- 57P BOX ASM WRAPPED, SPEAKER SUB WOOFER 000161998 / 328515-01-XXX SCREW G11-10-16U (4) SPEAKER-8" 193633-01-000 WIRE ASM-PIGTAIL 193633-04-000 SCREW G11-10-12U (4) GRILL 193633-03-000 PLATE-SPEAKER 194221-01-000 (2) SCREW G11-08-08U (8) SEAL 185989-07-CHT (360 MM) (2) SCREW G11-10-12U (4)

- GROMMET 071015-45-000

- PANEL ASM 145063-09-CHT SCREW G67-06-10U (6)

FOR ELECTRICAL TORQUE SPECIFICATIONS SEE DWG NO. 128783-01-000

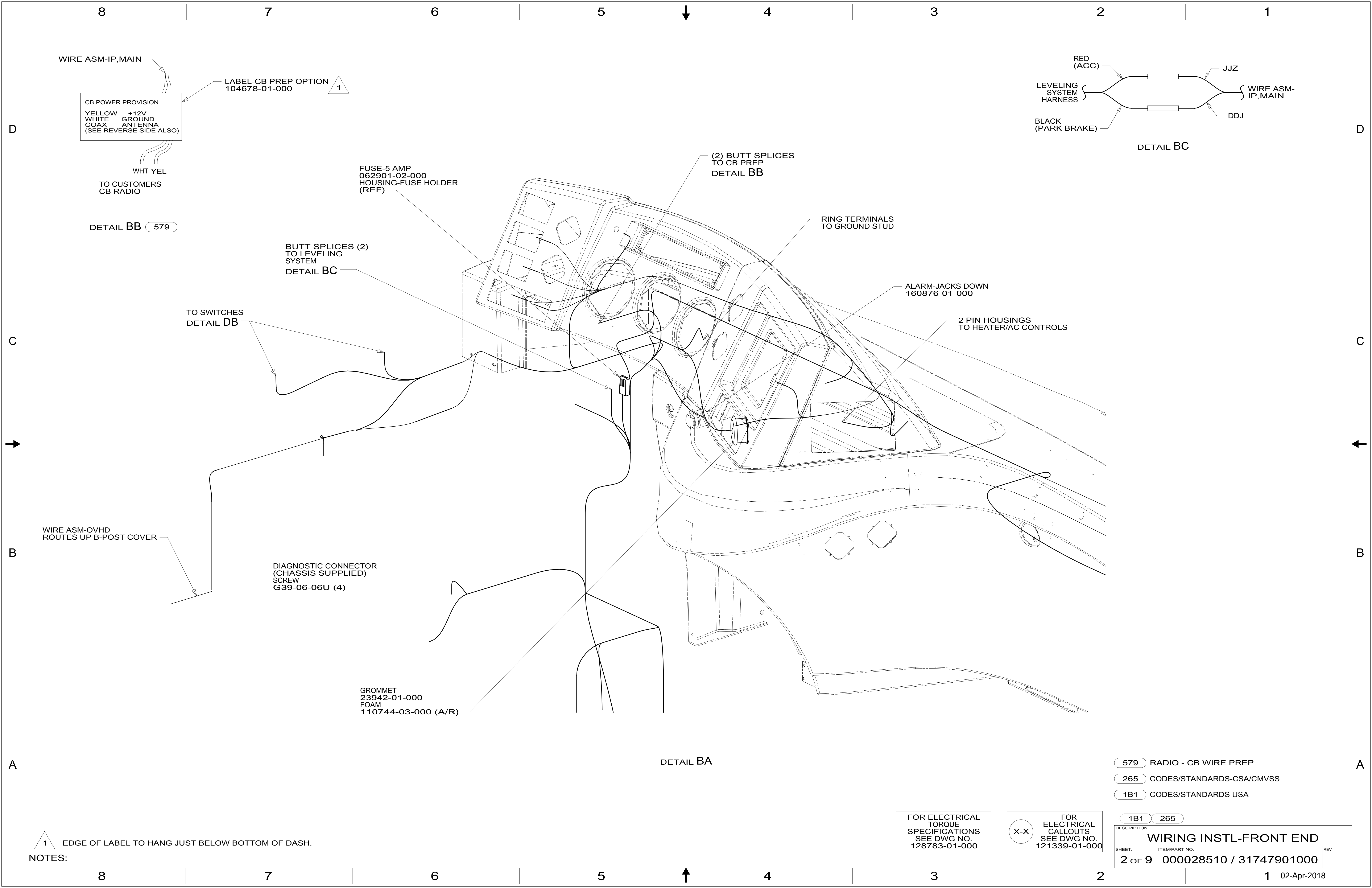
FOR ELECTRICAL CALLOUTS SEE DWG NO. 121339-01-000

- 571 RADIO SPEAKERS
- 57P RADIO SPEAKERS-PREMIUM SOUND
- 36C COLLISION AVOIDANCE SYSTEM
- 70D RADIO - SATELLITE SIRIUSXM
- 265 CODES/STANDARDS-CSA/CMVSS
- 1B1 CODES/STANDARDS USA

1B1 265

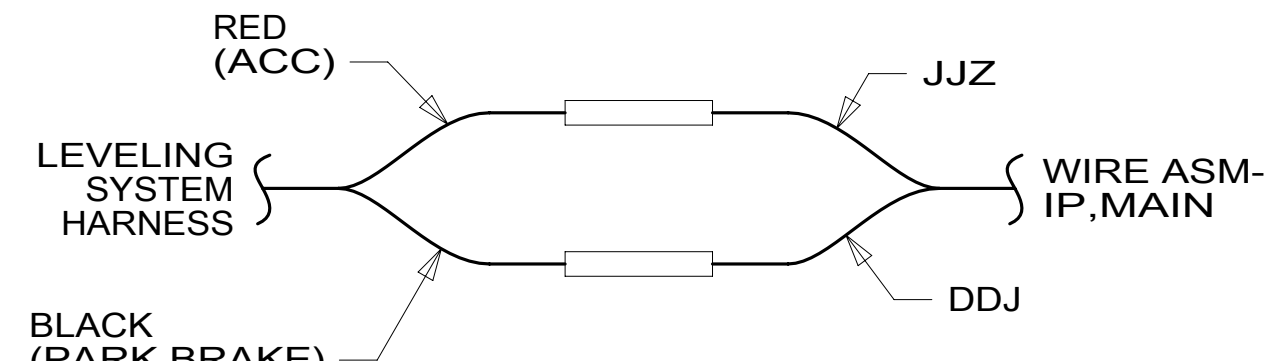
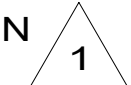
COPYRIGHT 2016 WINNEBAGO INDUSTRIES, INC.

DSNR:	ALL DIMENSIONS ARE IN MILLIMETERS	
DFFR:		
UNSPECIFIED TOLERANCES:		
WHOLE DIM (X)	3	
ONE-PLACE (X.X)	1.5	
TWO-PLACE (X.XX)	0.50	
ANGLE	1°	
REFER TO ES0018 FOR FASTENER TIGHTENING GUIDELINES	WEIGHT: (LBS)	FIRST USED:
		18 R-SER
DESCRIPTION:		
WIRING INSTL-FRONT END		
SHEET:	ITEM/PART NO.:	REV:
1 OF 9	000028510 / 31747901000	
REF:		



WIRE ASM-IP,MAIN
 CB POWER PROVISION
 YELLOW +12V
 WHITE GROUND
 COAX ANTENNA
 (SEE REVERSE SIDE ALSO)

LABEL-CB PREP OPTION
 104678-01-000



DETAIL BC

WHT YEL
 TO CUSTOMERS
 CB RADIO

DETAIL BB 579

FUSE-5 AMP
 062901-02-000
 HOUSING-FUSE HOLDER
 (REF)

(2) BUTT SPLICES
 TO CB PREP
 DETAIL BB

RING TERMINALS
 TO GROUND STUD

BUTT SPLICES (2)
 TO LEVELING
 SYSTEM
 DETAIL BC

ALARM-JACKS DOWN
 160876-01-000

TO SWITCHES
 DETAIL DB

2 PIN HOUSINGS
 TO HEATER/AC CONTROLS

WIRE ASM-OVHD
 ROUTES UP B-POST COVER

DIAGNOSTIC CONNECTOR
 (CHASSIS SUPPLIED)
 SCREW
 G39-06-06U (4)

GROMMET
 23942-01-000
 FOAM
 110744-03-000 (A/R)

DETAIL BA

- 579 RADIO - CB WIRE PREP
- 265 CODES/STANDARDS-CSA/CMVSS
- 1B1 CODES/STANDARDS USA

1 EDGE OF LABEL TO HANG JUST BELOW BOTTOM OF DASH.

NOTES:

FOR ELECTRICAL
 TORQUE
 SPECIFICATIONS
 SEE DWG NO.
 128783-01-000

FOR ELECTRICAL
 CALLOUTS
 SEE DWG NO.
 121339-01-000

DESCRIPTION:	
WIRING INSTL-FRONT END	
SHEET:	ITEM/PART NO:
2 OF 9	000028510 / 31747901000
REV	
	1 02-Apr-2018

HEADLAMP MODULE
(CHASSIS SUPPLIED)
SCREW
G1108-08U (2)

GROMMET
23942-01-000
SEAL

BRACKET-MOUNTING
118571-07-000 (2)
SCREW
G19-10-08U (4)

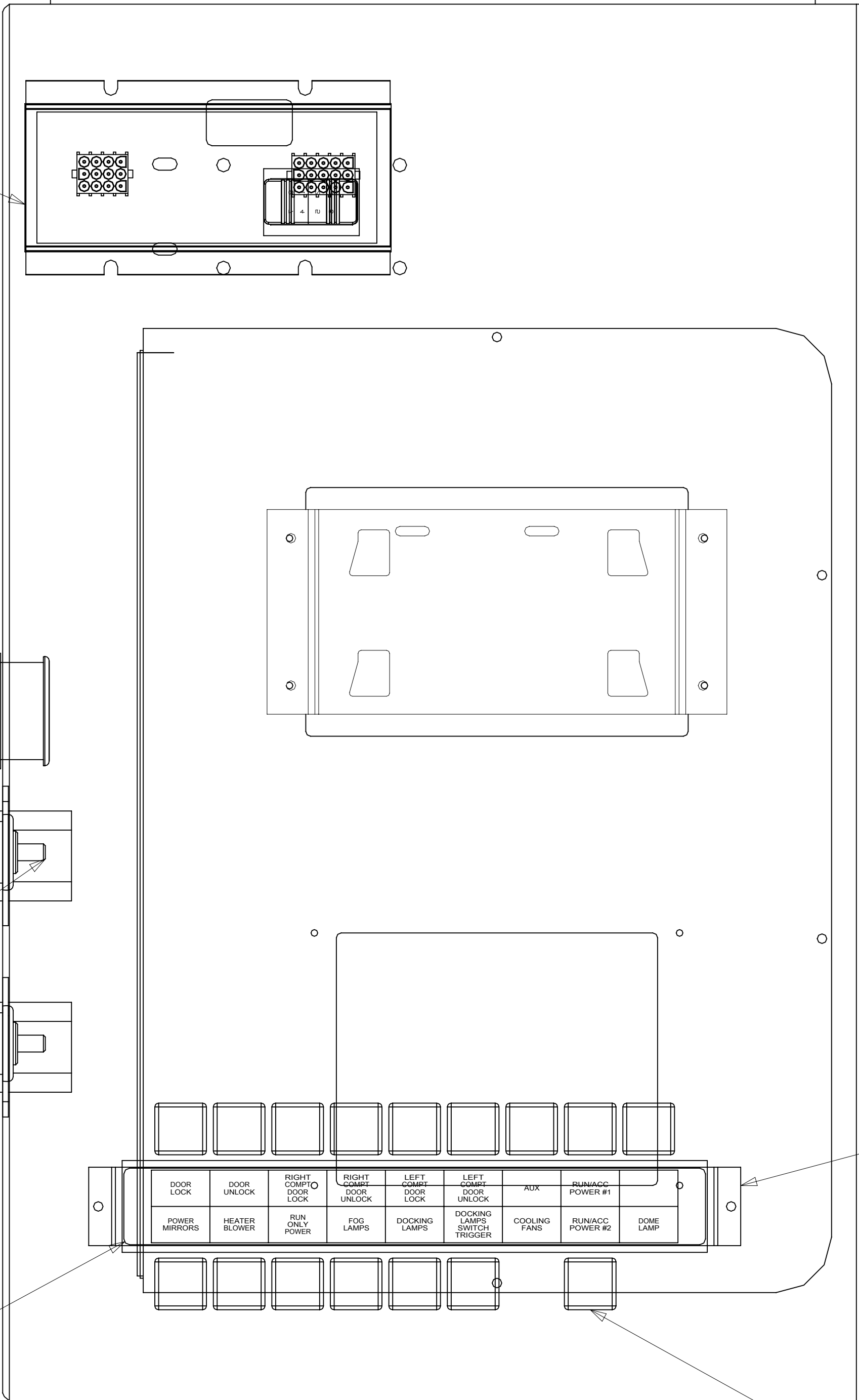
CHASSIS POWER

(2) 6 GA WIRES
FROM WIRE ASM-IP,MAIN

COACH POWER

STUD-FEED THRU
118499-01-000 (2)

LABEL
136161-06-CHT



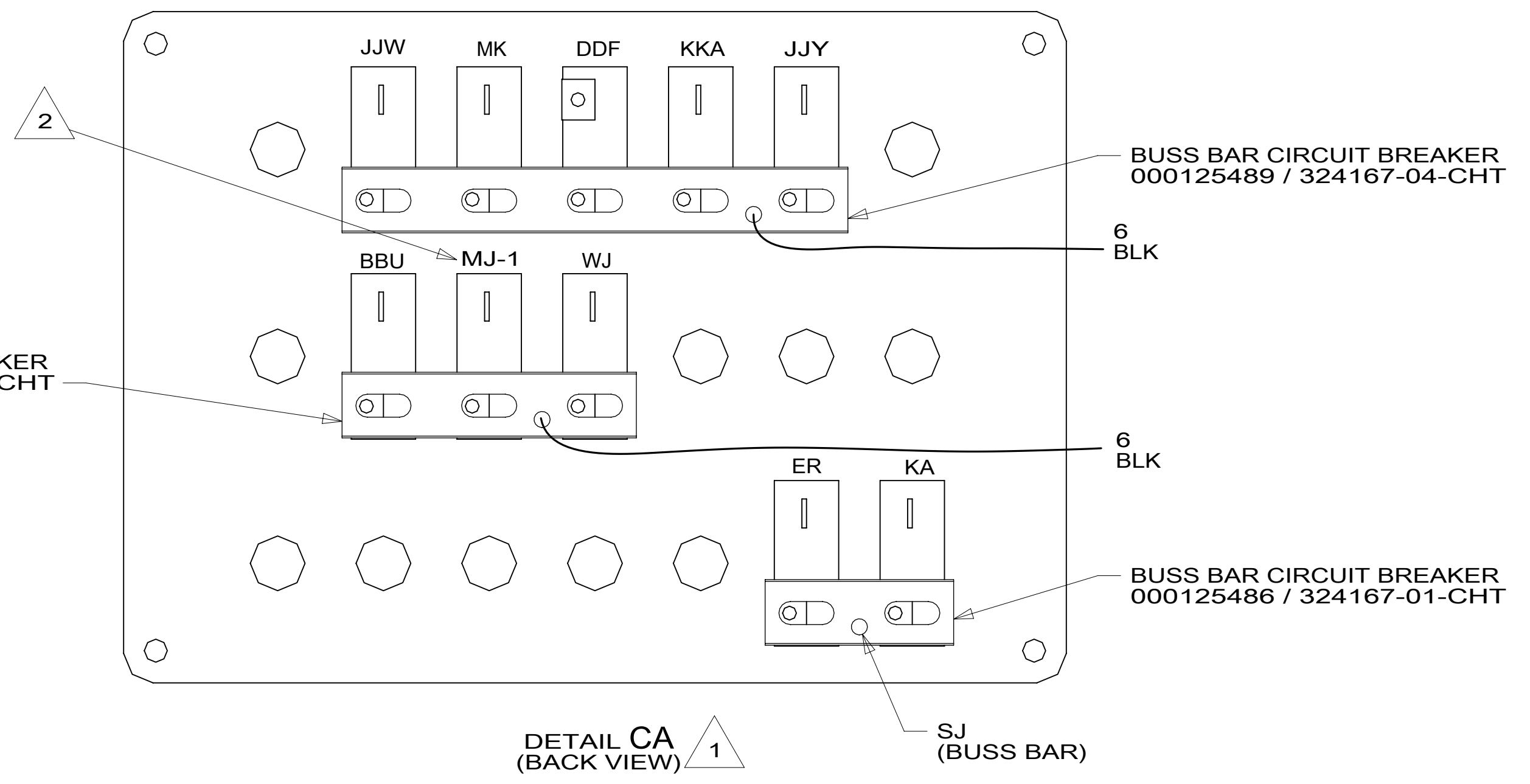
VIEW CB
(WITH COVER REMOVED) 3

BRACKET
136120-02-CHT
SCREW
G11-08-08U (2)

RELAY
63912-02-000 (16)
SCREW
G11-08-08U (16)

- NOTES:
- 3 SEAL ALL SCREWS ON EXTERIOR SIDE OF COMPARTMENT. REFER TO SEALANT MANUAL.
 - 2 FROM WIRE ASM-WIPER.
 - 1 CIRCUITS LABELED ON BREAKER ARE FROM WIRE ASM-IP, MAIN, UNLESS OTHERWISE SPECIFIED.

BUSS BAR CIRCUIT BREAKER
000125487 / 324167-02-CHT



DETAIL CA
(BACK VIEW) 1

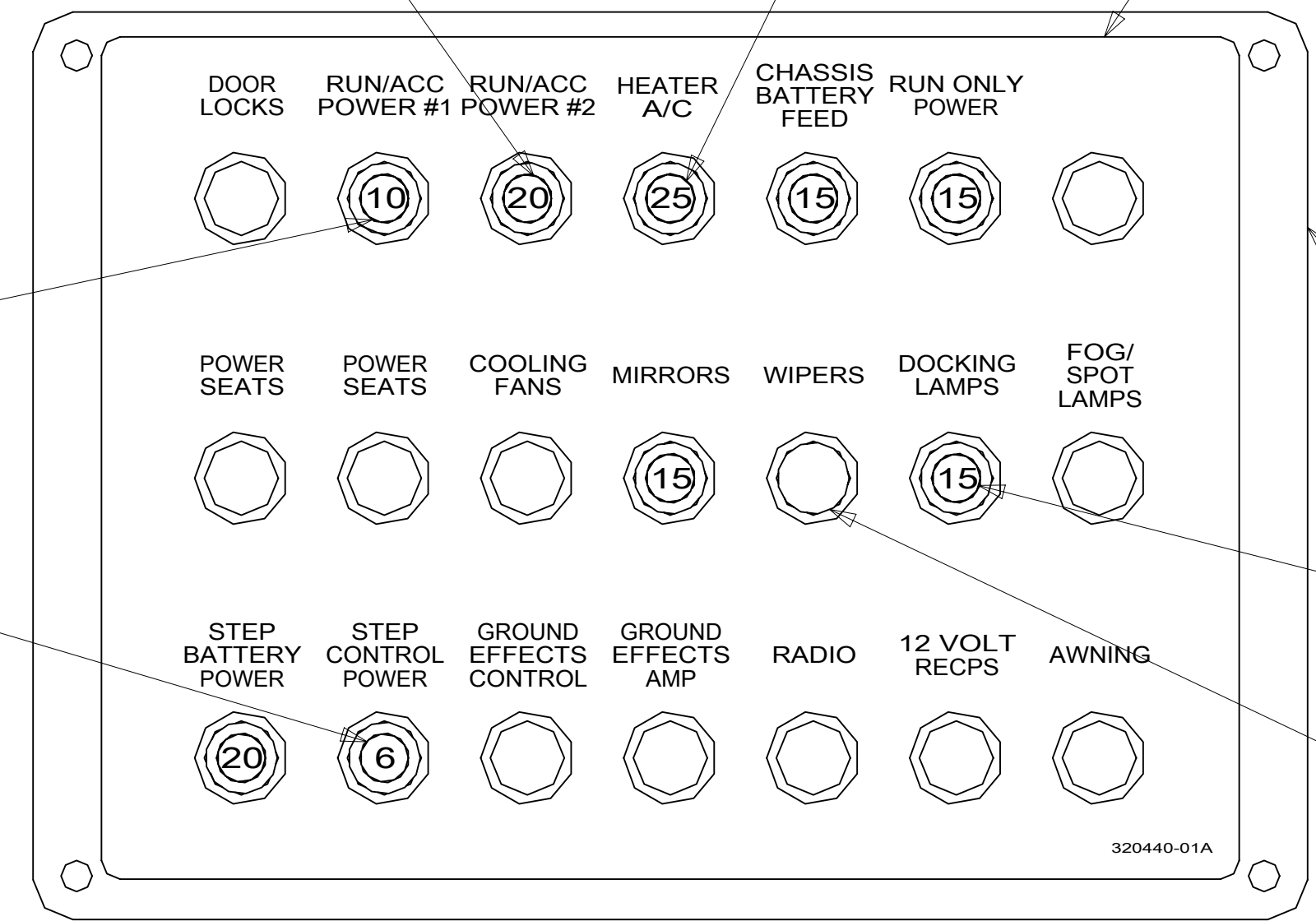
CIRCUIT BREAKER-20 AMP
93654-03-000 (2)
SCREW
G52-06-04U (2)

CIRCUIT BREAKER-25 AMP
93655-01-000
SCREW
G52-06-04U (2)

LABEL-CIRCUIT BREAKER
000043561 / 320440-01-CHT

CIRCUIT BREAKER-10 AMP
093654-05-000
SCREW
G52-06-04U

CIRCUIT BREAKER-6 AMP
93654-01-000
SCREW
G52-06-04U



DETAIL CA
(FRONT VIEW)

PLATE-CIRCUIT BREAKER
139067-07-CHT
SCREW
G11-08-08U (4)

CIRCUIT BREAKER-15 AMP
93654-02-000 (4)
SCREW
G52-06-04U (4)

BREAKER-SELF
RESET,20 AMP
182283-01-000
SCREW
G52-06-04U

265 CODES/STANDARDS-CSA/CMVSS

1B1 CODES/STANDARDS USA

1B1 265

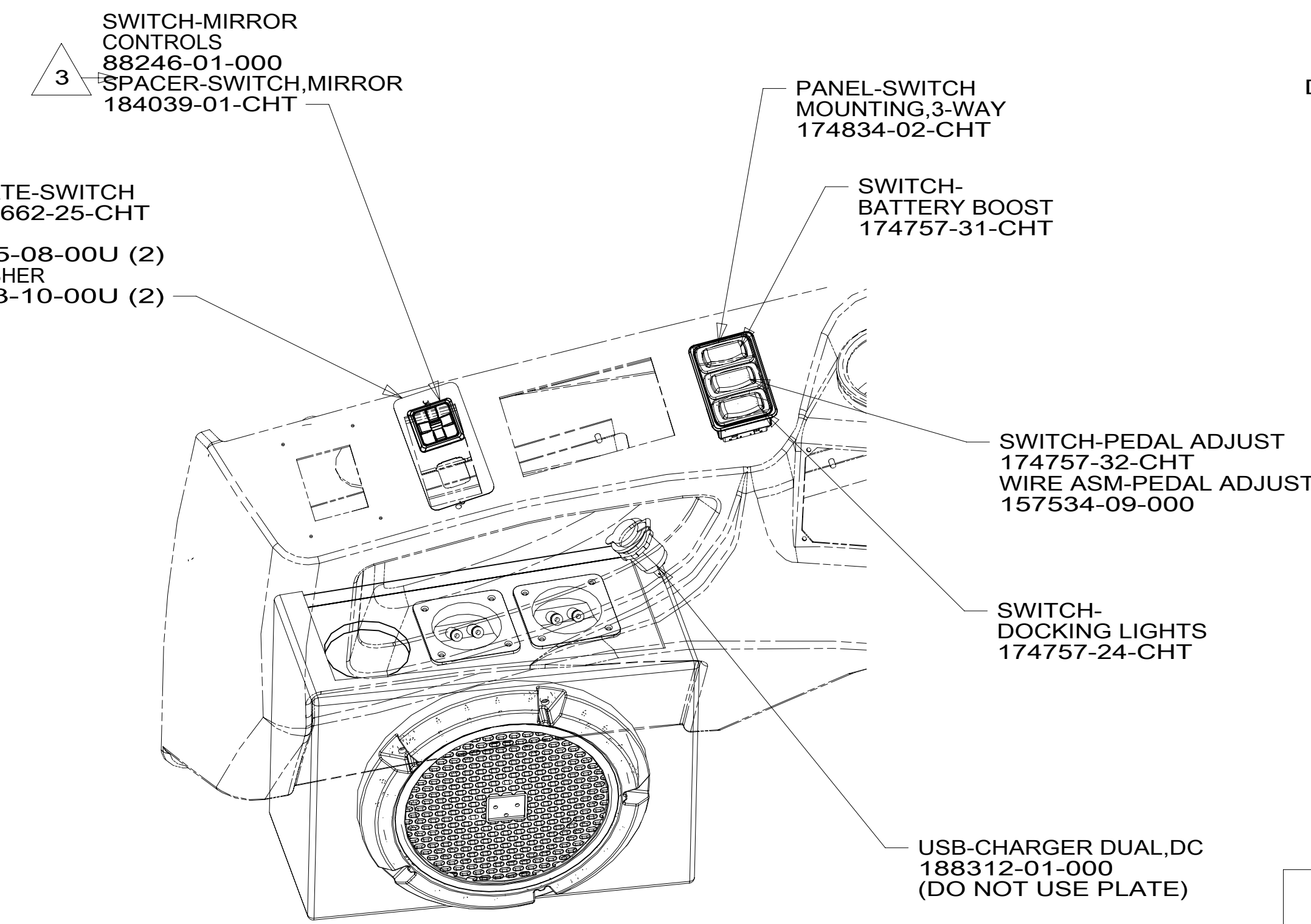
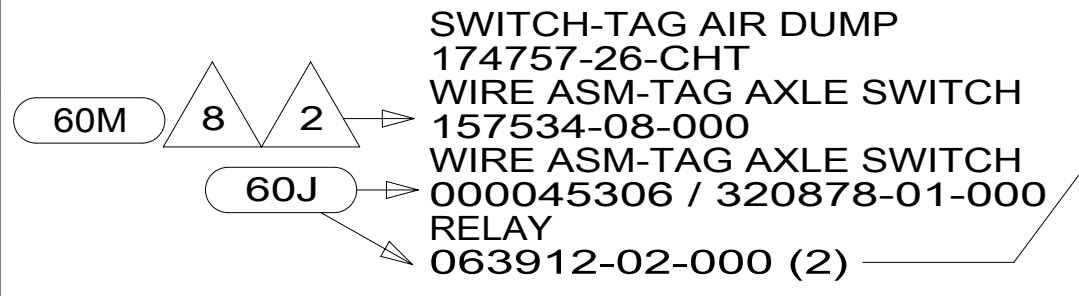
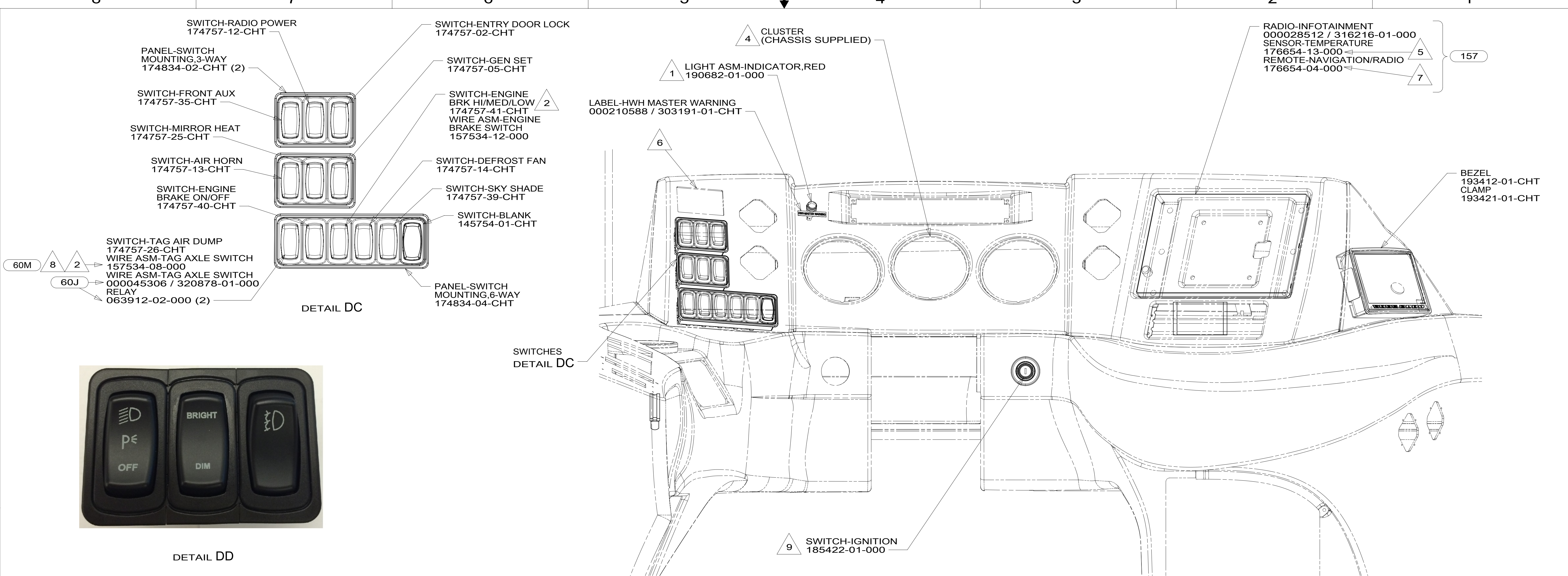
FOR ELECTRICAL
TORQUE
SPECIFICATIONS
SEE DWG NO.
128783-01-000

FOR ELECTRICAL
CALLOUTS
SEE DWG NO.
121339-01-000

DESCRIPTION:
WIRING INSTL-FRONT END

SHEET: 3 OF 9 ITEM/PART NO: 000028510 / 31747901000 REV

02-Apr-2018



DETAIL DB

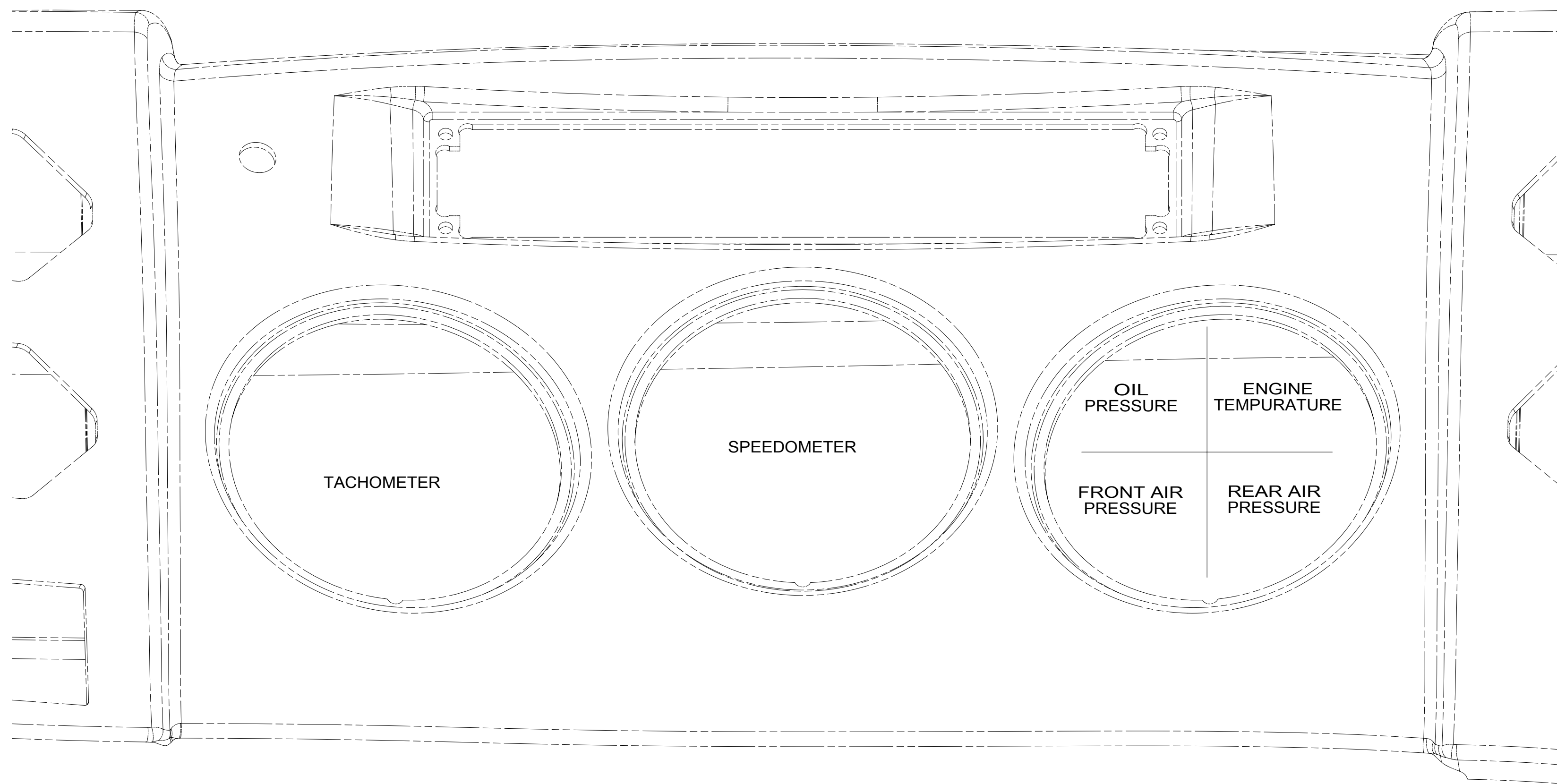
- NOTES:
- 9 REPLACE CHASSIS SUPPLIED IGNITION SWITCH.
 - 8 NOT USED WITH 60J
 - 7 TO BE SUPPLIED LOOSE IN WINNEBAGO OWNERS CASE.
 - 6 CHASSIS SUPPLIED ROCKER SWITCHES.
DOME LAMP SWITCH NOT USED. SEE DETAIL DD FOR SWITCH POSITION.
 - 5 ROUTE TEMP SENSOR THRU HOLE IN BULKHEAD TO BRACKET (SEE SHT 7).
 - 4 SEE DETAIL EA FOR GAUGE PLACEMENT.
 - 3 MOUNT SWITCH SO WHEN ACTUATOR IS PUSHED LEFT, THE LETTER L IS SHOWING.
 - 2 CONNECT TO MATING LABELED CONNECTOR ON CHASSIS SUPPLIED WIRING.
 - 1 CONNECT POSITIVE WIRE TO TERMINAL MARKED WITH A "RED", YEL-WINNEBAGO WIRING

- 60J AIR LEVELING - SUSPENSION
- 60M HYDRAULIC LEVEL JACKS-AUTO
- 157 INFOTAIN CTR/GPS SIRIUSXM
- 265 CODES/STANDARDS-CSA/CMVSS
- 1B1 CODES/STANDARDS USA

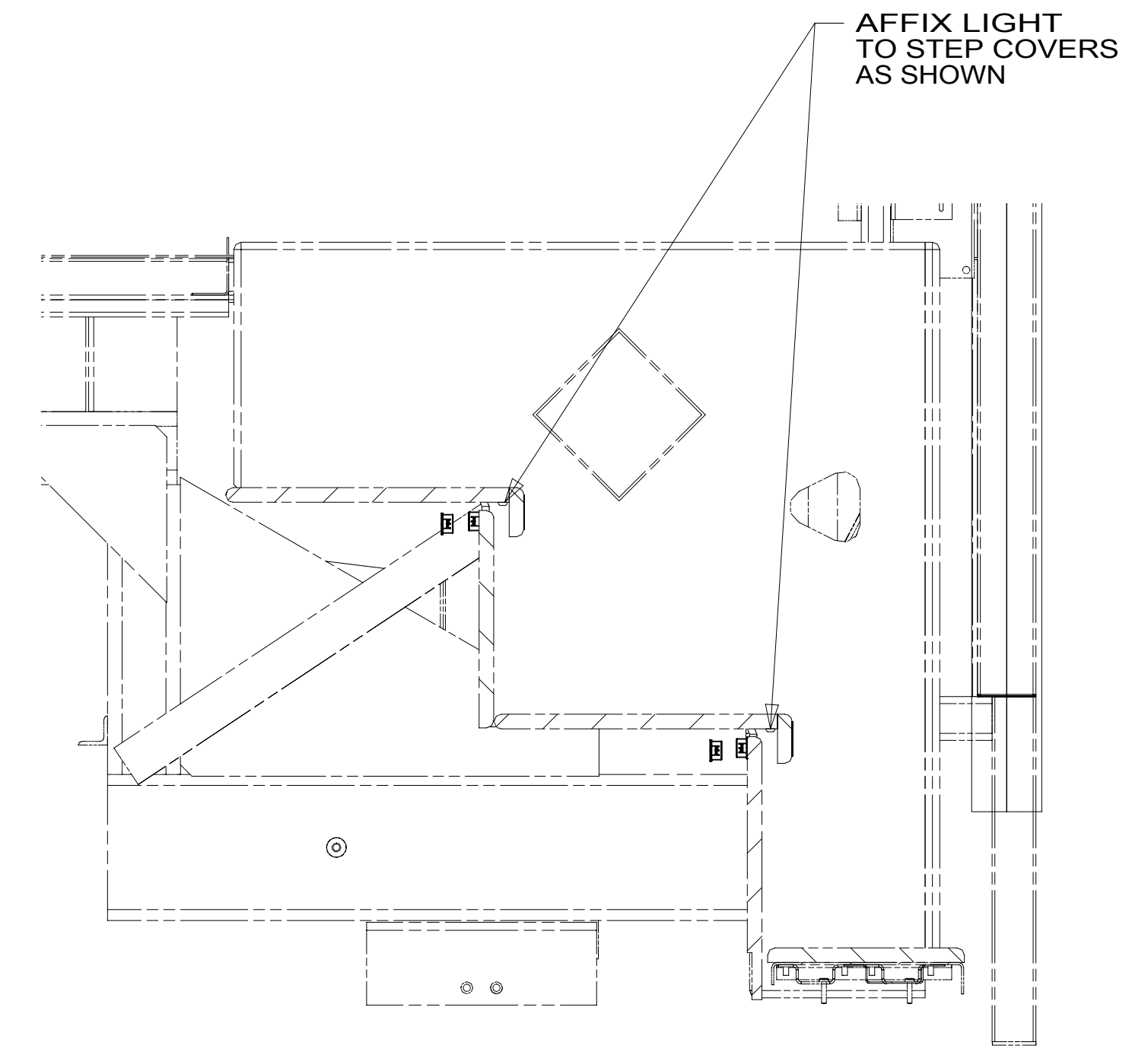
FOR ELECTRICAL TORQUE SPECIFICATIONS SEE DWG NO. 128783-01-000

FOR ELECTRICAL CALLOUTS SEE DWG NO. 121339-01-000

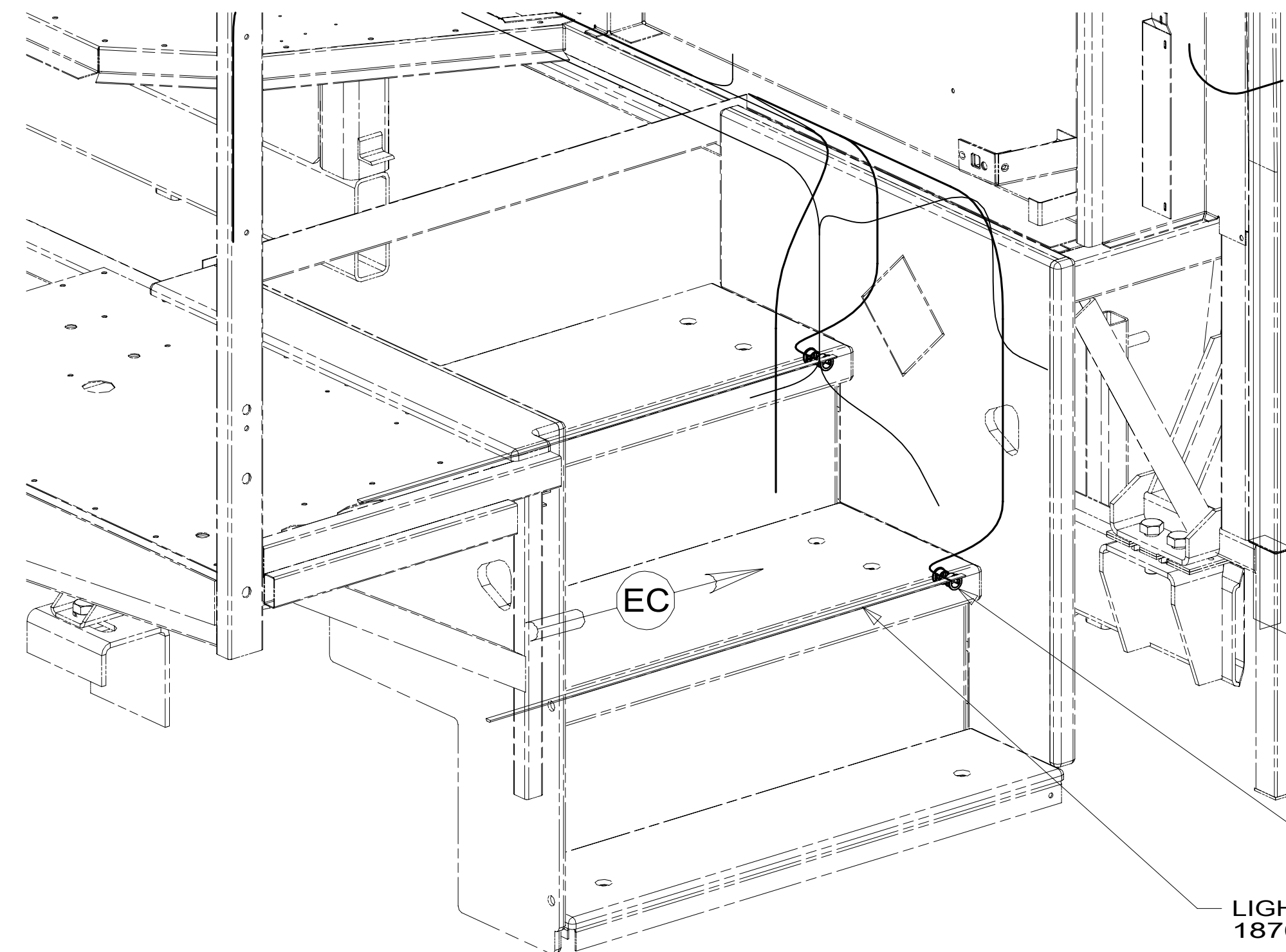
DESCRIPTION:		1B1 265
WIRING INSTL-FRONT END		
SHEET:	ITEM/PART NO:	REV:
4 OF 9	000028510 / 31747901000	



DETAIL EA ¹



VIEW EC



GROMMET
114208-02-000 (4)

LIGHT-TAPE,LED
187693-14-CHT (2)

¹ ALL STANDARD GAUGES, RETAINER CLIPS AND FASTENERS ARE CHASSIS SUPPLIED.

NOTES:

FOR ELECTRICAL TORQUE SPECIFICATIONS SEE DWG NO. 128783-01-000

FOR ELECTRICAL CALLOUTS SEE DWG NO. 121339-01-000

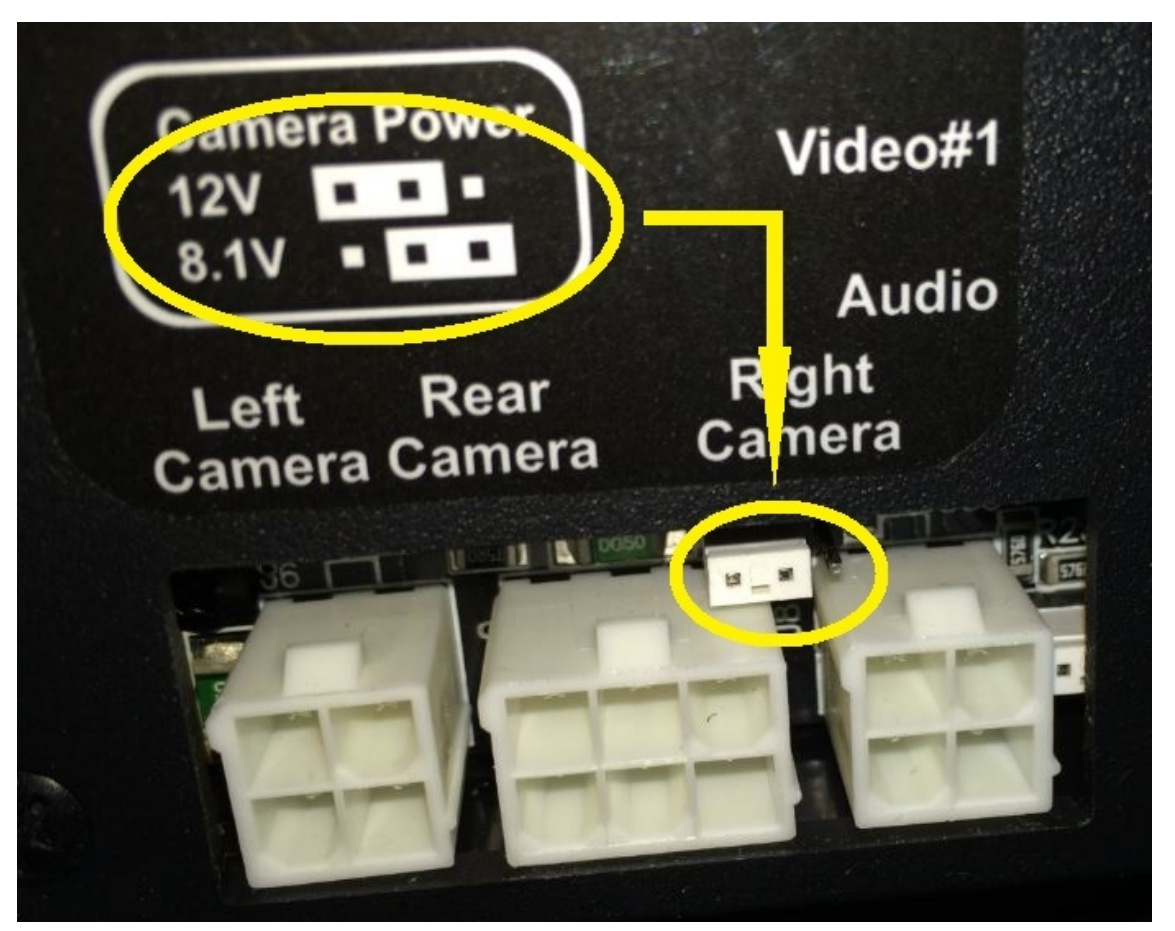
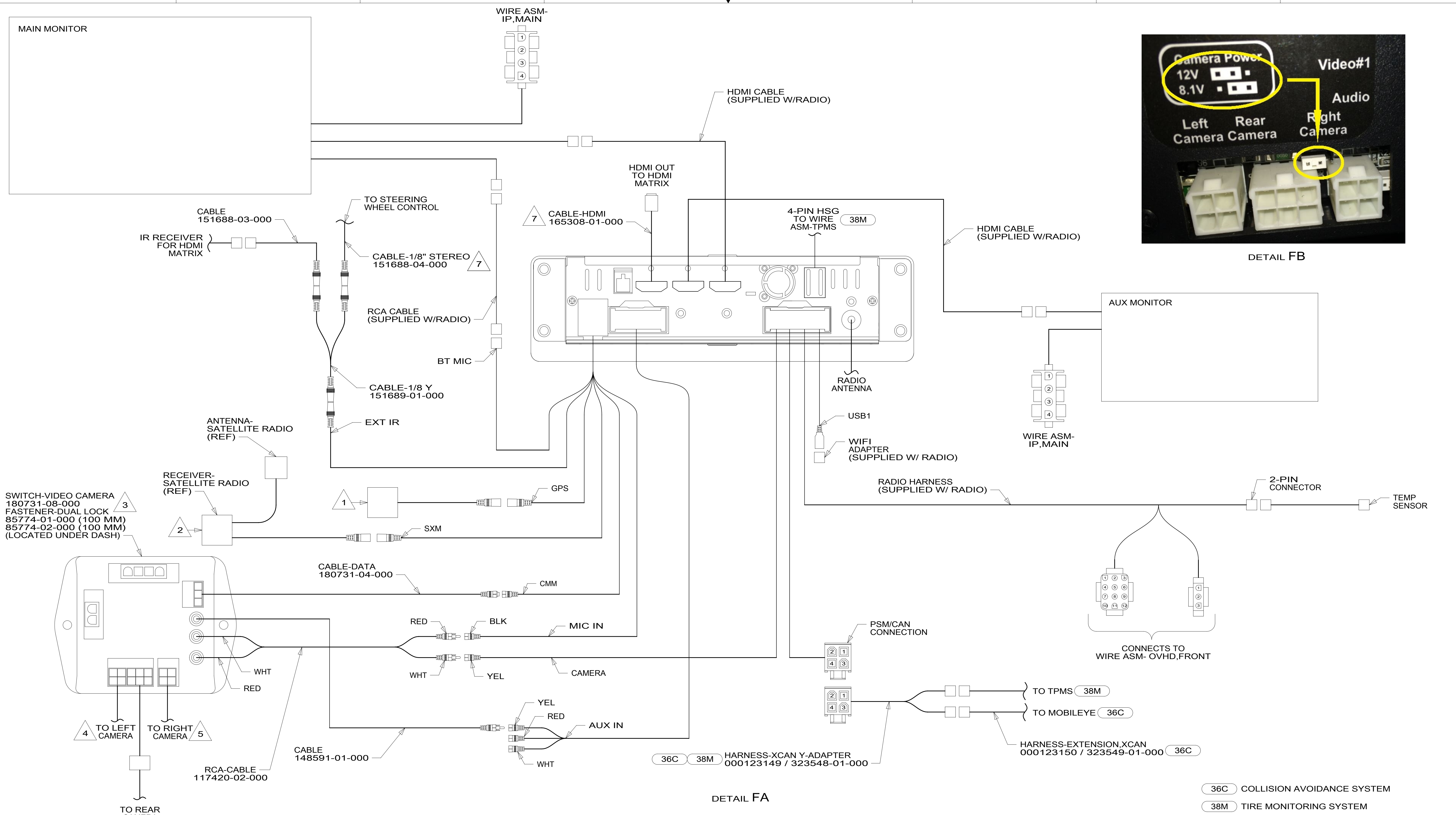
265 CODES/STANDARDS-CSA/CMVSS

1B1 CODES/STANDARDS USA

1B1 265

DESCRIPTION:
WIRING INSTL-FRONT END

SHEET: 5 OF 9 ITEM/PART NO: 000028510 / 31747901000 REV



DETAIL FB

DETAIL FA

- NOTES:
- 3 ENSURE CAMERA POWER JUMPER IS IN 12 VOLT POSITION. MOVE TO 12 VOLT POSITION IF NECESSARY. SEE DEAL FB.
 - 2 WIRE TIE RECEIVER-SATELLITE RADIO AND SWITCH-VIDEO CAMERA TO DASH RADIO WIRING BEHIND THE RADIO.
 - 1 MOUNT ON TOP OF CABINET ABOVE RADIO.

- 7 ROUTE DOWN LEFT A-POST.
- 6. APPLY TAPE 8363-01-000 AS NECESSARY TO SECURE NON-LOCKING CONNECTIONS.
- 5 MARK RIGHT CABLE WITH WHITE TAPE 900000-08-000 NEXT TO CONNECTOR.
- 4 MARK LEFT CABLE WITH YELLOW TAPE 900000-07-000 NEXT TO CONNECTOR.

FOR ELECTRICAL TORQUE SPECIFICATIONS SEE DWG NO. 128783-01-000

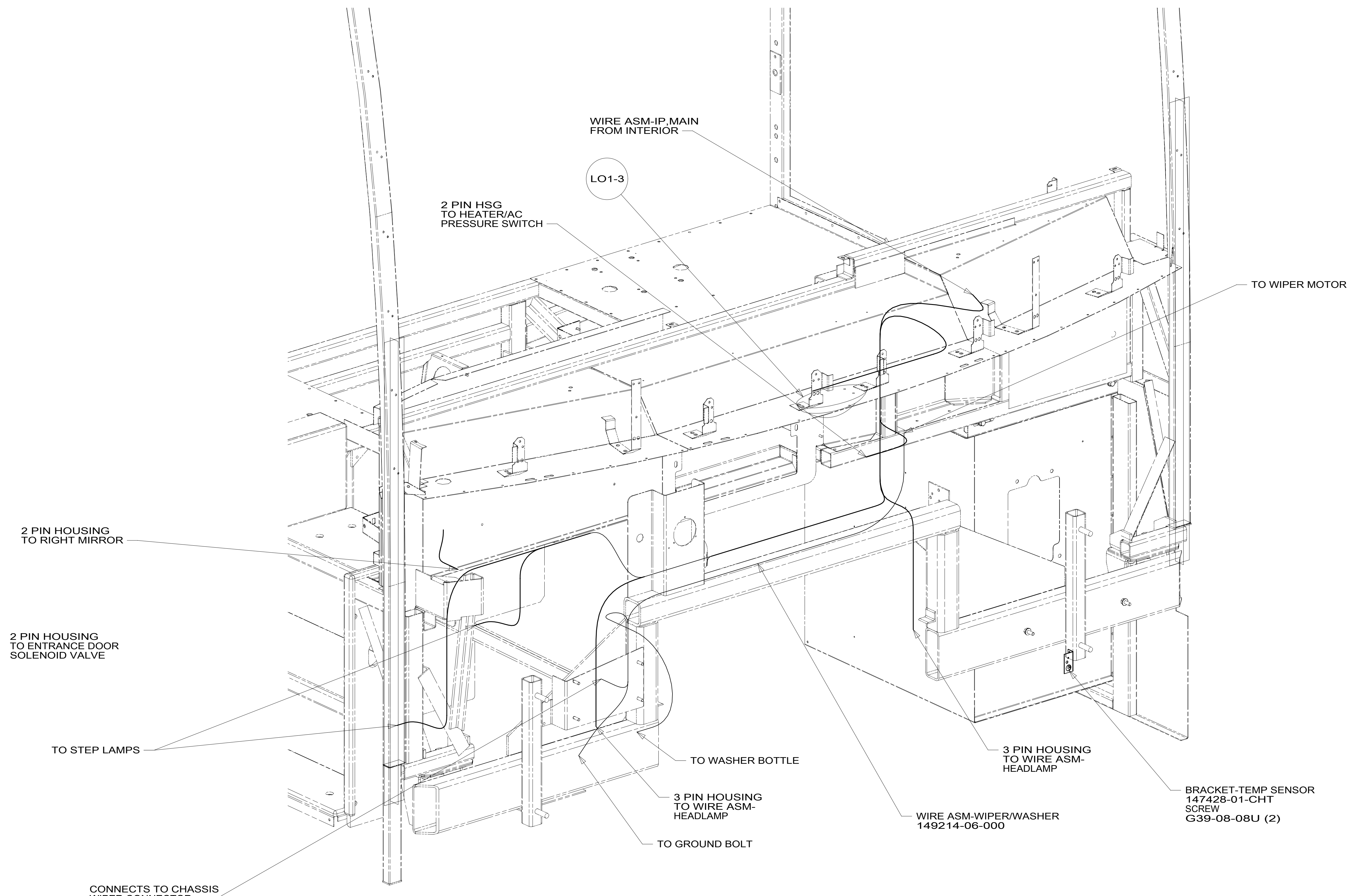
FOR ELECTRICAL CALLOUTS SEE DWG NO. 121339-01-000

- 36C COLLISION AVOIDANCE SYSTEM
- 38M TIRE MONITORING SYSTEM
- 74L VIDEO CAMERA SYS W/COLOR MON
- 265 CODES/STANDARDS-CSA/CMVSS
- 1B1 CODES/STANDARDS USA

DESCRIPTION: WIRING INSTL-FRONT END		
SHEET: 6 OF 9	ITEM/PART NO: 000028510 / 31747901000	REV
1 02-Apr-2018		

8 7 6 5 4 3 2 1

D
C
B
A



VIEW GA

265 CODES/STANDARDS-CSA/CMVSS
 1B1 CODES/STANDARDS USA

FOR ELECTRICAL TORQUE SPECIFICATIONS SEE DWG NO. 128783-01-000

X-X FOR ELECTRICAL CALLOUTS SEE DWG NO. 121339-01-000

DESCRIPTION: WIRING INSTL-FRONT END		
SHEET: 7 OF 9	ITEM/PART NO: 000028510 / 31747901000	REV

8 7 6 5 4 3 2 1 02-Apr-2018

8 7 6 5 4 3 2 1

D
C
B
A

D
C
B
A

3
ANTENNA-RADIO
90944-02-000
CABLE ASM-ANTENNA
90944-03-000
EXTENSION
109889-01-000

ANTENNA-SATELLITE RADIO
(SUPPLIED WITH SXM RECEIVER)
PLATE-SATELLITE RADIO
177256-03-CHT
SCREW
G11-08-08U (4)
SEAL

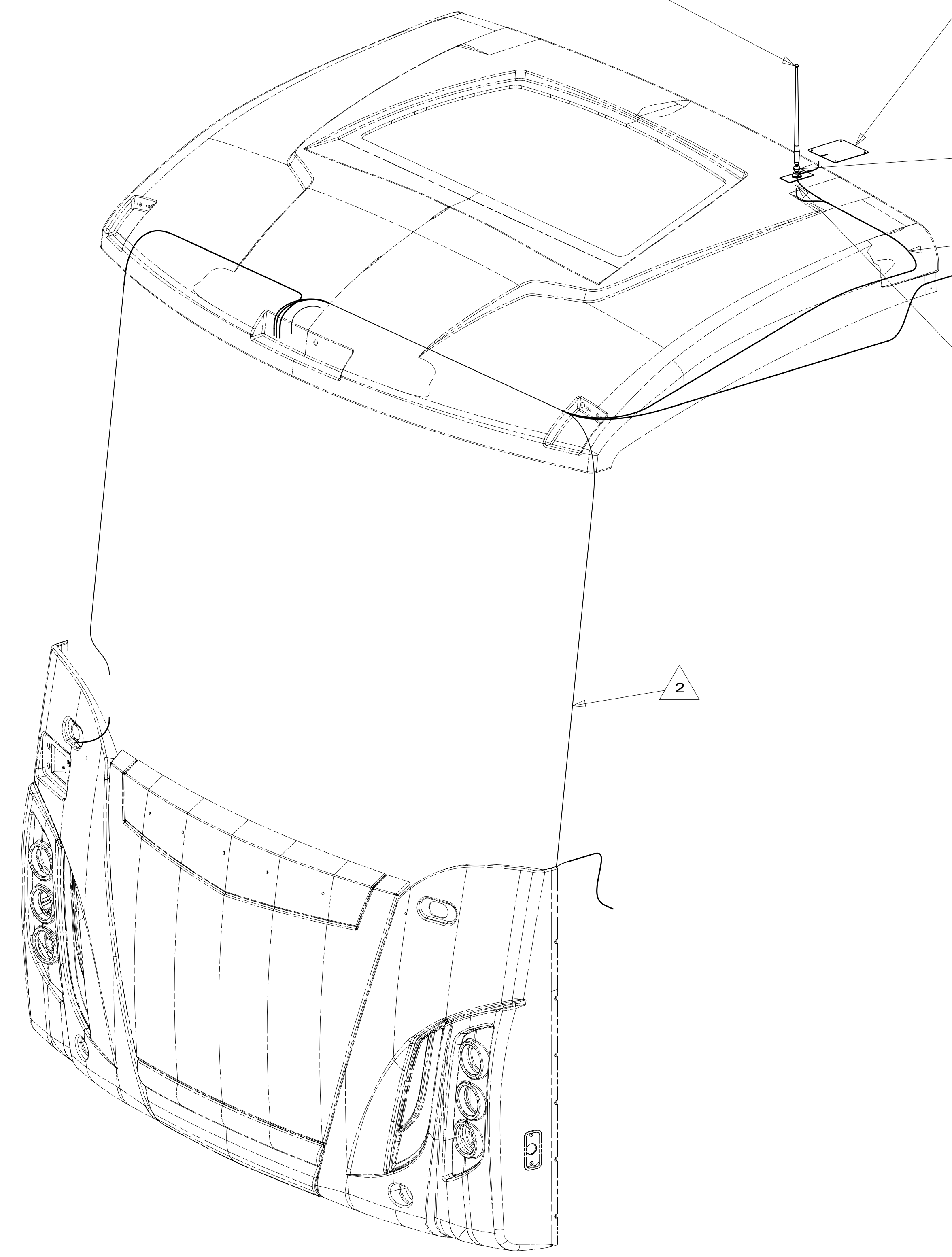
70D 1 4

RADIO ANTENNA
LOCATION WITH
SKYLIGHT

CABLE-SATELLITE RADIO
(SUPPLIED WITH ANTENNA)

RADIO ANTENNA
LOCATION WITHOUT
SKYLIGHT

2



- 4 LOCATED ON ROOF ASM WITH SKYLIGHT OPTION,
LOCATED ON ROOF CAP WITHOUT SKYLIGHT.
- 3 SEAL AROUND ANTENNA BASE.
- 2 ROUTE CABLE ALONG A-POST, UNDER TRIM COVER.
- 1 MOUNT ANTENNA SUCH THAT BASE IS SQUARE W/REAR
OF ROOF CAP & HOLE IS DIRECTLY OVER HOLE IN
FIBERGLASS. SEAL HOLE IN ROOF CAP, BASE AT SCREWS.

NOTES:

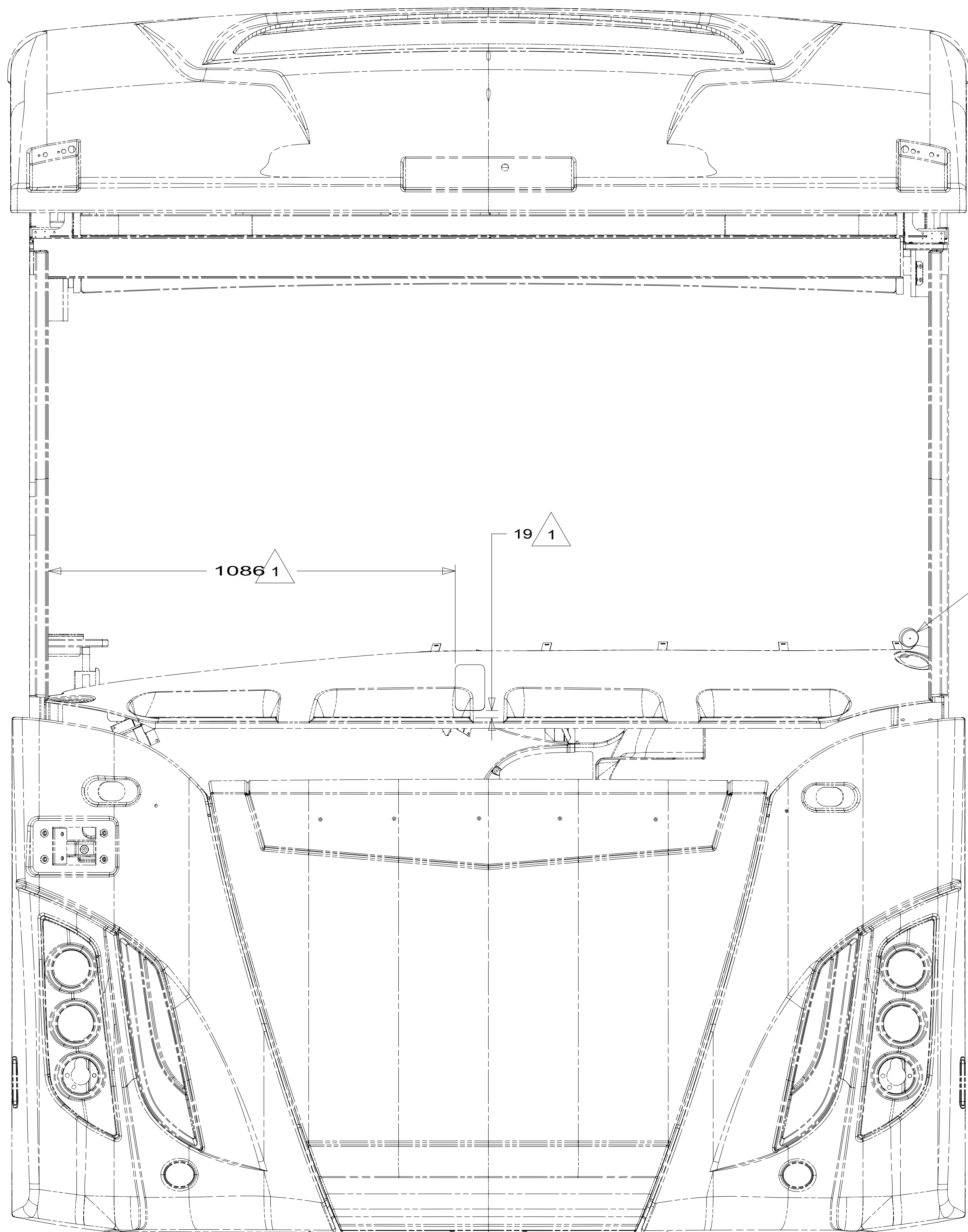
- 70D RADIO - SATELLITE SIRIUSXM
- 265 CODES/STANDARDS-CSA/CMVSS
- 1B1 CODES/STANDARDS USA

FOR ELECTRICAL
TORQUE
SPECIFICATIONS
SEE DWG NO.
128783-01-000

FOR ELECTRICAL
CALLOUTS
SEE DWG NO.
121339-01-000

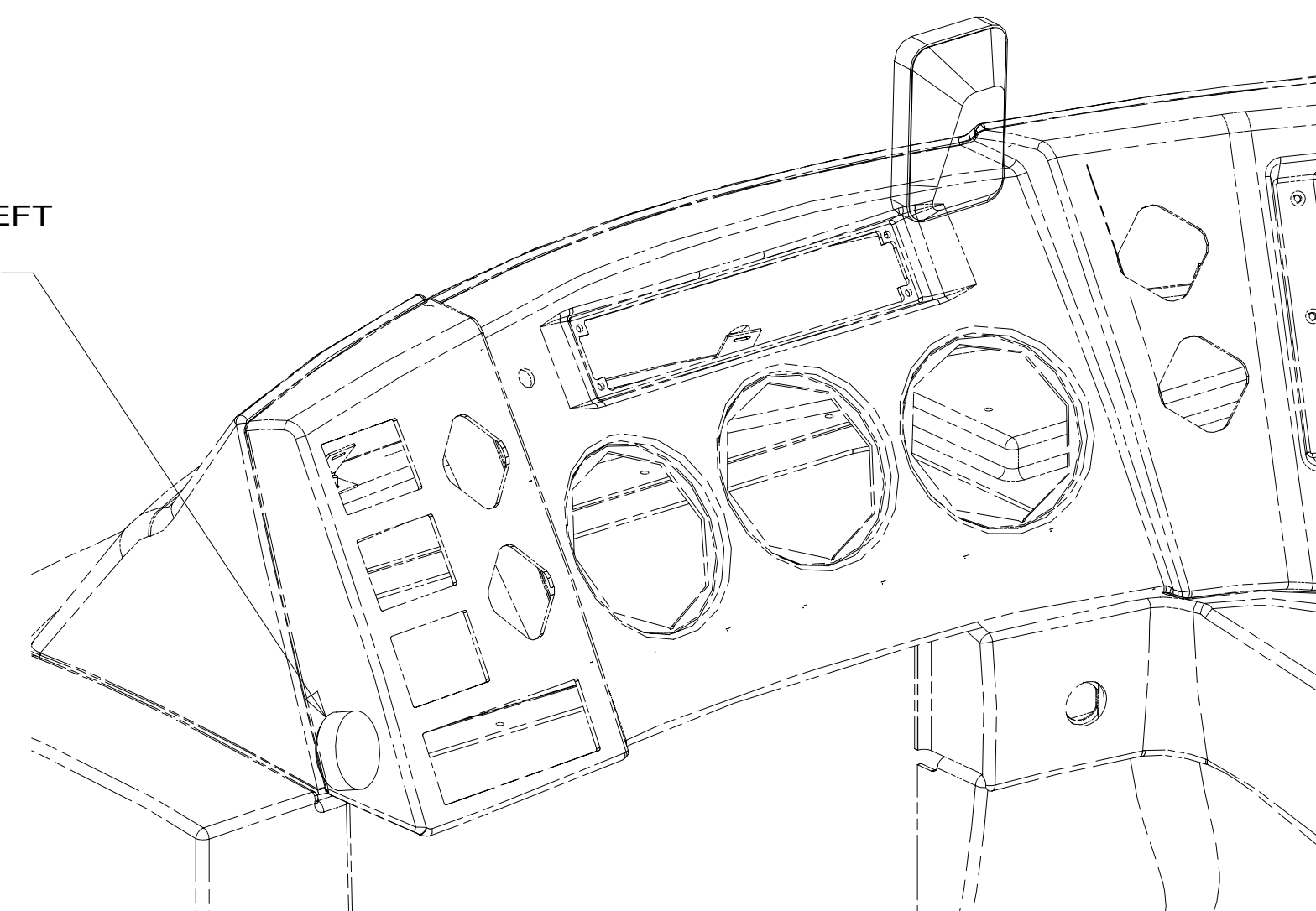
DESCRIPTION: WIRING INSTL-FRONT END	
SHEET: 8 OF 9	ITEM/PART NO: 000028510 / 31747901000
REV	

8 7 6 5 4 3 2 1 02-Apr-2018

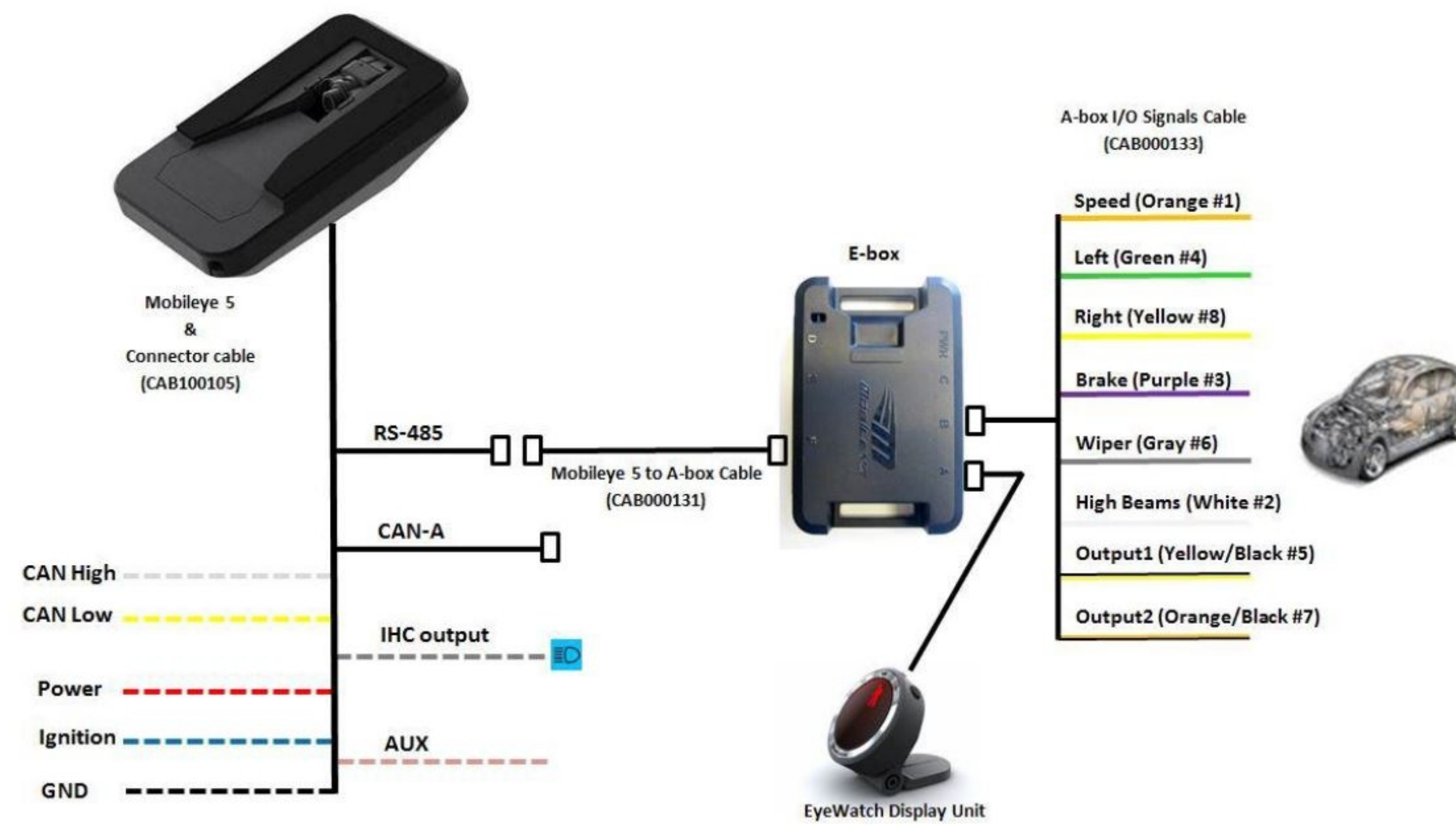


DETAIL JA

MOUNT ON TOP OF DASH POD LEFT OF CLUSTER. ROUTE CABLE IN SEAM UNDER REMOVEABLE TOP.



DETAIL JB



MOBILEYE CONNECTION DIAGRAM

1 ALL DIMENSIONS FROM BLACK LINE IN WINDSHIELD REF DIMENSION: CAMERA TO BE MOUNTED 50 MM RIGHT OF CENTER OF COACH AND 30 MM ABOVE DASH AT WINDSHIELD.

NOTES:

265 CODES/STANDARDS-CSA/CMVSS

1B1 CODES/STANDARDS USA

FOR ELECTRICAL TORQUE SPECIFICATIONS SEE DWG NO. 128783-01-000

X-X FOR ELECTRICAL CALLOUTS SEE DWG NO. 121339-01-000

1B1 265
DESCRIPTION:
WIRING INSTL-FRONT END
SHEET: 9 OF 9 ITEM/PART NO: 000028510 / 31747901000 REV