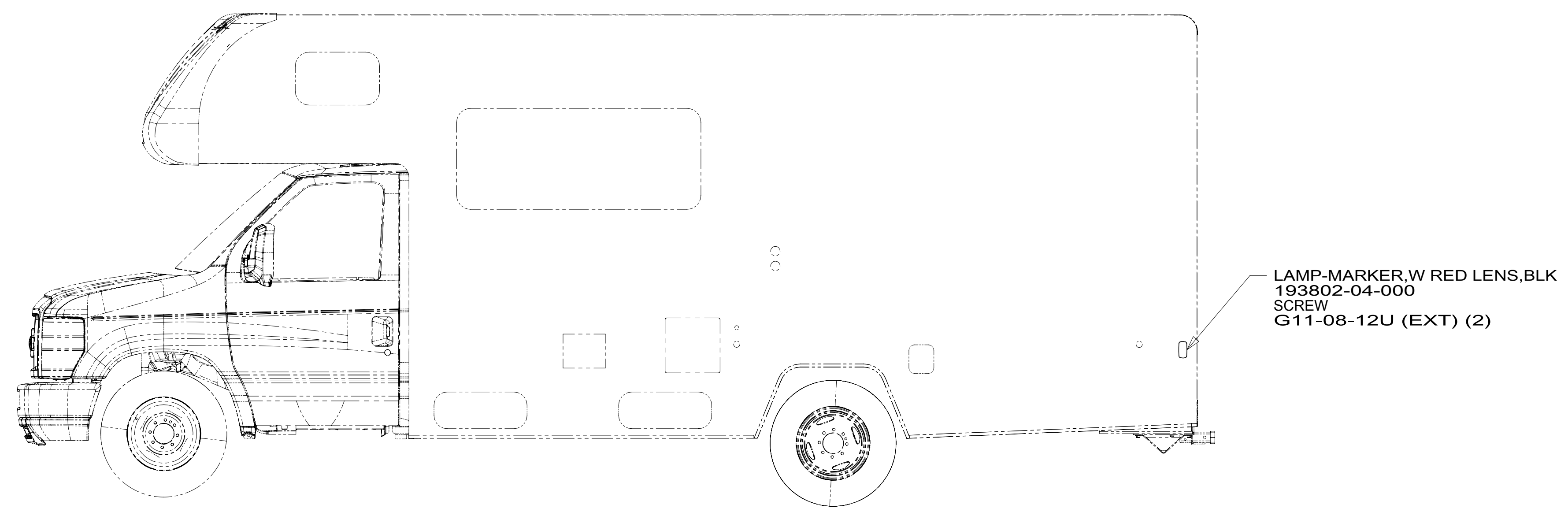
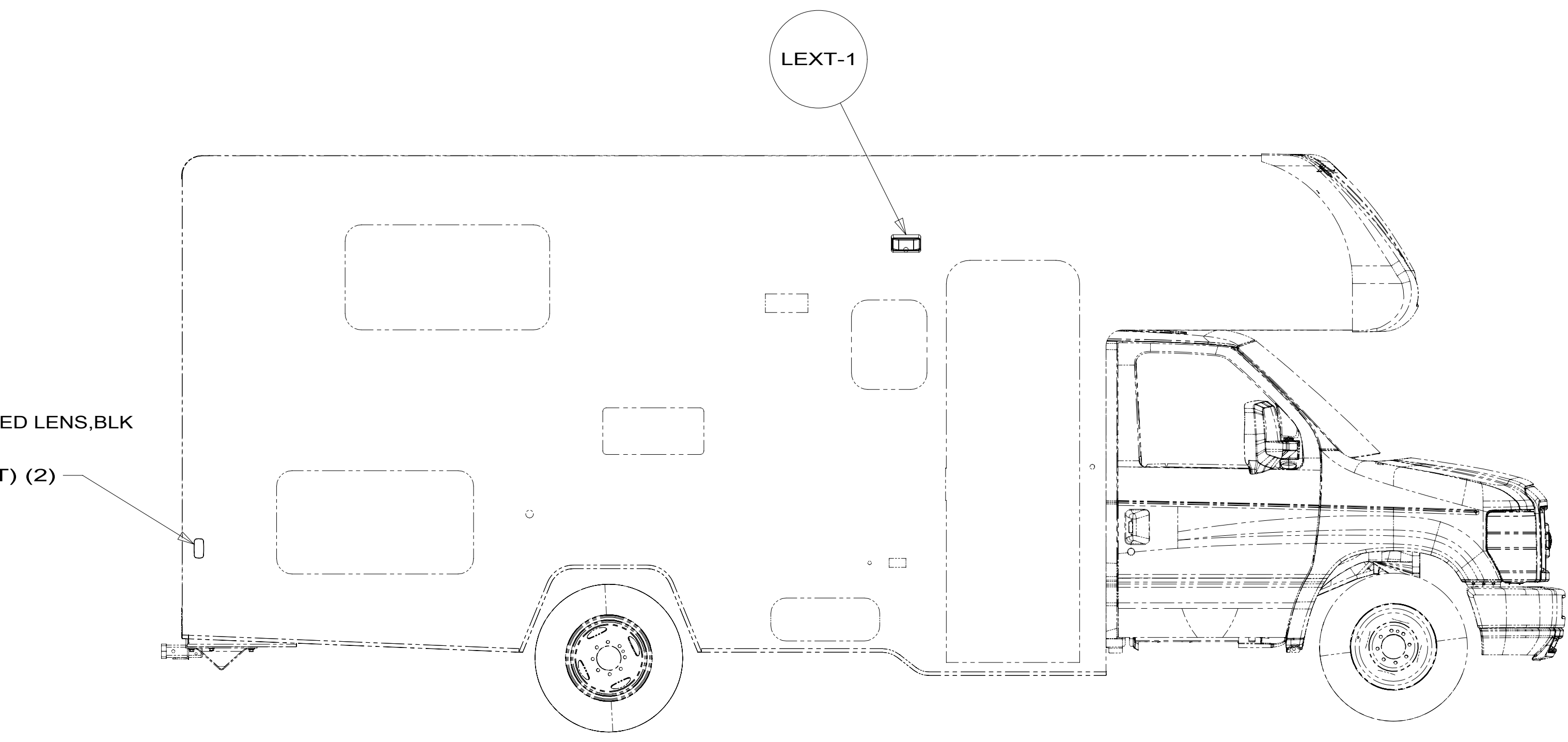
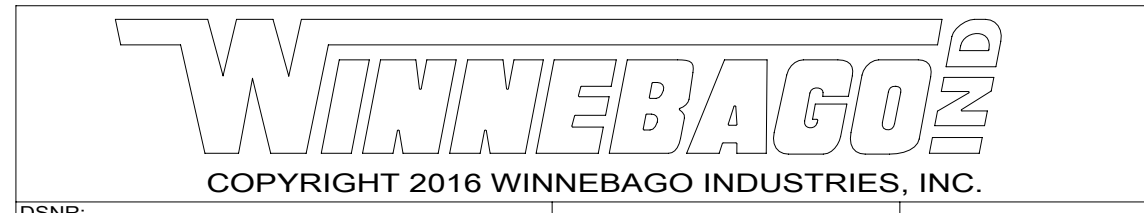


8 7 6 5 4 3 2 1

D
C
B
A



265 CODES/STANDARDS-CSA/CMVSS
1B1 CODES/STANDARDS USA
1B1 265



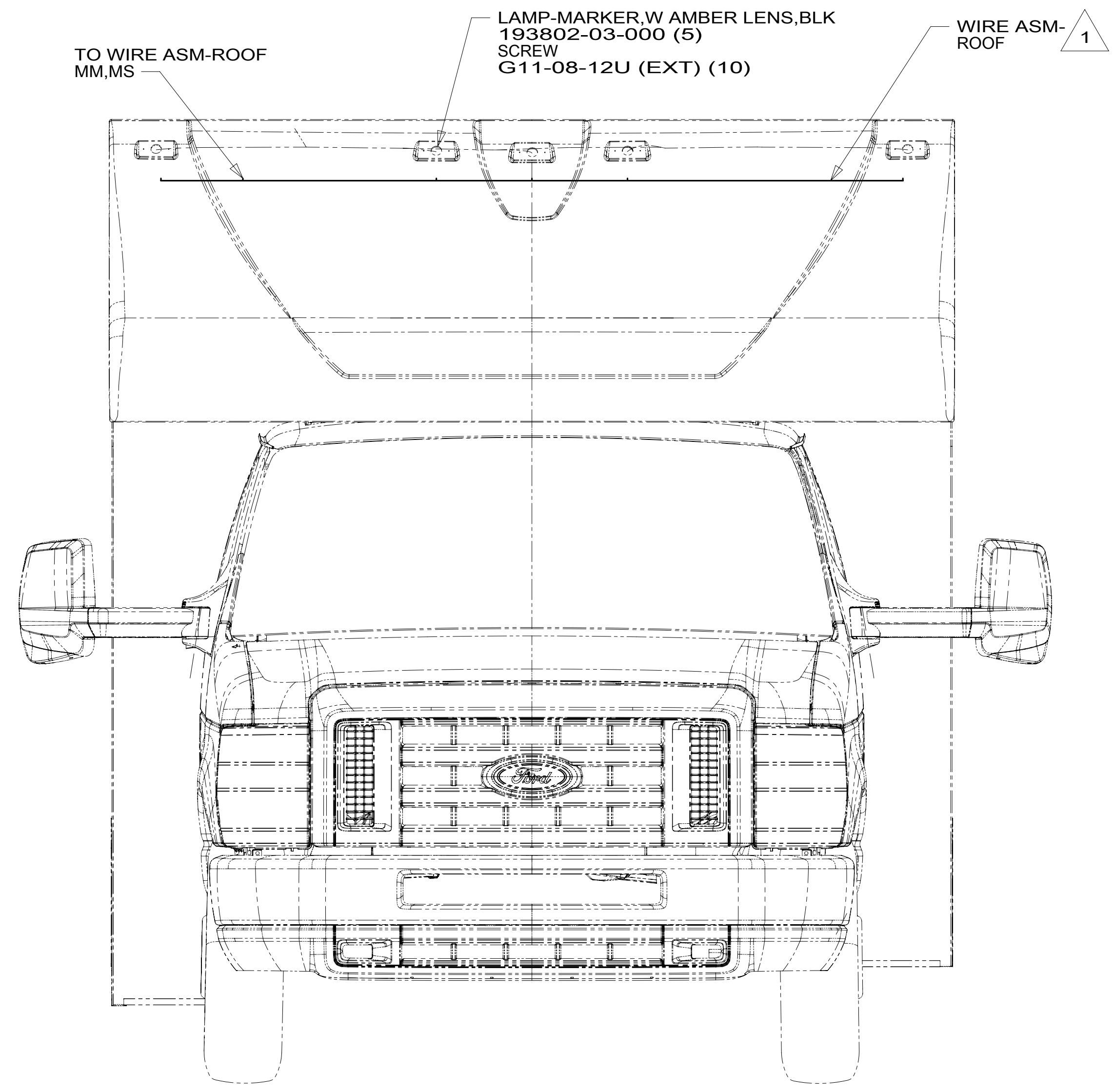
DSNR:	ALL DIMENSIONS ARE IN MILLIMETERS	
DIFFR:	MATERIAL:	
UNSPECIFIED TOLERANCES:		
WHOLE DIM (X) :	3	
ONE-PLACE (X.X) :	1.5	
TWO-PLACE (X.XX) :	0.50	
ANGLE :	1°	
REFER TO ES0018 FOR FASTENER TIGHTENING GUIDELINES	WEIGHT: (LBS)	FIRST USED:
		17 322R

FOR ELECTRICAL TORQUE SPECIFICATIONS SEE DWG NO. 128783-01-000

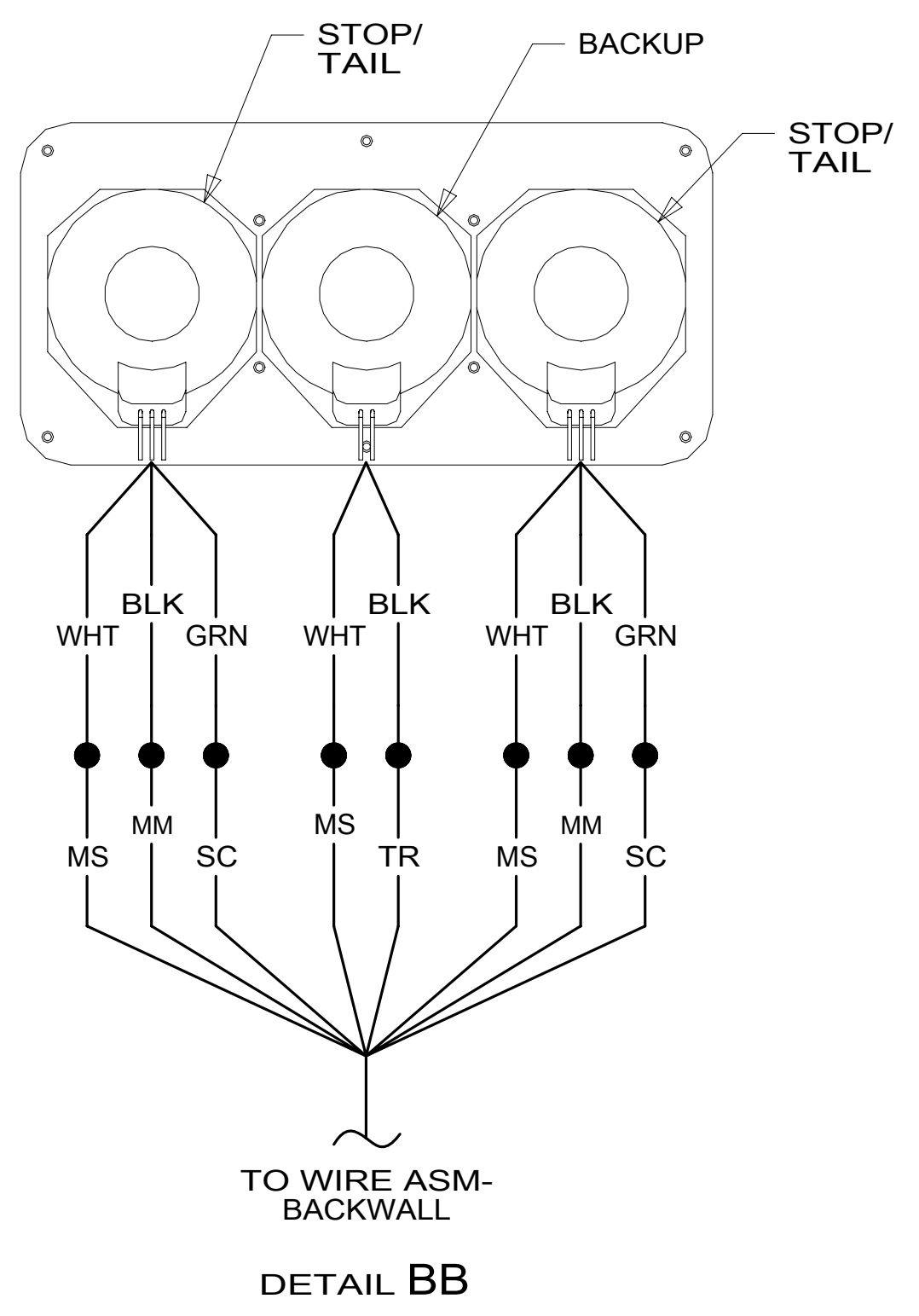
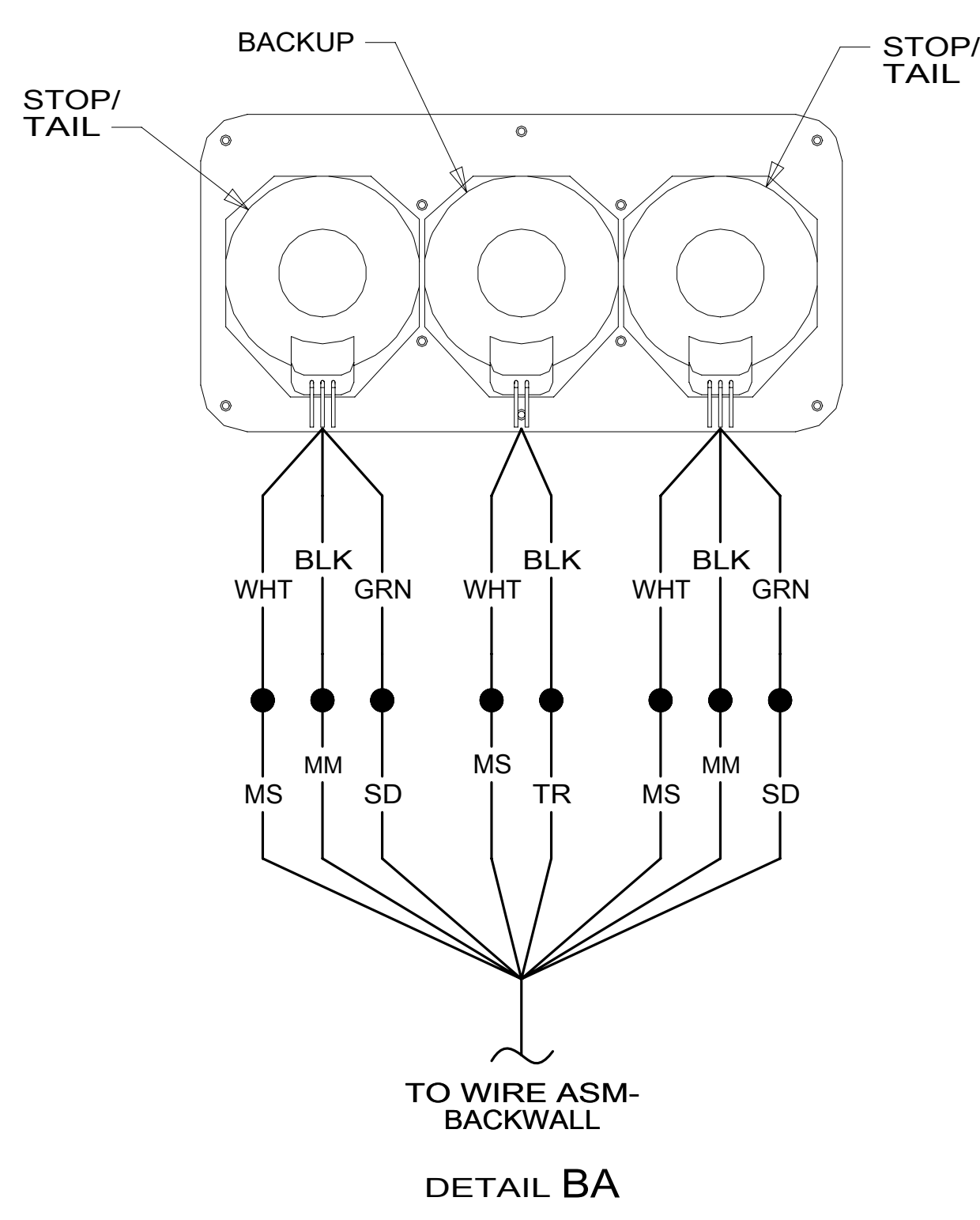
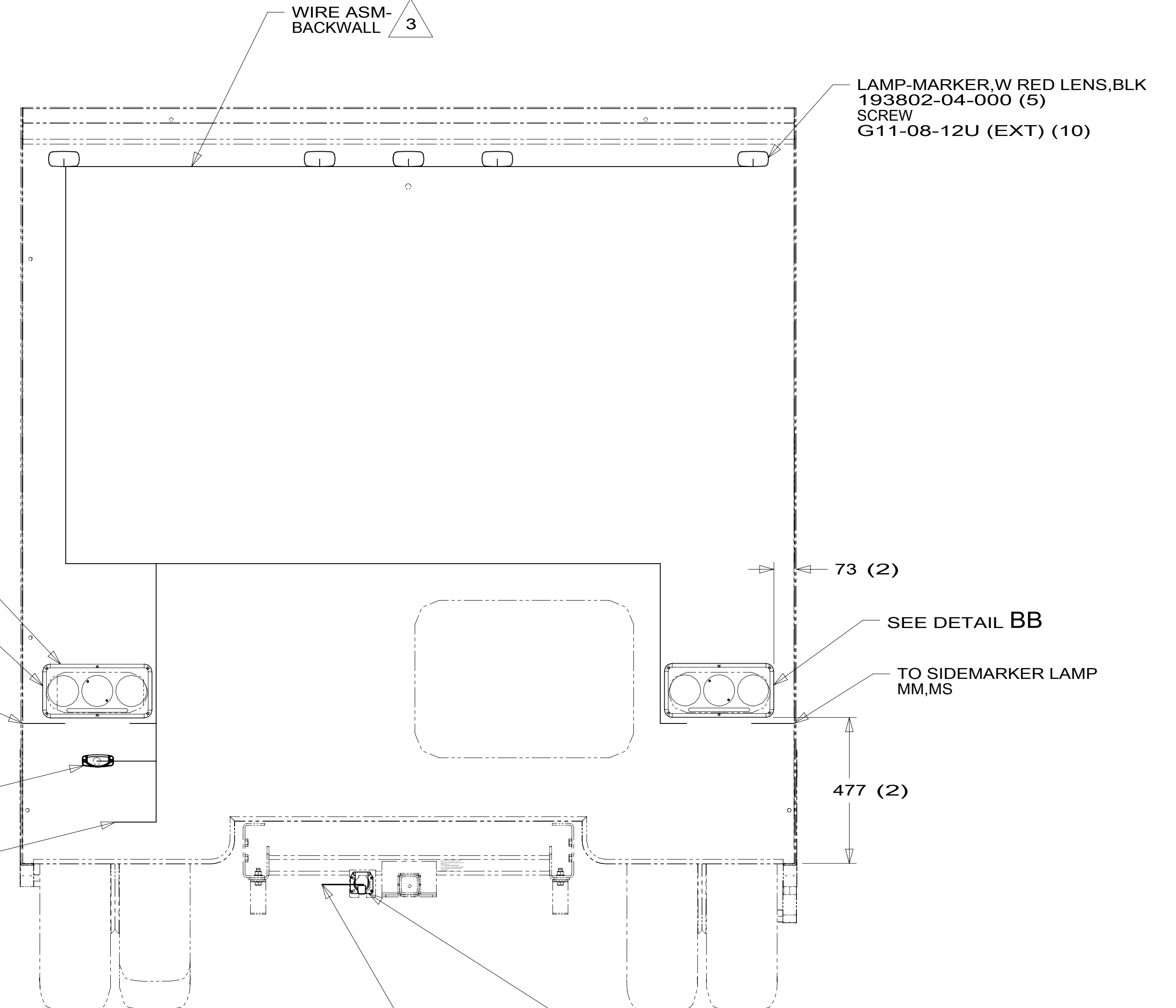
FOR ELECTRICAL CALLOUTS SEE DWG NO. 121339-01-000

DESCRIPTION: WIRING INSTL-EXTERIOR LAMPS		
SHEET: 1 OF 2	ITEM/PART NO: 000026418 / 31563401000	REV
REF:	1 17-Aug-2017	

8 7 6 5 4 3 2 1



4 5 LAMP ASM-STOP/TURN/ TAIL/BACKUP 183787-01-000 (2) SCREW G11-07-12U (12) CONNECTOR 58028-01-000 (8)



- NOTES:
- 5 APPLY SILICONE ACROSS TOP AND DOWN SIDES WITH FEATURE 64 TRIM GASKET AS NECESSARY.
 - 4 TAIL LAMP MUST BE INSTALLED WITH WIRES DOWN.
 - 3 LOCATED IN BACKWALL ASSEMBLY.
 - 2 SECURE WIRE BELOW COACH WITH CLAMP 10495-01-000 AND SCREW G67-10-12B.
 - 1 LOCATED IN ROOF ASSEMBLY FRONT.

- 244 TRAILER HITCH-7500# DRAW BAR
- 644 GREAT ALASKAN RENTAL PACKAGE
- 240 TRAILER HITCH
- 265 CODES/STANDARDS-CSA/CMVSS
- 1B1 CODES/STANDARDS USA

FOR ELECTRICAL TORQUE SPECIFICATIONS SEE DWG NO. 128783-01-000

FOR ELECTRICAL CALLOUTS SEE DWG NO. 121339-01-000

DESCRIPTION:		1B1 265
WIRING INSTL-EXTERIOR LAMPS		
SHEET:	ITEM/PART NO.:	REV
2 OF 2	000026418 / 31563401000	