

NOTES:

2 POSITION IR EMITTER OVER IR RECIEVER ON DVD PLAYER.

1 INTERIOR CONTROL CONNECTS TO SATELLITE DATA CABLE. SEE ROOF ASM FOR ADDITIONAL INFORMATION.

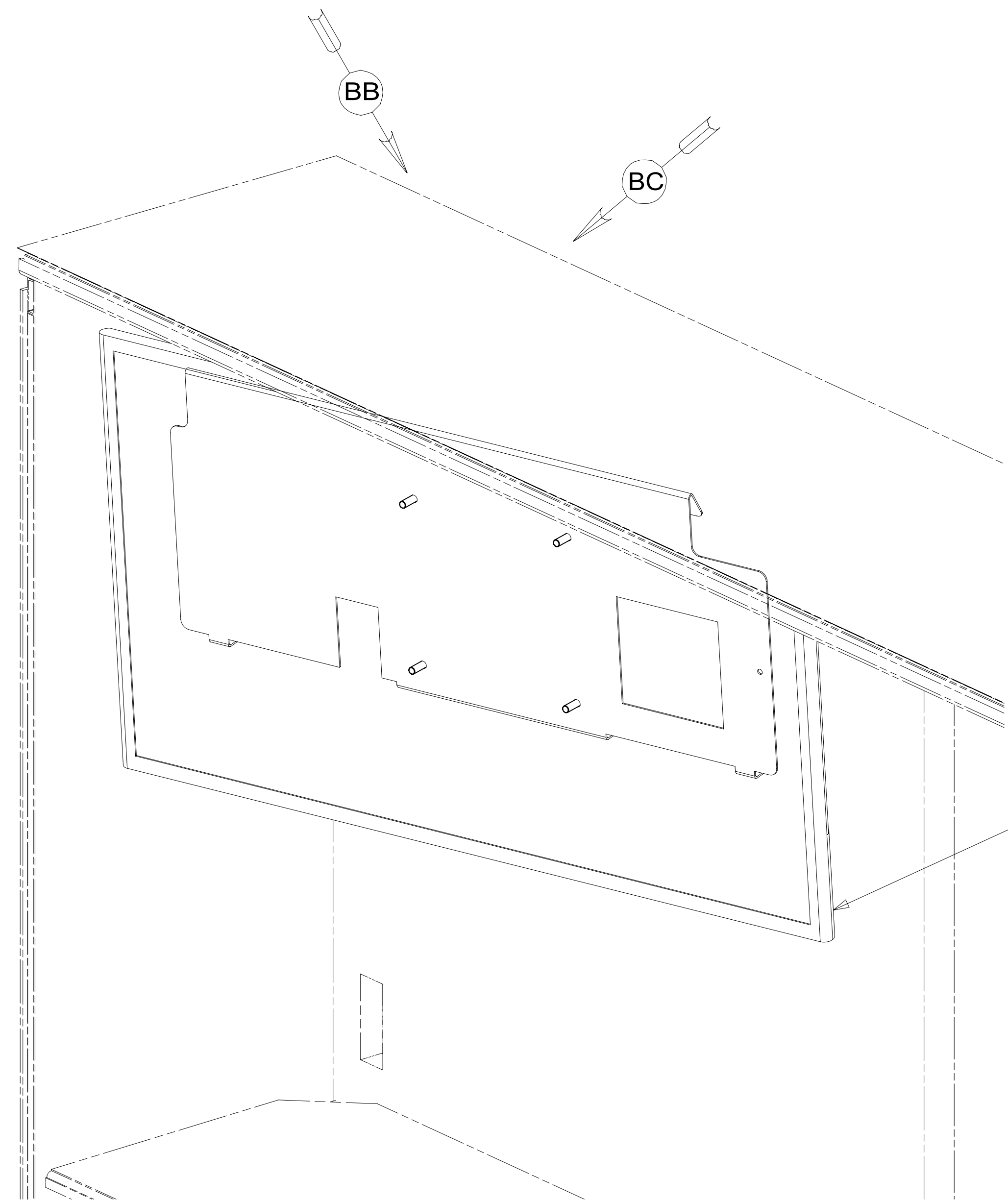
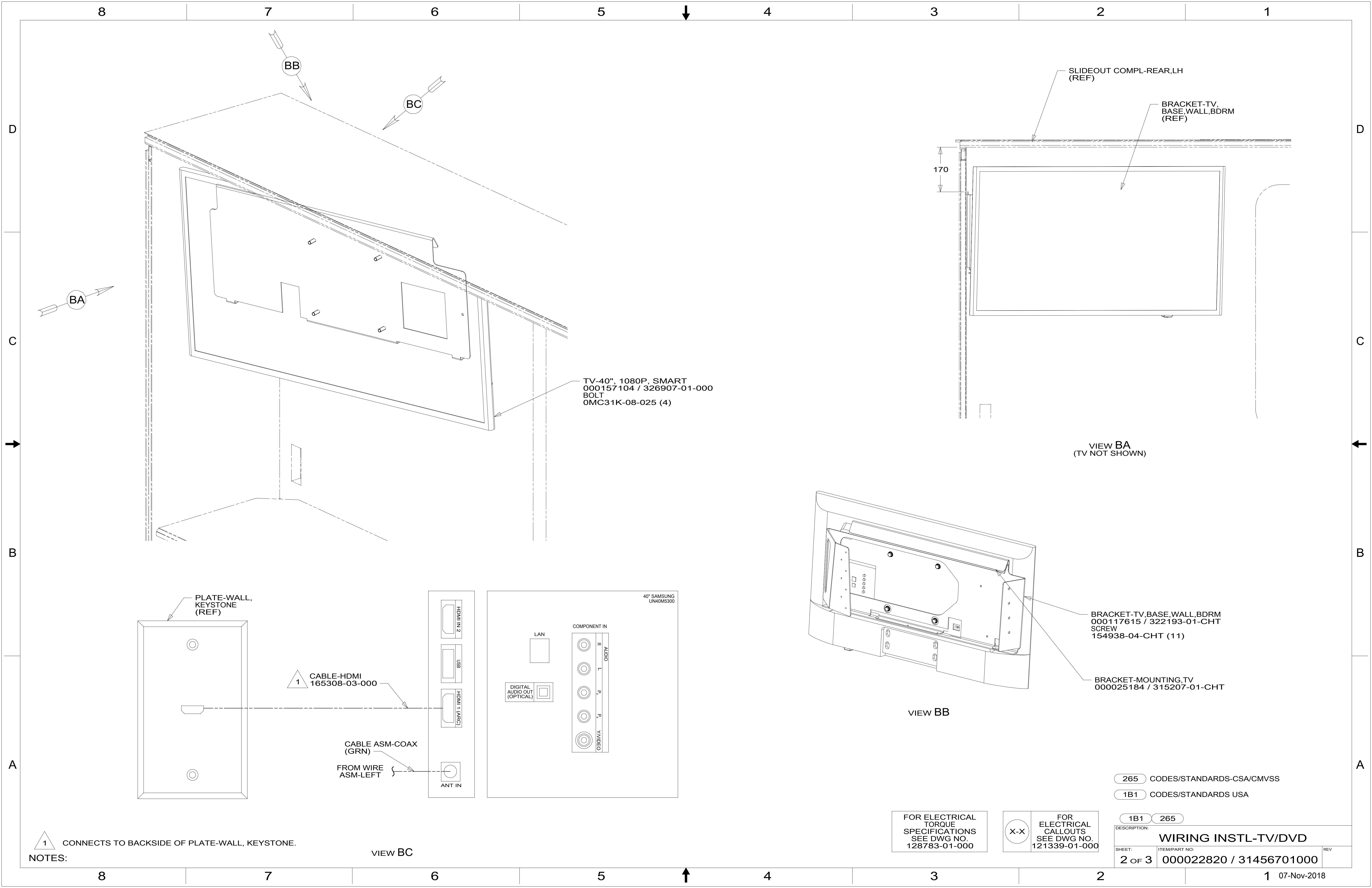
FOR ELECTRICAL TORQUE SPECIFICATIONS SEE DWG NO. 128783-01-000

FOR ELECTRICAL CALLOUTS SEE DWG NO. 121339-01-000

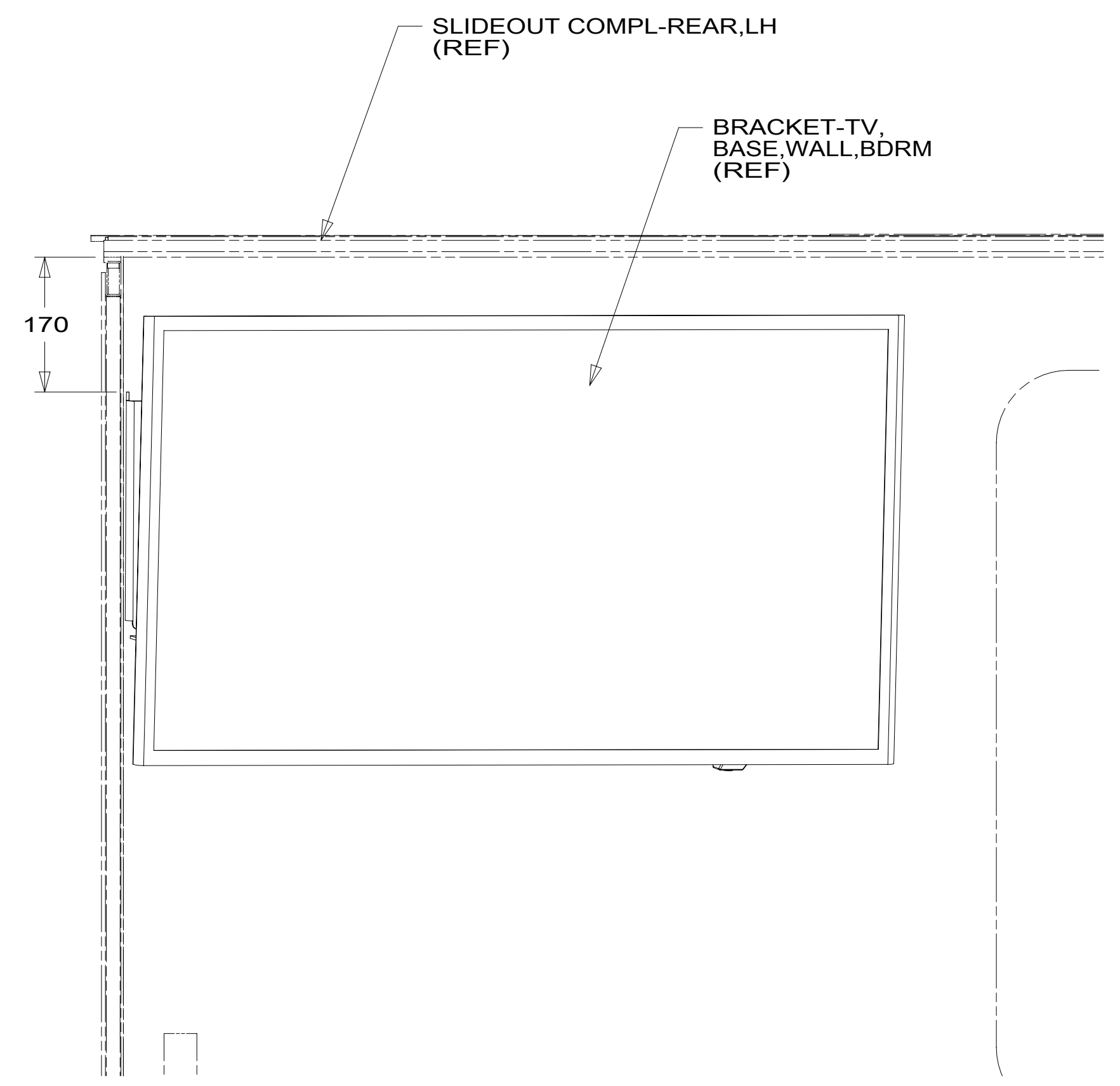
- 45D LOFT BED - WITHOUT
- 45B LOFT BED
- 783 SATELLITE HD TV SYSTEM AUTOC
- 78C SATELLITE SYSTEM READY
- 265 CODES/STANDARDS-CSA/CMVSS
- 1B1 CODES/STANDARDS USA

WINNEBAGO
COPYRIGHT 2016 WINNEBAGO INDUSTRIES, INC.

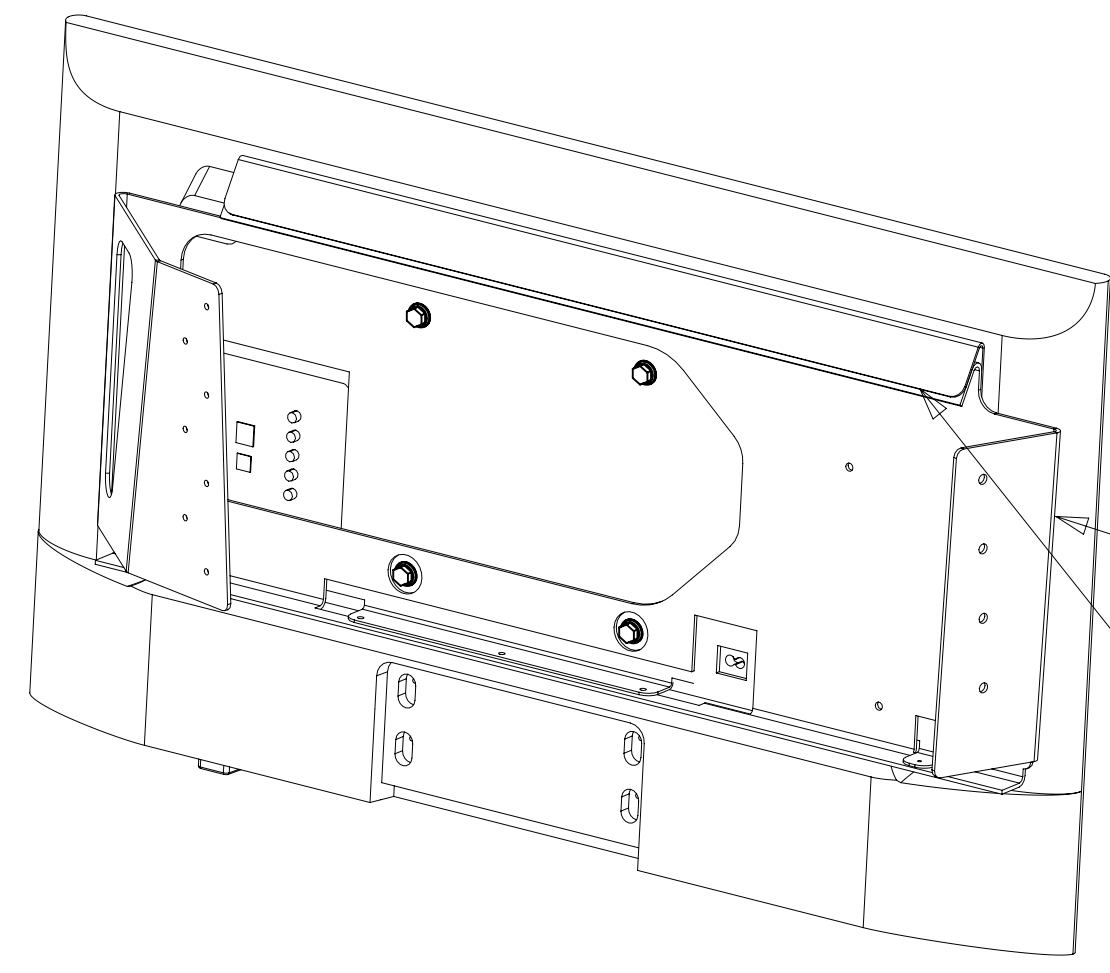
DSNR:	ALL DIMENSIONS ARE IN MILLIMETERS
DFFR:	
UNSPECIFIED TOLERANCES:	MATERIAL:
WHOLE DIM (X) : 3	
ONE-PLACE (X.X) : 1.5	
TWO-PLACE (X.XX) : 0.50	
ANGLE : 1°	
REFER TO ES0018 FOR FASTENER TIGHTENING GUIDELINES	WEIGHT: (LBS) FIRST USED: 17 L36G
DESCRIPTION: WIRING INSTL-TV/DVD	
SHEET: 1 OF 3	ITEM/PART NO.: 000022820 / 31456701000
REF:	1 07-Nov-2018



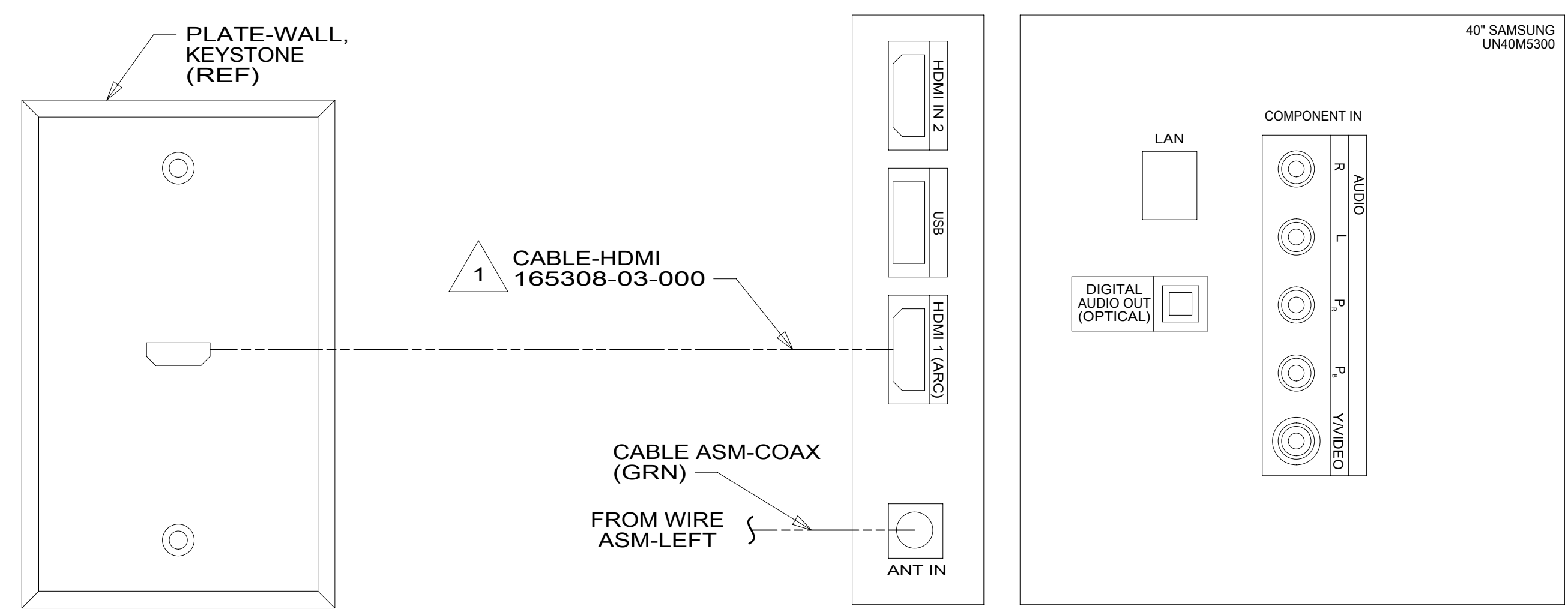
TV-40", 1080P, SMART
 000157104 / 326907-01-000
 BOLT
 OMC31K-08-025 (4)



VIEW BA
 (TV NOT SHOWN)



VIEW BB



VIEW BC

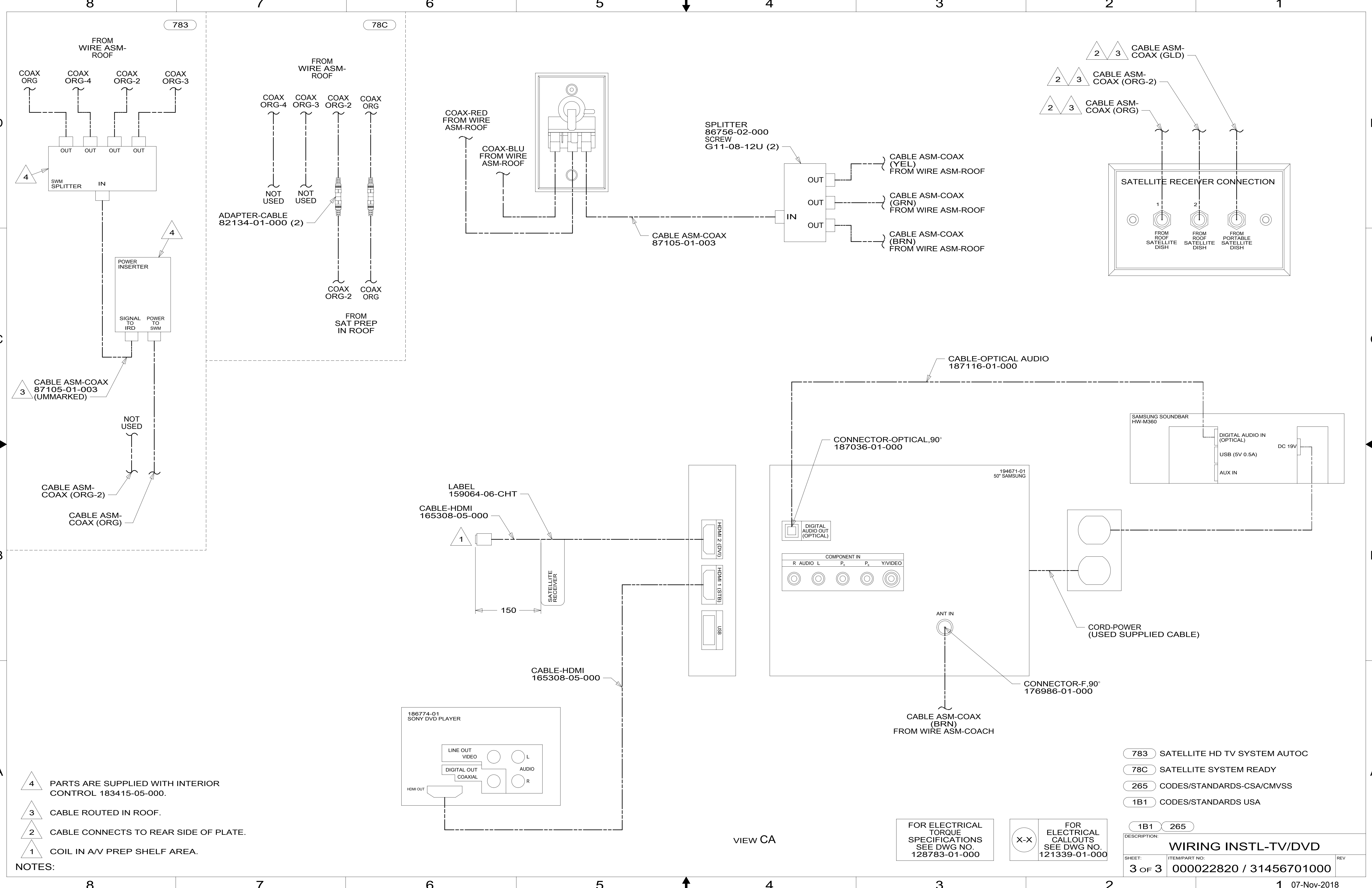
1 CONNECTS TO BACKSIDE OF PLATE-WALL, KEYSTONE.
 NOTES:

FOR ELECTRICAL TORQUE SPECIFICATIONS SEE DWG NO. 128783-01-000

FOR ELECTRICAL CALLOUTS SEE DWG NO. 121339-01-000

- 265 CODES/STANDARDS-CSA/CMVSS
- 1B1 CODES/STANDARDS USA

DESCRIPTION: WIRING INSTL-TV/DVD		REV
SHEET: 2 OF 3	ITEM/PART NO: 000022820 / 31456701000	



- NOTES:
- 4 PARTS ARE SUPPLIED WITH INTERIOR CONTROL 183415-05-000.
 - 3 CABLE ROUTED IN ROOF.
 - 2 CABLE CONNECTS TO REAR SIDE OF PLATE.
 - 1 COIL IN AV PREP SHELF AREA.

- 783 SATELLITE HD TV SYSTEM AUTOC
- 78C SATELLITE SYSTEM READY
- 265 CODES/STANDARDS-CSA/CMVSS
- 1B1 CODES/STANDARDS USA

FOR ELECTRICAL TORQUE SPECIFICATIONS SEE DWG NO. 128783-01-000

FOR ELECTRICAL CALLOUTS SEE DWG NO. 121339-01-000

DESCRIPTION:		WIRING INSTL-TV/DVD	
SHEET:	ITEM/PART NO.:	REV	
3 OF 3	000022820 / 31456701000		

VIEW CA