

- 2 USE THE LONGER SCREW TO PROPERLY ATTACH BREAKER TO BUSS BAR.
- 1 REPLACE EXISTING SCREW TO PROPERLY ATTACH BREAKER TO BUSS BAR.

NOTES:

FOR ELECTRICAL TORQUE SPECIFICATIONS SEE DWG NO. 128783-01-000

FOR ELECTRICAL CALLOUTS SEE DWG NO. 121339-01-000

- 265 CODES/STANDARDS-CSA/CMVSS
- 1B1 CODES/STANDARDS USA
- 1B1 265



DSNR:		ALL DIMENSIONS ARE IN MILLIMETERS	
DIFFR:		17 E32YE	
UNSPECIFIED TOLERANCES:		MATERIAL:	
WHOLE DIM (X)	± 3		
ONE-PLACE (X.X)	± 1.5		
TWO-PLACE (X.XX)	± 0.50		
ANGLE	± 1°		
REFER TO ES0018 FOR FASTENER TIGHTENING GUIDELINES		WEIGHT: (LBS)	FIRST USED:
CHASSIS ELECTRICAL BOX ASM			
SHEET:	ITEM/PART NO.:	REV:	
1 OF 2	000021959 / 31438301000		

8 7 6 5 4 3 2 1

D

D

C

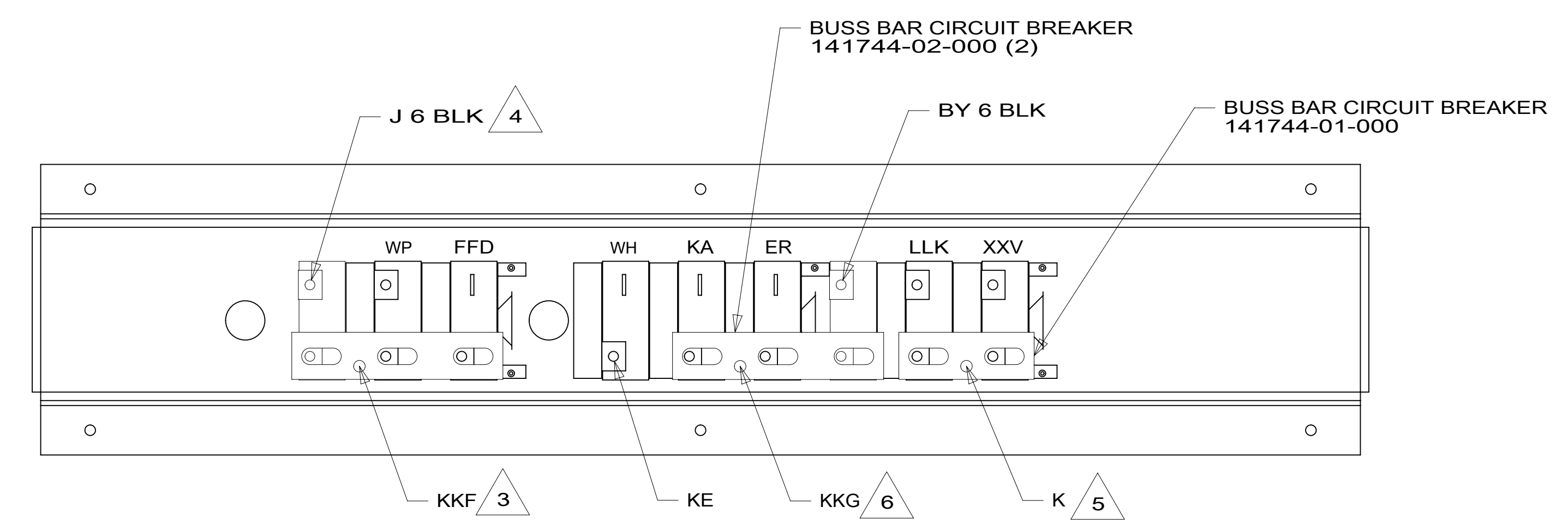
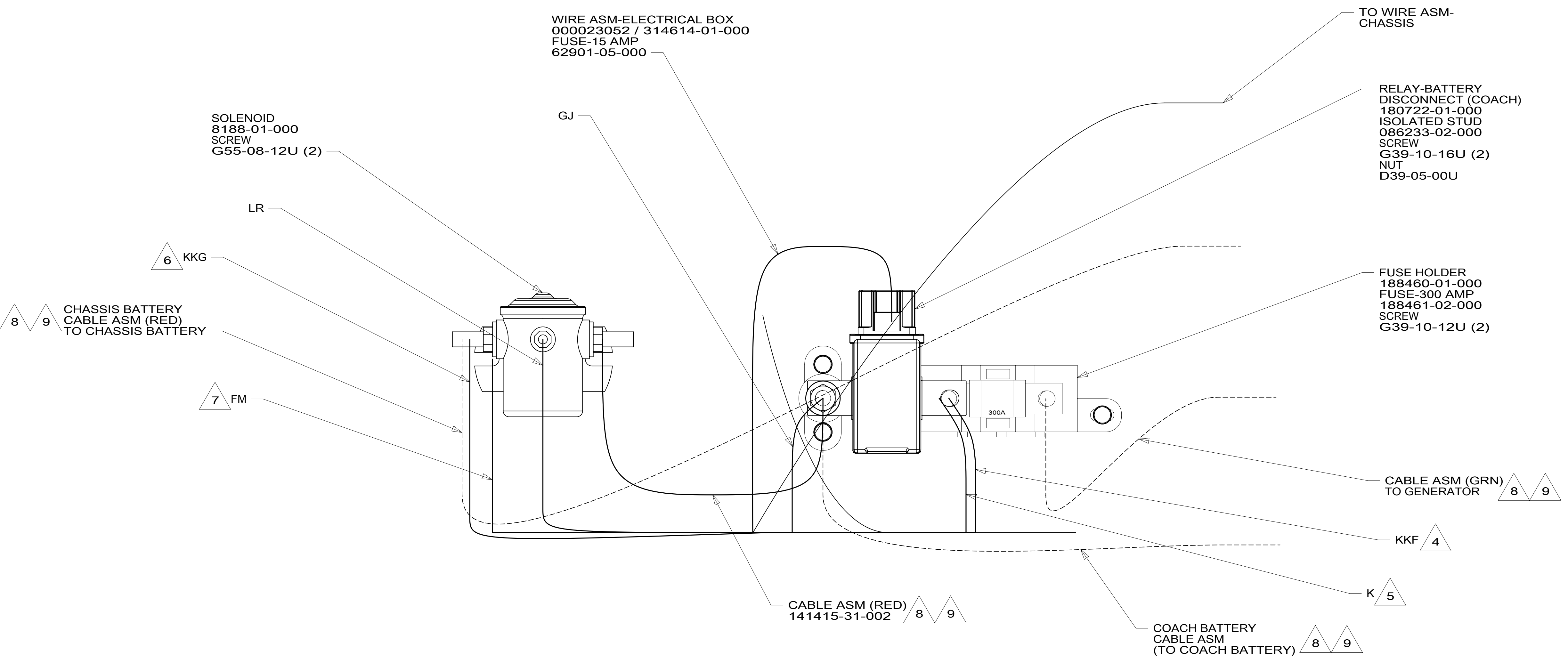
C

B

B

A

A



- 9 SEE BATTERY INSTL FOR ADDITIONAL INFORMATION.
- 8 SEE WIRING INSTL-CHASSIS FOR ADDITIONAL INFORMATION.
- 7 SECURE WITH SOLENOID MOUNTING SCREW.
- 6 WIRE MARKED WITH RED TAPE.
- 5 WIRE MARKED WITH PURPLE TAPE.
- 4 WIRE MARKED WITH YELLOW TAPE.
- 3 WIRE MARKED WITH 2 WRAPS OF YELLOW TAPE.

2. SECURE CONDUIT 41953, TAB AS REQUIRED, OVER ALL WIRES IN CONTACT WITH SHARP EDGES.

1. LEGEND: — WINNEBAGO: - - - - - CABLE: - - - - - CHASSIS SUPPLIED WIRING.

NOTES:

FOR ELECTRICAL TORQUE SPECIFICATIONS SEE DWG NO. 128783-01-000

FOR ELECTRICAL CALLOUTS SEE DWG NO. 121339-01-000

265 CODES/STANDARDS-CSA/CMVSS
1B1 CODES/STANDARDS USA

DESCRIPTION:	
1B1 265	
CHASSIS ELECTRICAL BOX ASM	
SHEET:	ITEM/PART NO.:
2 OF 2	000021959 / 31438301000
REV	

8 7 6 5 4 3 2 1 18-Jan-2018