

17. USE SCREW 000G11-08-06U (2) TO LOCATE AND FASTEN STEEL BRACKET TO FLOOR. THEN FASTEN DOWN PLASTIC BRACKETS TO FLOOR USING SCREW 000G42-04-24U (2) AND SUPPLIED PLASTIC ANCHORS. PLACE TOILET OVER THE BRACKETS AND FASTEN USING SUPPLIED HARDWARE AND THEN USE WHITE CAPS TO COVER SCREWS.

16. CUT 60MM OFF BOTTOM OF GALLEY CONTINUOUS WASTE ASM.

15. ADD (1) RUBBER WASHER P/N 000156082 / 326591-01-CHT TO A-10 FITTING.

14. LOCATE BACK EDGE OF TOILET 70MM FROM SIDEWALL.

13. REMOVE SWIVEL NUT ON TRAP-WATERLESS 165406-01-000, AND CONNECT A-10.

12. REQUIRES 5 GALLONS RV ANTIFREEZE 182955-01-000 PER TOILET. FOLLOW TECMA TOILET WINTERIZATION PROCEDURE.

11. GLUE FITTING AFTER CABINET IS INSTALLED.

10. APPLY PRIMER 126427-02-000 AND CEMENT 126427-01-000 BETWEEN ELBOW AND FLEX PIPE.

9. SEE DRAWING 061607 FOR INSTALLATION OF GROMMETS.

8. SECURE DRAINAGE PIPES TO CABINET USING WIRE TIE 108046-02-000, AND SCREW 000G67-10-12U AT INTERVALS OF NOT OF NOT MORE THAN 4 FEET APART.

7. SECURE VENT PIPE TO GROMMET WITH CLAMP 062401-02-000.

6. VENT PIPE MUST PROJECT 51 MIN AND 64 MAX ABOVE ROOF FOR PROPER FIT AND FUNCTION. ADD S-1 (116666-01-CHT SEAL-VENT PIPE) AROUND PIPE ON ROOF BEFORE VENT CAP IS INSTALLED.

5. SEAL AROUND SHOWER WITH SILICONE.

4. USE SMOOTH PLUMBERS PUTTY 167459-01-000 TO SEAL STRAINER (0.2 PER STRAINER).

3. ALL PIPE AND FITTINGS TO BE ASSEMBLED WITH SOLVENT 004020-01-000 (USA), 004020-02-000 (CAN)

2. SLOPE OF TRAP ARM MUST BE 6 PER 305 mm.

1. SLOPE OF HORIZONTAL PIPING TO BE MINIMUM OF 3 PER 305 mm.

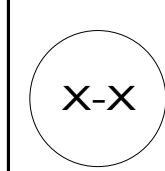
NOTES:

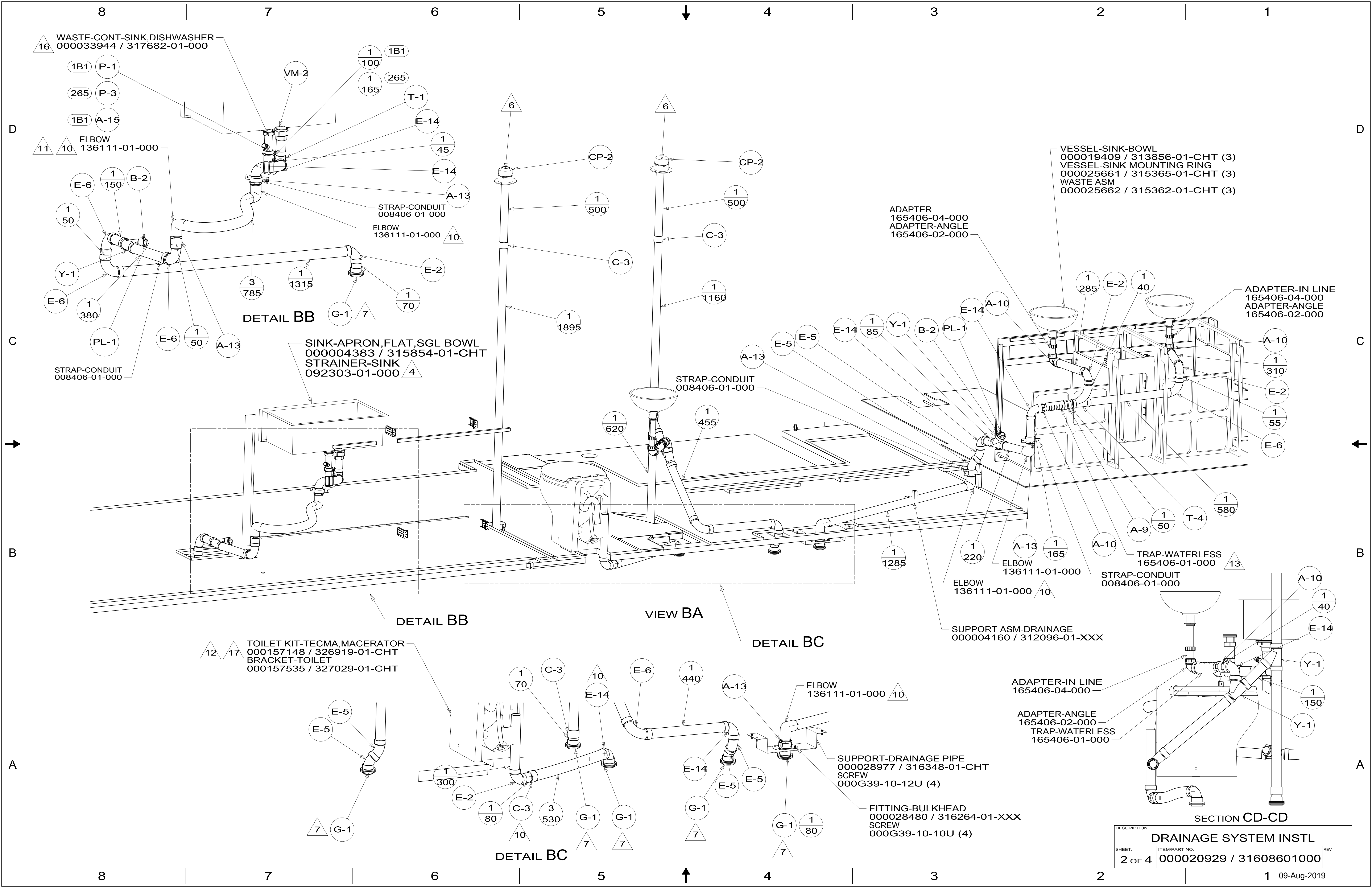
1B1 CODES/STANDARDS USA
265 CODES/STDS-CSA,CMVSS



DSNR:		ALL DIMENSIONS ARE IN MILLIMETERS	
DIFTR:		MATERIAL:	
UNSPECIFIED TOLERANCES:			
WHOLE DIM (X)	3		
ONE-PLACE (X.X)	1.5		
TWO-PLACE (X.XX)	0.50		
ANGLE	1°		
REFER TO ES0018 FOR FASTENER TIGHTENING GUIDELINES		WEIGHT: (LBS)	FIRST USED: (REF)
			18 R45PL
DESCRIPTION: DRAINAGE SYSTEM INSTL			
SHEET:	ITEM/PART NO.:	REV	
1 OF 4	000020929 / 31608601000		

FOR DRAINAGE CALLOUTS SEE DWG NO. 000211962 / 303370-01-000





16 WASTE-CONT-SINK,DISHWASHER
000033944 / 317682-01-000

1B1 P-1
265 P-3
1B1 A-15

11 10 ELBOW
136111-01-000

E-6 1 150 B-2
1 50

Y-1
E-6 1 380
PL-1

E-6 1 50 A-13
STRAP-CONDUIT
008406-01-000

DETAIL BB

SINK-APRON,FLAT,SGL BOWL
000004383 / 315854-01-CHT
STRAINER-SINK
092303-01-000 4

DETAIL BB

12 17 TOILET KIT-TECMA,MACERATOR
000157148 / 326919-01-CHT
BRACKET-TOILET
000157535 / 327029-01-CHT

E-5
E-5
7 G-1

1 70 C-3 10 E-6 1 440 A-13
E-14
E-2 1 80 C-3 3 530 G-1 G-1
10

DETAIL BC

VIEW BA

DETAIL BC

ELBOW
136111-01-000 10

SUPPORT-DRAINAGE PIPE
000028977 / 316348-01-CHT
SCREW
000G39-10-12U (4)
FITTING-BULKHEAD
000028480 / 316264-01-XXX
SCREW
000G39-10-10U (4)

ADAPTER
165406-04-000
ADAPTER-ANGLE
165406-02-000

VESSEL-SINK-BOWL
000019409 / 313856-01-CHT (3)
VESSEL-SINK MOUNTING RING
000025661 / 315365-01-CHT (3)
WASTE ASM
000025662 / 315362-01-CHT (3)

ADAPTER-IN LINE
165406-04-000
ADAPTER-ANGLE
165406-02-000

1 285 E-2 1 40
A-10
1 310
E-2
1 55
E-6

TRAP-WATERLESS
165406-01-000 13
STRAP-CONDUIT
008406-01-000

SUPPORT ASM-DRAINAGE
000004160 / 312096-01-XXX

ADAPTER-IN LINE
165406-04-000

ADAPTER-ANGLE
165406-02-000
TRAP-WATERLESS
165406-01-000

A-10 1 40
E-14
Y-1
1 150
Y-1

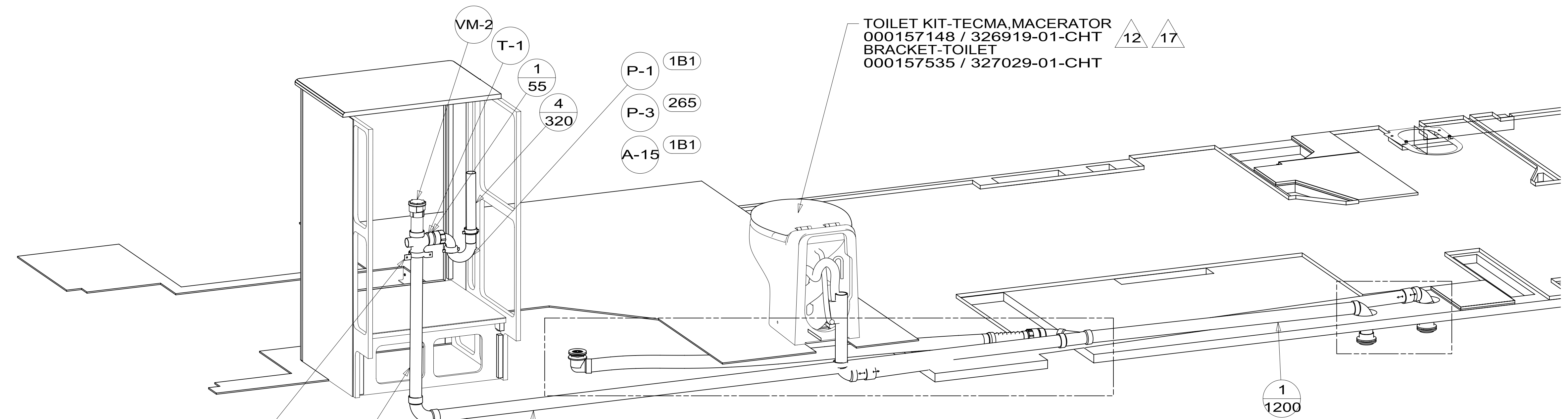
SECTION CD-CD

DESCRIPTION: DRAINAGE SYSTEM INSTL		
SHEET: 2 OF 4	ITEM/PART NO: 000020929 / 31608601000	REV
		09-Aug-2019

8 7 6 5 4 3 2 1

D

D



STRAP-CONDUIT
008406-01-000

1/630
E-6

1/2735

STRAP-CONDUIT
008406-01-000

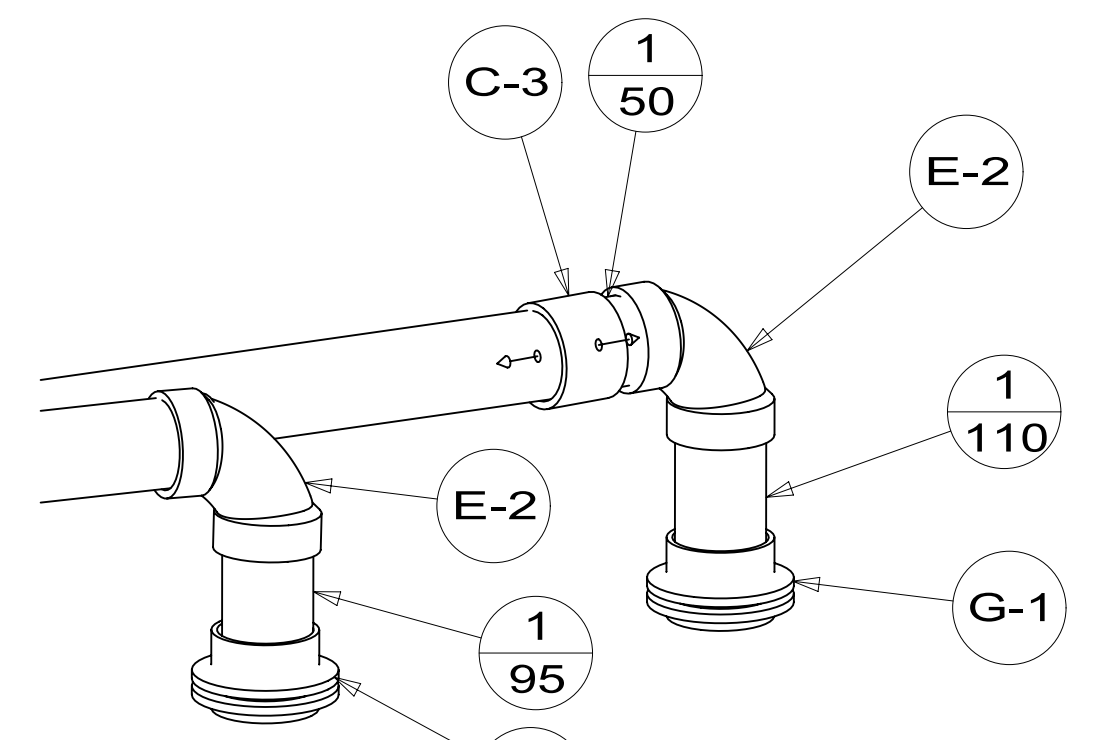
VIEW CA

C

C

B

B



DETAIL CB

SHOWER
000031900 / 317626-01-000
STRAINER W/RUBBER WASHER
066440-01-000
ELBOW-DRAIN
131486-01-000

3/1700

TRAP-WATERLESS
165406-01-000

A-9

A-10 15

1/50 E-5

Y-1

1/300 E-2

1/80 C-3

3/2375

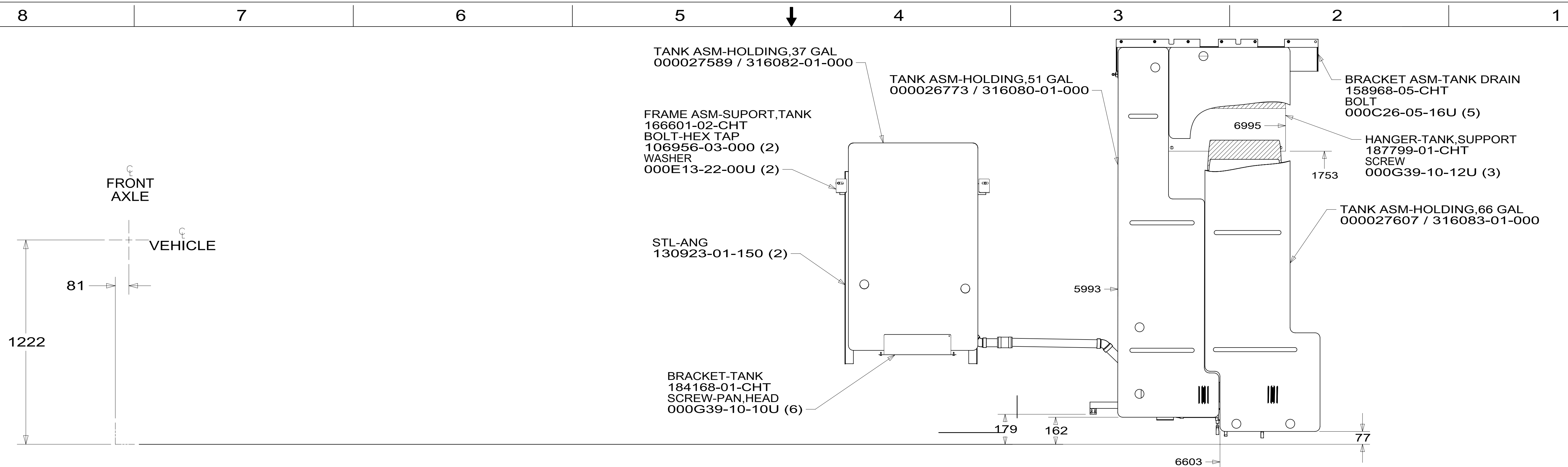
DETAIL CC

A

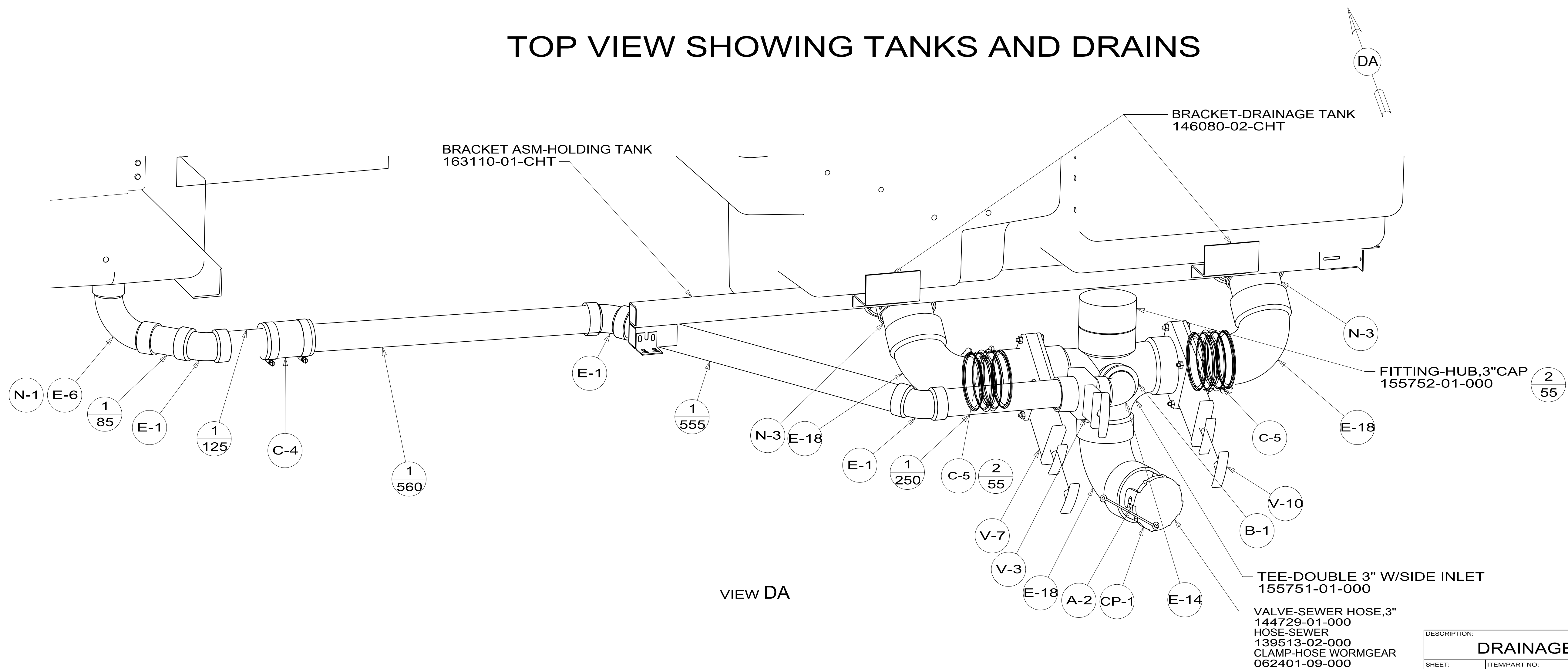
A

8 7 6 5 4 3 2 1

DESCRIPTION: DRAINAGE SYSTEM INSTL		
SHEET: 3 OF 4	ITEM/PART NO: 000020929 / 31608601000	REV



TOP VIEW SHOWING TANKS AND DRAINS



DESCRIPTION: DRAINAGE SYSTEM INSTL		
SHEET: 4 OF 4	ITEM/PART NO: 000020929 / 31608601000	REV