

- 9. SEE DRAWING 061607 FOR INSTALLATION OF GROMMETS.
- 8. SECURE DRAINAGE PIPES TO CABINET USING WIRE TIE 108046-02-000, AND SCREW 000G67-10-12U AT INTERVALS OF NOT OF NOT MORE THAN 4 FEET APART.
- 7. SECURE VENT PIPE TO GROMMET WITH CLAMP 000156237 / 326663-02-000.
- 6. VENT PIPE MUST PROJECT 51 MIN AND 64 MAX ABOVE ROOF FOR PROPER FIT AND FUNCTION. ADD S-1 (000156099 / 326607-01-CHT SEAL-VENT PIPE) AROUND PIPE ON ROOF BEFORE VENT CAP IS INSTALLED.
- 5. SEAL AROUND SHOWER WITH SILICONE.
- 4. USE SMOOTH PLUMBERS PUTTY 167459-01-000 TO SEAL STRAINER (0.2 PER STRAINER).
- 3. ALL PIPE AND FITTINGS TO BE ASSEMBLED WITH SOLVENT 004020-01-000 (USA), 004020-02-000 (CAN)
- 2. SLOPE OF TRAP ARM MUST BE 6 PER 305 mm.
- 1. SLOPE OF HORIZONTAL PIPING TO BE MINIMUM OF 3 PER 305 mm.

NOTES:

- 21M WASHER/DRYER PREP
- 21S WASHER & DRYER-PAIR
- 1B1 CODES/STANDARDS USA
- 265 CODES/STANDARDS-CSA/CMVSS

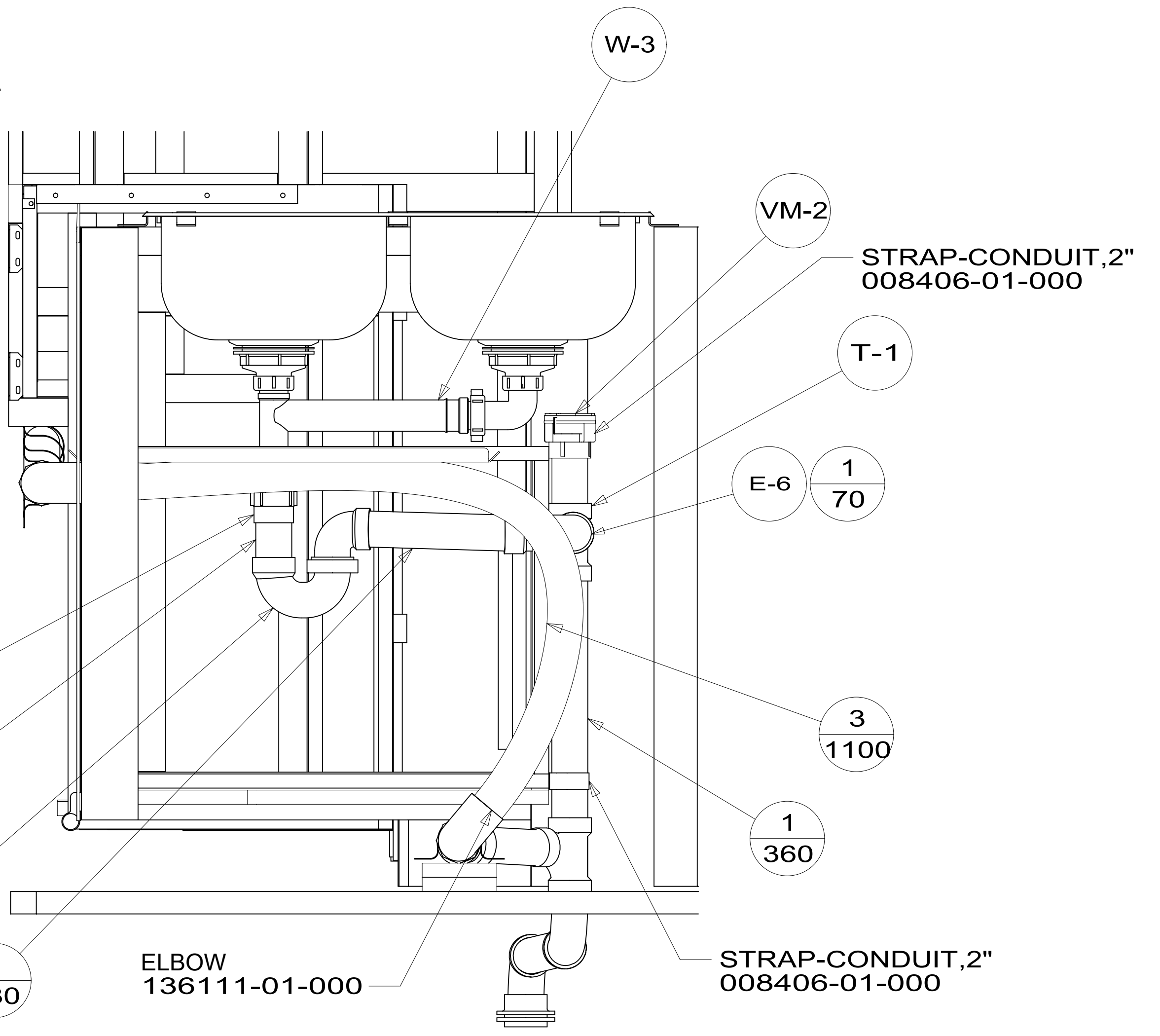
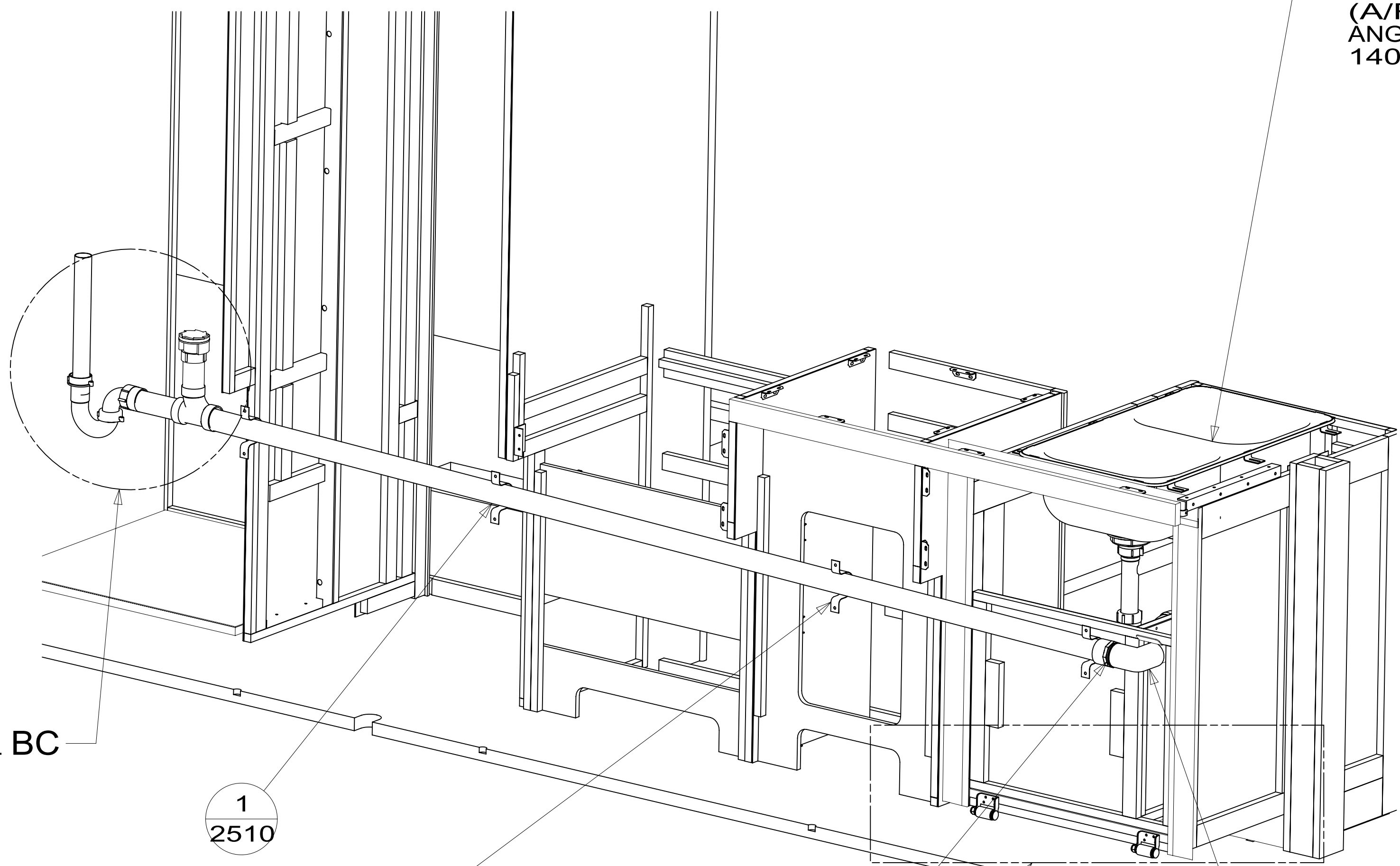


DSNR:		ALL DIMENSIONS ARE IN MILLIMETERS	
DIFFR:		MATERIAL:	
UNSPECIFIED TOLERANCES:			
WHOLE DIM (X)	3		
ONE-PLACE (X.X)	1.5		
TWO-PLACE (X.XX)	0.50		
ANGLE	1°		
REFER TO ES0018 FOR FASTENER TIGHTENING GUIDELINES		WEIGHT: (LBS)	FIRST USED: (REF)
			17 L34T
DESCRIPTION: DRAINAGE SYSTEM INSTL			
SHEET:	ITEM/PART NO:	REV	
1 OF 5	000012991 / 31156301000		

X-X
FOR DRAINAGE CALLOUTS SEE DWG NO. 000211962 / 303370-01-000

8 7 6 5 4 3 2 1

SINK-GALLEY, DBL
 184806-01-CHT
 STRAINER
 092303-01-000 (2) \triangle 4
 SEAL
 (A/R)
 ANGLE-W/SLOT
 140002-01-CHT (10)



DETAIL BC

1
2510

STRAP-CONDUIT, 2"
 008406-01-000 (4)

VIEW BA

A-13

DETAIL BD

ELBOW
 136111-01-000

VIEW BB

A-15

1
85

P-4

1
230

ELBOW
 136111-01-000

VM-2

STRAP-CONDUIT, 2"
 008406-01-000

T-1

E-6

1
70

3
1100

1
360

STRAP-CONDUIT, 2"
 008406-01-000

STRAP-CONDUIT, 2"
 008406-01-000

1
155

A-13

E-3

1
520

T-1

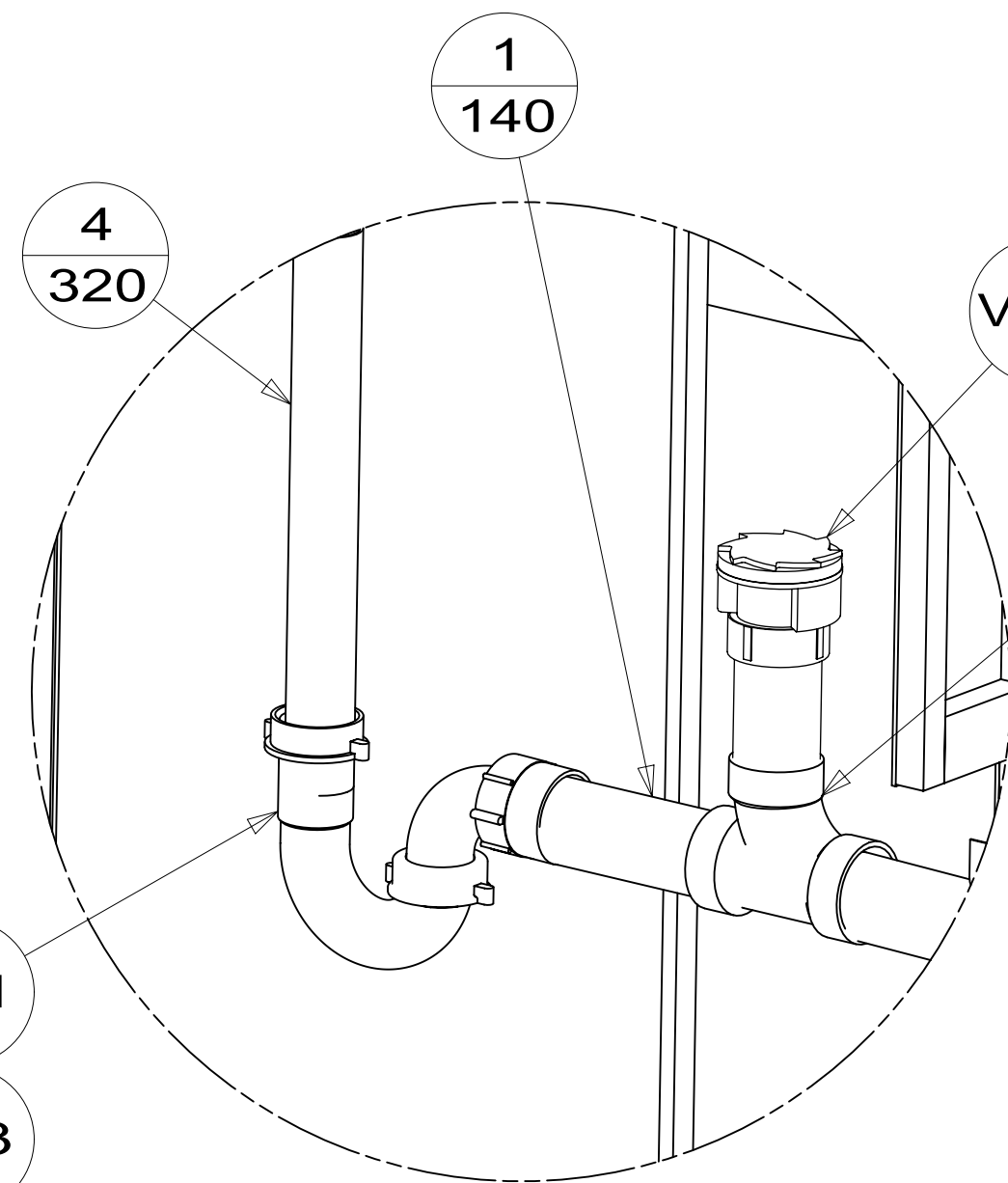
E-3

PLYWOOD
 000860-51-156 (2)

1
140

E-1

DETAIL BD
 (SHOWN W/OUT CABINETS AND FLOOR)



DETAIL BC
 (21S)

1B1 P-1

265 P-3

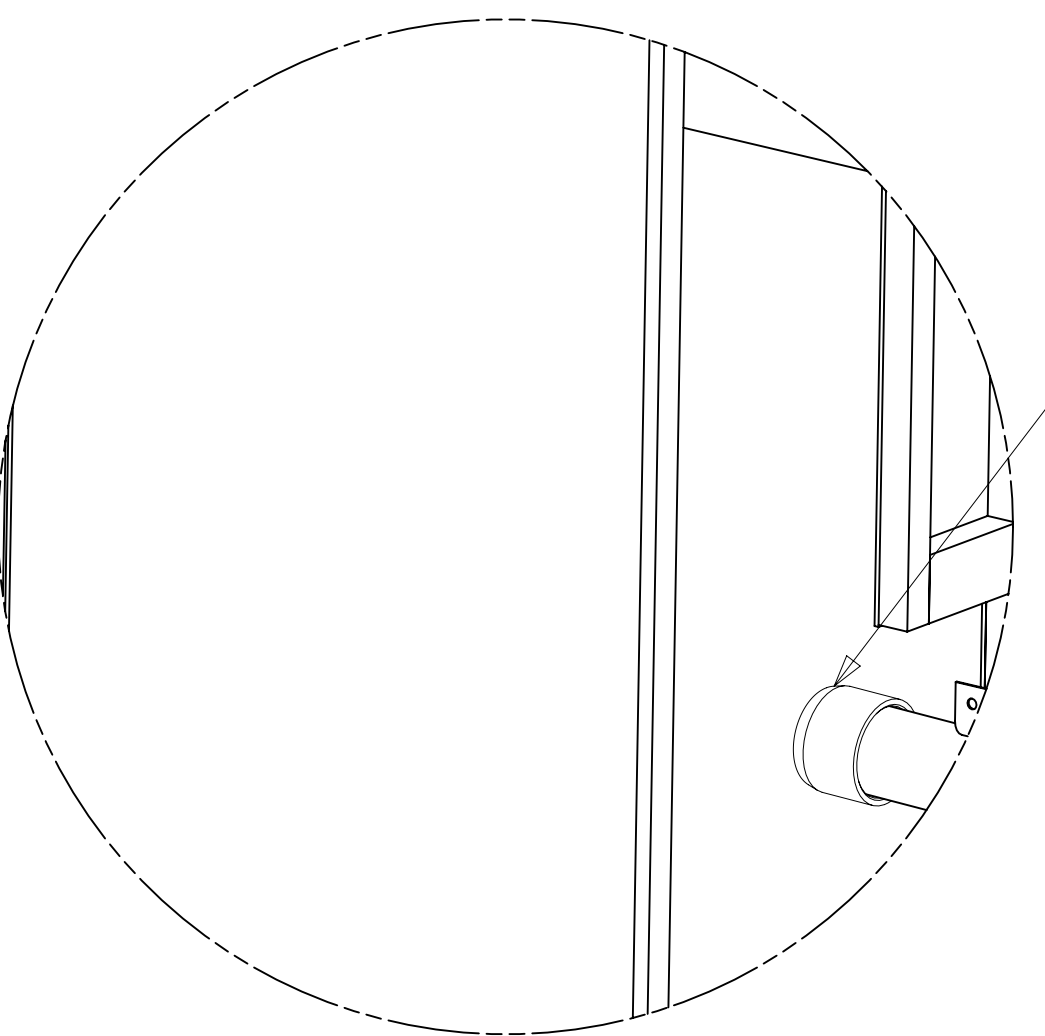
1B1 A-15

1
140

4
320

VM-2

T-1

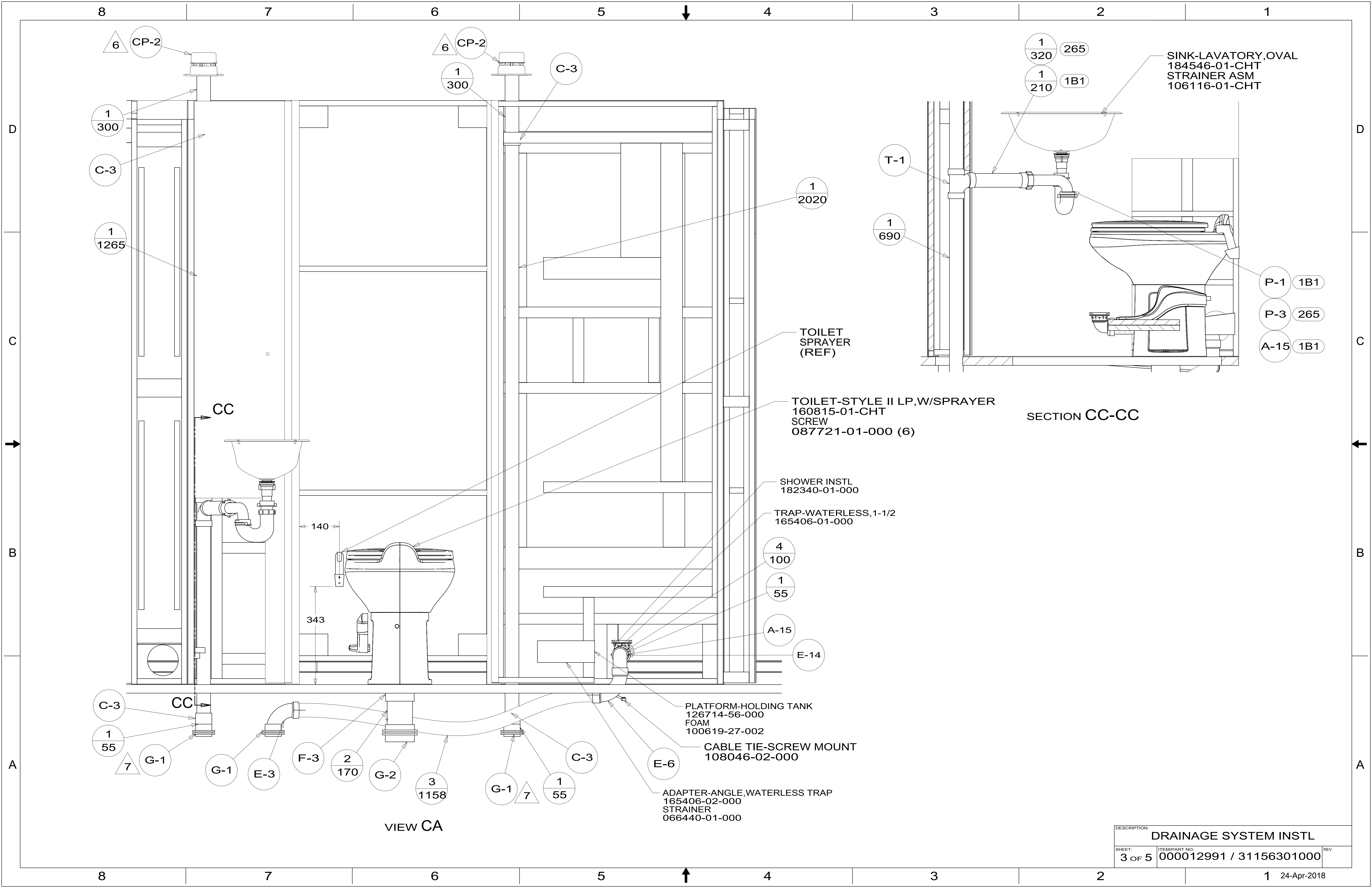


DETAIL BC
 (21M)

CP-3

DESCRIPTION:		
DRAINAGE SYSTEM INSTL		
SHEET:	ITEM/PART NO.:	REV
2 OF 5	000012991 / 31156301000	

8 7 6 5 4 3 2 1 24-Apr-2018



6 CP-2

6 CP-2

1 320 265
1 210 1B1

SINK-LAVATORY, OVAL
184546-01-CHT
STRAINER ASM
106116-01-CHT

1 300

1 300

1 2020

1 690

P-1 1B1

P-3 265

A-15 1B1

C-3

TOILET
SPRAYER
(REF)

TOILET-STYLE II LP, W/SPRAYER
160815-01-CHT
SCREW
087721-01-000 (6)

SECTION CC-CC

1 1265

SHOWER INSTL
182340-01-000

TRAP-WATERLESS, 1-1/2
165406-01-000

CC

4 100

1 55

A-15

E-14

140

343

PLATFORM-HOLDING TANK
126714-56-000
FOAM
100619-27-002

CABLE TIE-SCREW MOUNT
108046-02-000

C-3

1 55

7 G-1

G-1

E-3

F-3

2 170

G-2

3 1158

G-1

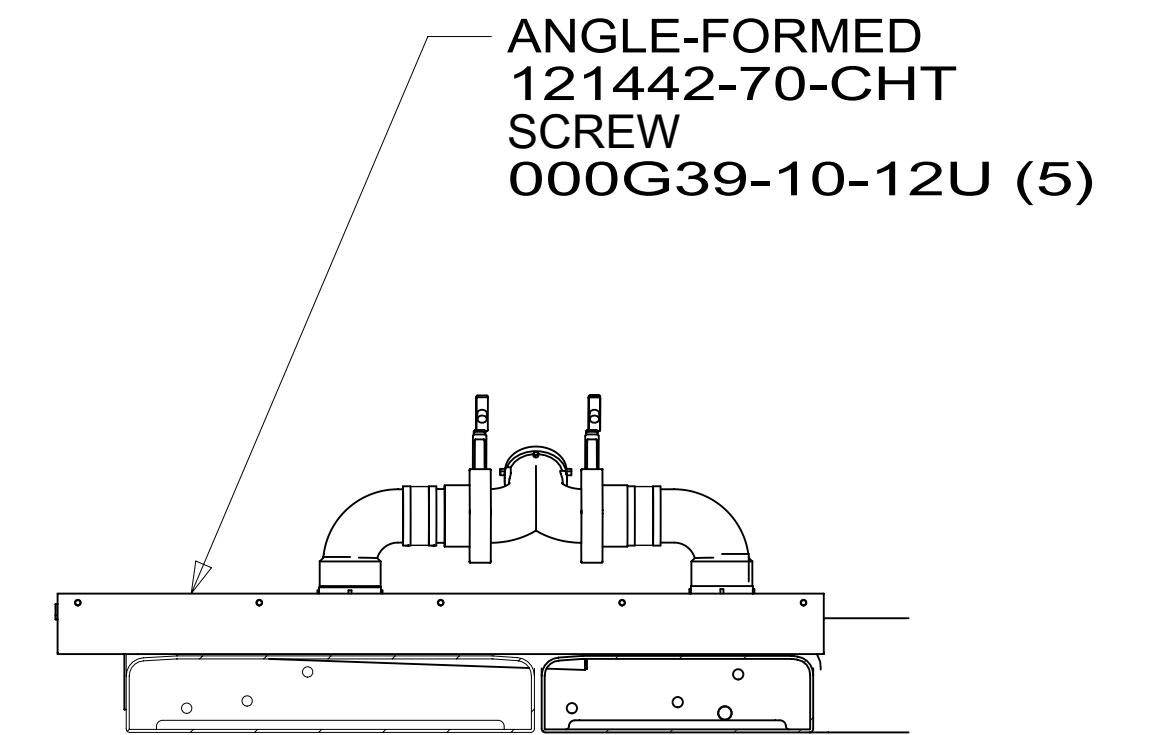
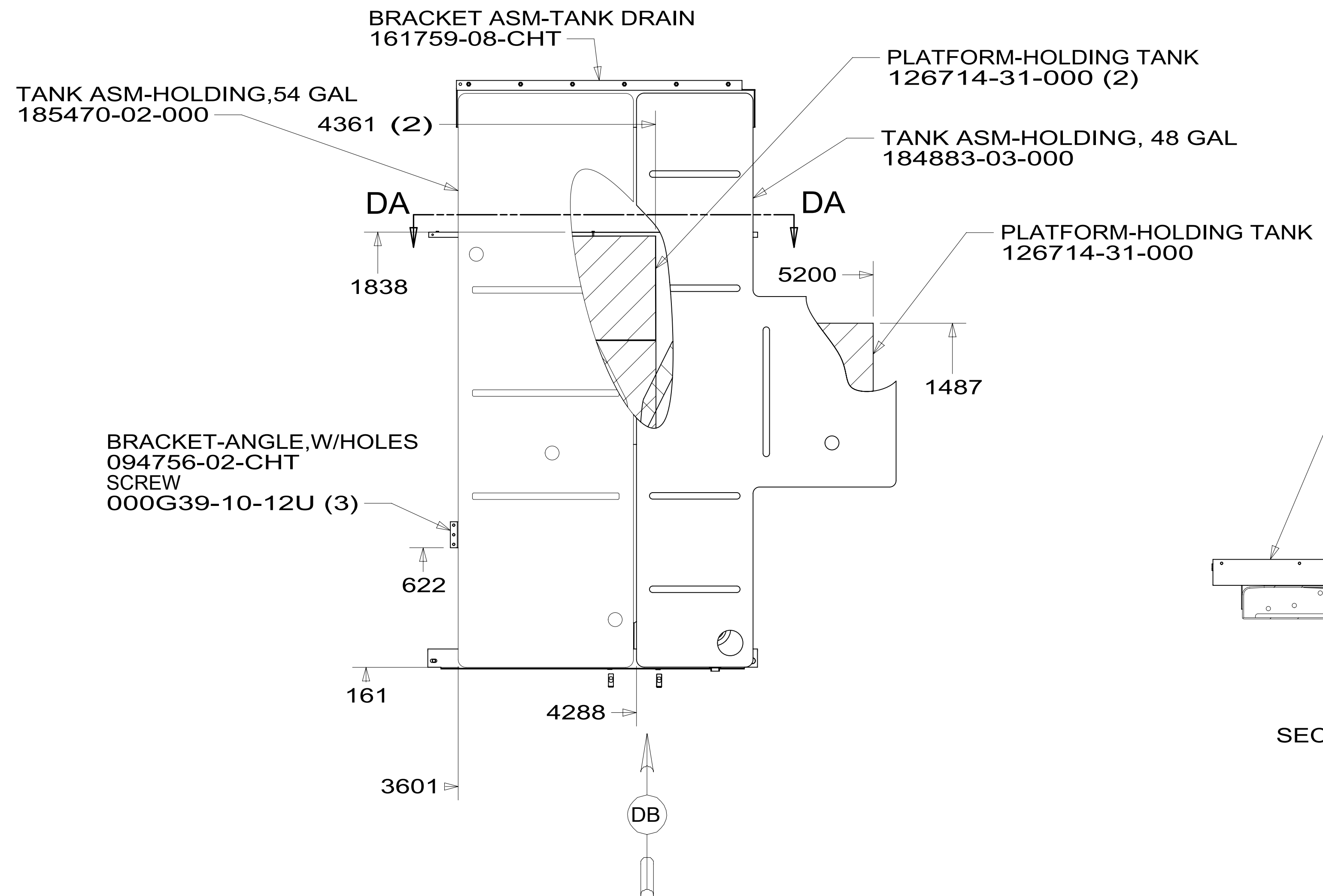
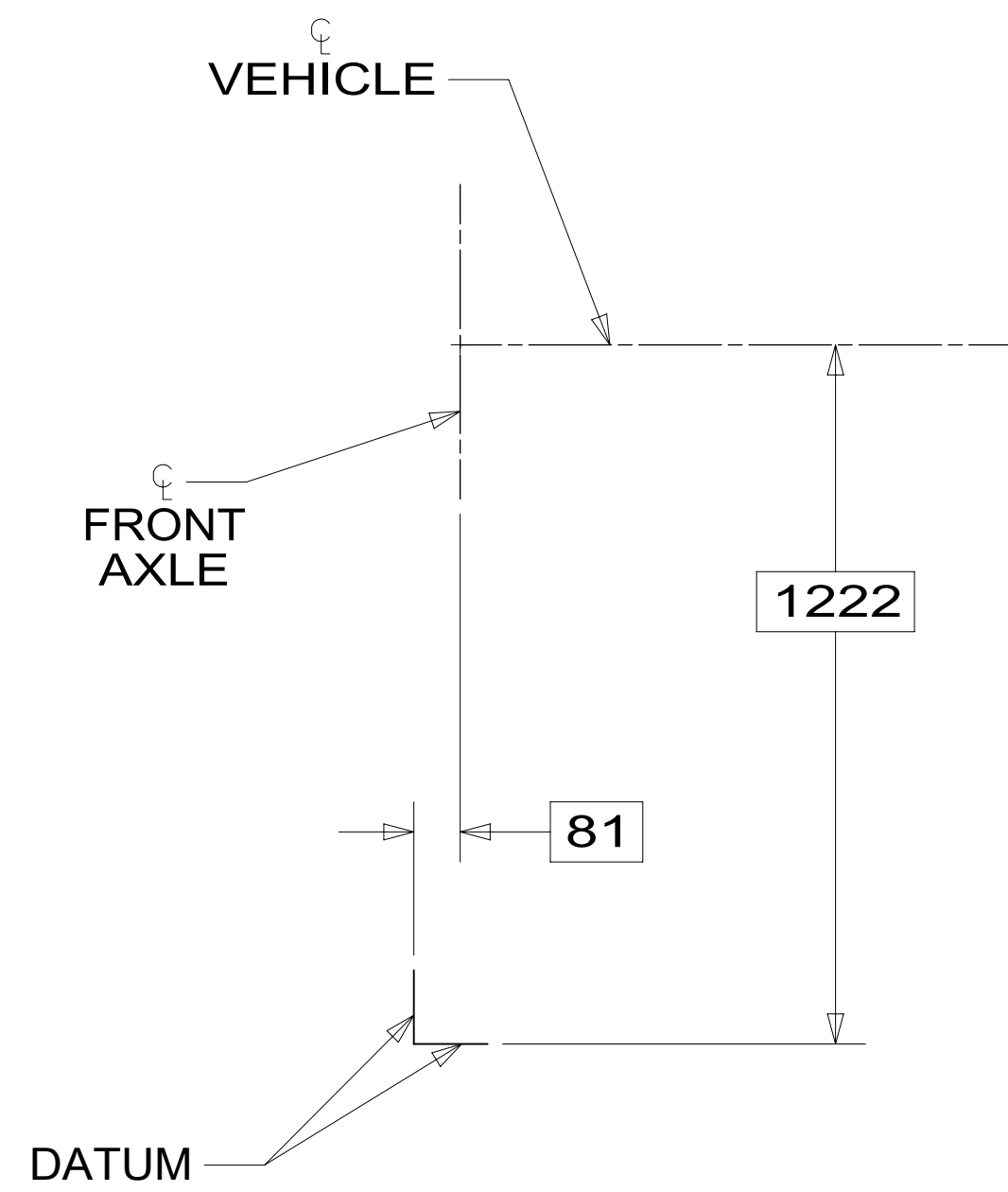
7

1 55

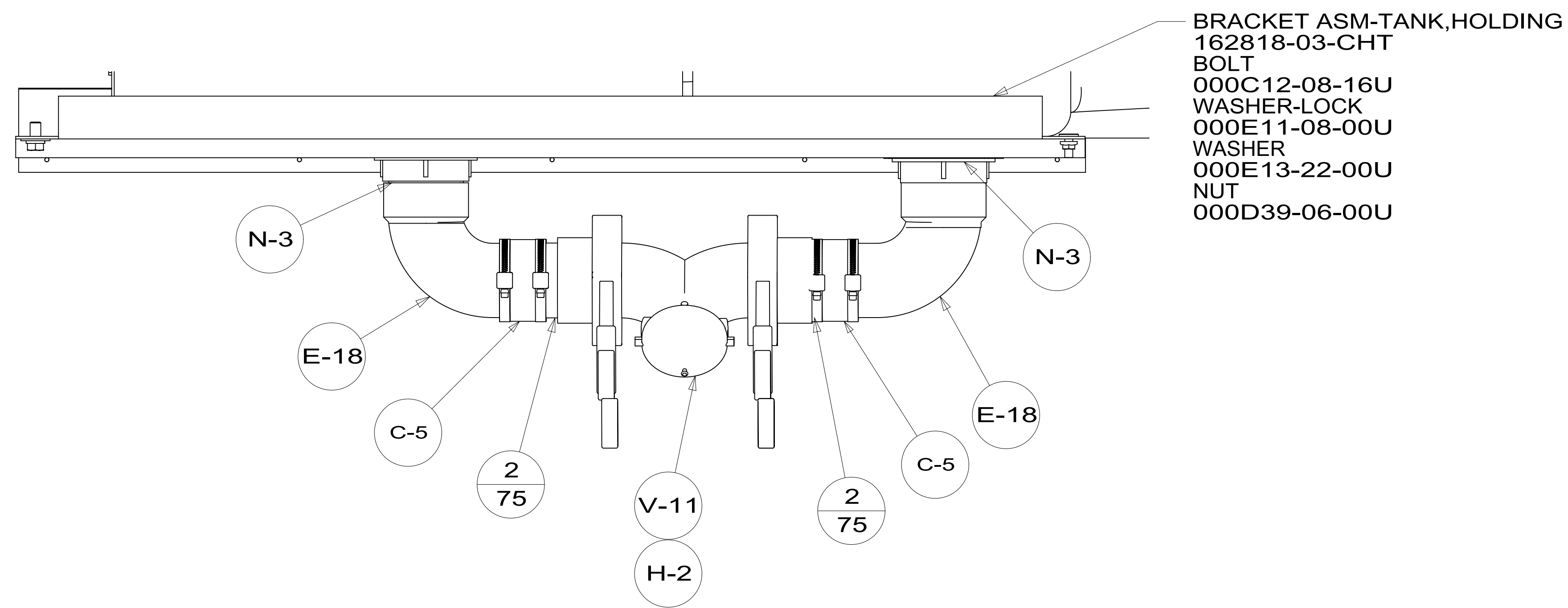
ADAPTER-ANGLE, WATERLESS TRAP
165406-02-000
STRAINER
066440-01-000

VIEW CA

DESCRIPTION: DRAINAGE SYSTEM INSTL		
SHEET: 3 OF 5	ITEM/PART NO: 000012991 / 31156301000	REV
		1 24-Apr-2018

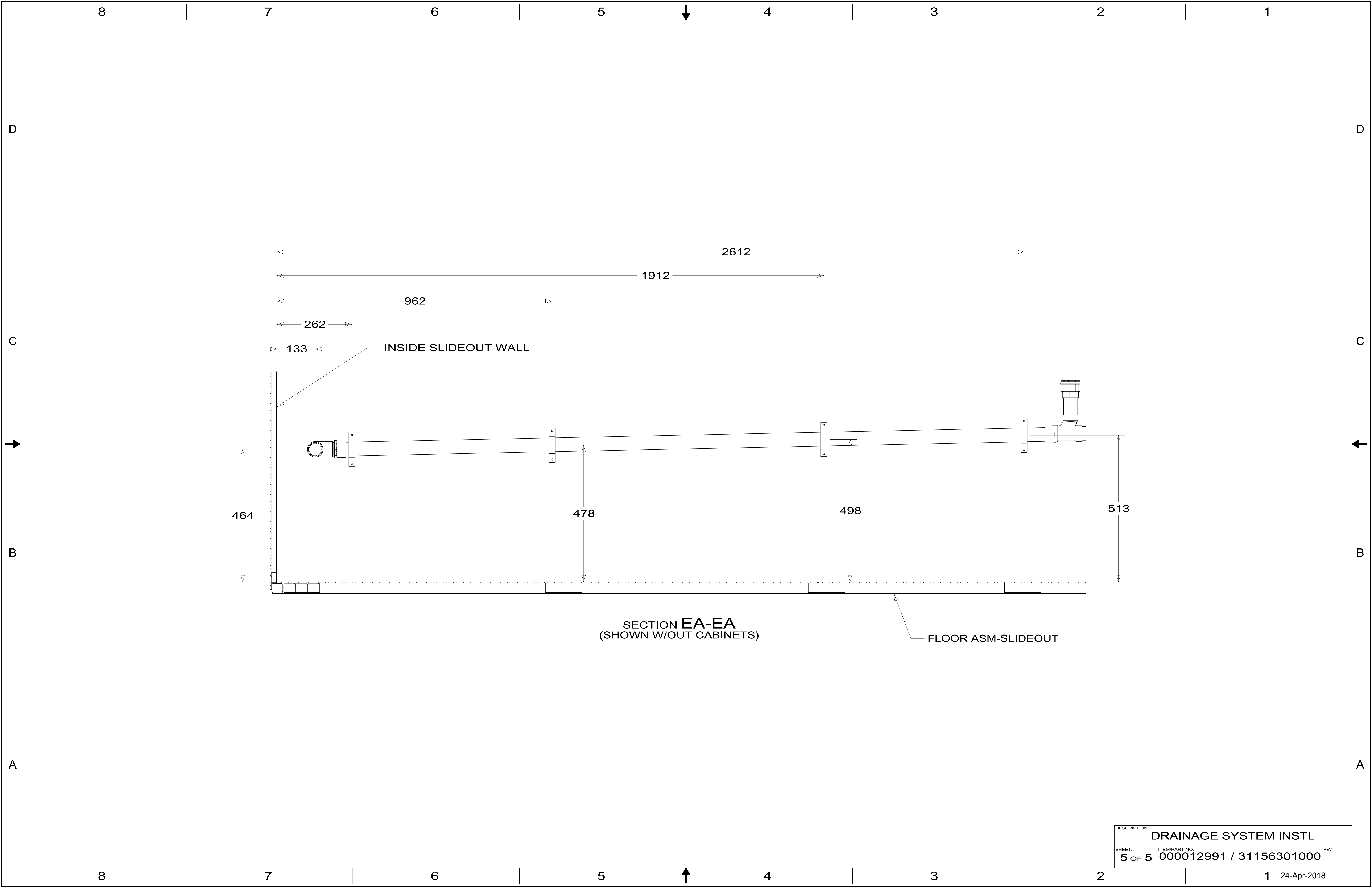


TOP VIEW SHOWING ONLY DRAINS AND TANKS



VIEW DB

DESCRIPTION: DRAINAGE SYSTEM INSTL		
SHEET: 4 OF 5	ITEM/PART NO: 000012991 / 31156301000	REV



DESCRIPTION:		
DRAINAGE SYSTEM INSTL		
SHEET:	ITEM/PART NO.:	REV
5 OF 5	000012991 / 31156301000	