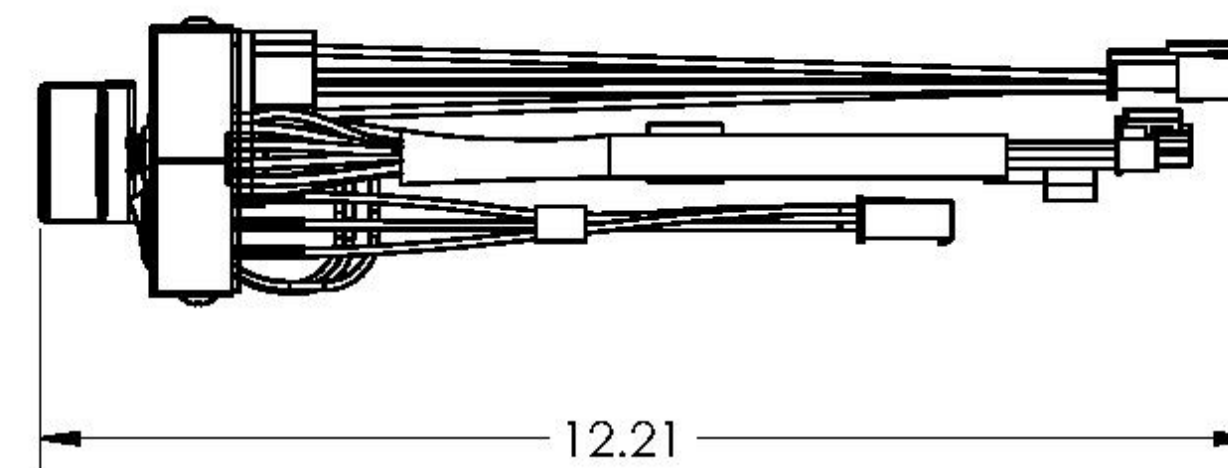
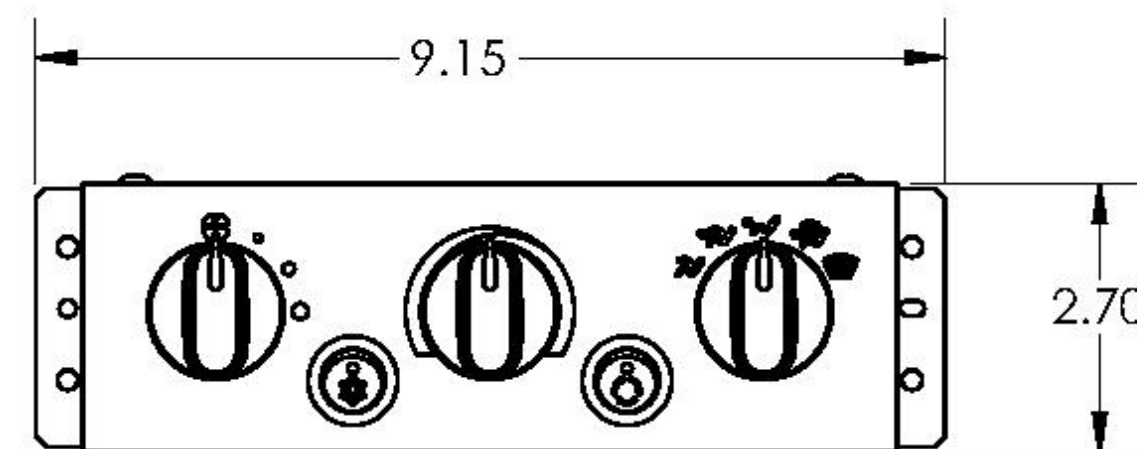
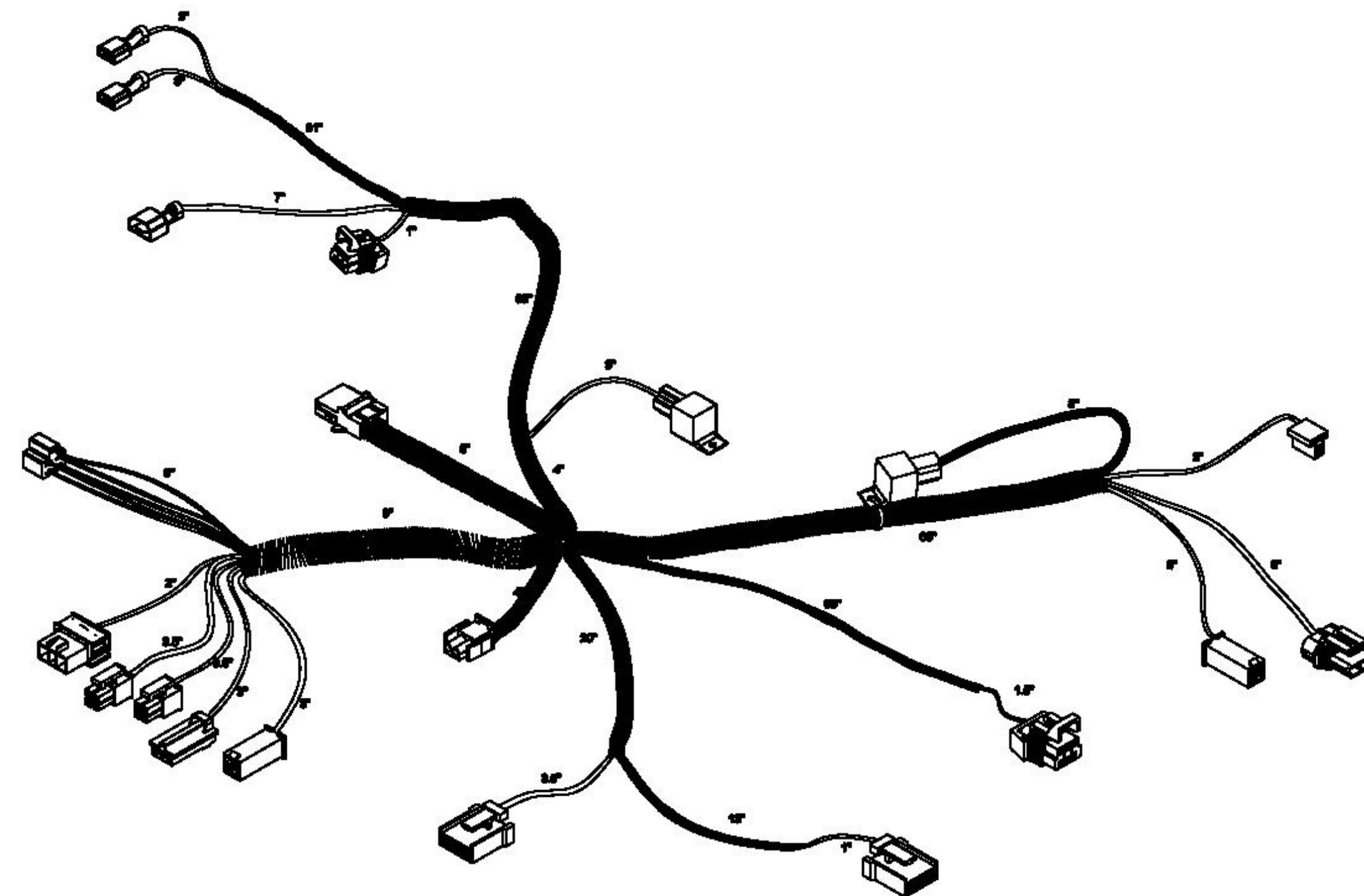
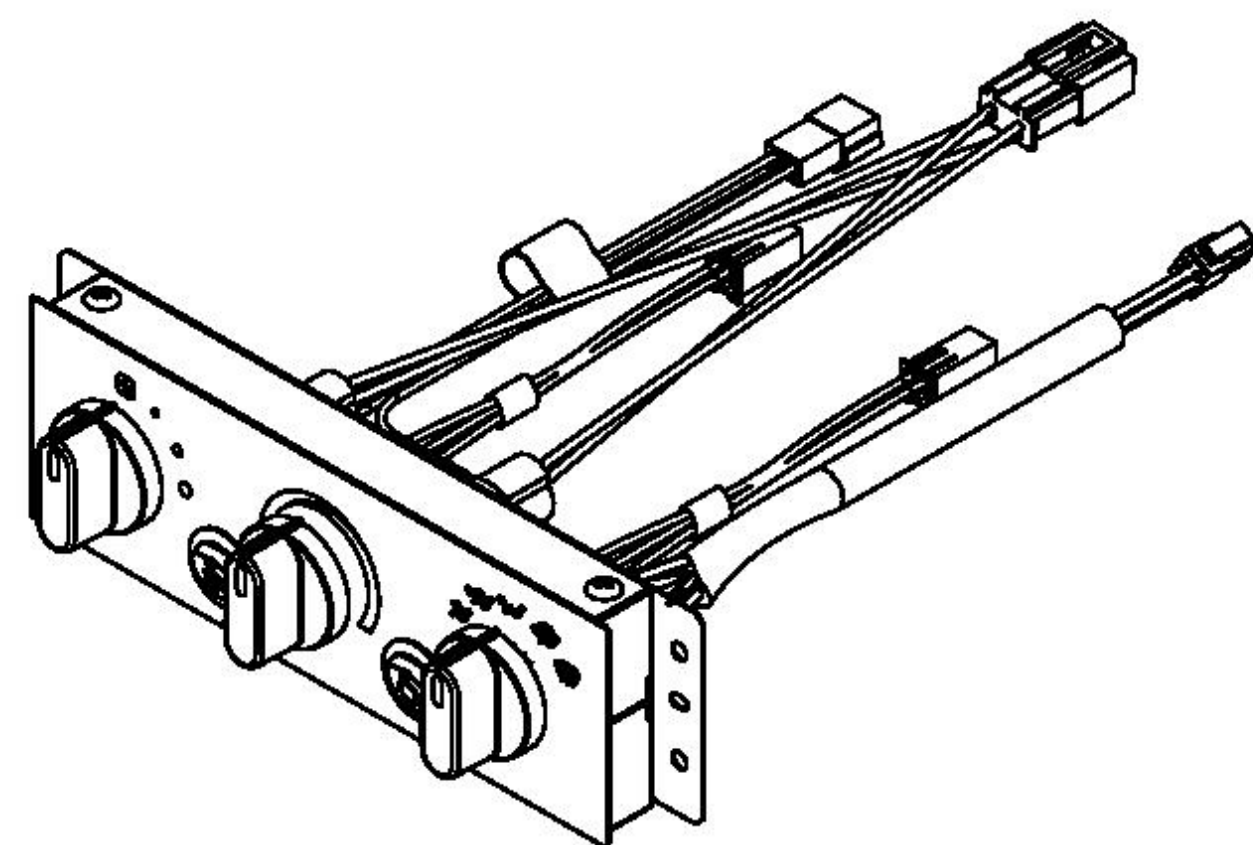


DWG. NO.
70-08472

SCALE: NTS

REV

SHEET 1 OF 1



PROPRIETARY AND CONFIDENTIAL
THE INFORMATION CONTAINED IN THIS DRAWING IS THE SOLE PROPERTY OF VICTORY CLIMATE SYSTEMS, LLC. ANY REPRODUCTION IN PART OR AS A WHOLE WITHOUT THE WRITTEN PERMISSION OF VICTORY CLIMATE SYSTEM, LLC IS PROHIBITED.

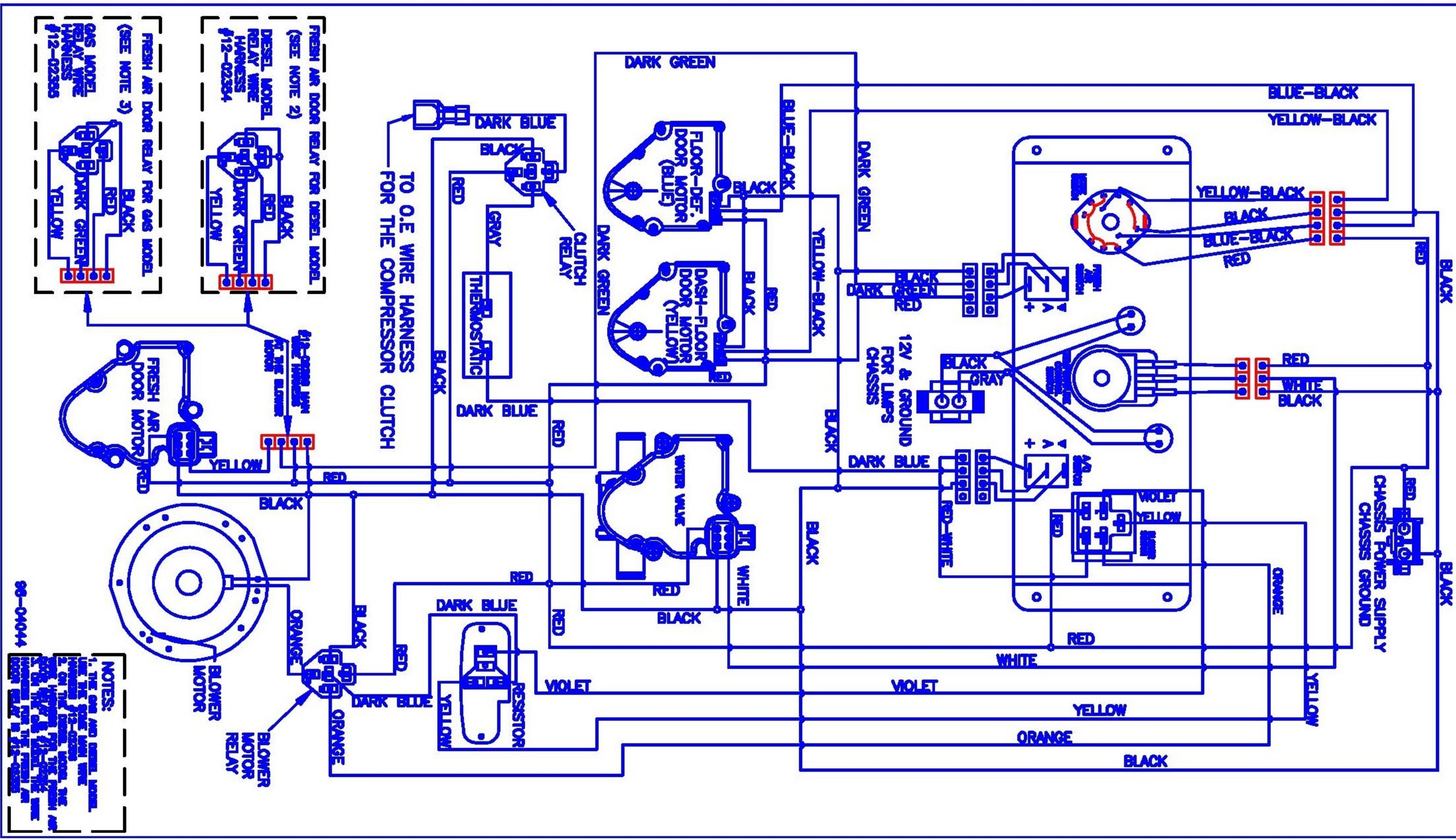
RELEASED FOR QUOTATION	UNLESS OTHERWISE SPECIFIED: DIMENSIONS ARE IN INCH (REF) DO NOT SCALE DRAWING TOLERANCES (H): DECIMAL: ANGULAR: X .3 2° XX .03 XXX .010	THIRD ANGLE PROJECTION		Victory Climate Systems, LLC Fort Worth, Texas 76140 victoryclimatesystems.com	
DATE		APPROVALS	DATE	TITLE: CONTROL PANEL 311432-01-00	
NAME	INTERPRET GEOMETRIC TOL PER: ASME Y14.5-1982	<i>GO</i>	3/18/16	DWG. NO. 70-08472	REV
RELEASED FOR PRODUCTION	MATERIAL n/a	CHECKED	3/18/16	SCALE: NTS	SHEET 1 OF 1
DATE	FINISH n/a	<i>RT</i>			
NAME	FILE SAVE NAME: 311432-01-00 (70-08472) OUTLINE CONTROL PANEL ASSY SM				

NOTES:
1. THIS COMPONENT WILL BE USED IN A MOTOR VEHICLE.

WINNEBAGO
COPYRIGHT 2016 WINNEBAGO INDUSTRIES, INC.

DSNR:	ALL DIMENSIONS ARE IN MILLIMETERS	
DIFFR:		
UNSPECIFIED TOLERANCES:	MATERIAL:	
WHOLE DIM (X) :		
ONE-PLACE (X.X) :		
TWO-PLACE (X.XX) :		
ANGLE :		
REFER TO ES0018 FOR FASTENER TIGHTENING GUIDELINES	WEIGHT: (LBS)	FIRST USED: 16 A-SER
DESCRIPTION: PANEL-CONTROL, HORZ W/HARN - GAS/DIESEL		
SHEET: 1 OF 2	ITEM/PART NO: 000012213 / 31143201000	REV
REF:	1	08-Aug-2019

WINNEBAGO WIRING DIAGRAM FOR GAS AND DIESEL MODEL



NOTES:

1. THE GAS AND DIESEL MODEL, USE THE SAME WIRE HARNESS #12-02354.
2. ON THE DIESEL MODEL, THE GAS HARNESS FOR THE FRESH AIR DOOR RELAY IS #12-02355.
3. ON THE GAS MODEL, THE DIESEL HARNESS FOR THE FRESH AIR DOOR RELAY IS #12-02354.

98-04044