

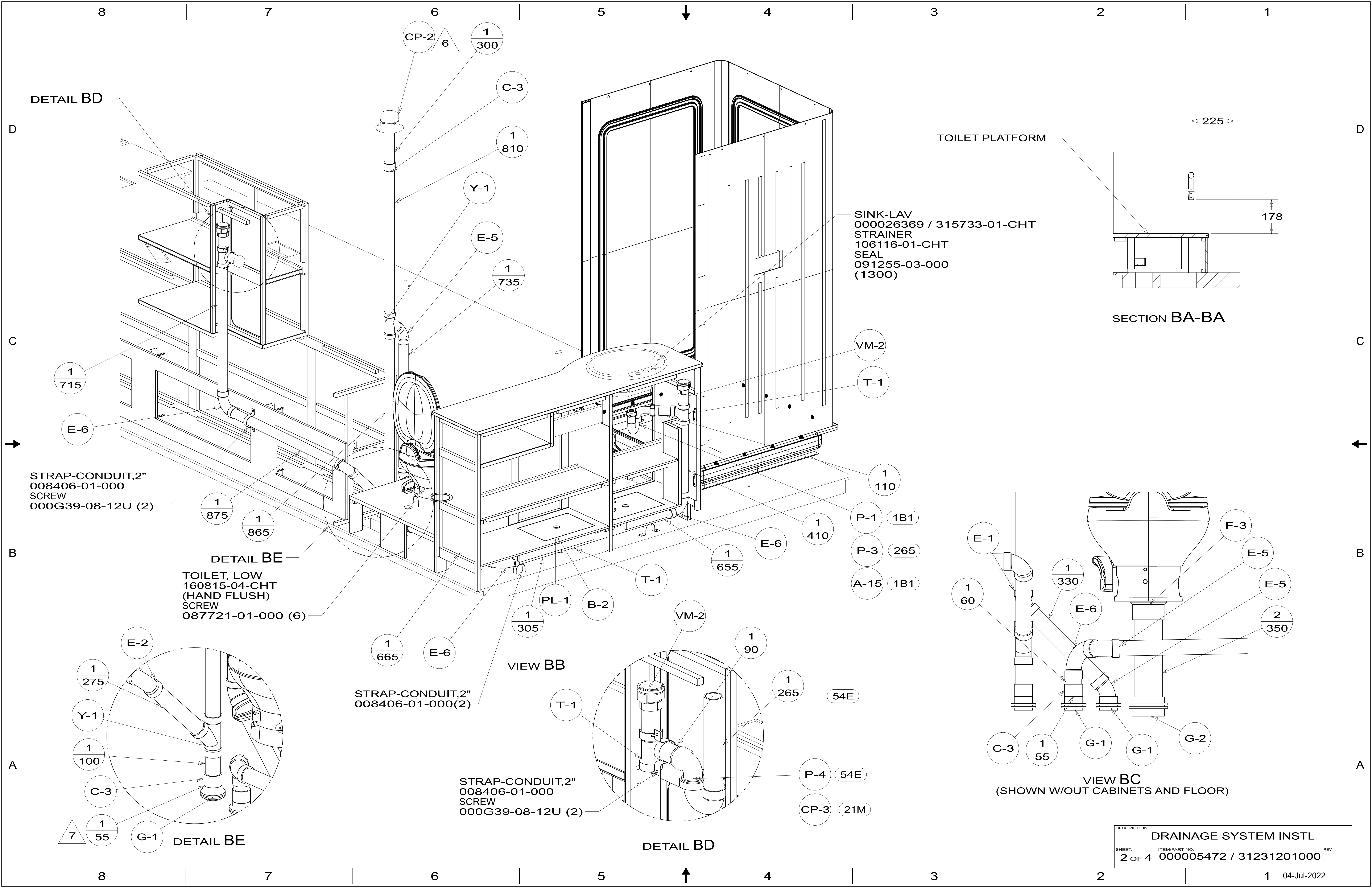
- NOTES:**
- 10. USE TEFLON TAPE 010405-01-000 FOR PUMP TO A-12 CONNECTION.
 - 9. SEE DRAWING 061607 FOR INSTALLATION OF GROMMETS.
 - 8. SECURE DRAINAGE PIPES TO CABINET USING WIRE TIE 108046-02-000, AND SCREW 000G67-10-12U AT INTERVALS OF NOT OF NOT MORE THAN 4 FEET APART.
 - 7. SECURE VENT PIPE TO TANK WITH CLAMP 000156237 / 326663-02-000.
 - 6. VENT PIPE MUST PROJECT 51 MIN AND 64 MAX ABOVE ROOF FOR PROPER FIT AND FUNCTION. ADD S-1 (000156099 / 326607-01-CHT SEAL-VENT PIPE) AROUND PIPE ON ROOF BEFORE VENT CAP IS INSTALLED.
 - 5. SEAL AROUND SHOWER WITH SILICONE.
 - 4. USE SMOOTH PLUMBERS PUTTY 167459-01-000 TO SEAL STRAINER (0.2 PER STRAINER).
 - 3. ALL PIPE AND FITTINGS TO BE ASSEMBLED WITH SOLVENT 004020-01-000 (USA), 004020-02-000 (CAN)
 - 2. SLOPE OF TRAP ARM MUST BE 6 PER 305 mm.
 - 1. SLOPE OF HORIZONTAL PIPING TO BE MINIMUM OF 3 PER 305 mm.

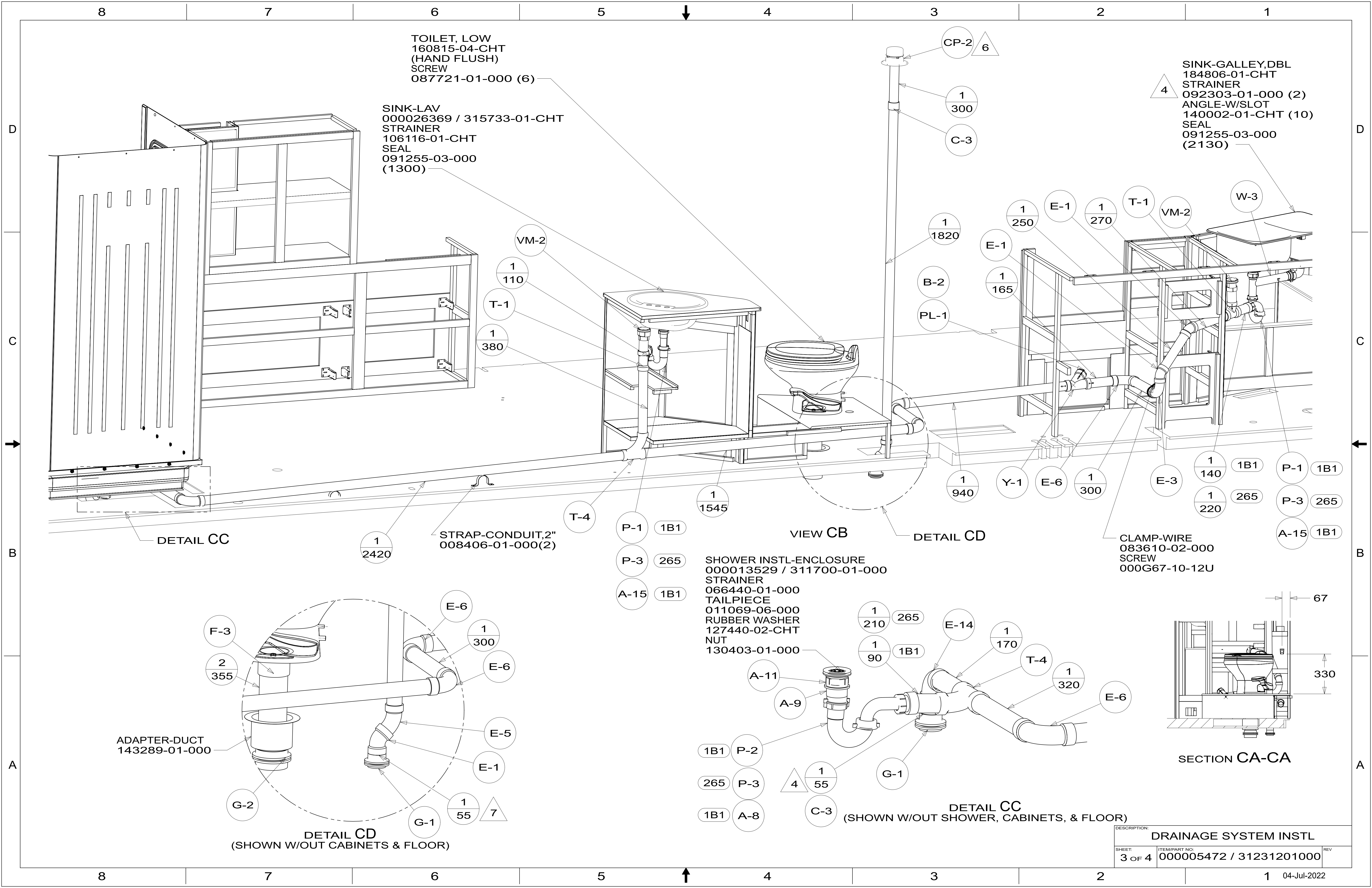
- 21M WASHER/DRYER PREP
- 54E WASHER/DRYER COMBO
- 265 CODES/STDS-CSA/CMVSS
- 1B1 CODES/STANDARDS-USA

X-X
FOR
DRAINAGE
CALLOUTS
SEE DWG NO.
000211962 /
303370-01-000

WINNEBAGO
COPYRIGHT 2022 WINNEBAGO INDUSTRIES, INC.

DSNR:		ALL DIMENSIONS ARE IN MILLIMETERS	
DIFTR:			
UNSPECIFIED TOLERANCES:	MATERIAL:		
WHOLE DIM (X) :	3		
ONE-PLACE (X.X) :	1.5		
TWO-PLACE (X.XX) :	0.50		
ANGLE :	1°		
REFER TO ES0018 FOR FASTENER TIGHTENING GUIDELINES		WEIGHT: (LBS)	FIRST USED: (REF)
			17 E35F
DESCRIPTION:			
DRAINAGE SYSTEM INSTL			
SHEET:	ITEM/PART NO.:	REV	
1 OF 4	000005472 / 31231201000		





TOILET, LOW
160815-04-CHT
(HAND FLUSH)
SCREW
087721-01-000 (6)

SINK-LAV
000026369 / 315733-01-CHT
STRAINER
106116-01-CHT
SEAL
091255-03-000
(1300)

SINK-GALLEY, DBL
184806-01-CHT
STRAINER
092303-01-000 (2)
ANGLE-W/SLOT
140002-01-CHT (10)
SEAL
091255-03-000
(2130)

SHOWER INSTL-ENCLOSURE
000013529 / 311700-01-000
STRAINER
066440-01-000
TAILPIECE
011069-06-000
RUBBER WASHER
127440-02-CHT
NUT
130403-01-000

ADAPTER-DUCT
143289-01-000

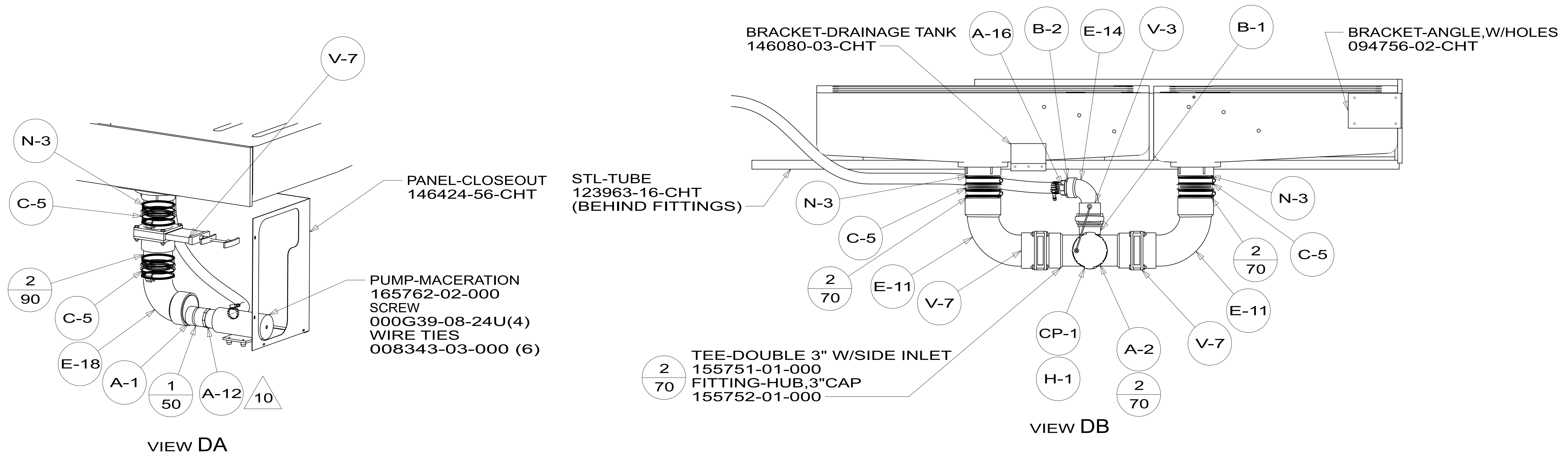
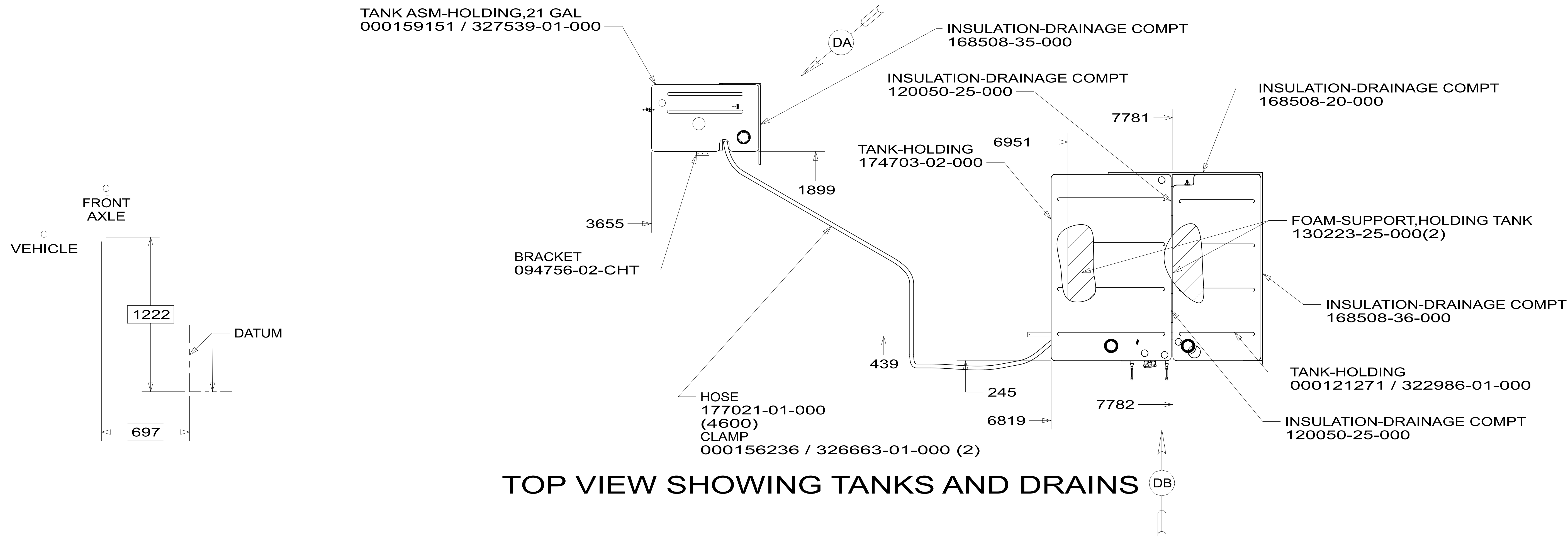
CLAMP-WIRE
083610-02-000
SCREW
000G67-10-12U

DETAIL CD
(SHOWN W/OUT CABINETS & FLOOR)

DETAIL CC
(SHOWN W/OUT SHOWER, CABINETS, & FLOOR)

DESCRIPTION: DRAINAGE SYSTEM INSTL		
SHEET: 3 OF 4	ITEM/PART NO.: 000005472 / 31231201000	REV

04-Jul-2022



DESCRIPTION: DRAINAGE SYSTEM INSTL		
SHEET: 4 OF 4	ITEM/PART NO: 000005472 / 31231201000	REV
		04-Jul-2022