

8

7

6

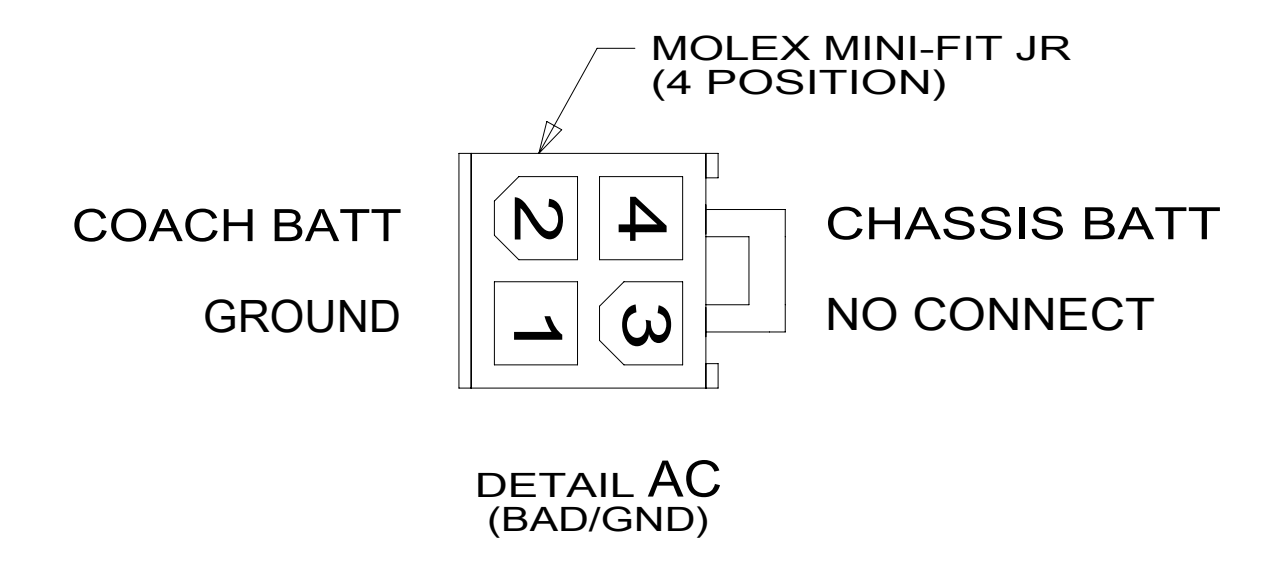
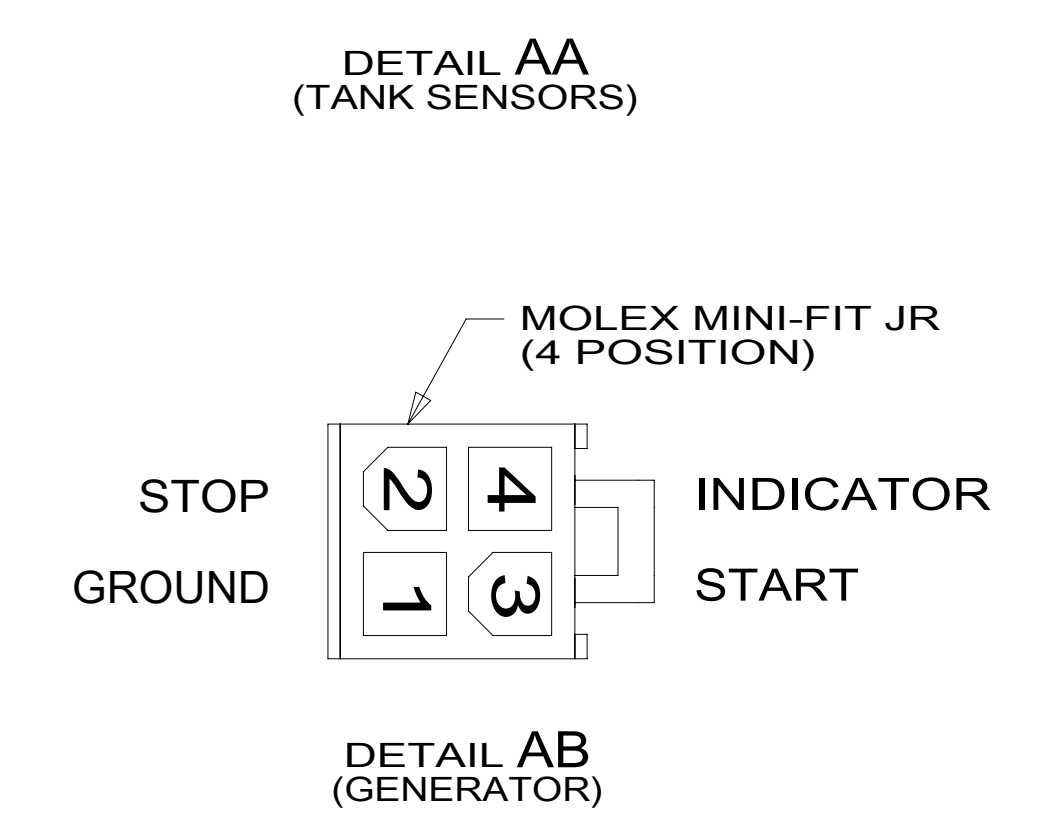
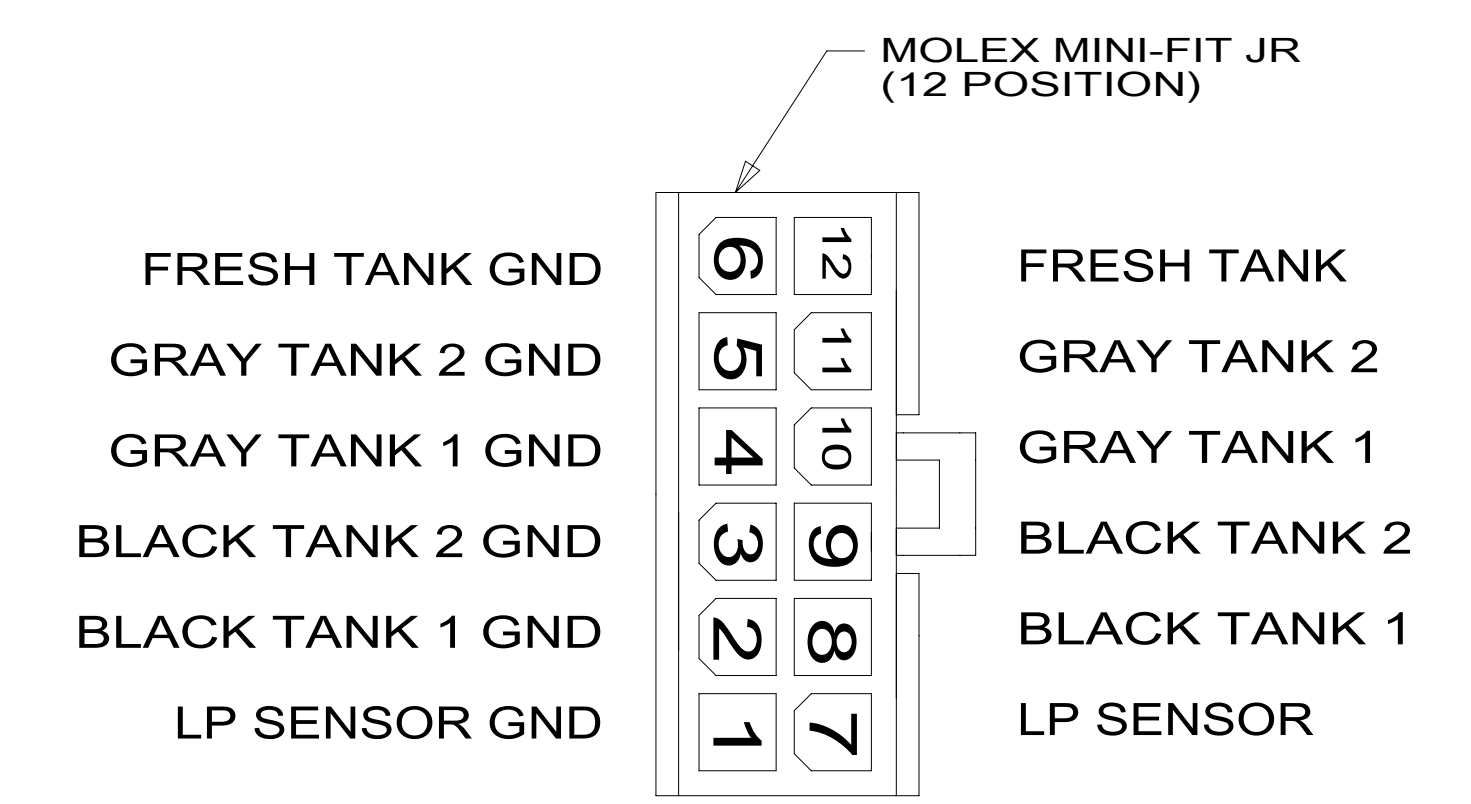
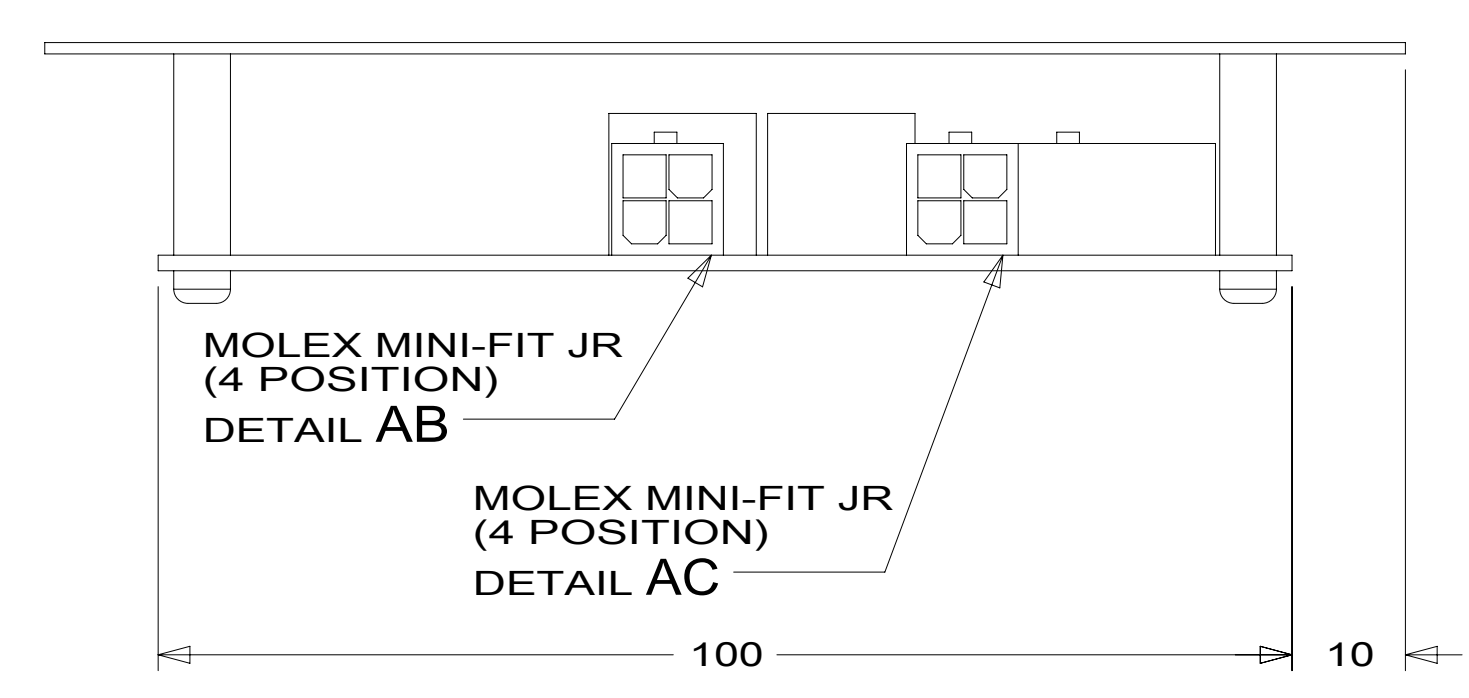
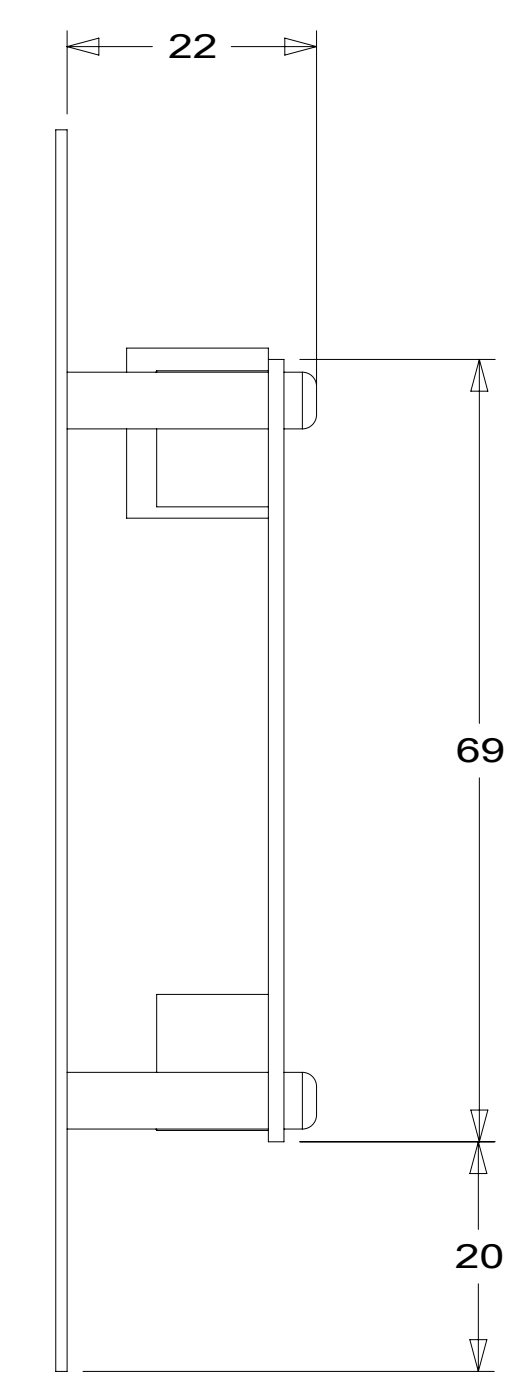
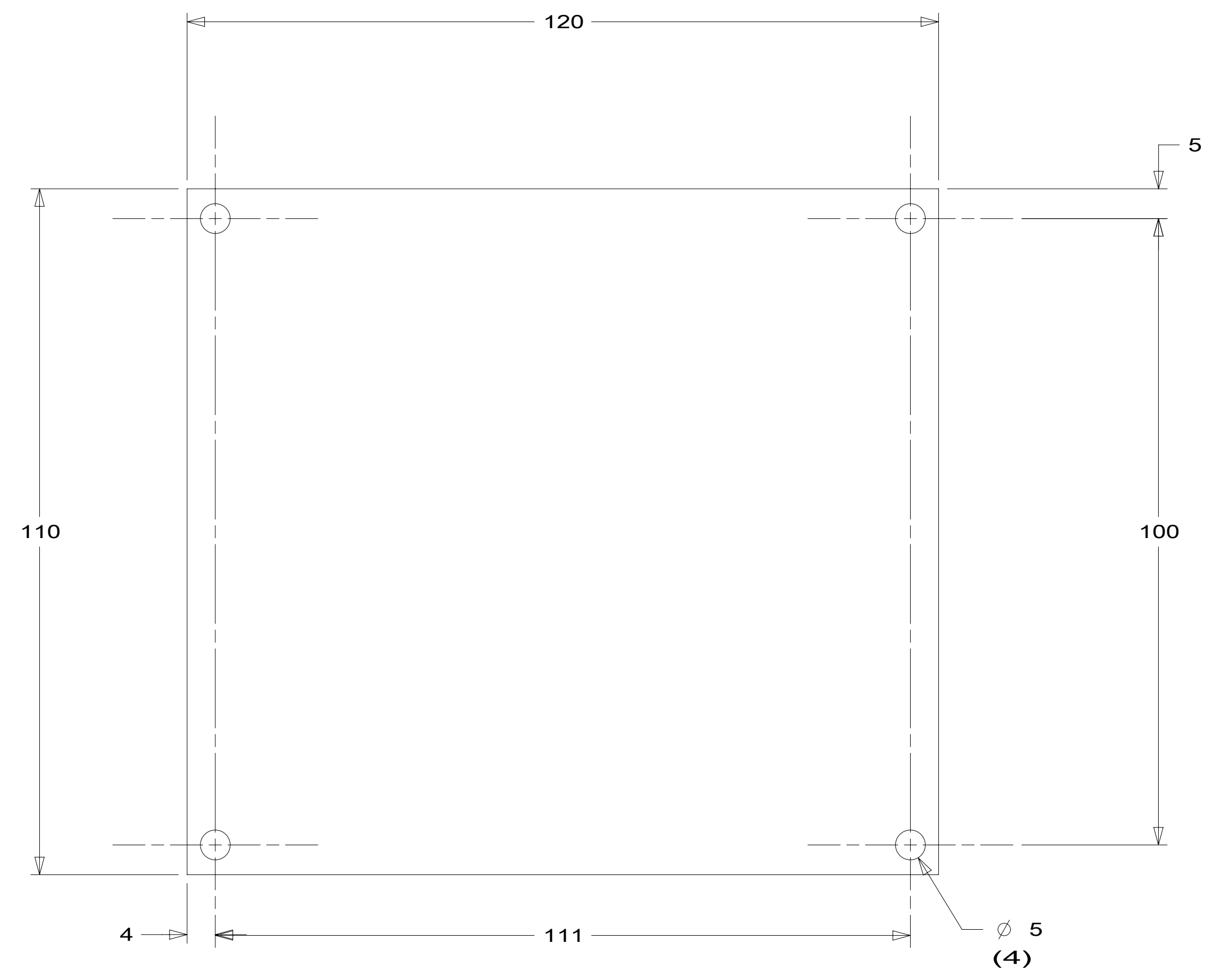
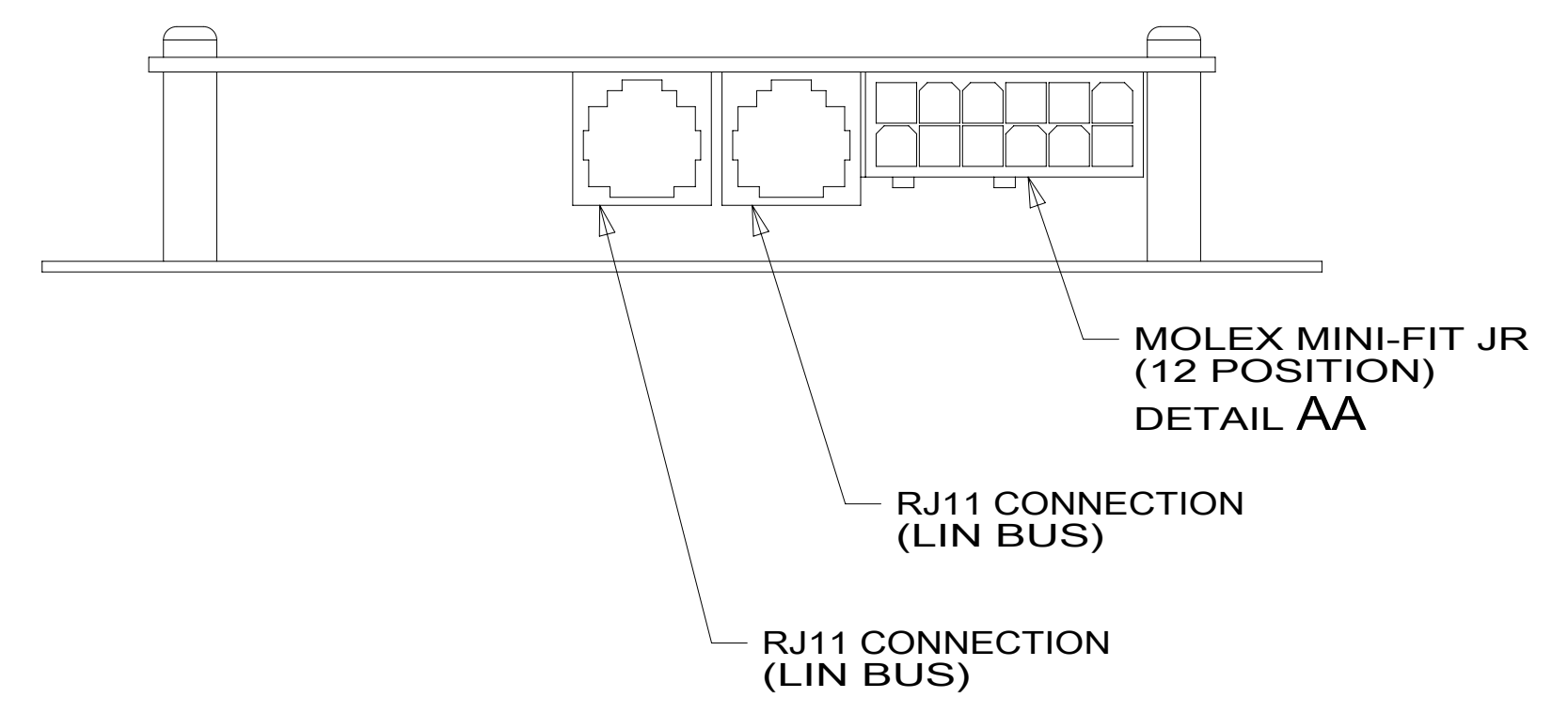
5

4

3

2

1



WINNEBAGO		COPYRIGHT 2014 WINNEBAGO INDUSTRIES, INC.	
DFT-ORIG	ORIG. DATE	ALL DIMENSIONS ARE IN MILLIMETERS	
CHKR		FIRST USED	
P.E.		16 ERA	
M.E.		UNSPECIFIED TOLERANCES ARE:	
DSNR		MATERIAL: WEIGHT: 0.33 LBS	
THIRD ANGLE PROJECTION		DO NOT SCALE DRAWING REFER TO ES0018 FOR FASTENER TIGHTENING GUIDELINES	
TITLE: MODULE-ONE PLACE, LIN BUS			
SHEET 1 OF 1	PART NO 193662	REV	
REF:	1	15-Jul-2015	

NOTES:

1. SUGGESTED VENDOR: PRECISION CIRCUITS INC. ;P/N 00-10051-000.

8

7

6

5

4

3

2

1

193662 A