

DRAWING NO.	MODEL	SHEET
193486-01	170A, 170X	1,2,7
193486-02	170A, 170X	1,3,4,7
193486-03	170C	1,5,7
193486-04	170C	1,6,7

RELEASE	REV/DATE	DWG NO	193486
REV ZONE	REVISION RECORD	DATE	DFT-ORIG

	170X / 170A	170C
CABLE ASM-CHASSIS BATTERY (RED)	192678-02-000	192678-02-000
CABLE ASM-COACH BATTERY (YEL)	141415-59-064	141415-59-048
CABLE ASM-COACH BATTERY (YEL)	141415-59-064	141415-59-025
CABLE ASM-COACH BATTERY GND (BLK)	133566-17-029	133566-17-012
CABLE ASM-GENERATOR (GRN)	141415-42-055	141415-42-055
CABLE ASM-GENERATOR GND (BLK)	133566-17-020	133566-17-020
CABLE ASM-JUMPER,POS	141415-59-022	141415-59-035
CABLE ASM-JUMPER,NEG	133566-12-022	133566-12-035

- 12X 1
- 22W
- 22W
- 22W
- 22W

- 12X BATTERY-ONE
- 22W BATTERY-SECOND
- 265 CODES/STANDARDS-CSA/CMVSS
- 1B1 CODES/STANDARDS USA

**WINNEBAGO** COPYRIGHT 2014 WINNEBAGO INDUSTRIES, INC.

UNSPECIFIED TOLERANCES ARE:  
 WHOLE DIM (X) :  
 ONE-PLACE (X.X) :  
 TWO-PLACE (X.XX) :  
 ANGLE :

THIRD ANGLE PROJECTION

DO NOT SCALE DRAWING REFER TO ES0018 FOR FASTENER TIGHTENING GUIDELINES

TITLE: **BATTERY INSTL**

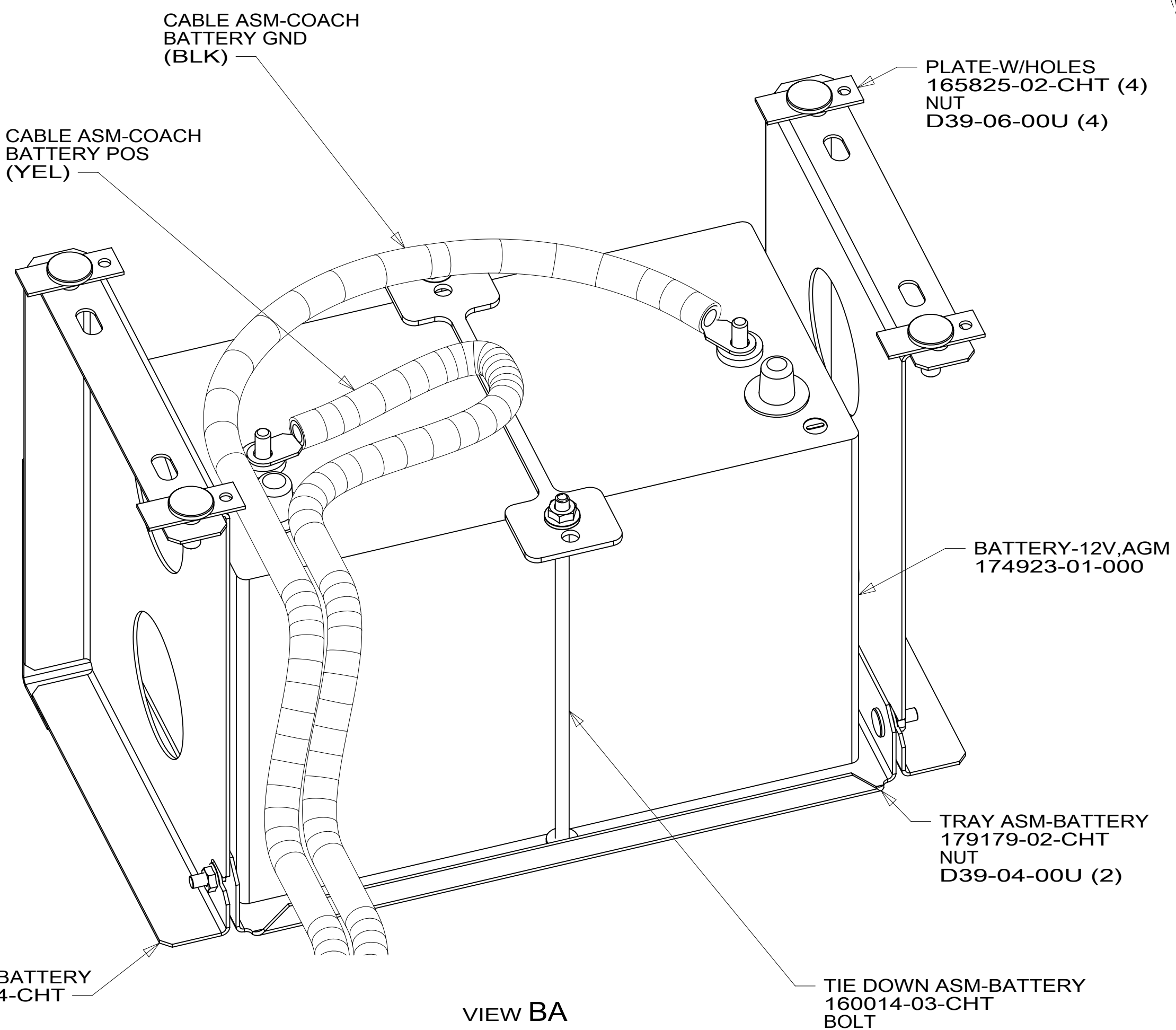
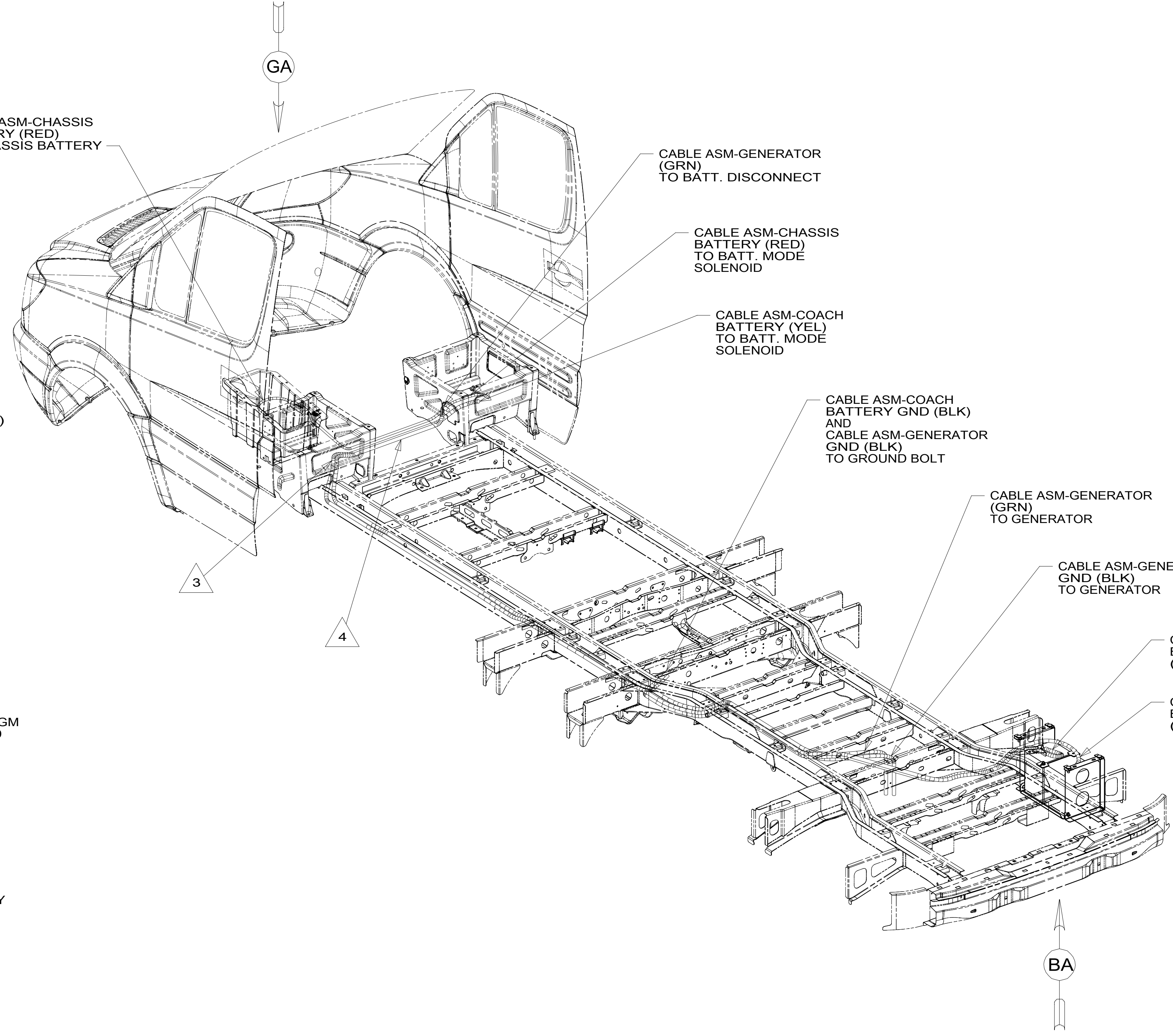
SHEET **1** OF **7** PART NO **193486** REV

NOTES:  
 1 NOT USED WITH 22W .

FOR ELECTRICAL TORQUE SPECIFICATIONS SEE DWG NO. 128783-01-000

FOR ELECTRICAL CALLOUTS SEE DWG NO. 121339-01-000

\*193486\*



BOX ASM-BATTERY 179178-04-CHT

VIEW BA

- 4 CABLES ROUTED THROUGH TROUGH BETWEEN CAB SEATS IN THIS AREA.
- 3 ROUTE CABLES THROUGH GROMMET UNDER DRIVERS SEAT.

2. SEE WIRING INSTL-CHASSIS FOR ADDITIONAL INFORMATION.

1. AT MINIMUM ALL WIRES TO BE SUPPORTED AND SECURED PER CODE REQUIREMENTS. USE CLAMP 10495 OR 10497 OR WIRE TIE 8343 OR 108046 AND SCREW G67-XX-XXX OR G56-XX-XXX AS APPROPRIATE FOR INSTALLATION.

NOTES:

- 12X BATTERY-ONE
- 265 CODES/STANDARDS-CSA/CMVSS
- 1B1 CODES/STANDARDS USA

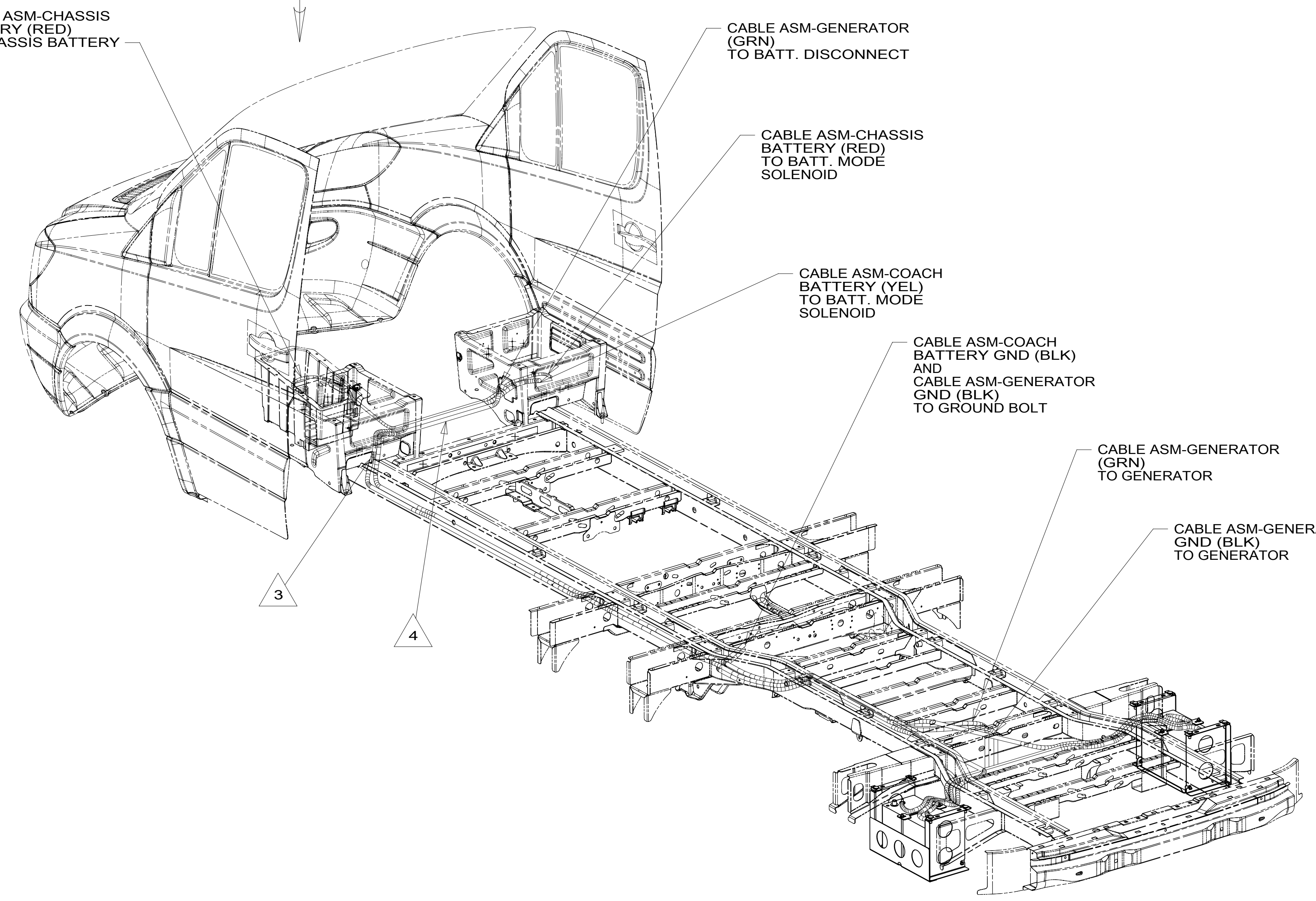
1B1 265 12X

FOR ELECTRICAL TORQUE SPECIFICATIONS SEE DWG NO. 128783-01-000

FOR ELECTRICAL CALLOUTS SEE DWG NO. 121339-01-000

FIRST USED	
<b>16 100-SER</b>	
<b>DO NOT SCALE DRAWING</b>	
TITLE: <b>BATTERY INSTL</b>	
SHEET 2	PART NO <b>193486</b> REV
1 12-Oct-2015	

\*193486\*



- 4 CABLES ROUTED THROUGH TROUGH BETWEEN CAB SEATS IN THIS AREA.
- 3 ROUTE CABLES THROUGH GROMMET UNDER DRIVERS SEAT.
2. SEE WIRING INSTL-CHASSIS FOR ADDITIONAL INFORMATION.
1. AT MINIMUM ALL WIRES TO BE SUPPORTED AND SECURED PER CODE REQUIREMENTS. USE CLAMP 10495 OR 10497 OR WIRE TIE 8343 OR 108046 AND SCREW G67-XX-XXX OR G56-XX-XXX AS APPROPRIATE FOR INSTALLATION.

NOTES:

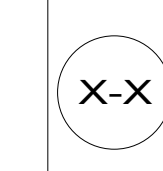
- 22W BATTERY-SECOND
- 265 CODES/STANDARDS-CSA/CMVSS
- 1B1 CODES/STANDARDS USA

1B1 265 22W

FIRST USED	
<b>13 100-SER</b>	
<b>DO NOT SCALE DRAWING</b>	
TITLE: <b>BATTERY INSTL</b>	
SHEET 3	PART NO <b>193486</b> REV

FOR ELECTRICAL TORQUE SPECIFICATIONS SEE DWG NO. 128783-01-000

FOR ELECTRICAL CALLOUTS SEE DWG NO. 121339-01-000



\*193486\*



BOX ASM-BATTERY  
179178-04-CHT  
TRAY ASM-BATTERY  
179179-02-CHT  
NUT  
D39-04-00U (2)

CABLE ASM-COACH BATTERY  
(YEL)(REF)

CABLE ASM-JUMPER,POS  
(YEL)(REF)

CABLE ASM-JUMPER,NEG  
(BLK)(REF)

BATTERY-12V,AGM  
174923-01-000  
TIE DOWN ASM-BATTERY  
160014-03-CHT  
BOLT  
51387-06-000 (2)  
NUT  
D39-05-00U (2)  
WASHER  
184541-01-CHT (2)

PLATE-W/HOLES  
165825-02-CHT (4)  
NUT  
D39-06-00U (4)

BATTERY-12V,AGM  
174923-01-000  
TIE DOWN ASM-BATTERY  
160014-03-CHT  
BOLT  
51387-06-000 (2)  
NUT  
D39-05-00U (2)  
WASHER-RUBBER  
184541-01-CHT (2)

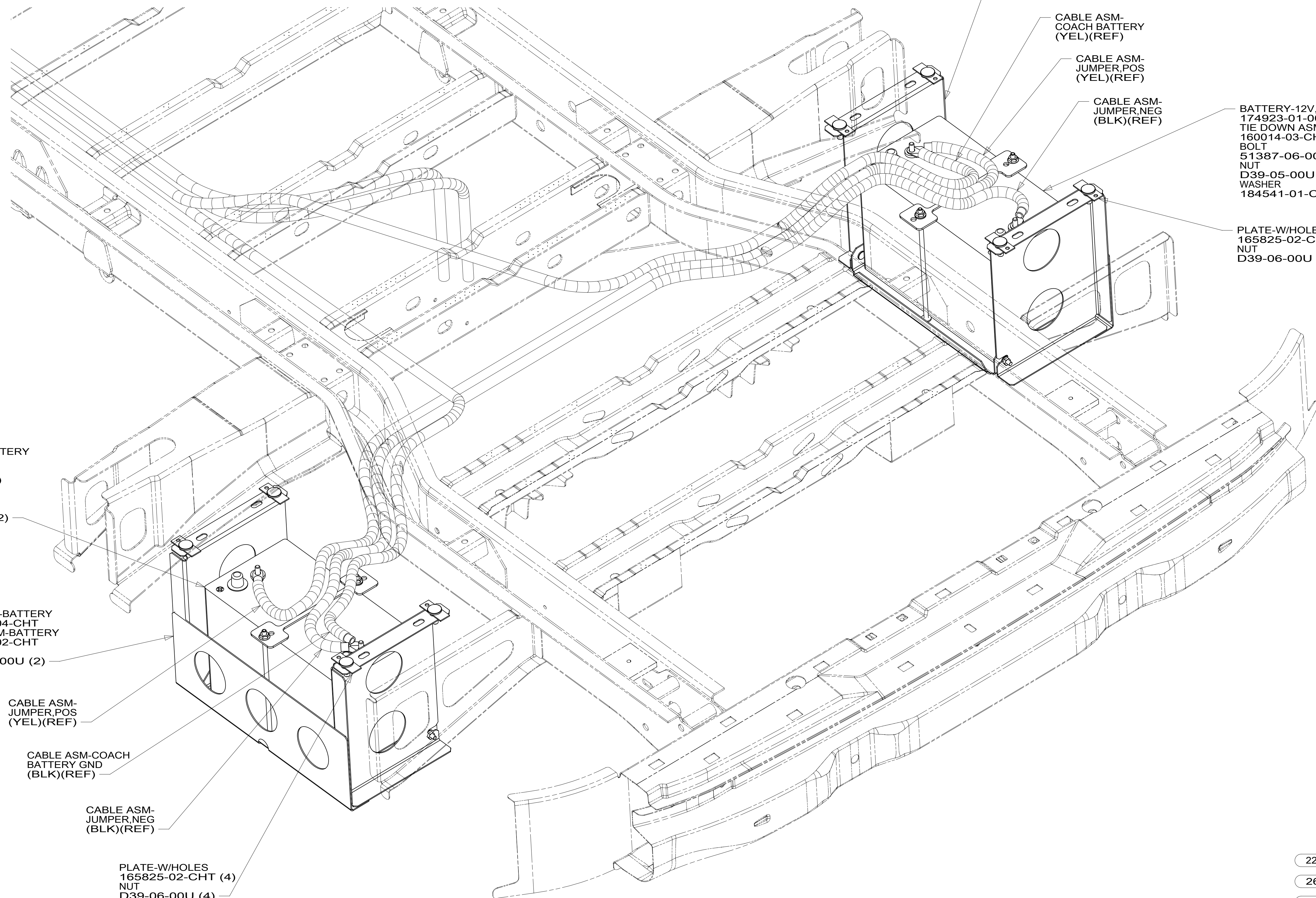
BOX ASM-BATTERY  
179178-04-CHT  
TRAY ASM-BATTERY  
179179-02-CHT  
NUT  
D39-04-00U (2)

CABLE ASM-JUMPER,POS  
(YEL)(REF)

CABLE ASM-COACH BATTERY GND  
(BLK)(REF)

CABLE ASM-JUMPER,NEG  
(BLK)(REF)

PLATE-W/HOLES  
165825-02-CHT (4)  
NUT  
D39-06-00U (4)



VIEW DA

2. SEE WIRING INSTL-CHASSIS FOR ADDITIONAL INFORMATION.

1. AT MINIMUM ALL WIRES TO BE SUPPORTED AND SECURED PER CODE REQUIREMENTS. USE CLAMP 10495 OR 10497 OR WIRE TIE 8343 OR 108046 AND SCREW G67-XX-XXX OR G56-XX-XXX AS APPROPRIATE FOR INSTALLATION.

NOTES:

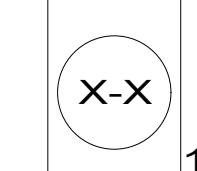
- 22W BATTERY-SECOND
- 265 CODES/STANDARDS-CSA/CMVSS
- 1B1 CODES/STANDARDS USA

1B1 265 22W

FIRST USED	
<b>13 100-SER</b>	
<b>DO NOT SCALE DRAWING</b>	
TITLE: <b>BATTERY INSTL</b>	
SHEET 4	PART NO <b>193486</b> REV

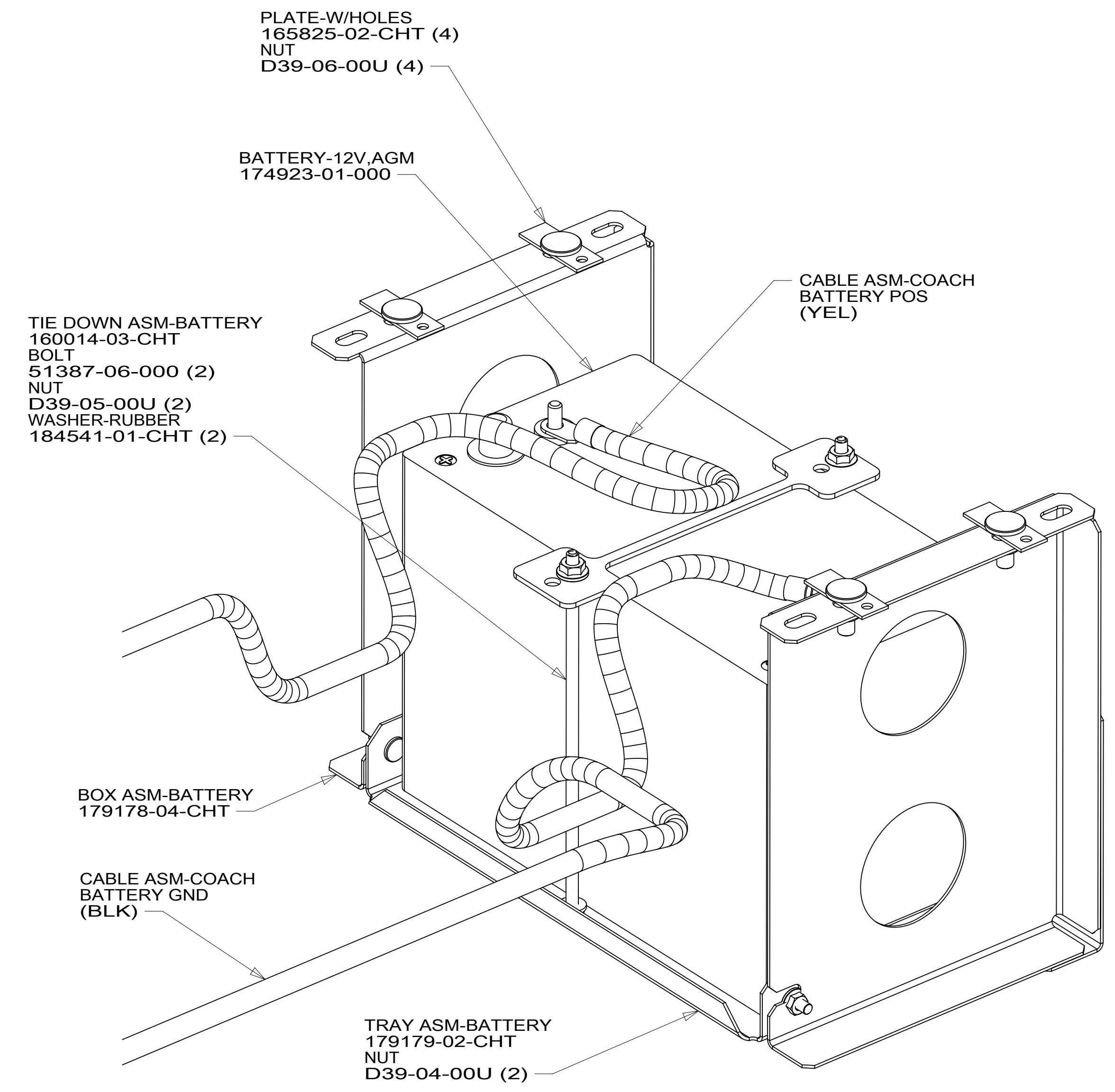
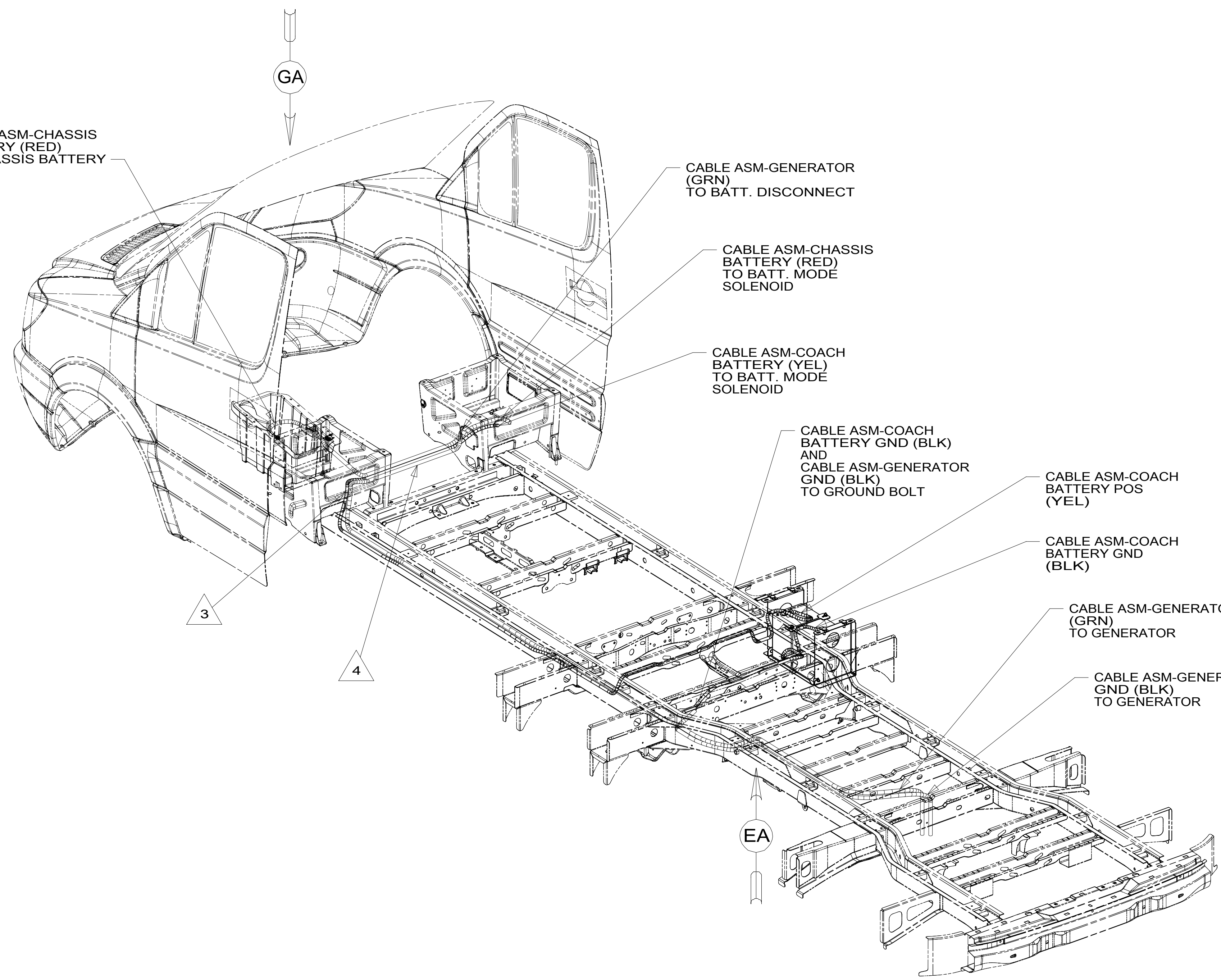
FOR ELECTRICAL TORQUE SPECIFICATIONS SEE DWG NO. 128783-01-000

FOR ELECTRICAL CALLOUTS SEE DWG NO. 121339-01-000



\* 193486 \*





VIEW EA

- 4 CABLES ROUTED THROUGH TROUGH BETWEEN CAB SEATS IN THIS AREA.
- 3 ROUTE CABLES THROUGH GROMMET UNDER DRIVERS SEAT.

2. SEE WIRING INSTL-CHASSIS FOR ADDITIONAL INFORMATION.
1. AT MINIMUM ALL WIRES TO BE SUPPORTED AND SECURED PER CODE REQUIREMENTS. USE CLAMP 10495 OR 10497 OR WIRE TIE 8343 OR 108046 AND SCREW G67-XX-XXX OR G56-XX-XXX AS APPROPRIATE FOR INSTALLATION.

NOTES:

- 12X BATTERY-ONE
- 265 CODES/STANDARDS-CSA/CMVSS
- 1B1 CODES/STANDARDS USA

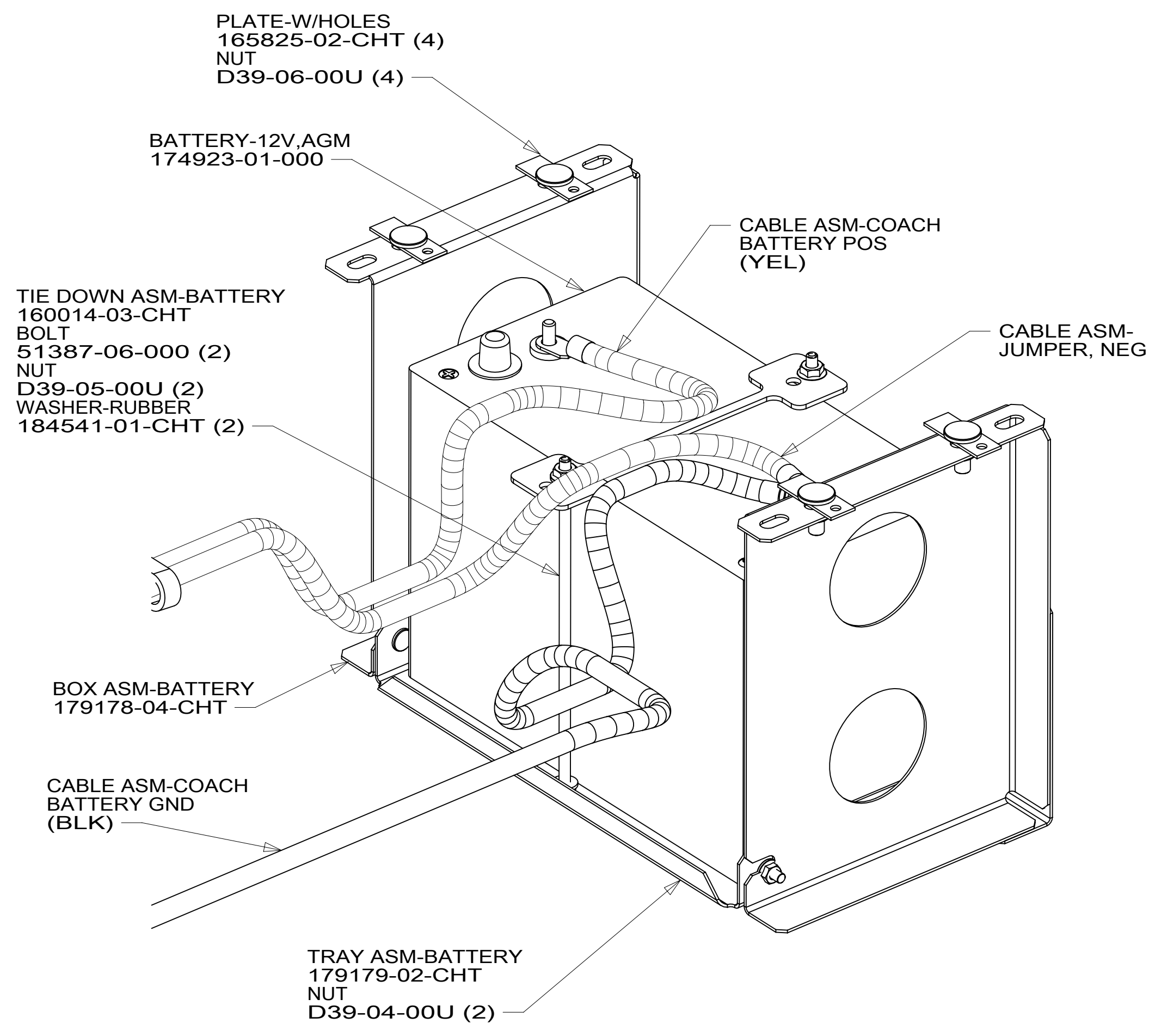
1B1 265 12X

FIRST USED	
<b>16 100-SER</b>	
DO NOT SCALE DRAWING	
TITLE: <b>BATTERY INSTL</b>	
SHEET 5	PART NO <b>193486</b> REV
1 12-Oct-2015	

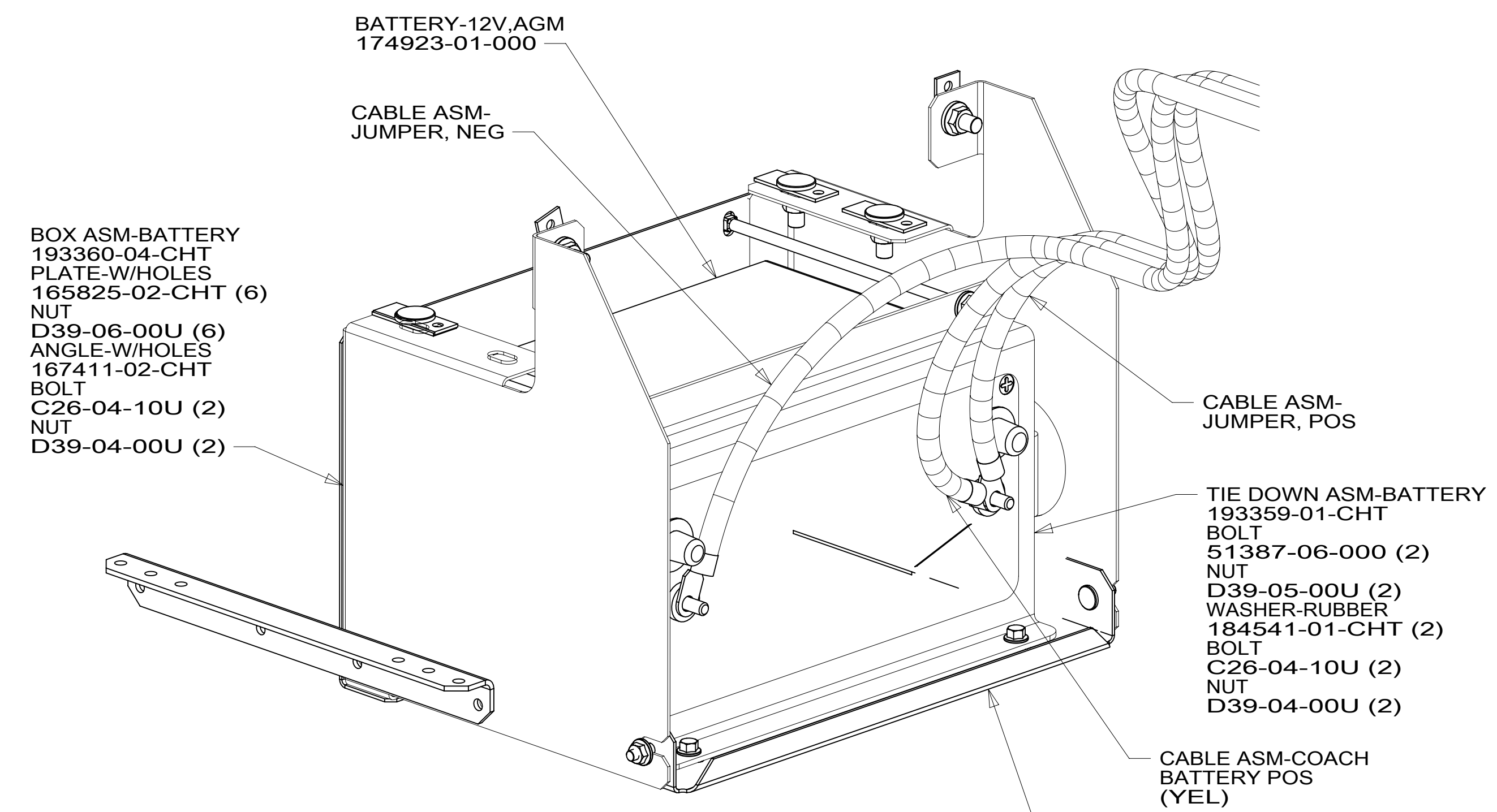
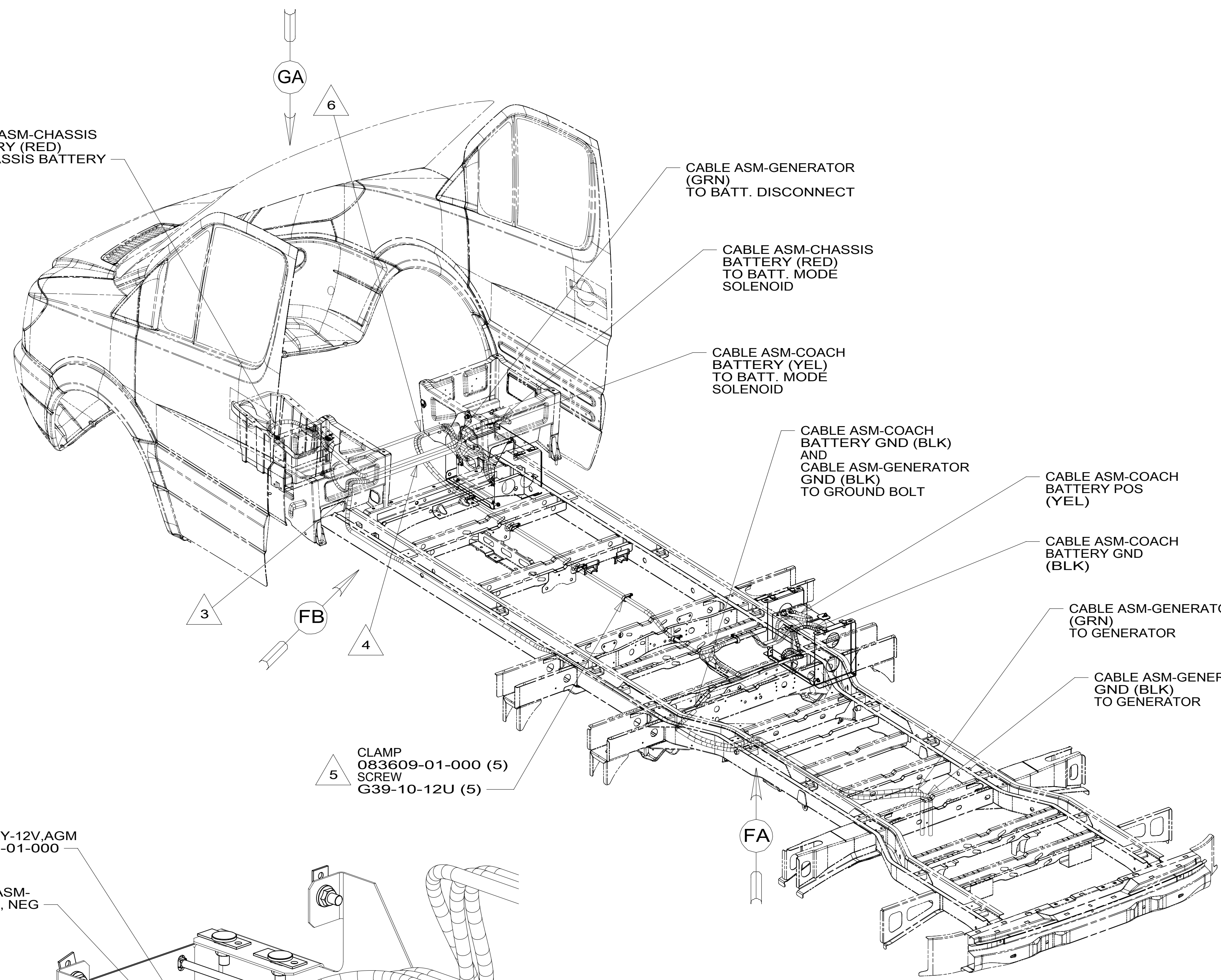
FOR ELECTRICAL TORQUE SPECIFICATIONS SEE DWG NO. 128783-01-000

FOR ELECTRICAL CALLOUTS SEE DWG NO. 121339-01-000

\*193486\*



VIEW FA



VIEW FB

- 6 ROUTE CABLES OVER EXHAUST HEAT SHIELD AND DRIVETRAIN. SECURE CABLES SO THAT THEY DO NOT CONTACT HEAT SHIELD AND DRIVETRAIN.
- 5 USE CLAMPS TO SECURE CABLES TO CROSSMEMBERS. KEEP CABLES CLEAR FROM EXHAUST AND DRIVETRAIN.
- 4 CABLES ROUTED THROUGH TROUGH BETWEEN CAB SEATS IN THIS AREA.
- 3 ROUTE CABLES THROUGH GROMMET UNDER DRIVERS SEAT.
2. SEE WIRING INSTL-CHASSIS FOR ADDITIONAL INFORMATION.
1. AT MINIMUM ALL WIRES TO BE SUPPORTED AND SECURED PER CODE REQUIREMENTS. USE CLAMP 10495 OR 10497 OR WIRE TIE 8343 OR 108046 AND SCREW G67-XX-XXX OR G56-XX-XXX AS APPROPRIATE FOR INSTALLATION.

NOTES:

FOR ELECTRICAL  
TORQUE  
SPECIFICATIONS  
SEE DWG NO.  
128783-01-000

FOR  
ELECTRICAL  
CALLOUTS  
SEE DWG NO.  
121339-01-000

- 22W BATTERY-SECOND
- 265 CODES/STANDARDS-CSA/CMVSS
- 1B1 CODES/STANDARDS USA

1B1	265	22W
FIRST USED		
<b>16 100-SER</b>		
<b>DO NOT SCALE DRAWING</b>		
TITLE: <b>BATTERY INSTL</b>		
SHEET 6	PART NO <b>193486</b>	REV
		1 12-Oct-2015

\*193486\*



NUT  
OMD29K-08-000



CABLE ASM-  
CHASSIS BATTERY

2. SEE WIRING INSTL-CHASSIS FOR ADDITIONAL INFORMATION.

1. AT MINIMUM ALL WIRES TO BE SUPPORTED AND SECURED PER CODE REQUIREMENTS. USE CLAMP 10495 OR 10497 OR WIRE TIE 8343 OR 108046 AND SCREW G67-XX-XXX OR G56-XX-XXX AS APPROPRIATE FOR INSTALLATION.

NOTES:

VIEW GA

FOR ELECTRICAL  
TORQUE  
SPECIFICATIONS  
SEE DWG NO.  
128783-01-000

FOR  
ELECTRICAL  
CALLOUTS  
SEE DWG NO.  
121339-01-000

265 CODES/STANDARDS-CSA/CMVSS

1B1 CODES/STANDARDS USA

1B1 265

FIRST USED	<b>16 100-SER</b>	
DO NOT SCALE DRAWING		
TITLE:	BATTERY INSTL	
SHEET 7	PART NO	193486
	REV	