

DRAWING NO.	MODEL	SHEET
187248-01	524G	1,2
187248-02	524J	1,2
187248-03	524M	1,3
187248-04	524V	1,2

RELEASE	REV/DATE	DWG NO	187248
REV ZONE	REVISION RECORD	DATE	DFT-ORIG

	524M	524J	524G	524V
CABLE ASM-STARTER (RED)	141415-37-013	141415-37-013	141415-37-013	141415-37-013
CABLE ASM-COACH BATTERY (YEL)	141415-52-070	141415-52-043	141415-52-043	141415-52-043
CABLE ASM-COACH BATTERY GND (BLK)	133567-12-012	133567-12-006	133567-12-006	133567-12-006
CABLE ASM-GENERATOR (GRN) (321)	141415-42-077	141415-42-077	141415-42-077	141415-42-077
CABLE ASM-GENERATOR GND (BLK) (321)	133566-12-017	133566-12-017	133566-12-017	133566-12-017
CABLE ASM-GENERATOR (GRN) (33F)	141416-42-070	141416-42-070	141416-42-070	141416-42-070
CABLE ASM-GENERATOR GND (BLK) (33F)	133567-12-011	133567-12-011	133567-12-011	133567-12-011
CABLE ASM-INVERTOR FUSE (ORG) (401)	141415-62-005	141415-62-003	141415-62-003	141415-62-003
CABLE ASM-INVERTOR (ORG) (401)	141415-62-035	141415-62-024	141415-62-024	141415-62-024
CABLE ASM-INVERTOR GND (BLK) (401)	133566-12-009	133566-12-009	133566-12-009	133566-12-009

- (401) INVERTER-DC/AC, 1000 WATT
- (33F) GEN-3.2 KW ONAN DIESEL
- (321) GENERATOR PREP KIT
- (265) CODES/STANDARDS-CSA/CMVSS
- (1B1) CODES/STANDARDS USA

WINNEBAGO COPYRIGHT 2014 WINNEBAGO INDUSTRIES, INC.

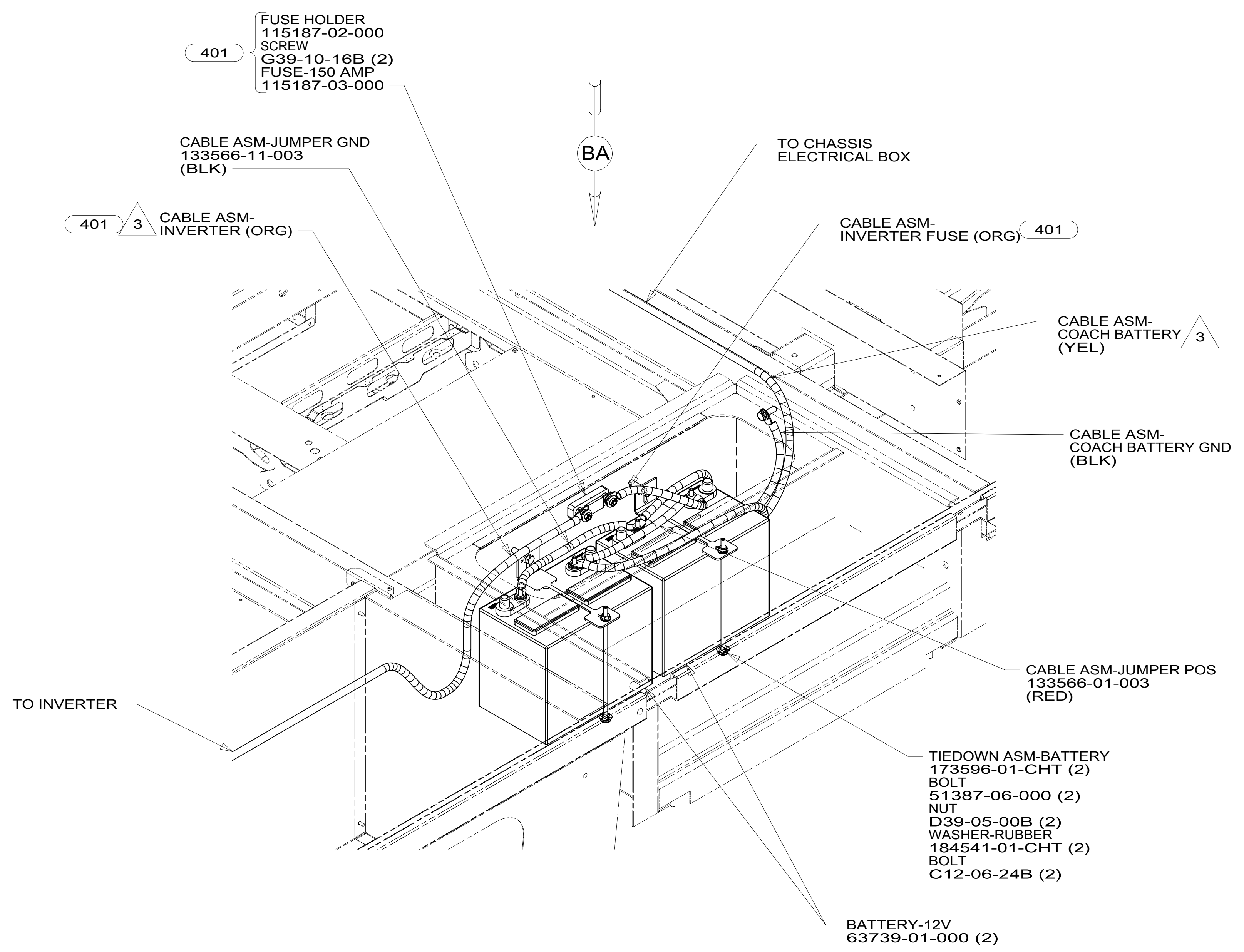
DFT-ORIG	ORIG. DATE
CHKR	ALL DIMENSIONS ARE IN MILLIMETERS
P.E.	
M.E.	FIRST USED
DSNR	15 500-SERIES
UNSPECIFIED TOLERANCES ARE:	MATERIAL:
WHOLE DIM (X) :	
ONE-PLACE (X.X) :	
TWO-PLACE (X.XX) :	
ANGLE :	
THIRD ANGLE PROJECTION	
DO NOT SCALE DRAWING	REFER TO ES0018 FOR FASTENER TIGHTENING GUIDELINES
TITLE: BATTERY INSTL	
SHEET 1 OF 3	PART NO 187248 REV
REF:	1 08-Jul-2015

- NOTES:
- SEE WIRING INSTL-CHASSIS FOR ADDITIONAL INFORMATION FOR ROUTING CABLES.
 - BATTERY CABLES ARE NOT TO BE ROUTED OVER BATTERY FILL CAPS.

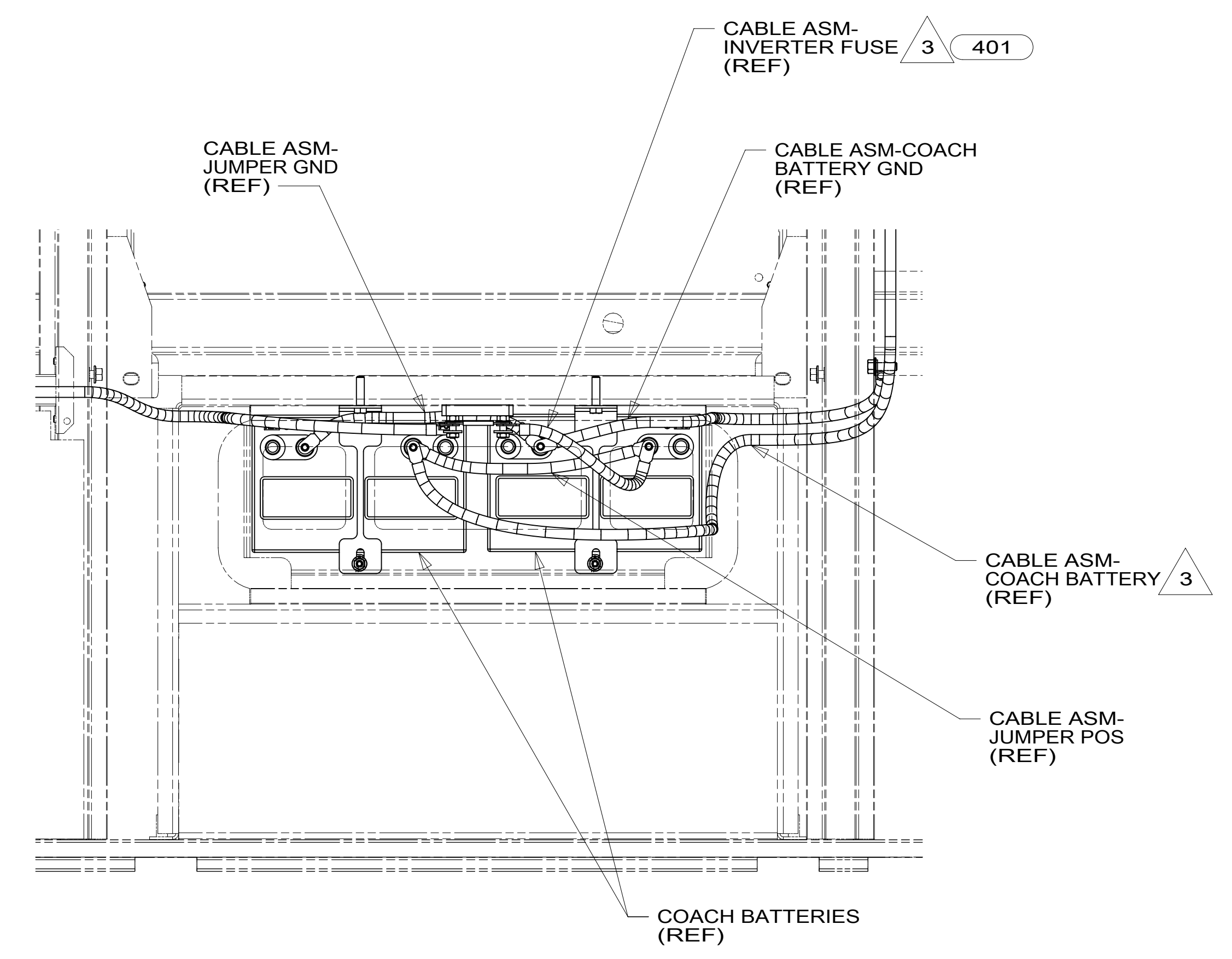
FOR ELECTRICAL TORQUE SPECIFICATIONS SEE DWG NO. 128783-01-000

FOR ELECTRICAL CALLOUTS SEE DWG NO. 121339-01-000

*187248 *A



BATTERY BOX



VIEW BA

- NOTES:
- 3 SEE WIRING INSTL-CHASSIS FOR ROUTING OF CABLE.
 - 2. BATTERY CABLES ARE NOT TO BE ROUTED OVER BATTERY FILL CAPS.
 - 1. CHASSIS FOR ADDITIONAL INFORMATION FOR ROUTING CABLES.

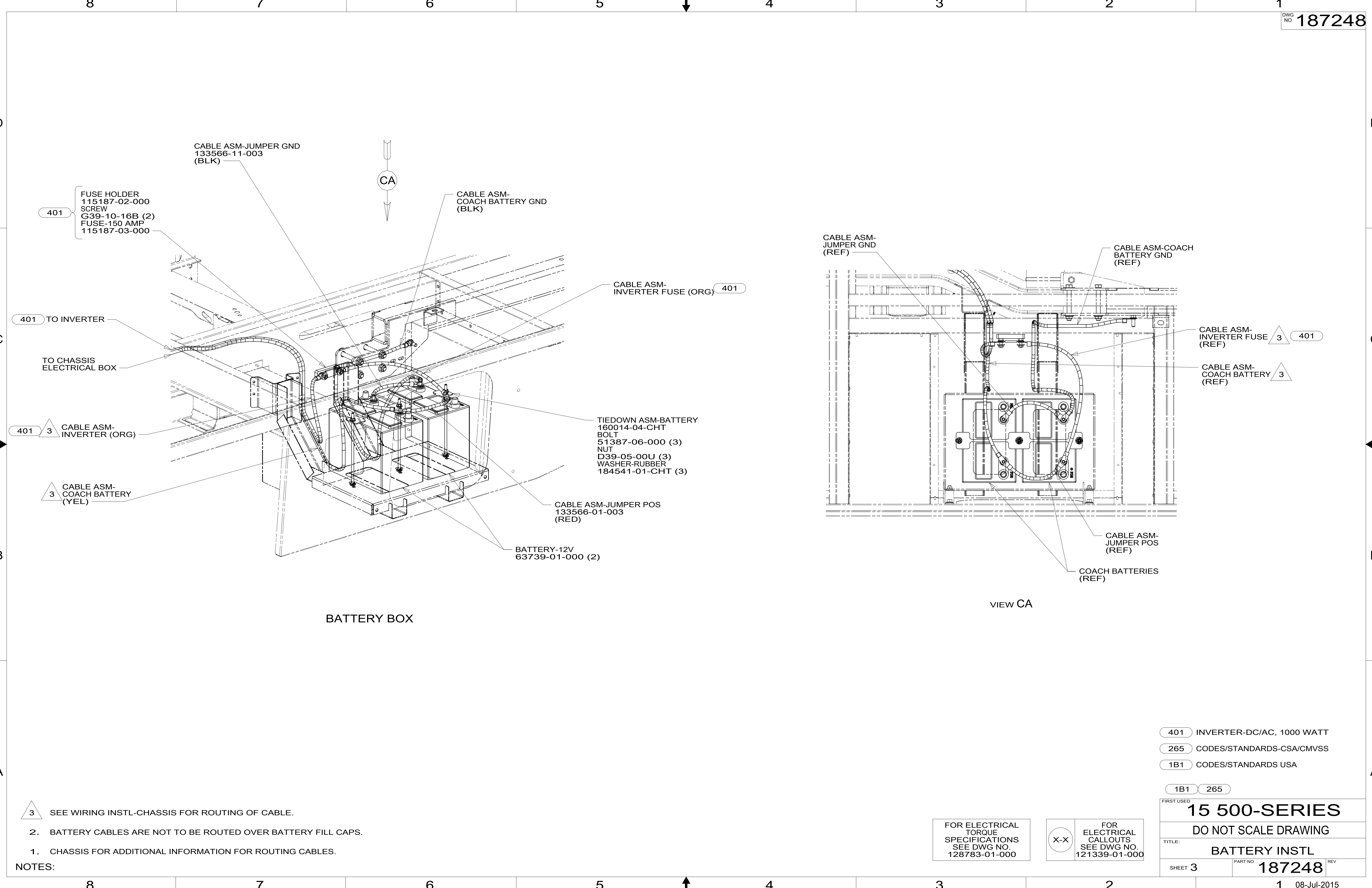
- 401 INVERTER-DC/AC, 1000 WATT
- 265 CODES/STANDARDS-CSA/CMVSS
- 1B1 CODES/STANDARDS USA

1B1	265
FIRST USED	
15 500-SERIES	
DO NOT SCALE DRAWING	
TITLE: BATTERY INSTL	
SHEET 2	PART NO 187248 REV
1 08-Jul-2015	

FOR ELECTRICAL TORQUE SPECIFICATIONS SEE DWG NO. 128783-01-000

FOR ELECTRICAL CALLOUTS SEE DWG NO. 121339-01-000

*187248 *A



BATTERY BOX

VIEW CA

- NOTES:
- 3 SEE WIRING INSTL-CHASSIS FOR ROUTING OF CABLE.
 - 2. BATTERY CABLES ARE NOT TO BE ROUTED OVER BATTERY FILL CAPS.
 - 1. CHASSIS FOR ADDITIONAL INFORMATION FOR ROUTING CABLES.

- 401 INVERTER-DC/AC, 1000 WATT
- 265 CODES/STANDARDS-CSA/CMVSS
- 1B1 CODES/STANDARDS USA

1B1 265

FOR ELECTRICAL TORQUE SPECIFICATIONS SEE DWG NO. 128783-01-000

FOR ELECTRICAL CALLOUTS SEE DWG NO. 121339-01-000

FIRST USED	
15 500-SERIES	
DO NOT SCALE DRAWING	
TITLE: BATTERY INSTL	
SHEET 3	PART NO 187248 REV

187248