

1DF → EXTERIOR TV ASM  
 195120-01-XXX  
 76N → 000025787 / 315433-01-XXX

RIGHT SIDEWALL (REF)

- 76N SATELLITE SYSTEM READY
- 1DF SATELLITE HD TV SYSTEM AUTOC
- 265 CODES/STANDARDS-CSA/CMVSS
- 1B1 CODES/STANDARDS USA

1B1 265



DSNR:	ALL DIMENSIONS ARE IN MILLIMETERS	
DFFR:	MATERIAL:	
UNSPECIFIED TOLERANCES:		
WHOLE DIM (X) :	3	
ONE-PLACE (X.X) :	1.5	
TWO-PLACE (X.XX) :	0.50	
ANGLE :	1°	

REFER TO ES0018 FOR FASTENER TIGHTENING GUIDELINES

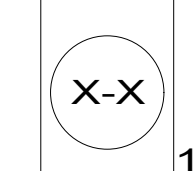
WEIGHT: (LBS) FIRST USED: 16 R45RL

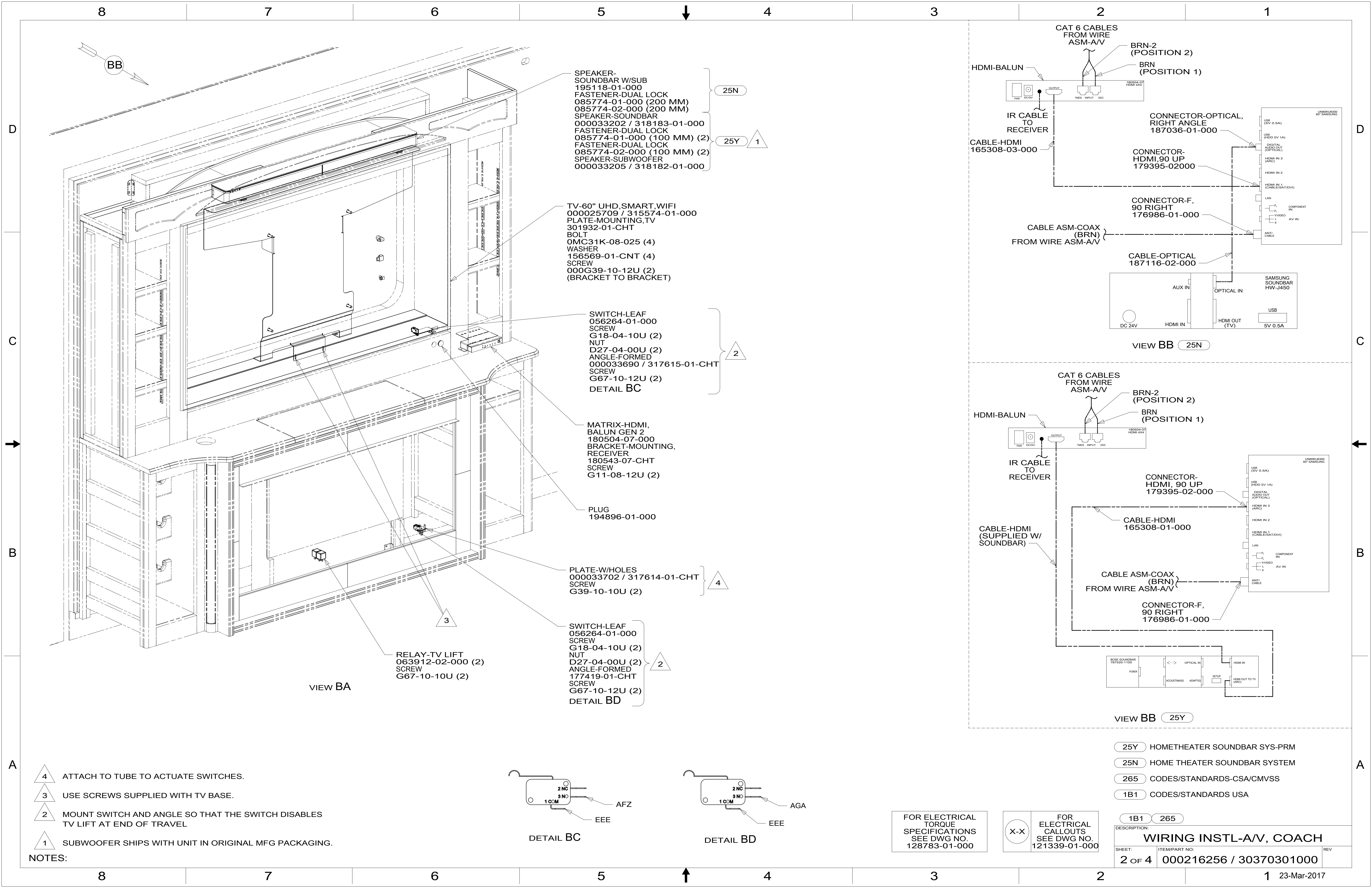
**WIRING INSTL-A/V, COACH**

SHEET: 1 OF 4 ITEM/PART NO: 000216256 / 30370301000 REV

FOR ELECTRICAL TORQUE SPECIFICATIONS SEE DWG NO. 128783-01-000

FOR ELECTRICAL CALLOUTS SEE DWG NO. 121339-01-000





- SPEAKER-SOUNDBAR W/SUB  
195118-01-000
- FASTENER-DUAL LOCK  
085774-01-000 (200 MM)
- 085774-02-000 (200 MM)
- SPEAKER-SOUNDBAR  
000033202 / 318183-01-000
- FASTENER-DUAL LOCK  
085774-01-000 (100 MM) (2)
- FASTENER-DUAL LOCK  
085774-02-000 (100 MM) (2)
- SPEAKER-SUBWOOFER  
000033205 / 318182-01-000

- TV-60" UHD,SMART,WIFI  
000025709 / 315574-01-000
- PLATE-MOUNTING,TV  
301932-01-CHT
- BOLT  
0MC31K-08-025 (4)
- WASHER  
156569-01-CNT (4)
- SCREW  
000G39-10-12U (2)
- (BRACKET TO BRACKET)

- SWITCH-LEAF  
056264-01-000
- SCREW  
G18-04-10U (2)
- NUT  
D27-04-00U (2)
- ANGLE-FORMED  
000033690 / 317615-01-CHT
- SCREW  
G67-10-12U (2)
- DETAIL BC

- MATRIX-HDMI,  
BALUN GEN 2  
180504-07-000
- BRACKET-MOUNTING,  
RECEIVER  
180543-07-CHT
- SCREW  
G11-08-12U (2)

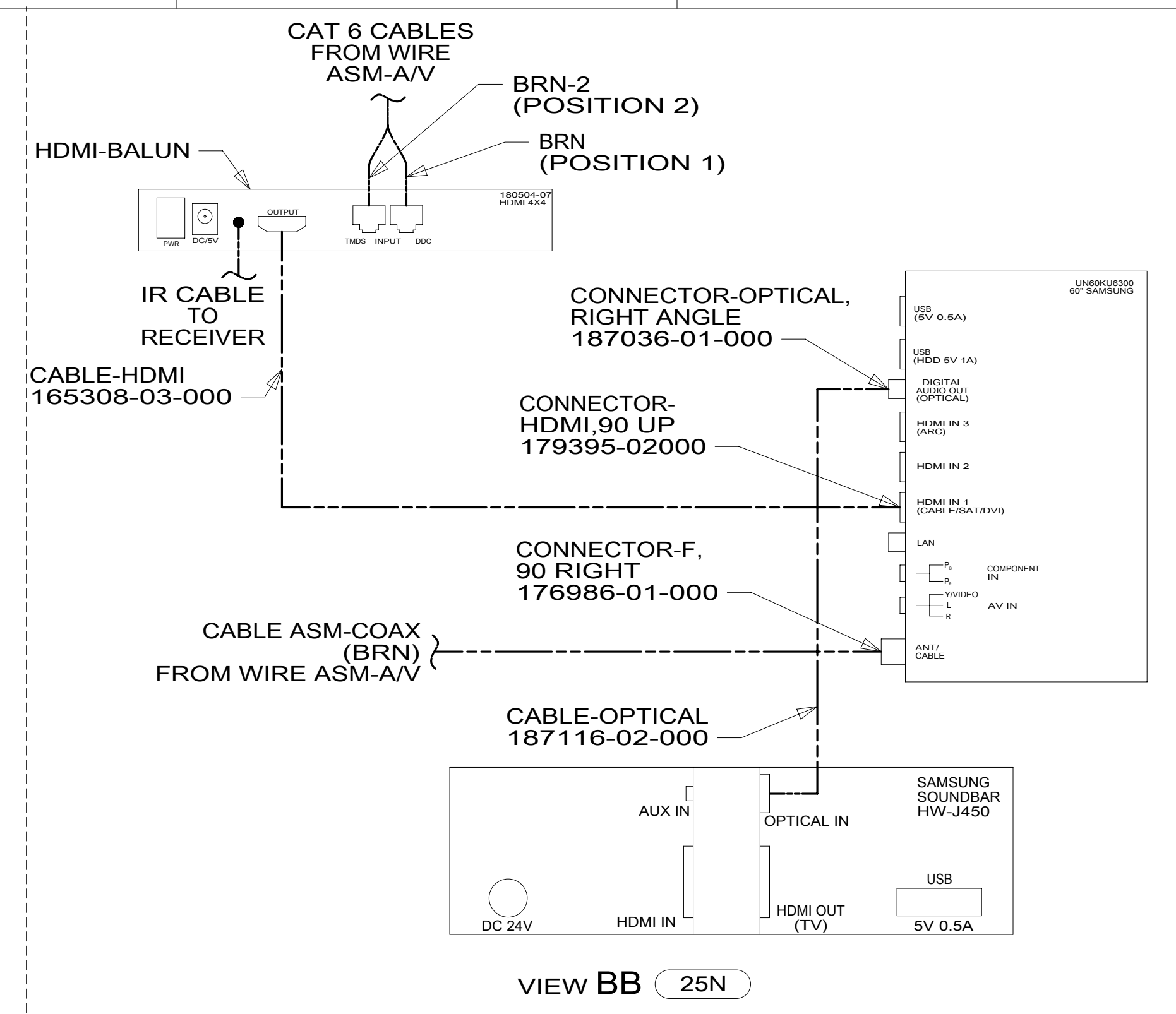
- PLUG  
194896-01-000

- PLATE-W/HOLES  
000033702 / 317614-01-CHT
- SCREW  
G39-10-10U (2)

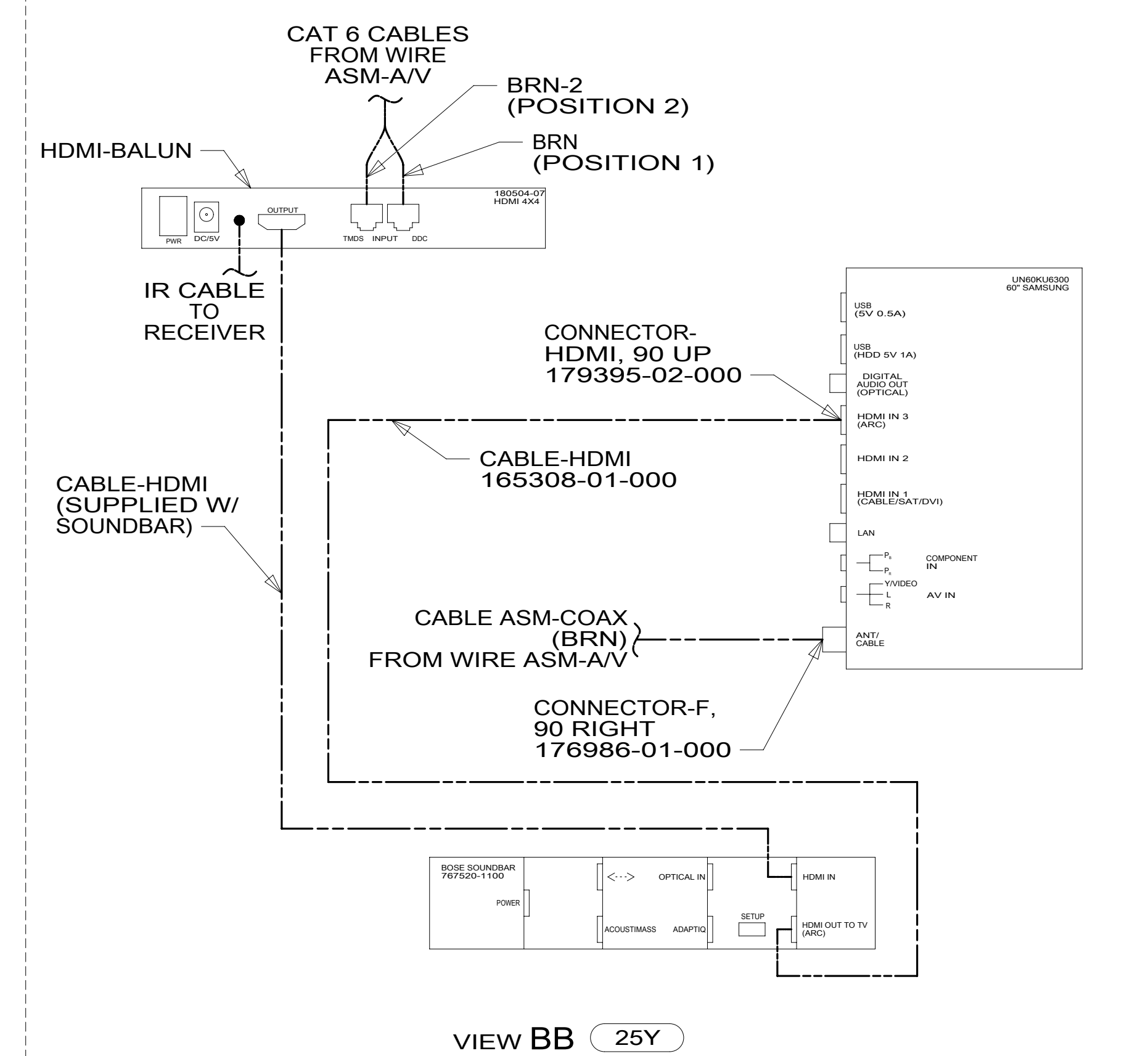
- SWITCH-LEAF  
056264-01-000
- SCREW  
G18-04-10U (2)
- NUT  
D27-04-00U (2)
- ANGLE-FORMED  
177419-01-CHT
- SCREW  
G67-10-12U (2)
- DETAIL BD

- RELAY-TV LIFT  
063912-02-000 (2)
- SCREW  
G67-10-10U (2)

VIEW BA

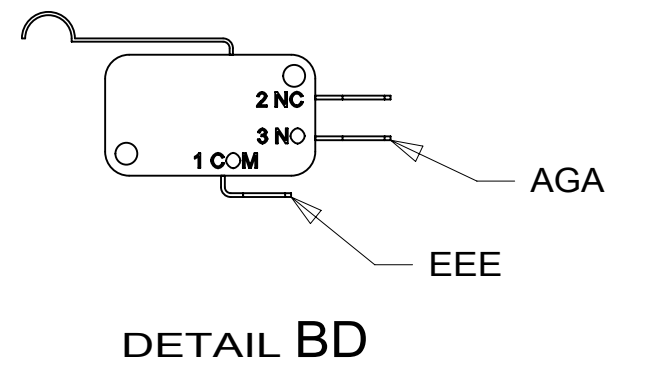
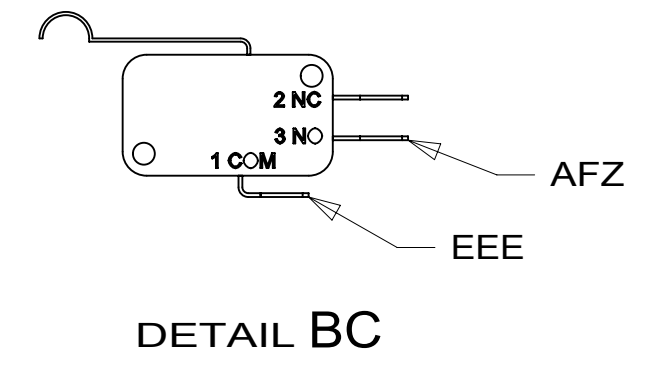


VIEW BB 25N



VIEW BB 25Y

- NOTES:
- 4 ATTACH TO TUBE TO ACTUATE SWITCHES.
  - 3 USE SCREWS SUPPLIED WITH TV BASE.
  - 2 MOUNT SWITCH AND ANGLE SO THAT THE SWITCH DISABLES TV LIFT AT END OF TRAVEL
  - 1 SUBWOOFER SHIPS WITH UNIT IN ORIGINAL MFG PACKAGING.

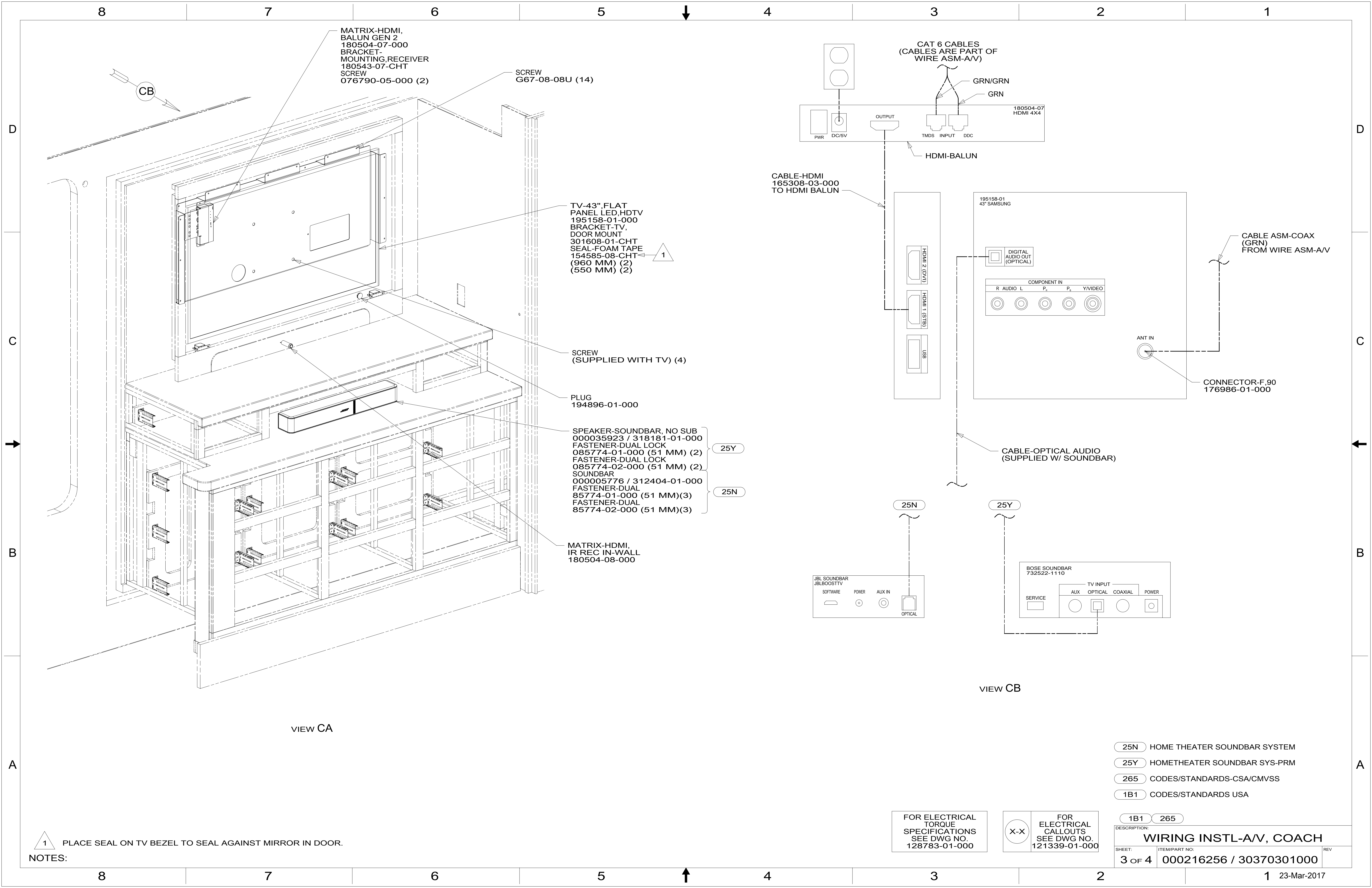


FOR ELECTRICAL TORQUE SPECIFICATIONS SEE DWG NO. 128783-01-000

FOR ELECTRICAL CALLOUTS SEE DWG NO. 121339-01-000

- 25Y HOMETHEATER SOUNDBAR SYS-PRM
- 25N HOME THEATER SOUNDBAR SYSTEM
- 265 CODES/STANDARDS-CSA/CMVSS
- 1B1 CODES/STANDARDS USA

DESCRIPTION:	<b>WIRING INSTL-A/V, COACH</b>	
SHEET:	ITEM/PART NO.:	REV:
2 OF 4	000216256 / 30370301000	
23-Mar-2017		



MATRIX-HDMI, BALUN GEN 2  
180504-07-000  
BRACKET-MOUNTING, RECEIVER  
180543-07-CHT  
SCREW  
076790-05-000 (2)

SCREW  
G67-08-08U (14)

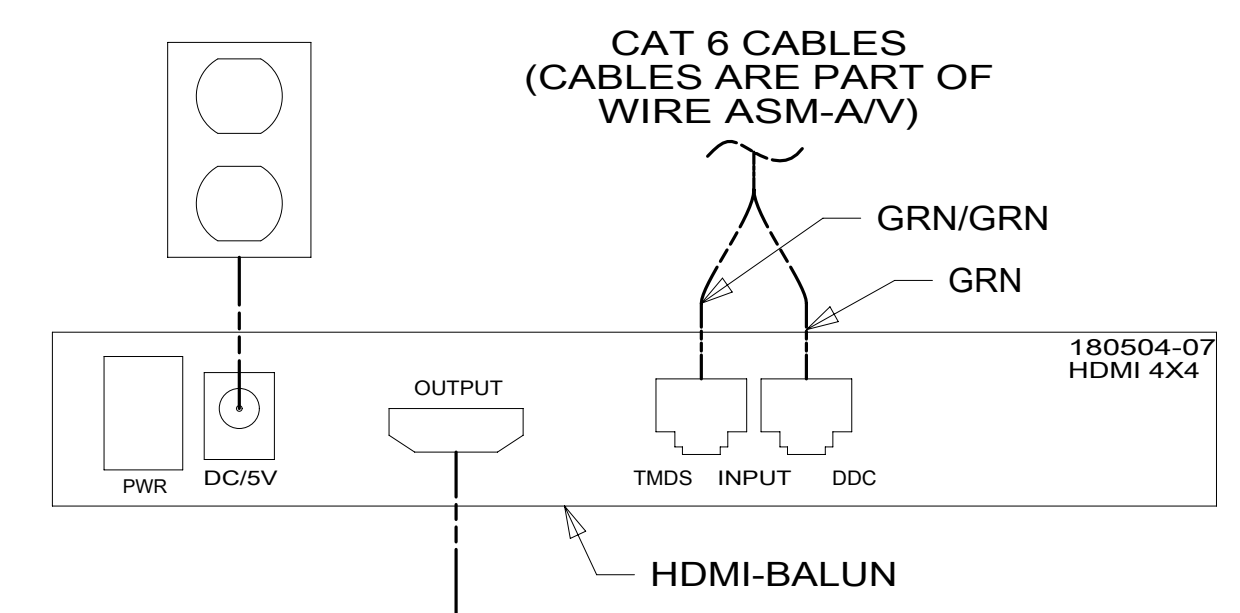
TV-43" FLAT PANEL LED, HDTV  
195158-01-000  
BRACKET-TV, DOOR MOUNT  
301608-01-CHT  
SEAL-FOAM TAPE  
154585-08-CHT (960 MM) (2)  
(550 MM) (2)

SCREW (SUPPLIED WITH TV) (4)

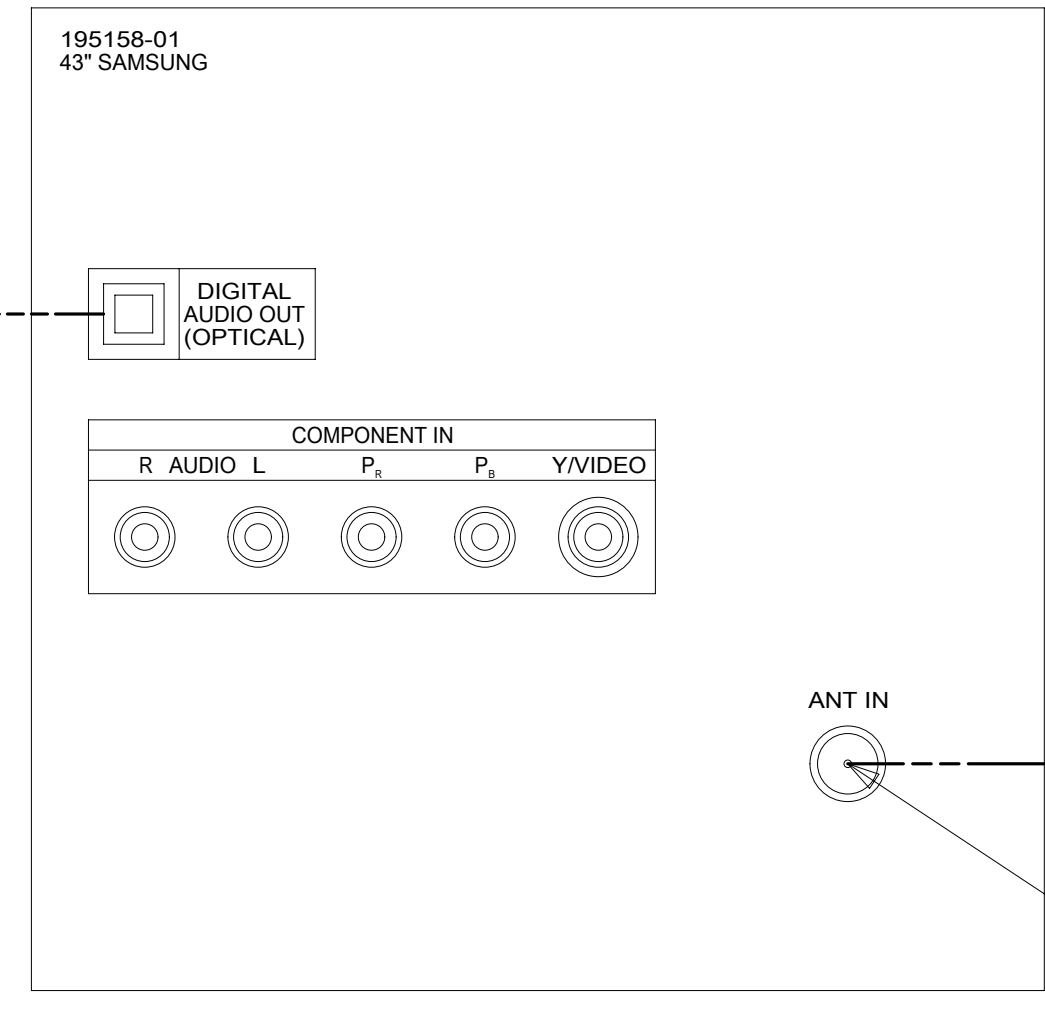
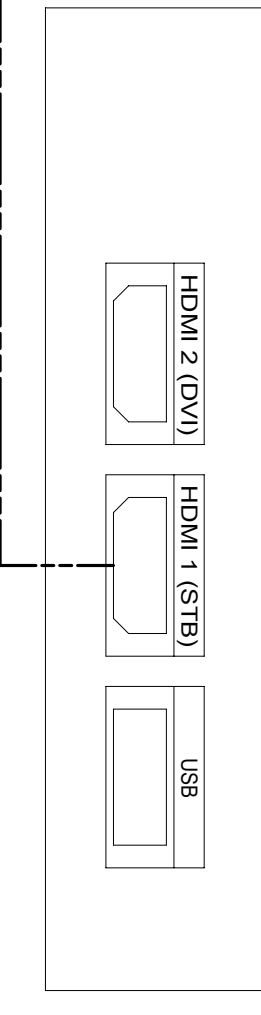
PLUG  
194896-01-000

SPEAKER-SOUNDBAR, NO SUB  
000035923 / 318181-01-000  
FASTENER-DUAL LOCK  
085774-01-000 (51 MM) (2) (25Y)  
FASTENER-DUAL LOCK  
085774-02-000 (51 MM) (2) (25N)  
SOUNDBAR  
000005776 / 312404-01-000  
FASTENER-DUAL  
85774-01-000 (51 MM) (3)  
FASTENER-DUAL  
85774-02-000 (51 MM) (3)

MATRIX-HDMI, IR REC IN-WALL  
180504-08-000



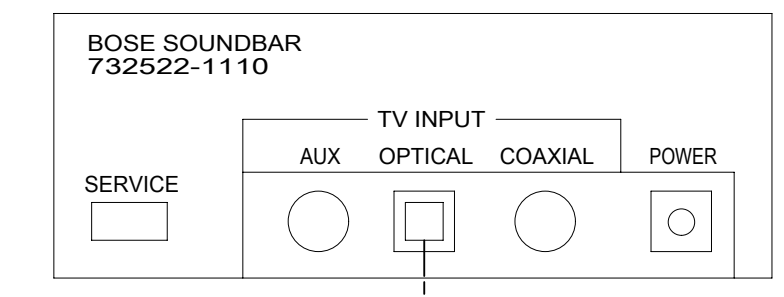
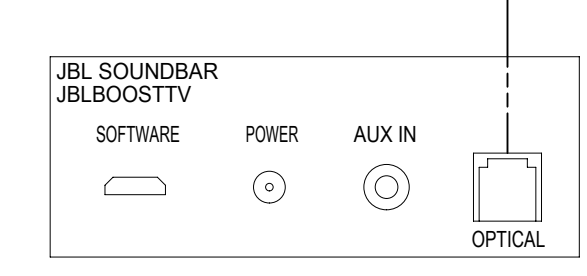
CABLE-HDMI  
165308-03-000  
TO HDMI BALUN



CABLE ASM-COAX (GRN)  
FROM WIRE ASM-A/V

CONNECTOR-F.90  
176986-01-000

CABLE-OPTICAL AUDIO  
(SUPPLIED W/ SOUNDBAR)



VIEW CB

VIEW CA

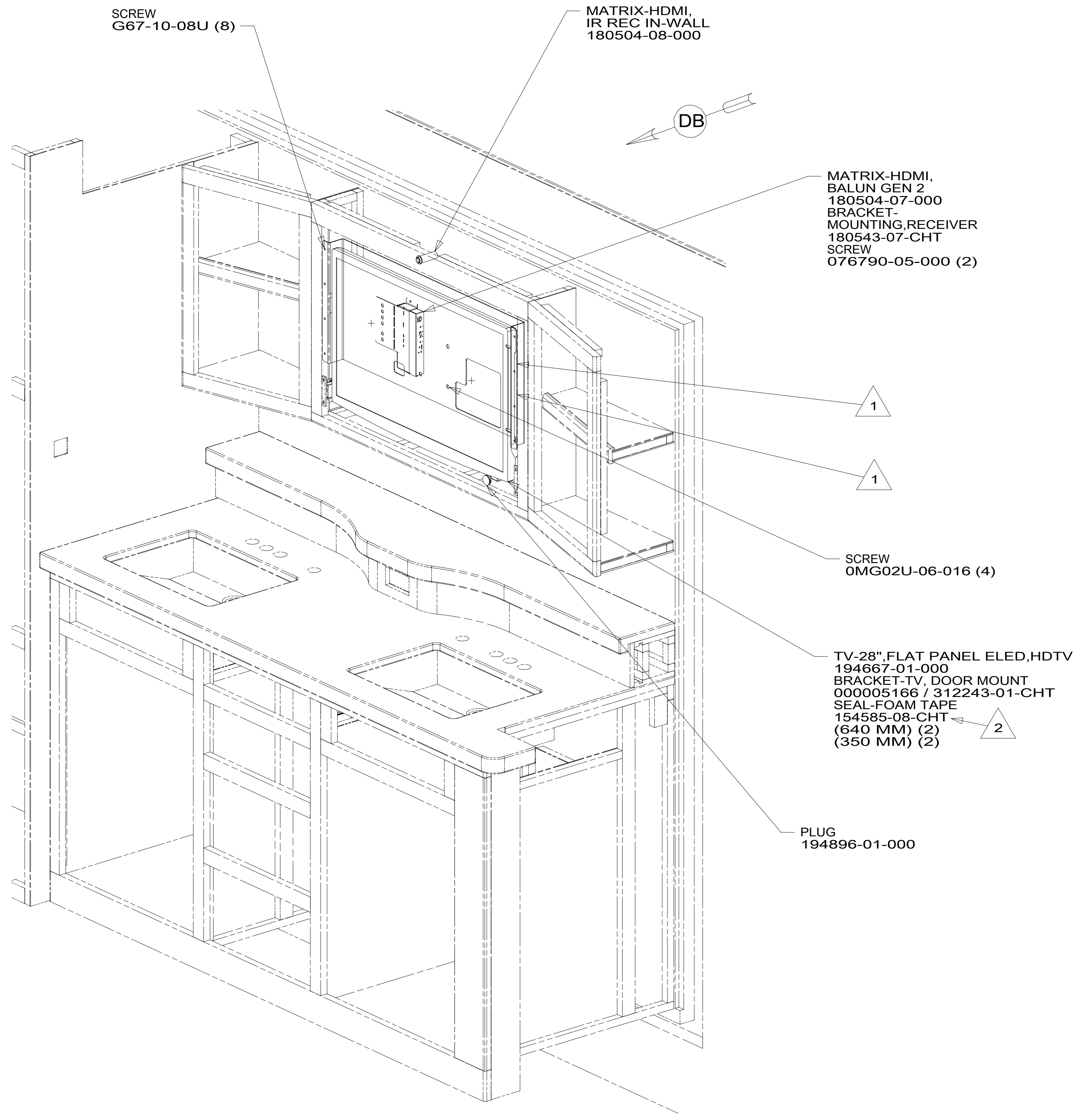
- (25N) HOME THEATER SOUNDBAR SYSTEM
- (25Y) HOMETHEATER SOUNDBAR SYS-PRM
- (265) CODES/STANDARDS-CSA/CMVSS
- (1B1) CODES/STANDARDS USA

FOR ELECTRICAL TORQUE SPECIFICATIONS SEE DWG NO. 128783-01-000

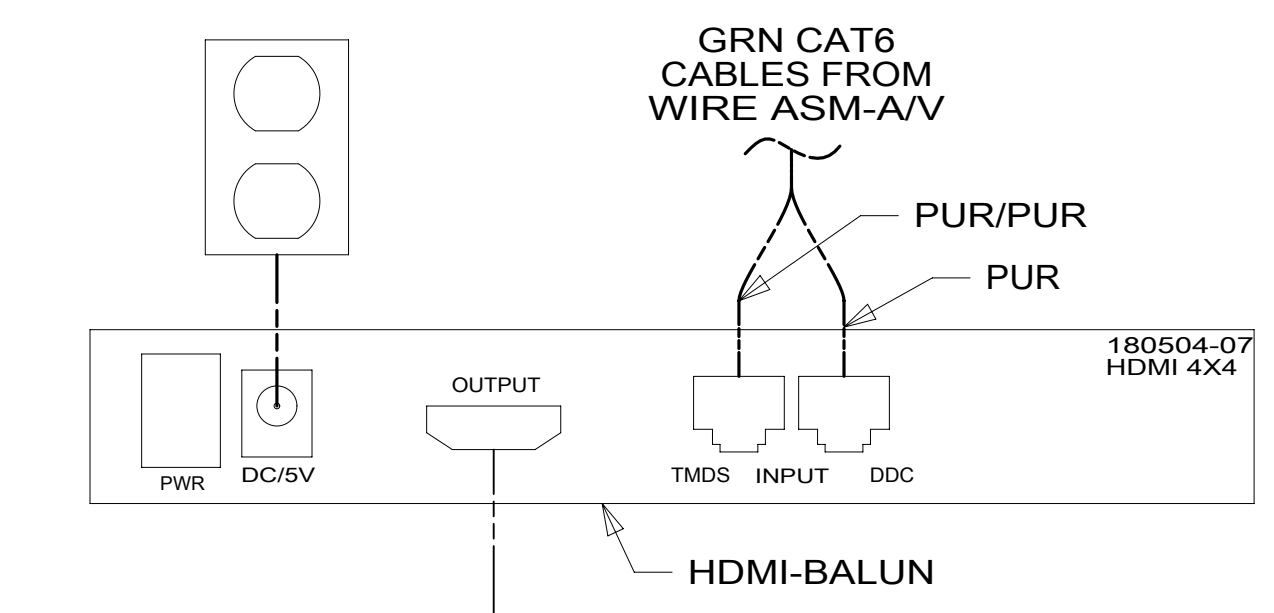
FOR ELECTRICAL CALLOUTS SEE DWG NO. 121339-01-000

DESCRIPTION:	1B1 265	
<b>WIRING INSTL-A/V, COACH</b>		
SHEET:	ITEM/PART NO:	REV
3 OF 4	000216256 / 30370301000	

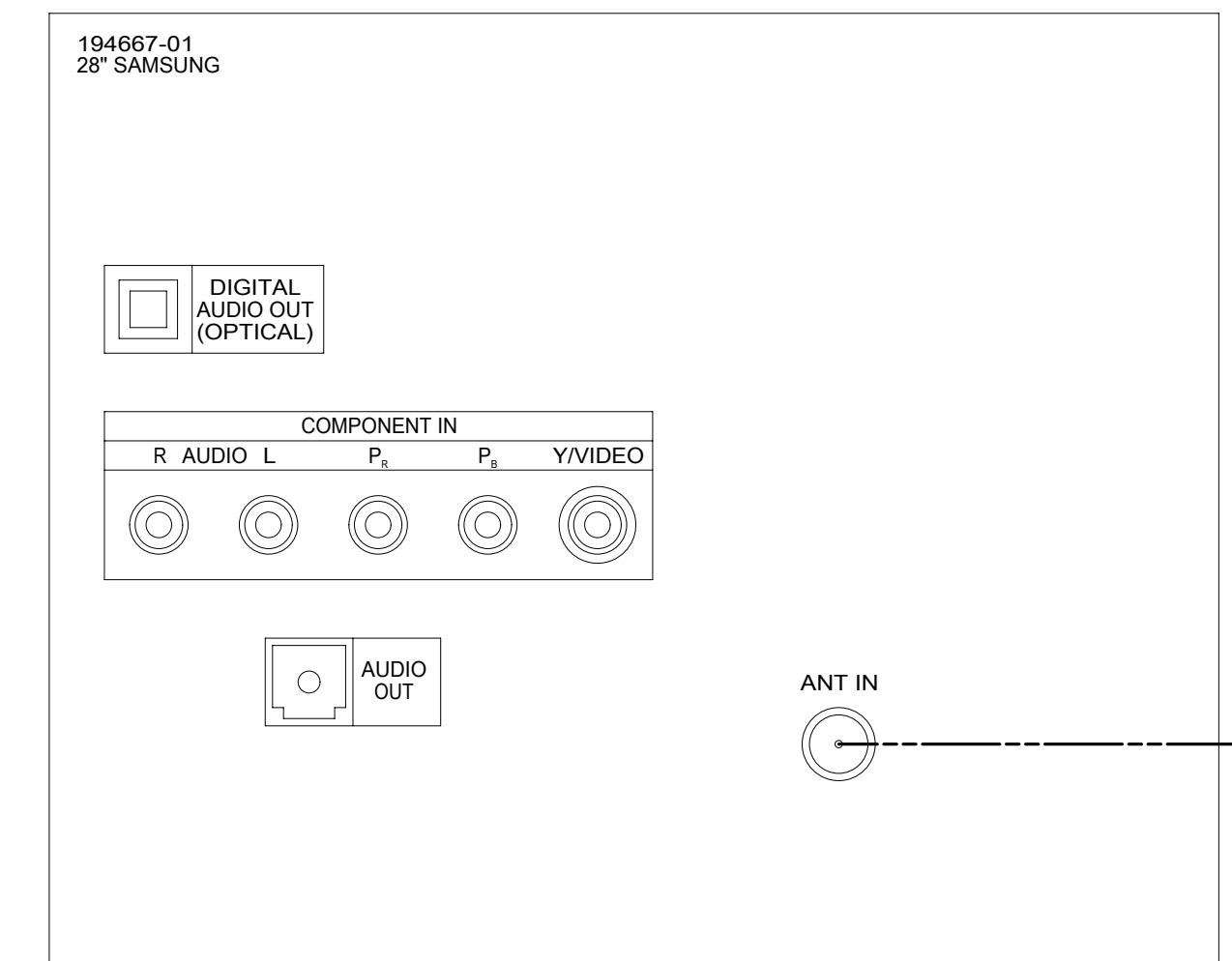
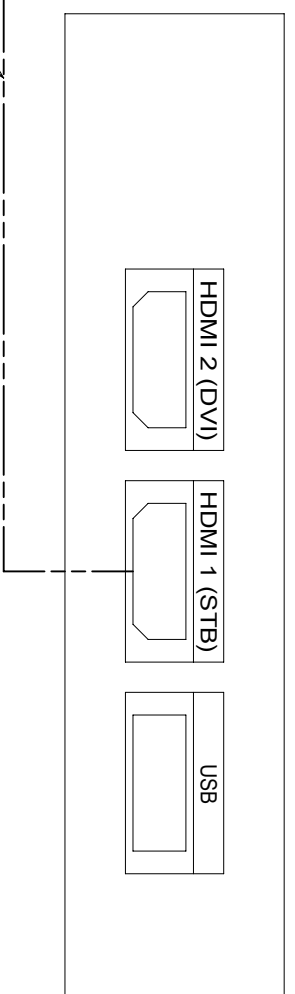
NOTES:  
1 PLACE SEAL ON TV BEZEL TO SEAL AGAINST MIRROR IN DOOR.



VIEW DA



CABLE-HDMI 165308-03-000



VIEW DB

- NOTES:
- 2 PLACE SEAL ON TV BEZEL TO SEAL AGAINST MIRROR IN DOOR.
  - 1 USE TIE-WIRE 8343-04-000 TO ATTACH WIRE ASM TO HOLES IN BRACKET.

FOR ELECTRICAL TORQUE SPECIFICATIONS SEE DWG NO. 128783-01-000

FOR ELECTRICAL CALLOUTS SEE DWG NO. 121339-01-000

- 685 TV - BATHROOM
- 265 CODES/STANDARDS-CSA/CMVSS
- 1B1 CODES/STANDARDS USA

DESCRIPTION:		
<b>WIRING INSTL-A/V, COACH</b>		
SHEET:	ITEM/PART NO.:	REV
4 OF 4	000216256 / 30370301000	