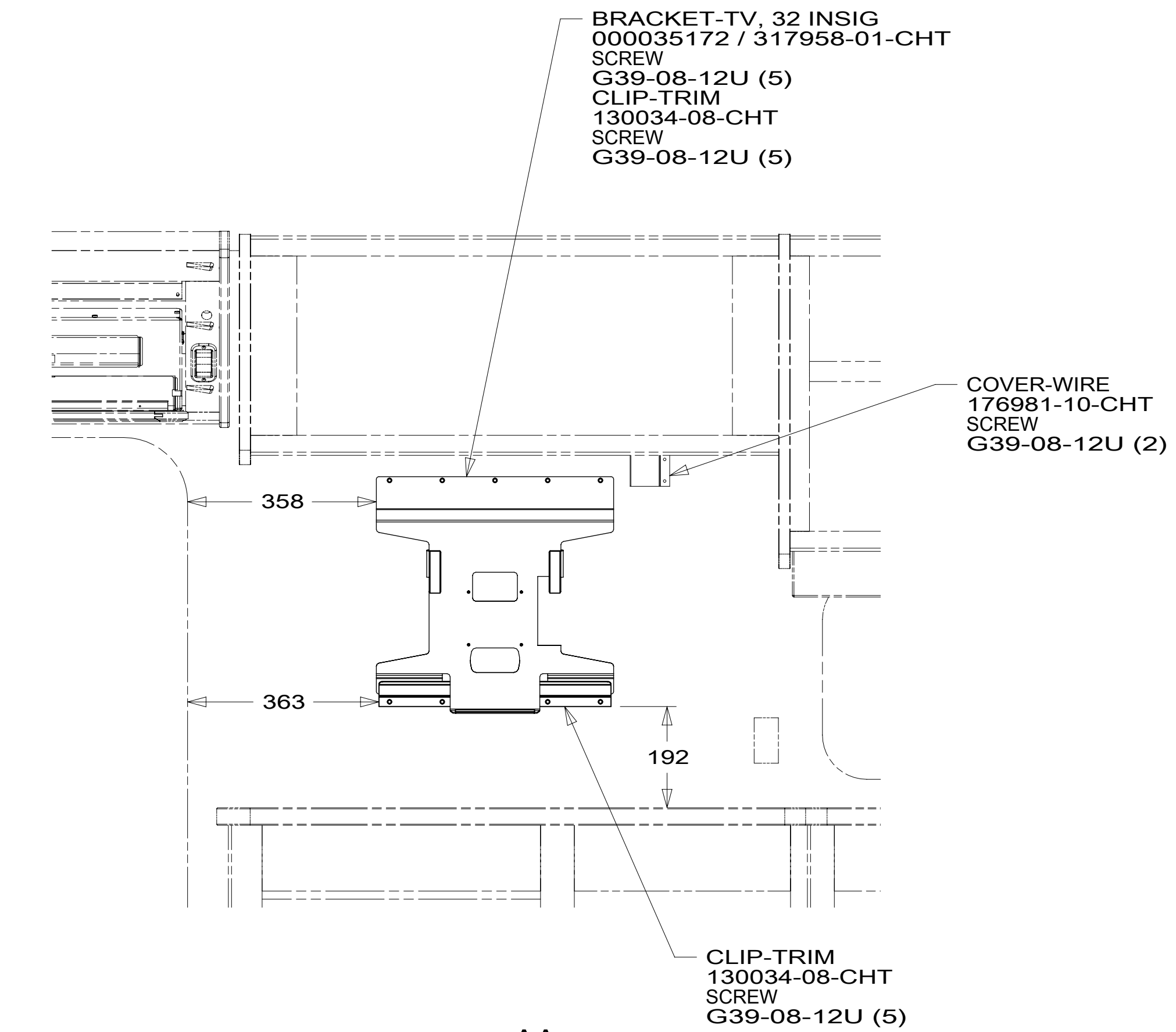
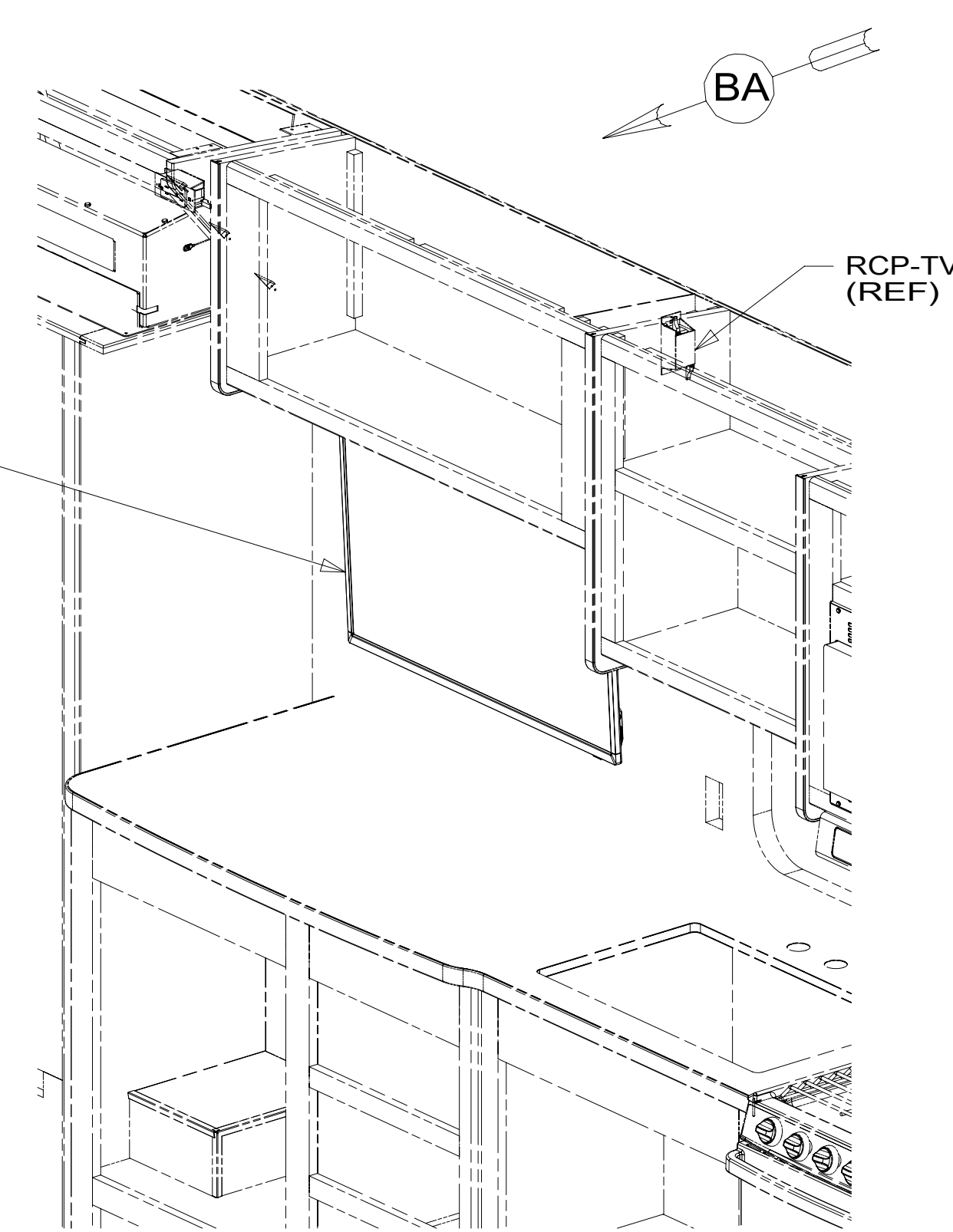


- 4 TV-32" HDTV 000031285 / 316939-01-000 SCREW OMG02U-04-012 (4) WASHER OME02U-04-071 (4) TAPE-FOAM 076322-22-000 (80 MM)(2) TAPE-FOAM 076322-23-000 (150 MM)



VIEW AA (TV NOT SHOWN)

- 68Y TV - MAIN
- 265 CODES/STANDARDS-CSA/CMVSS
- 1B1 CODES/STANDARDS USA



DSNR:	ALL DIMENSIONS ARE IN MILLIMETERS
DIFTR:	
UNSPECIFIED TOLERANCES:	MATERIAL:
WHOLE DIM (X) ± 3	
ONE-PLACE (X.X) ± 1.5	
TWO-PLACE (X.XX) ± 0.50	
ANGLE ± 1°	
REFER TO ES0018 FOR FASTENER TIGHTENING GUIDELINES	WEIGHT: (LBS) FIRST USED: 17 E31KE

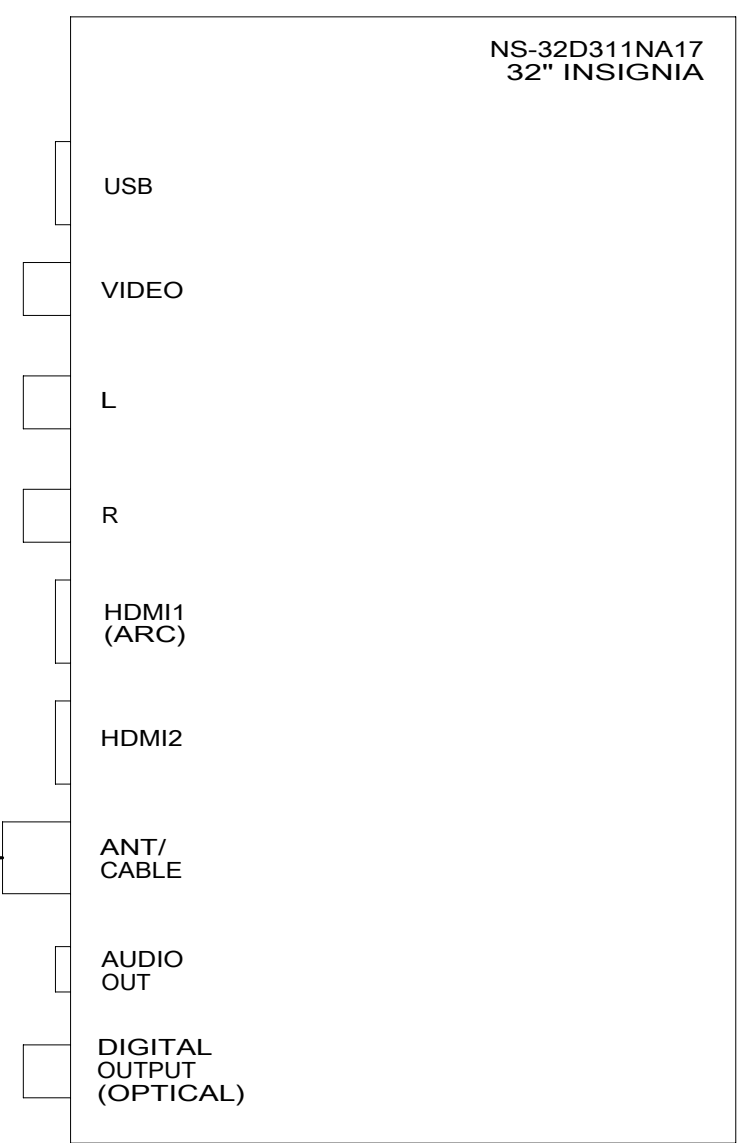
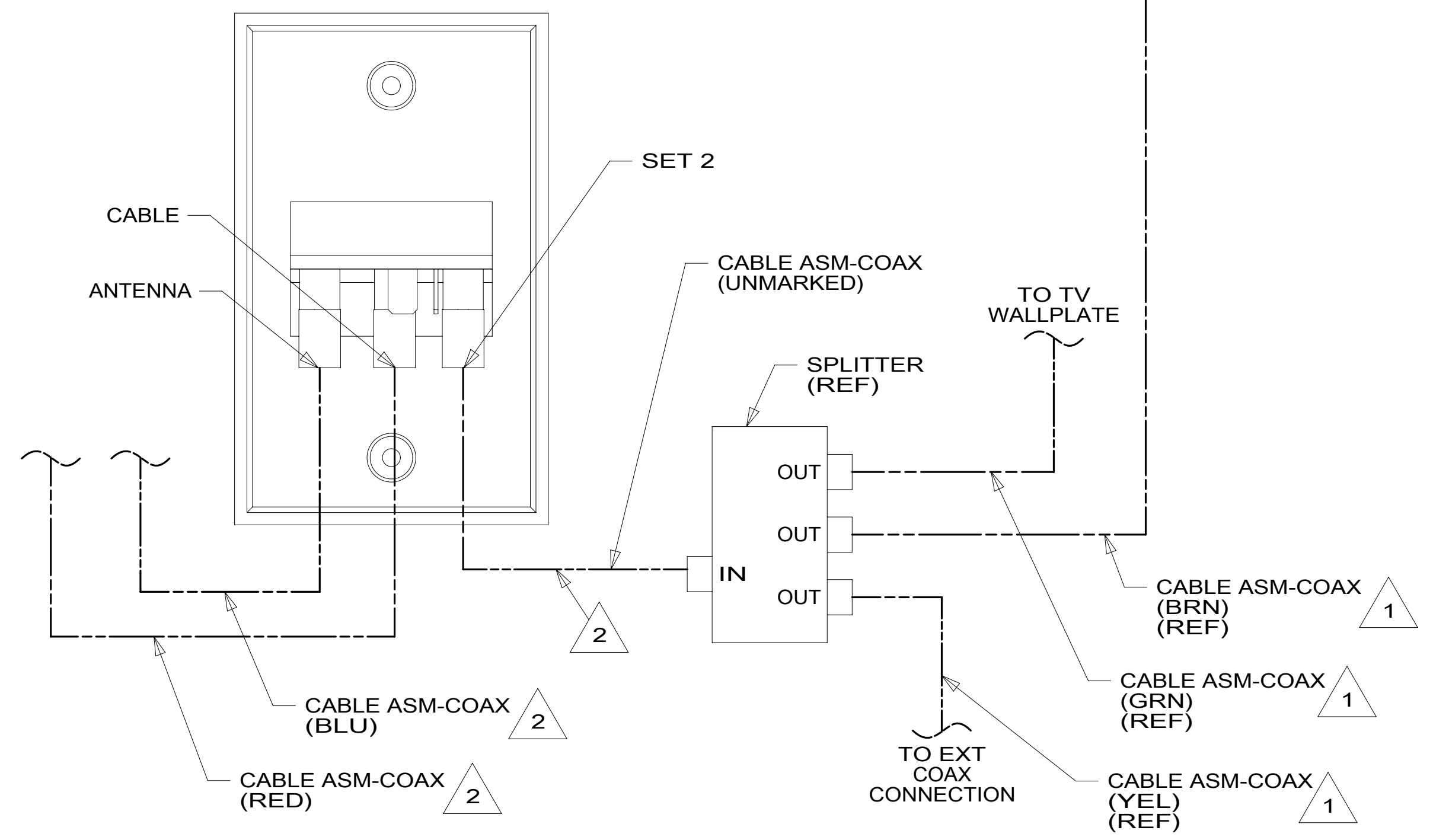
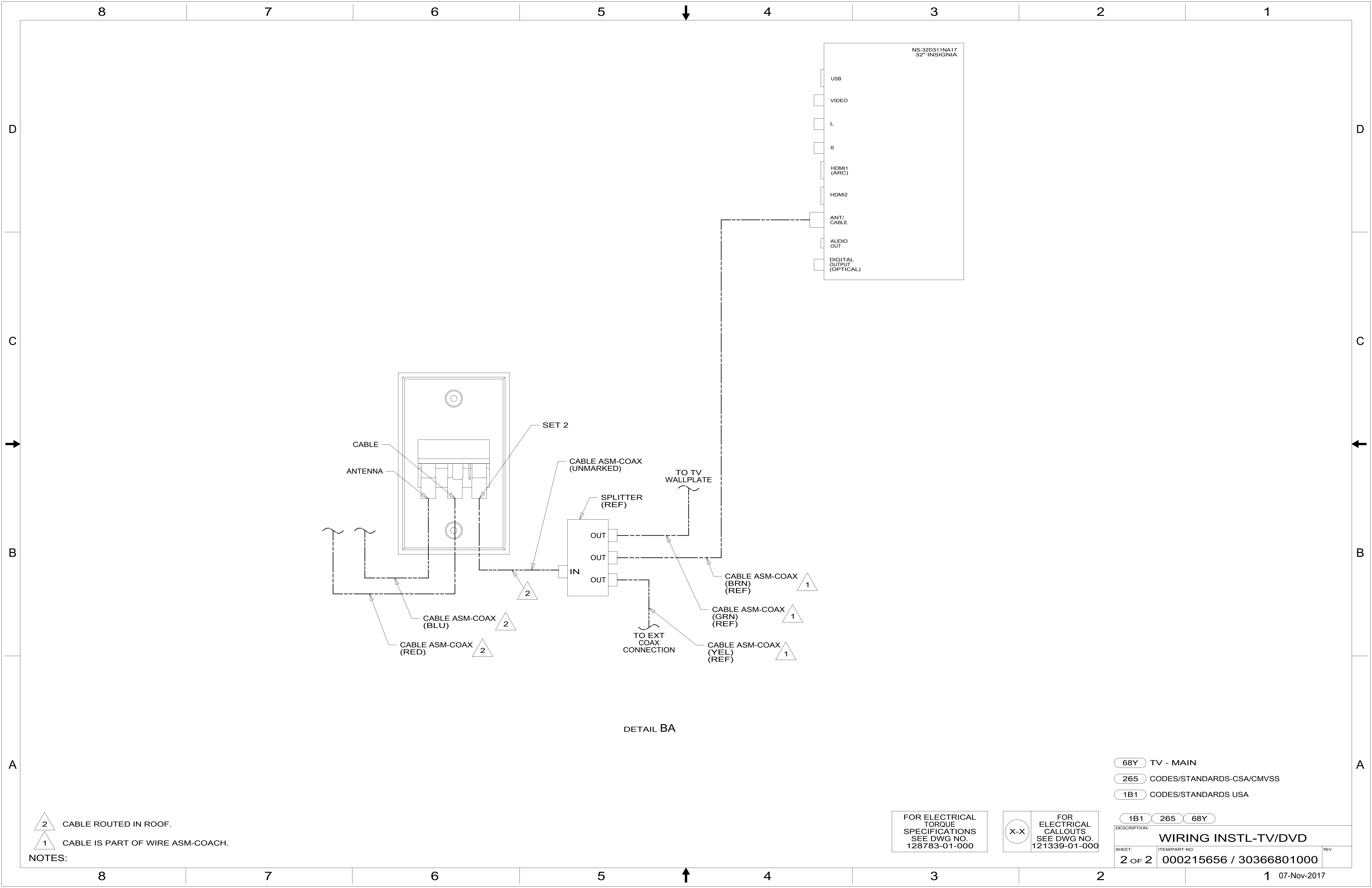
DESCRIPTION: <b>WIRING INSTL-TV/DVD</b>		
SHEET: 1 OF 2	ITEM/PART NO: 000215656 / 30366801000	REV:
REF: 1		07-Nov-2017

FOR ELECTRICAL TORQUE SPECIFICATIONS SEE DWG NO. 128783-01-000

FOR ELECTRICAL CALLOUTS SEE DWG NO. 121339-01-000

- 4 PREP BOTH SURFACES WITH ADHESIVE-PROMOTER, 087211-01-000.
3. WHERE WIRES PASS THROUGH HOLES IN STEEL AND NOT OTHERWISE PROTECTED, USE GROMMET 92908-02-000.
  2. ALL WIRES TO BE SECURED WITH CLAMP 10495-01-000 OR CLIP 80734-01-000 EVERY 600MM. USE SCREW G67-10-12B UNLESS OTHERWISE SPECIFIED.
  1. 110V WIRE TO BE CLAMPED WITH CLAMP 10497-05-000 WITHIN 200MM OF OUTLET BOXES, USE SCREW G67-10-12B.

NOTES:



2 CABLE ROUTED IN ROOF.  
 1 CABLE IS PART OF WIRE ASM-COACH.

NOTES:

FOR ELECTRICAL TORQUE SPECIFICATIONS SEE DWG NO. 128783-01-000

FOR ELECTRICAL CALLOUTS SEE DWG NO. 121339-01-000

- 68Y TV - MAIN
- 265 CODES/STANDARDS-CSA/CMVSS
- 1B1 CODES/STANDARDS USA

DESCRIPTION:		
<b>WIRING INSTL-TV/DVD</b>		
SHEET:	ITEM/PART NO.:	REV:
2 OF 2	000215656 / 30366801000	