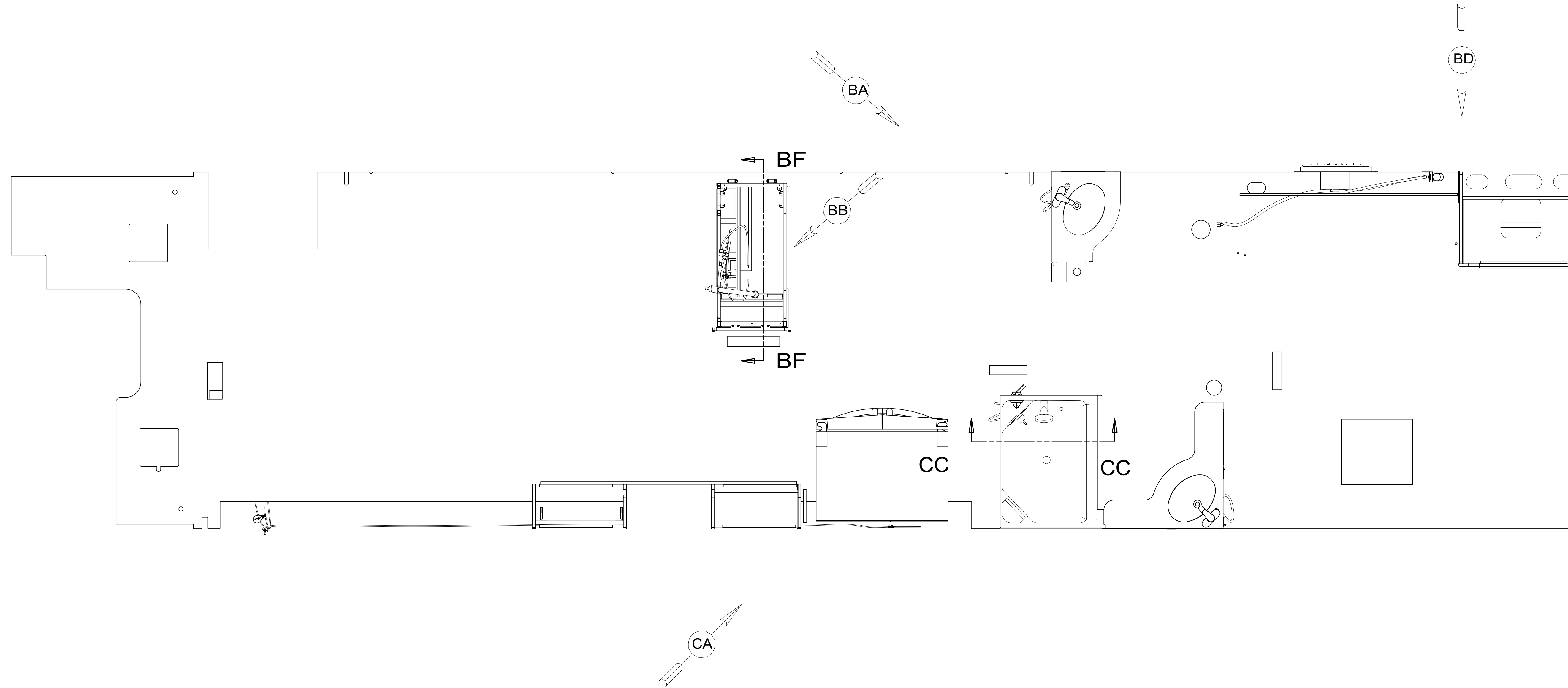


REV	ZONE	REVISION RECORD	DATE	DFTR-ORIG
A	---	INITIAL RELEASE	11/23/15	3650-8881
B	SHT3	N-3 WAS N-1	02/19/16	3650-3508
C	S2	000038865 / 318913-01-000 WAS 160946-03-000	12/22/16	9080-3650



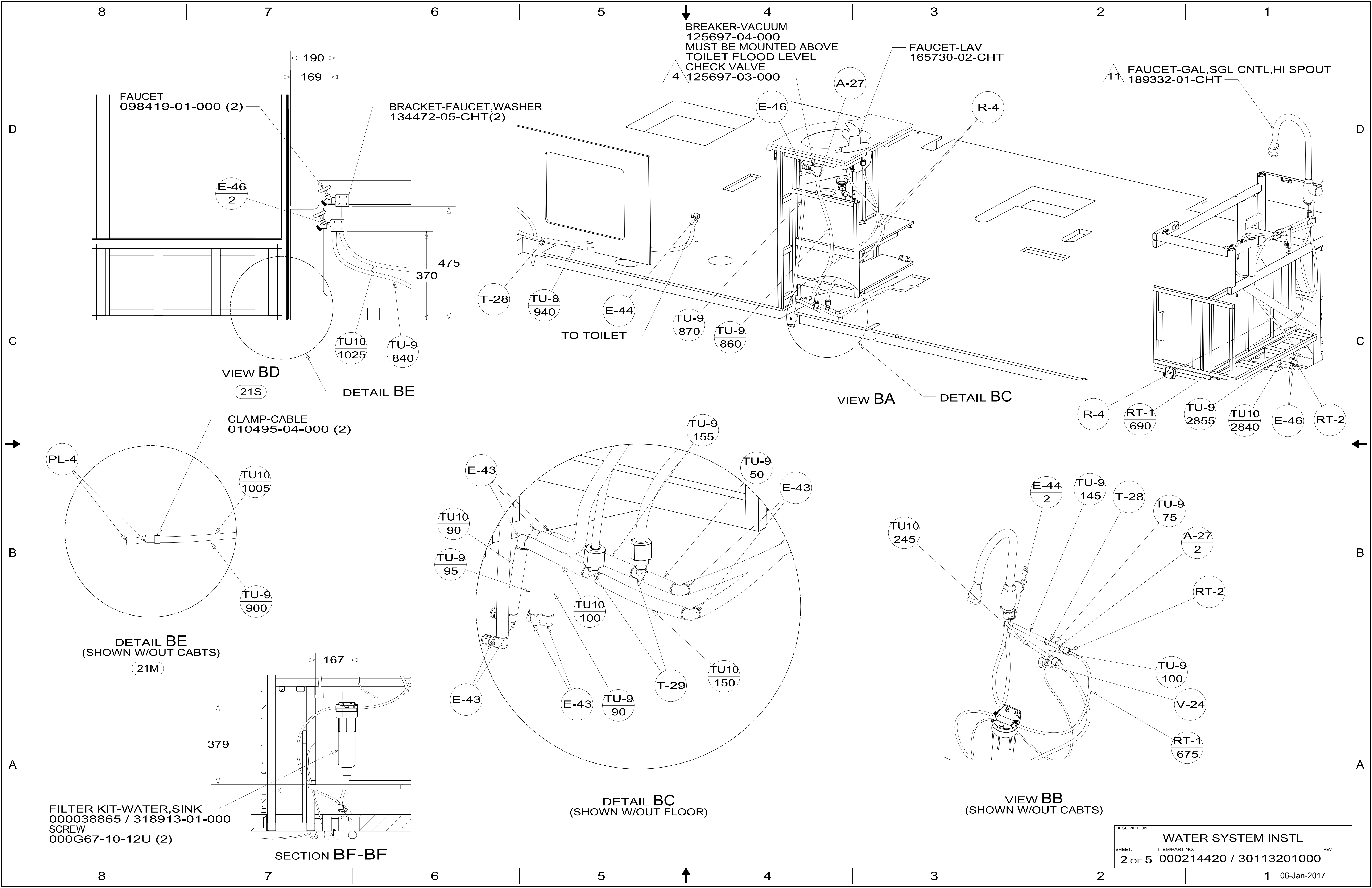
- NOTES:
1. PLASTIC FITTINGS TO BE SEALED WITH SEALANT 084456-01-000.
  2. TUBING TO BE INSTALLED WITH SUFFICIENT SLOPE TO PROVIDE DRAINAGE TO NEAREST VALVE.
  3. ALL TUBING TO BE SECURED AT 1200 INTERVALS MAXIMUM WITH CLAMP 010495-01-000 AND SCREW 000G67-10-12U OR EQUIVALENT.
  4. ADD TEFLON TAPE 010405-02-000.
  5. ADD PIPE WRAP (LADDER SCRAP 110157-02-000) INSULATION.
  6. LABEL HOT AND COLD SUPPLY TUBES AND TAPE FITTING TO TUBE BEFORE CABINET SET TO PREVENT MOVEMENT.
  7. ALL CRIMP FITTINGS TO 5/8" FLEX TUBING REQUIRE 5/8" CLAMP 140171-04-000.
  8. ALL CRIMP FITTINGS TO 1/2" PEX TUBING REQUIRE 1/2" CLAMP 140171-03-000.
  9. FLUSHING SYSTEM REQUIRES 125697-06-000 INSTRUCTION SHEET.
  10. ALL CRIMP FITTINGS TO 3/4" PEX TUBING REQUIRE 3/4" CLAMP 140171-05-000.
  11. INSTALL GALLEY FAUCET SO EXTREME ENDS OF FAUCET SWING WILL NOT DRIP ON COUNTERTOP.

- 1BT WATER HEATER, TANKLESS
- 1B2 WTR HTR-10GAL/ELEC/LP/MTRAIID
- 21M WASHER/DRYER PREP
- 21S WASHER & DRYER-PAIR

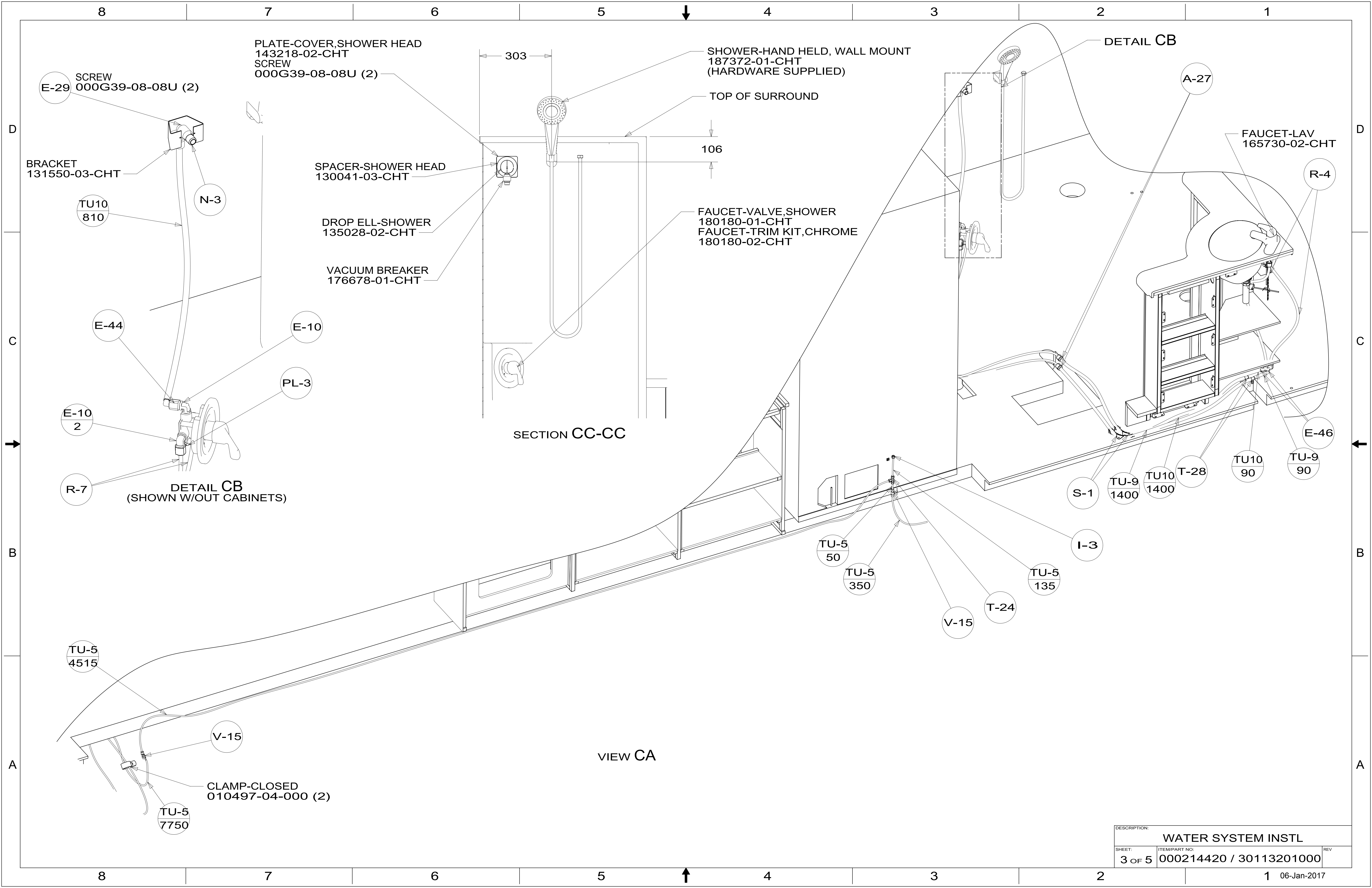
X-X  
FOR  
WATER  
CALLOUTS  
SEE DWG NO.  
116230-01-000

COPYRIGHT 2016 WINNEBAGO INDUSTRIES, INC.

DSNR:		ALL DIMENSIONS ARE IN MILLIMETERS	
DFTR:			
UNSPECIFIED TOLERANCES:		MATERIAL:	
WHOLE DIM (X)	3		
ONE-PLACE (X.X)	1.5		
TWO-PLACE (X.XX)	0.50		
ANGLE	1°		
REFER TO ES0018 FOR FASTENER TIGHTENING GUIDELINES		WEIGHT: (LBS)	FIRST USED: (REF)
			17 J38Q
DESCRIPTION: <b>WATER SYSTEM INSTL</b>			
SHEET:	ITEM/PART NO:	REV	
1 OF 5	000214420 / 30113201000		

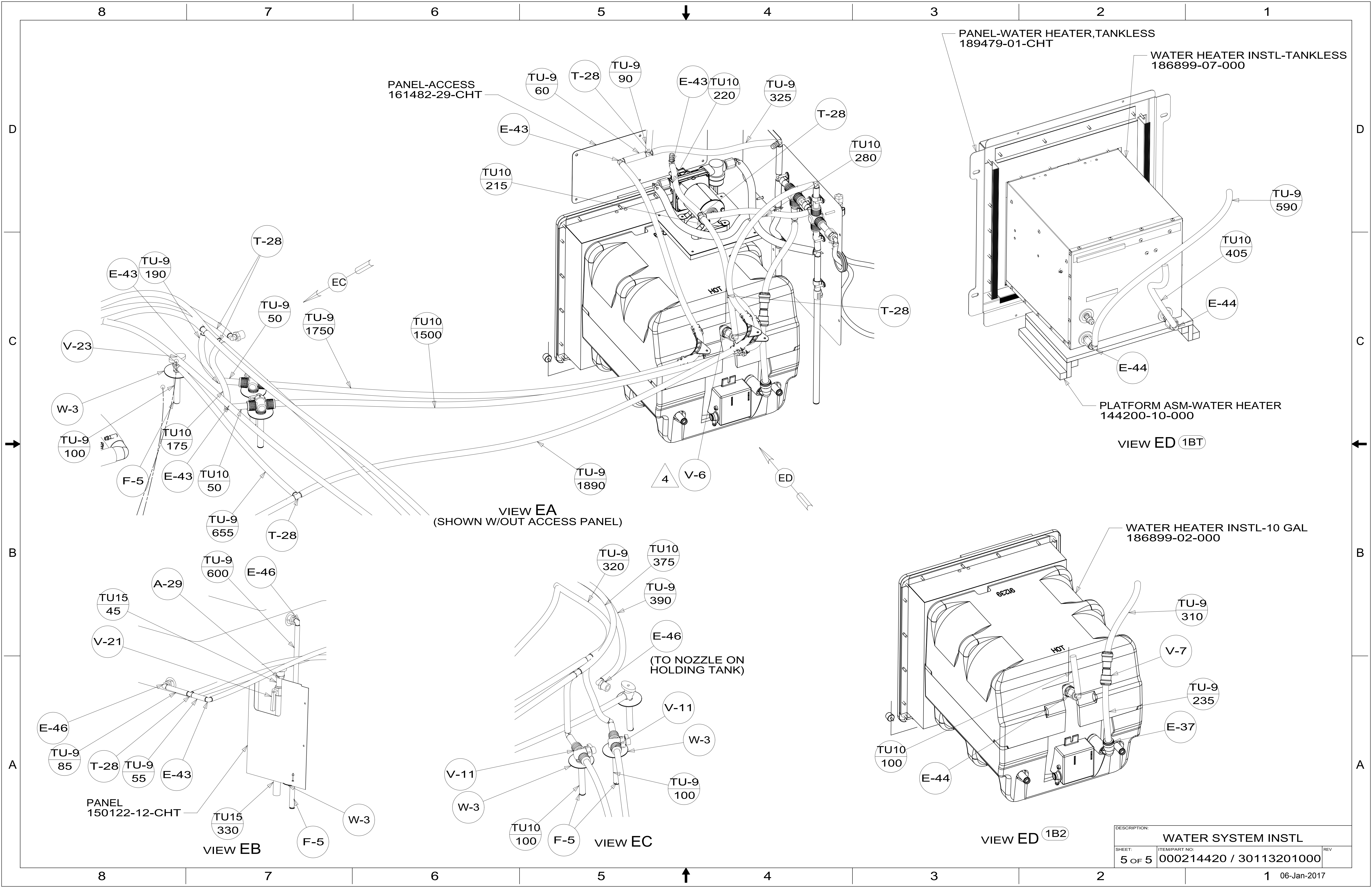


DESCRIPTION:		
WATER SYSTEM INSTL		
SHEET:	ITEM/PART NO.:	REV
2 OF 5	000214420 / 30113201000	



DESCRIPTION:		
WATER SYSTEM INSTL		
SHEET:	ITEM/PART NO:	REV
3 OF 5	000214420 / 30113201000	
		1 06-Jan-2017





DESCRIPTION:		
WATER SYSTEM INSTL		
SHEET:	ITEM/PART NO.:	REV
5 OF 5	000214420 / 30113201000	