

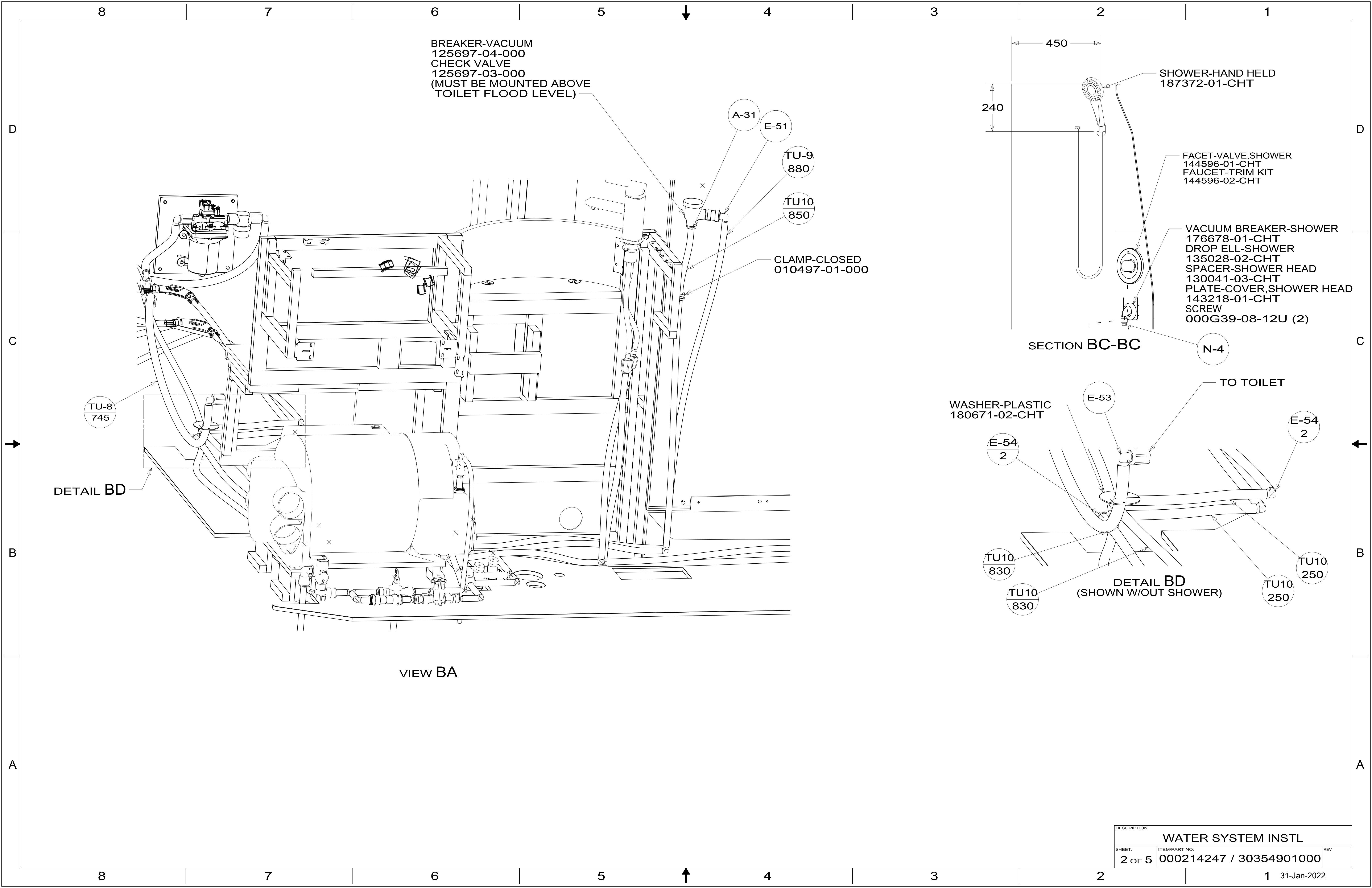
FRONT OF COACH

- 10. SECURE VALVE HANDLE W/SILICOLN
- 9. PARTS TO BE ASSEMBLED AND ABLE TO BE REMOVED AND STORED AS A SINGLE ASM.
- 8. ALL CRIMP FITTINGS TO 1/2" PEX TUBING REQUIRE 1/2" CLAMP 140171-03-000.
- 7. ALL CRIMP FITTINGS TO 5/8" PEX TUBING REQUIRE 5/8" CLAMP 140171-04-000.
- 6. LABEL HOT AND COLD SUPPLY TUBES AND TAPE FITTING TO TUBE BEFORE CABINET SET TO PREVENT MOVEMENT.
- 5. ADD PIPE WRAP (LADDER SCRAP 110157-02-000) INSULATION.
- 4. ADD TEFLON TAPE 010405-02-000.
- 3. ALL TUBING TO BE SECURED AT 1200 INTERVALS MAXIMUM WITH CLAMP 010495-01-000 AND SCREW 000G67-10-12U OR EQUIVALENT.
- 2. TUBING TO BE INSTALLED WITH SUFFICIENT SLOPE TO PROVIDE DRAINAGE TO NEAREST VALVE.
- 1. PLASTIC FITTINGS TO BE SEALED WITH SEALANT 084456-01-000.

NOTES:

X-X
 FOR WATER CALLOUTS SEE DWG NO. 303369-01-000

WINNEBAGO [®]			
COPYRIGHT 2019 WINNEBAGO INDUSTRIES, INC.			
DSNR:		ALL DIMENSIONS ARE IN MILLIMETERS	
DIFTR:			
UNSPECIFIED TOLERANCES:	WHOLE DIM (X)	3	MATERIAL:
	ONE-PLACE (X.X)	1.5	
	TWO-PLACE (X.XX)	0.50	
	ANGLE	1°	
REFER TO ES0018 FOR FASTENER TIGHTENING GUIDELINES		WEIGHT: (LBS)	FIRST USED: (REF)
			17 170M
DESCRIPTION:			
WATER SYSTEM INSTL			
SHEET:	ITEM/PART NO.:	REV:	
1 OF 5	000214247 / 30354901000		
REF:			1 31-Jan-2022



BREAKER-VACUUM
 125697-04-000
 CHECK VALVE
 125697-03-000
 (MUST BE MOUNTED ABOVE
 TOILET FLOOD LEVEL)

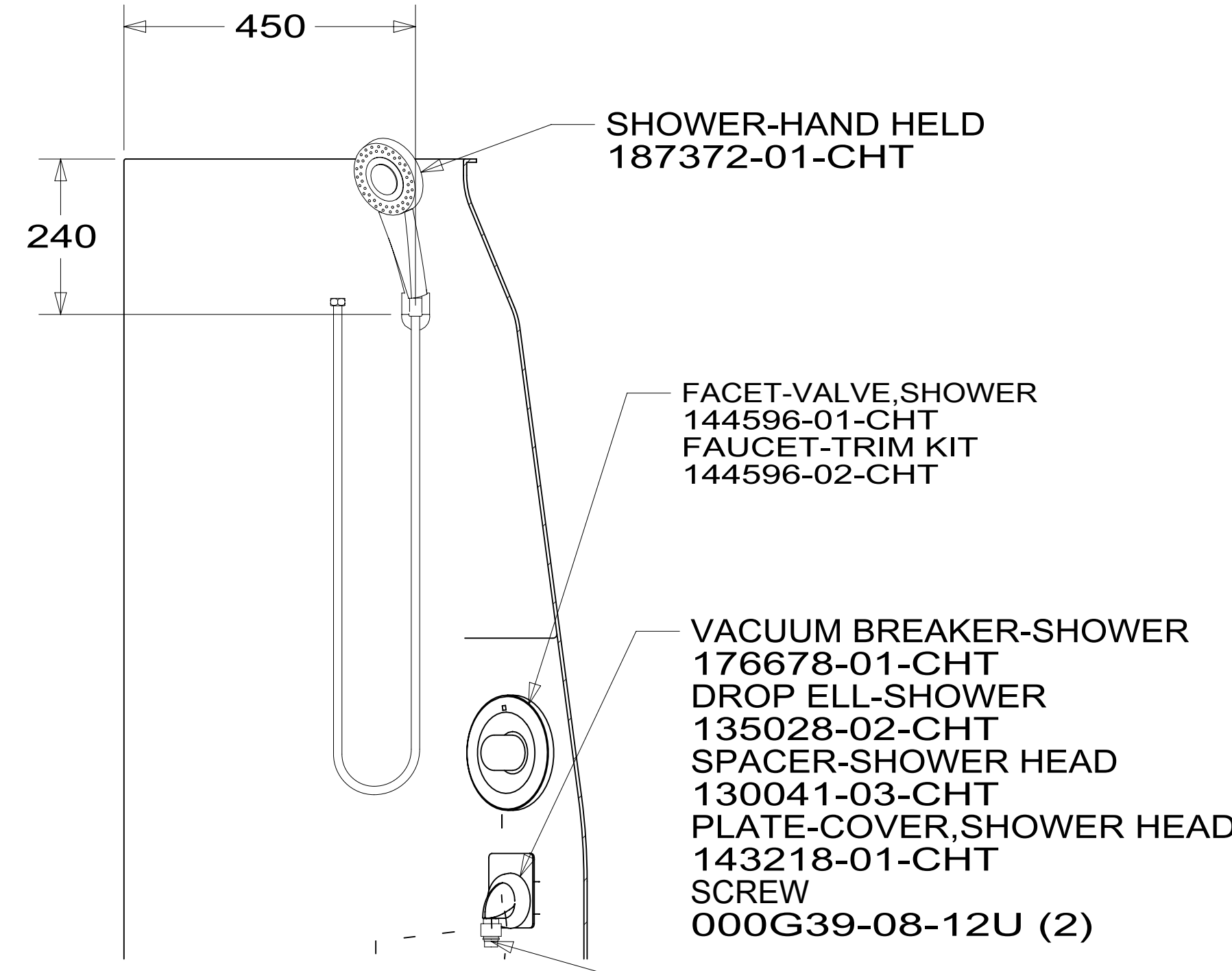
A-31

E-51

TU-9
880

TU10
850

CLAMP-CLOSED
010497-01-000



SECTION BC-BC

SHOWER-HAND HELD
187372-01-CHT

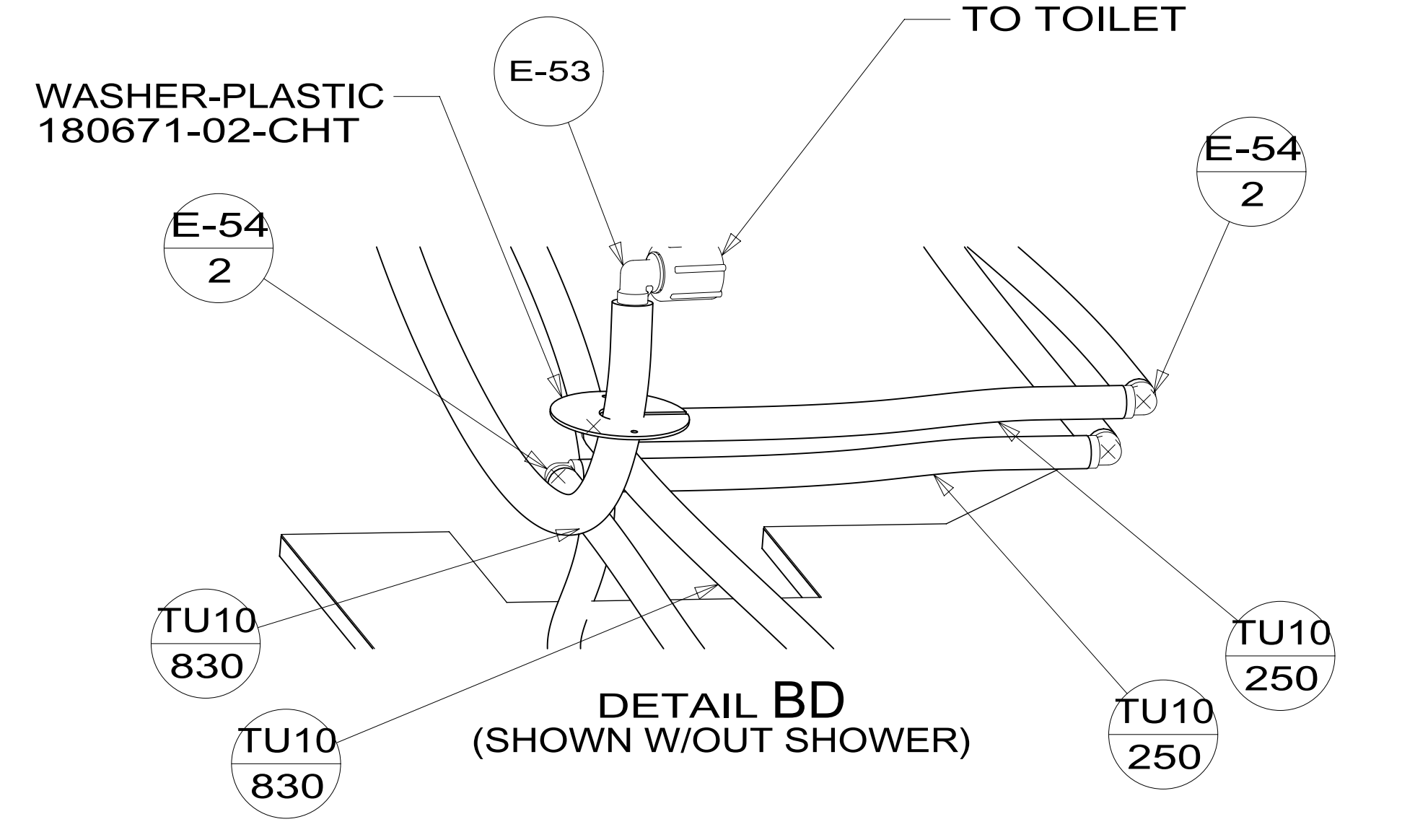
FACET-VALVE,SHOWER
144596-01-CHT
FAUCET-TRIM KIT
144596-02-CHT

VACUUM BREAKER-SHOWER
176678-01-CHT
DROP ELL-SHOWER
135028-02-CHT
SPACER-SHOWER HEAD
130041-03-CHT
PLATE-COVER,SHOWER HEAD
143218-01-CHT
SCREW
000G39-08-12U (2)

N-4

TU-8
745

DETAIL BD



DETAIL BD
(SHOWN W/OUT SHOWER)

WASHER-PLASTIC
180671-02-CHT

E-54
2

TU10
830

TU10
830

E-53

TO TOILET

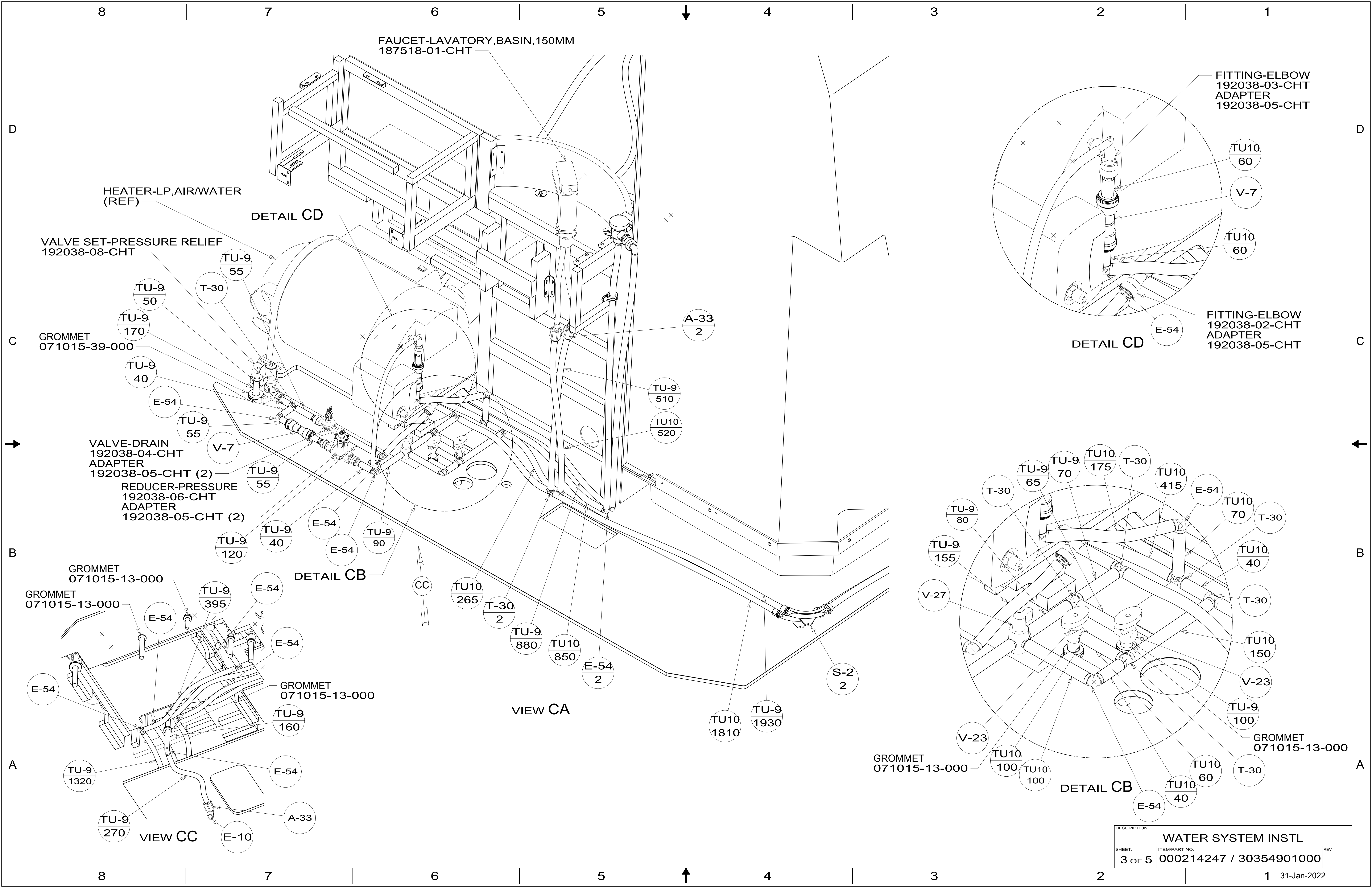
E-54
2

TU10
250

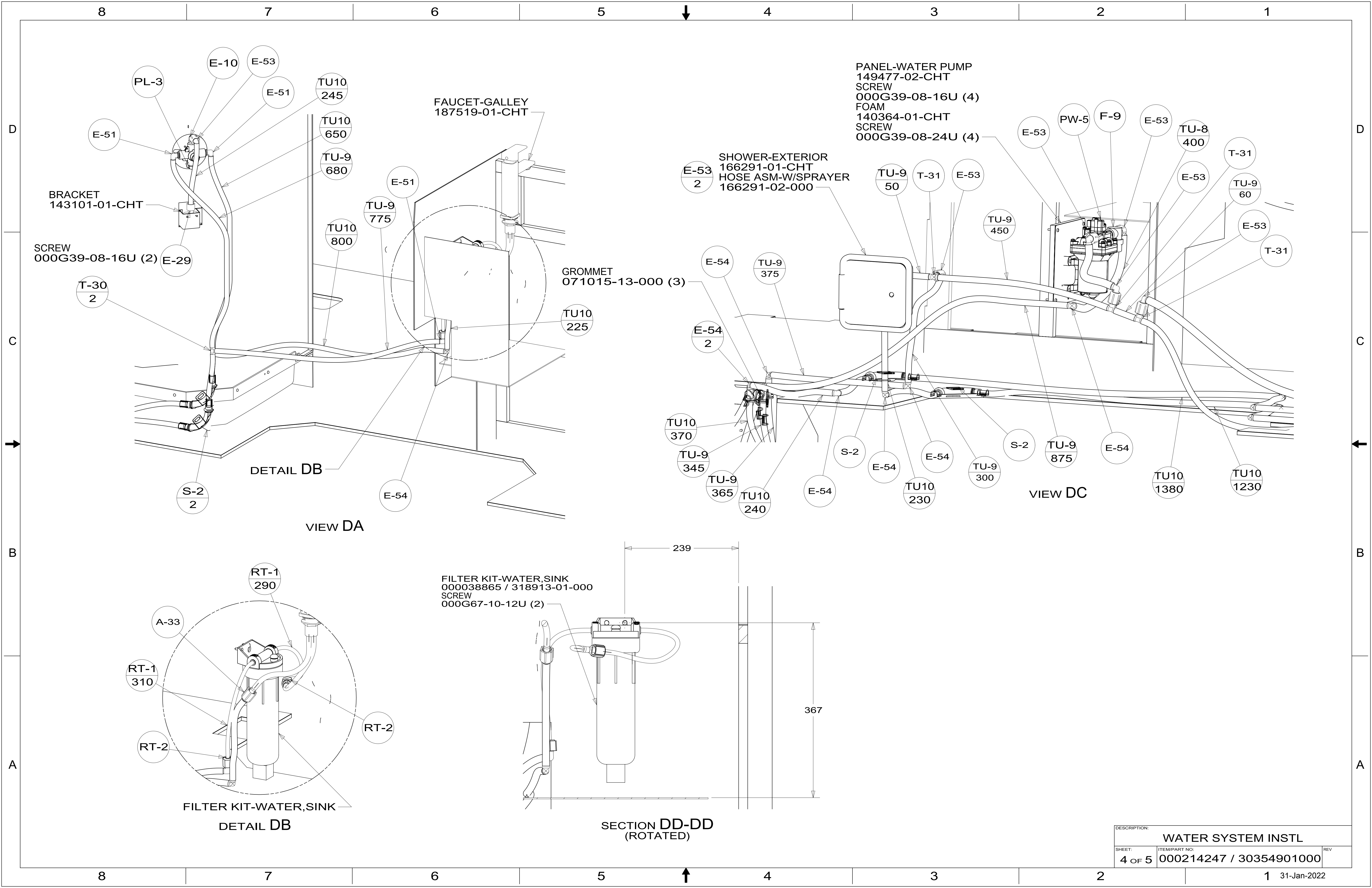
TU10
250

VIEW BA

DESCRIPTION: WATER SYSTEM INSTL		
SHEET: 2 OF 5	ITEM/PART NO: 000214247 / 30354901000	REV



DESCRIPTION:		
WATER SYSTEM INSTL		
SHEET:	ITEM/PART NO.:	REV
3 OF 5	000214247 / 30354901000	



PANEL-WATER PUMP
 149477-02-CHT
 SCREW
 000G39-08-16U (4)
 FOAM
 140364-01-CHT
 SCREW
 000G39-08-24U (4)

SHOWER-EXTERIOR
 166291-01-CHT
 HOSE ASM-W/SPRAYER
 166291-02-000

GROMMET
 071015-13-000 (3)

FILTER KIT-WATER,SINK
 000038865 / 318913-01-000
 SCREW
 000G67-10-12U (2)

VIEW DA

VIEW DC

SECTION DD-DD
 (ROTATED)

DETAIL DB

DESCRIPTION:		
WATER SYSTEM INSTL		
SHEET:	ITEM/PART NO.:	REV
4 OF 5	000214247 / 30354901000	

