

8 7 6 5 4 3 2 1

D

D

C

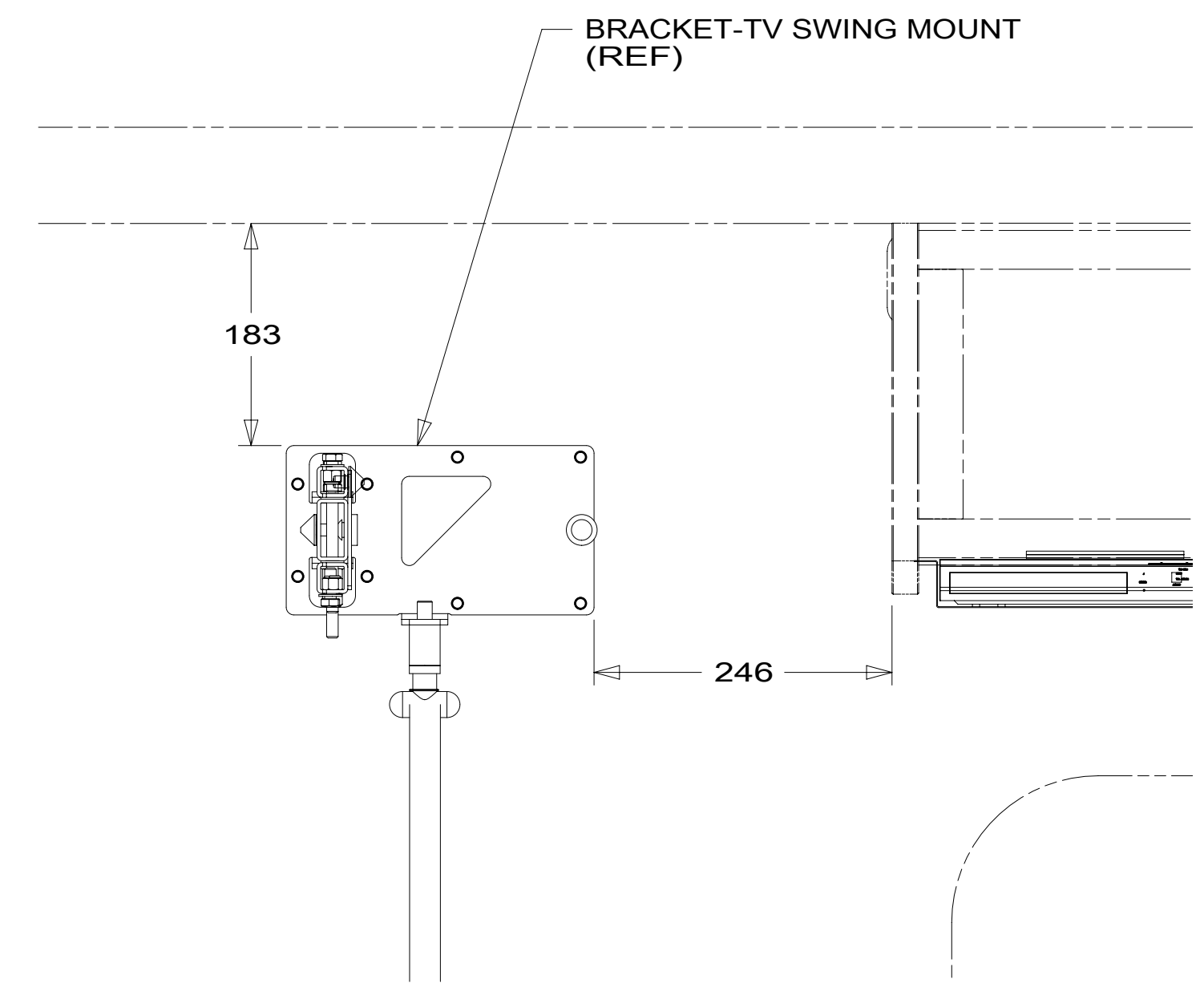
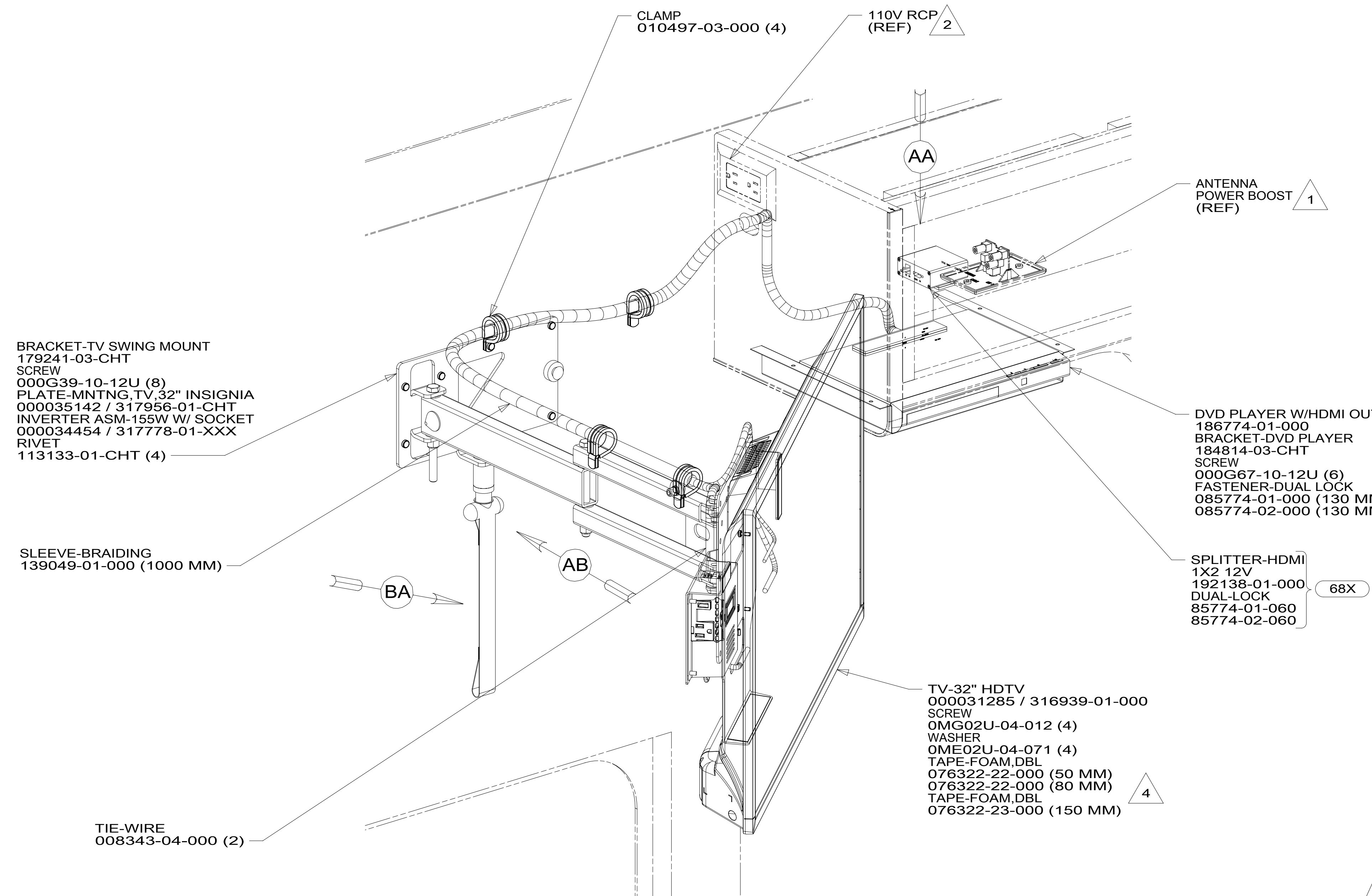
C

B

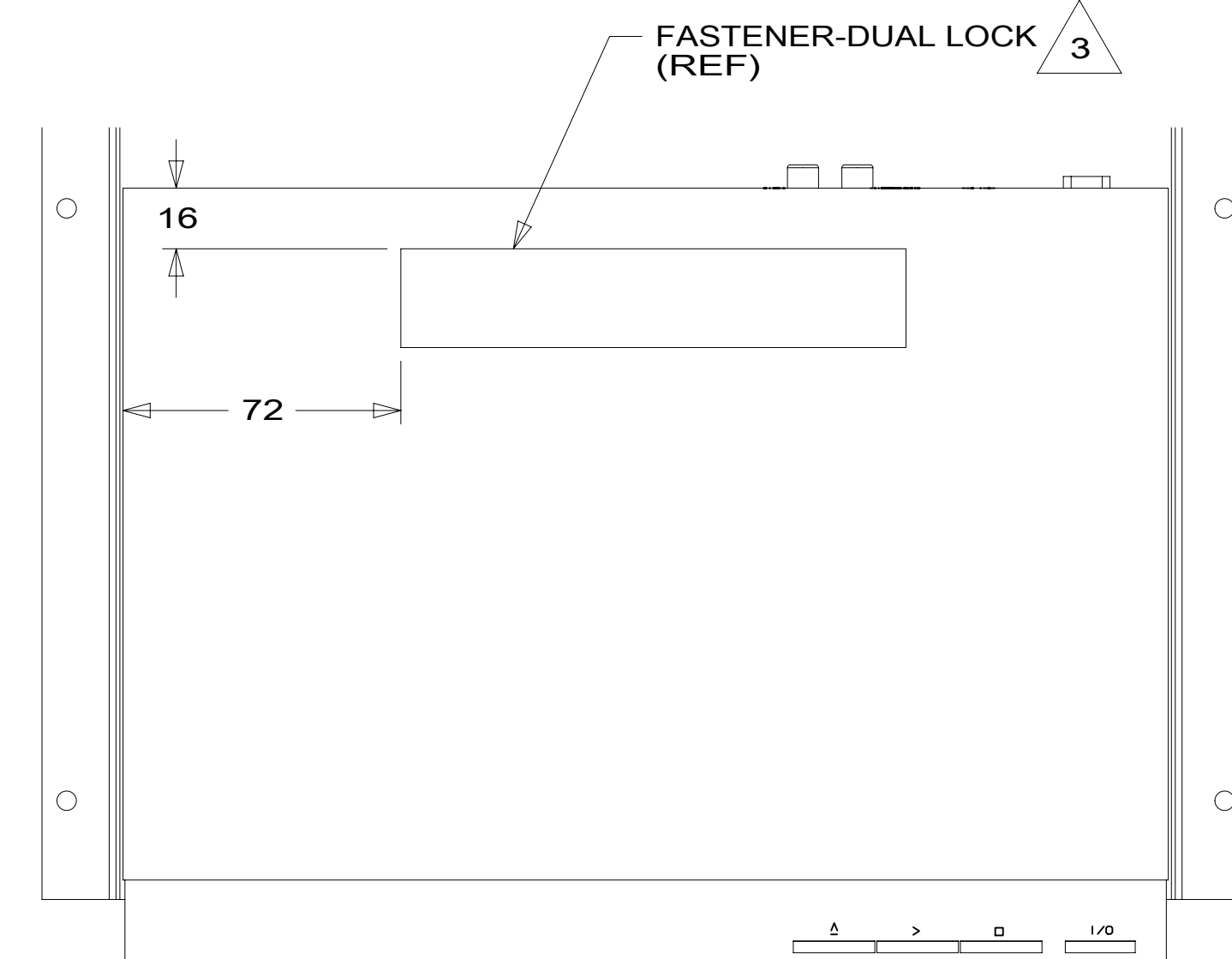
B

A

A



VIEW AB  
(TV NOT SHOWN)



VIEW AA

VIEW AC  
(TV NOT SHOWN)

BRACKET-TV SWING MOUNT  
179241-03-CHT  
SCREW  
000G39-10-12U (8)  
PLATE-MNTNG,TV,32" INSIGNIA  
000035142 / 317956-01-CHT  
INVERTER ASM-155W W/ SOCKET  
000034454 / 317778-01-XXX  
RIVET  
113133-01-CHT (4)

SLEEVE-BRAIDING  
139049-01-000 (1000 MM)

TIE-WIRE  
008343-04-000 (2)

CLAMP  
010497-03-000 (4)

110V RCP  
(REF) 2

ANTENNA  
POWER BOOST  
(REF) 1

DVD PLAYER W/HDMI OUT  
186774-01-000  
BRACKET-DVD PLAYER  
184814-03-CHT  
SCREW  
000G67-10-12U (6)  
FASTENER-DUAL LOCK  
085774-01-000 (130 MM)  
085774-02-000 (130 MM)

SPLITTER-HDMI  
1X2 12V  
192138-01-000  
DUAL-LOCK  
85774-01-060  
85774-02-060

TV-32" HDTV  
000031285 / 316939-01-000  
SCREW  
0MG02U-04-012 (4)  
WASHER  
0ME02U-04-071 (4)  
TAPE-FOAM,DBL  
076322-22-000 (50 MM)  
076322-22-000 (80 MM)  
TAPE-FOAM,DBL  
076322-23-000 (150 MM)

FASTENER-DUAL LOCK  
(REF) 3

- 68X TV - BEDROOM
- 68R TV - FRONT
- 265 CODES/STANDARDS-CSA/CMVSS
- 1B1 CODES/STANDARDS USA

1B1 265 68R



DSNR:	ALL DIMENSIONS ARE IN MILLIMETERS	
DFFR:		
UNSPECIFIED TOLERANCES:	MATERIAL:	
WHOLE DIM (X) : 3		
ONE-PLACE (X.X) : 1.5		
TWO-PLACE (X.XX) : 0.50		
ANGLE : 1°		
REFER TO ES0018 FOR FASTENER TIGHTENING GUIDELINES	WEIGHT: (LBS)	FIRST USED:
		17 326A

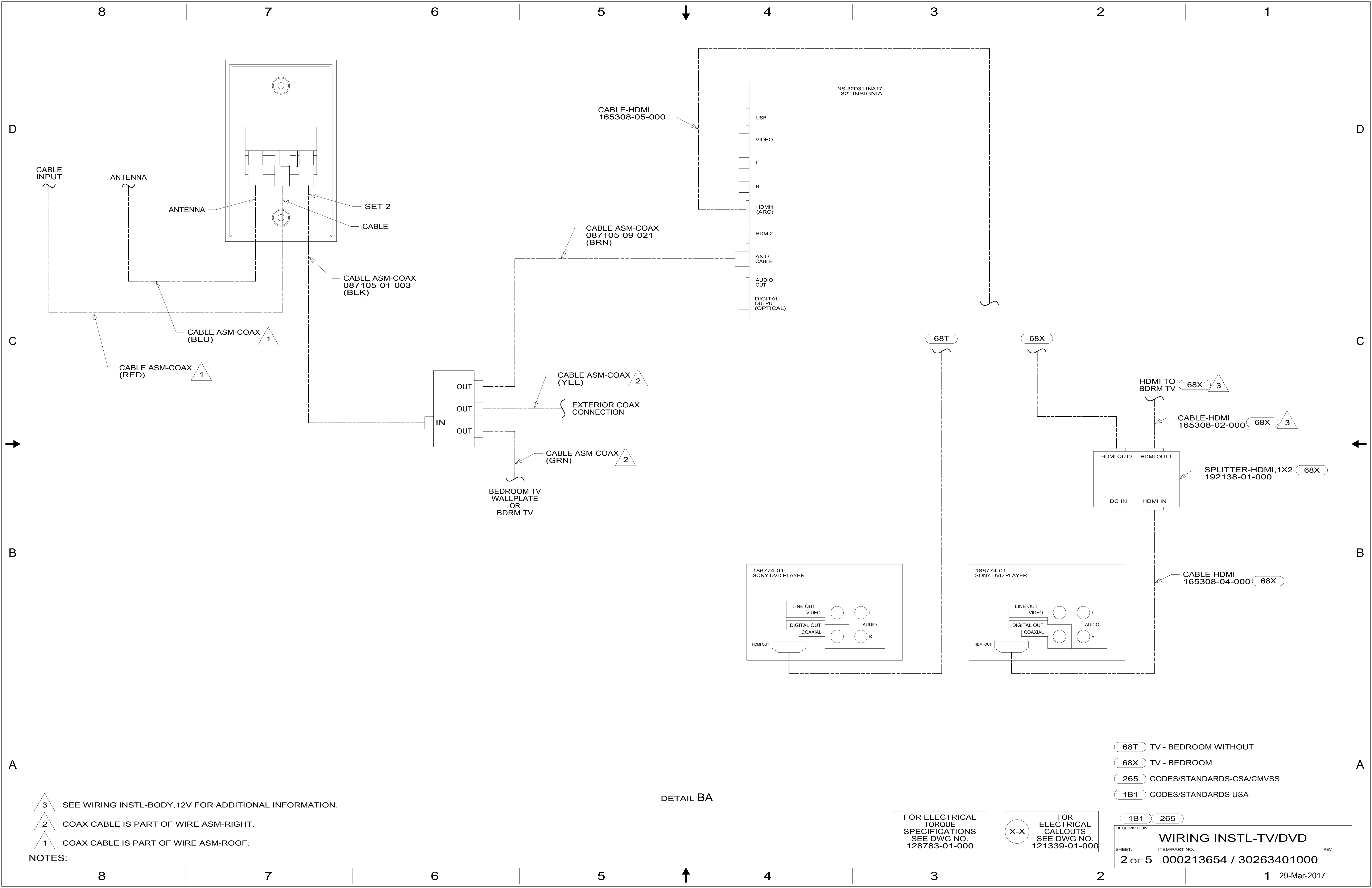
DESCRIPTION: <b>WIRING INSTL-TV/DVD</b>		
SHEET: 1 OF 5	ITEM/PART NO: 000213654 / 30263401000	REV:

FOR ELECTRICAL TORQUE SPECIFICATIONS SEE DWG NO. 128783-01-000

FOR ELECTRICAL CALLOUTS SEE DWG NO. 121339-01-000

- NOTES:
- 5 ATTACH DUAL LOCK TO UNDERSIDE OF SPLITTER AND ATTACH TO WOODEN SUPPORT.
  - 4 PREP BOTH SURFACES WITH ADHESIVE-PROMOTER 087211-01-000.
  - 3 ATTACH FASTENER-DUAL LOCK TO DVD PLAYER POSITIONED AS SHOWN.
  - 2 SEE WIRING INSTL-BODY, 110V FOR ADDITIONAL INFORMATION.
  - 1 SEE WIRING INSTL-BODY, 12V FOR ADDITIONAL INFORMATION.

8 7 6 5 4 3 2 1



- NOTES:
- 3 SEE WIRING INSTL-BODY, 12V FOR ADDITIONAL INFORMATION.
  - 2 COAX CABLE IS PART OF WIRE ASM-RIGHT.
  - 1 COAX CABLE IS PART OF WIRE ASM-ROOF.

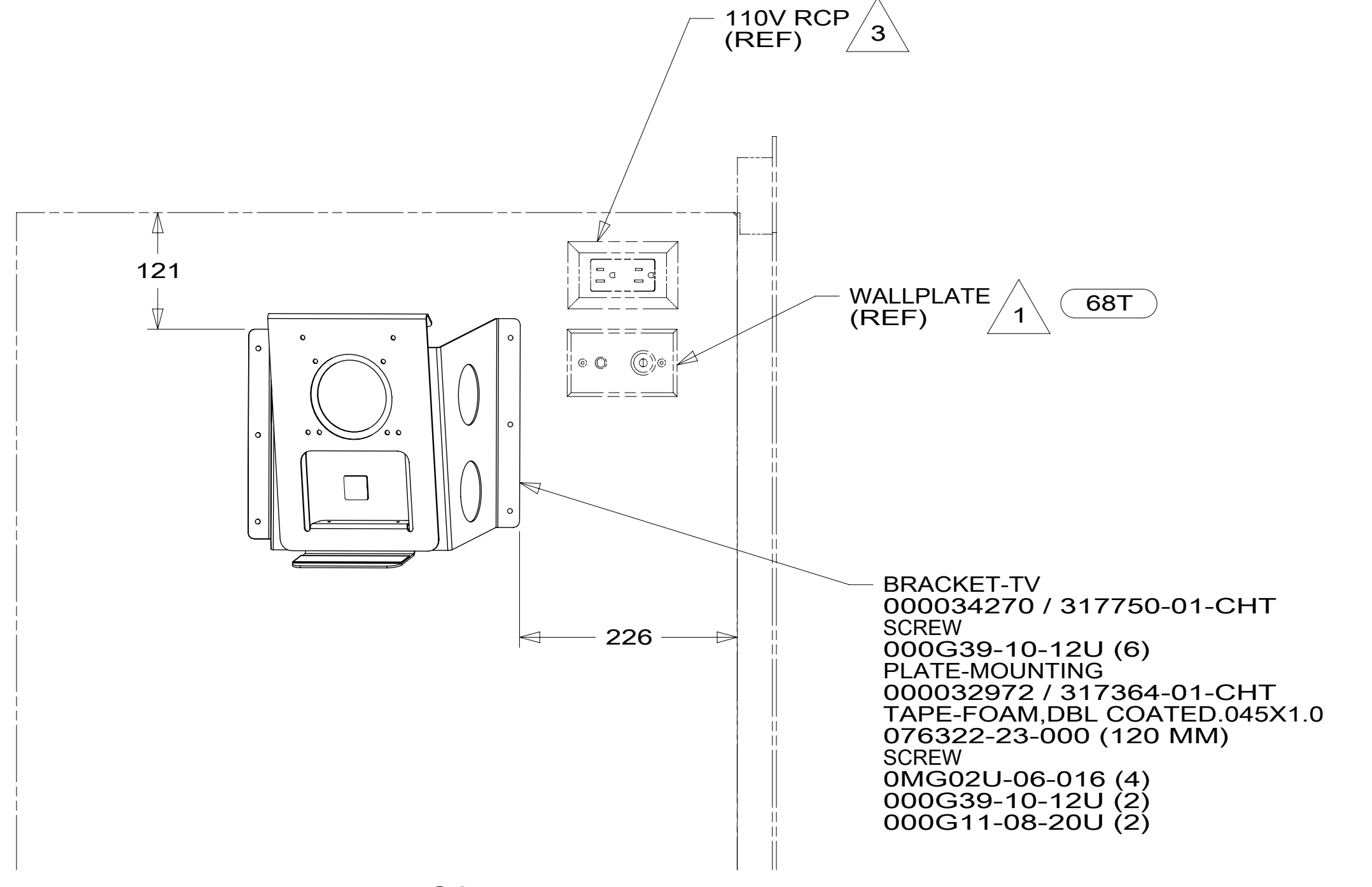
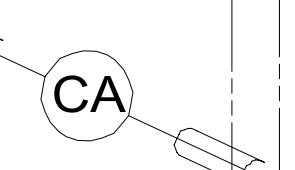
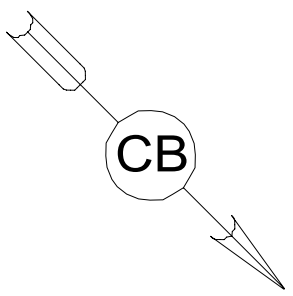
DETAIL BA

FOR ELECTRICAL TORQUE SPECIFICATIONS SEE DWG NO. 128783-01-000

FOR ELECTRICAL CALLOUTS SEE DWG NO. 121339-01-000

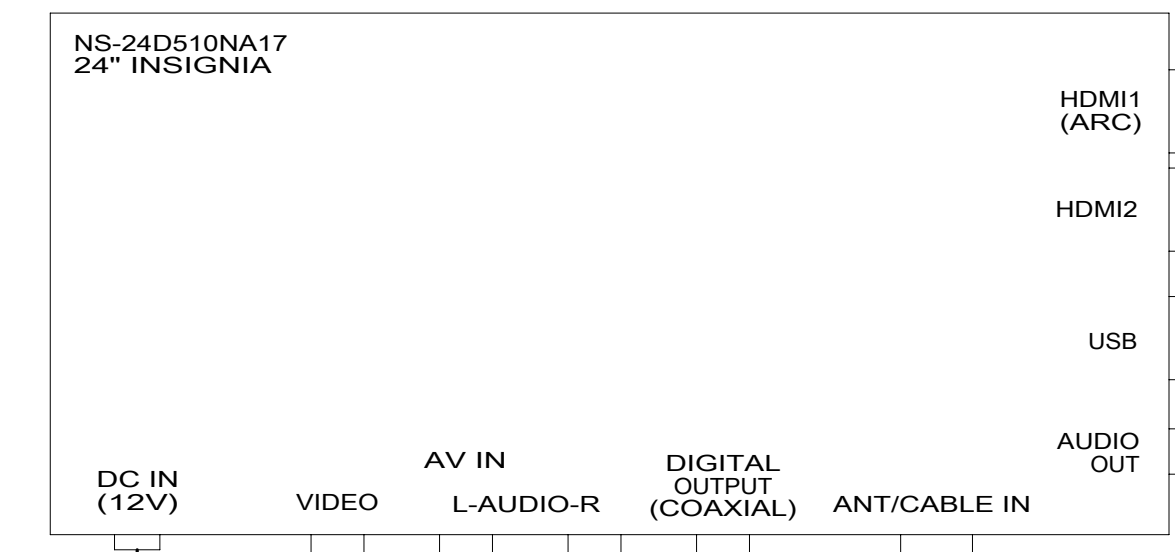
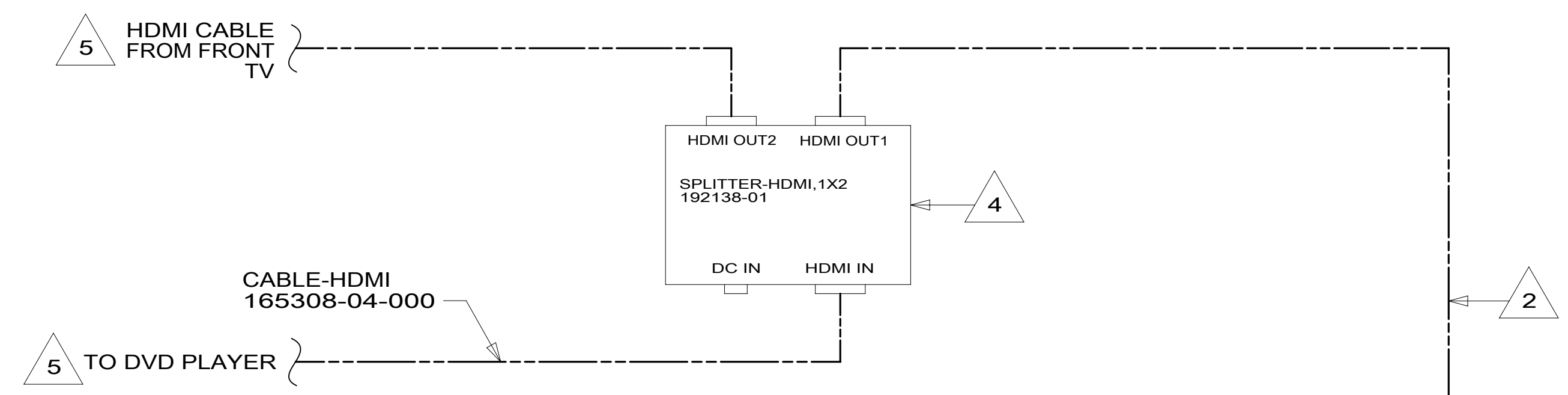
- 68T TV - BEDROOM WITHOUT
- 68X TV - BEDROOM
- 265 CODES/STANDARDS-CSA/CMVSS
- 1B1 CODES/STANDARDS USA

DESCRIPTION:		1B1 265	
<b>WIRING INSTL-TV/DVD</b>			
SHEET:	ITEM/PART NO.:	REV	
2 OF 5	000213654 / 30263401000		



TV-24" HDTV, 12 VDC  
000031269 / 316937-01-000  
CORD-POWER,12VDC  
191991-01-000

TIE-WIRE MOUNT  
155366-01-000  
TIE-WIRE  
0008343-04-000



- 68T TV - BEDROOM WITHOUT
- 68X TV - BEDROOM
- 265 CODES/STANDARDS-CSA/CMVSS
- 1B1 CODES/STANDARDS USA

- NOTES:
- 5 SEE SHEET 2 FOR ADDITIONAL INFORMATION.
  - 4 SEE SHEET 1 FOR ADDITIONAL INFORMATION.
  - 3 SEE WIRING INSTL-BODY,110V FOR ADDITIONAL INFORMATION.
  - 2 ROUTED WITH WIRE ASM-RIGHT.
  - 1 SEE WIRING INSTL-BODY,12V FOR ADDITIONAL INFORMATION.

FOR ELECTRICAL TORQUE SPECIFICATIONS SEE DWG NO. 128783-01-000

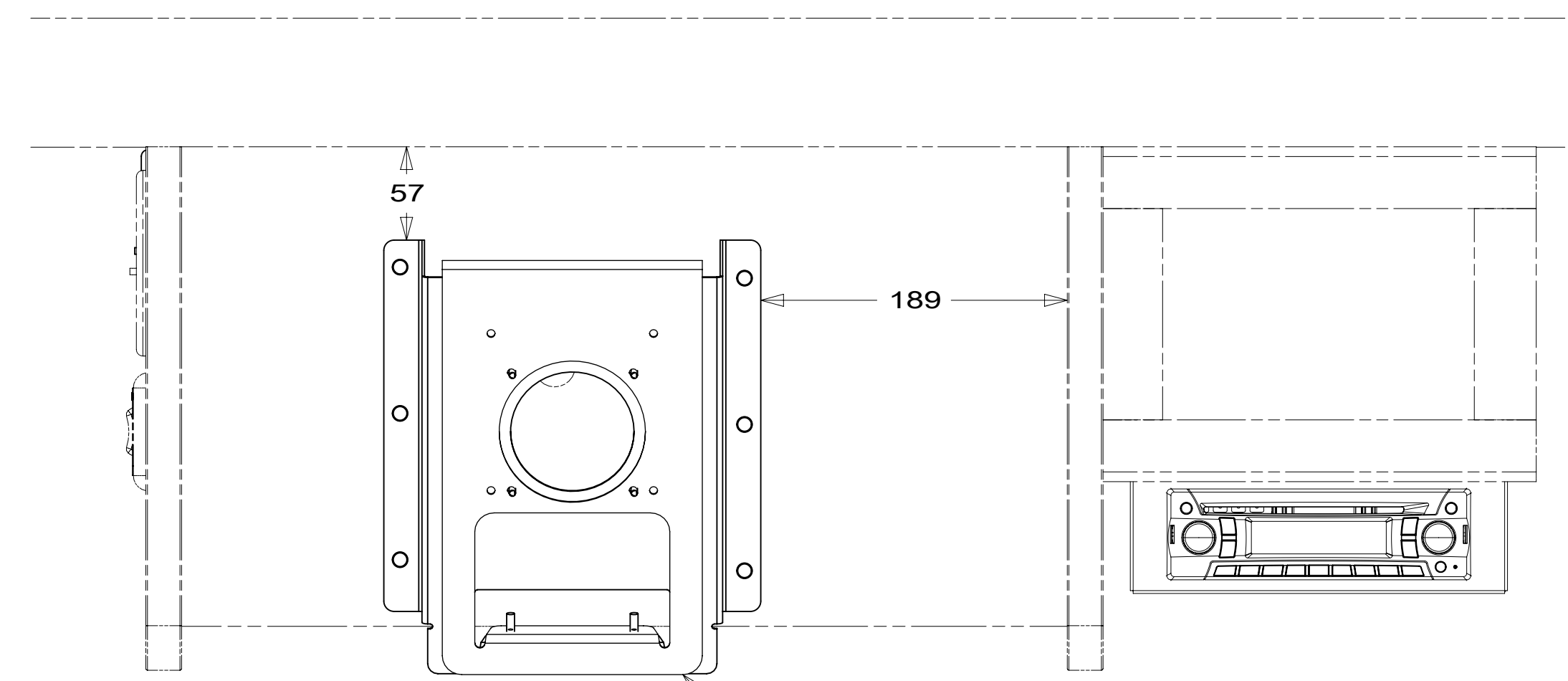
FOR ELECTRICAL CALLOUTS SEE DWG NO. 121339-01-000

DESCRIPTION: <b>WIRING INSTL-TV/DVD</b>		
SHEET: 3 OF 5	ITEM/PART NO: 000213654 / 30263401000	REV
1B1 265 68X		29-Mar-2017

8 7 6 5 4 3 2 1

D  
C  
B  
A

D  
C  
B  
A



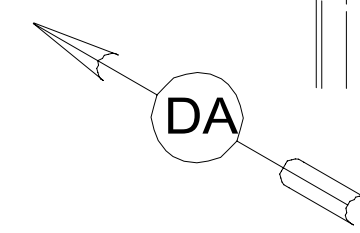
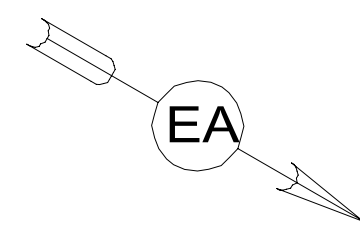
VIEW DA  
(TV NOT SHOWN)

- BRACKET-TV, 24"INSIGNIA 302683-01-CHT
- SCREW 000G39-10-16U (6)
- PLATE-MTNG, TV,24"INSIGNIA 302643-01-CHT
- SCREW 000G39-10-08U (2)

- RADIO-AM/FM/CD/DVD/RMT 302630-01-000
- BRACKET-DVD PLAYER 184814-02-CHT
- BRACKET-DVD PLAYER 187490-01-CHT
- SUPPORT-RADIO,REAR 181725-02-CHT
- SCREW 000G67-10-12U (6)
- SCREW 000G39-08-08U (4)

- TV-24" HDTV, 12 VDC 000031269 / 316937-01-000
- SCREW OMG02U-04-012 (4)
- WASHER OME02U-04-071 (4)
- CORD-POWER,12VDC 191991-01-000

- 1 ANTENNA POWER BOOST (REF)
- 1 TV SWITCH (REF)



FOR ELECTRICAL TORQUE SPECIFICATIONS SEE DWG NO. 128783-01-000

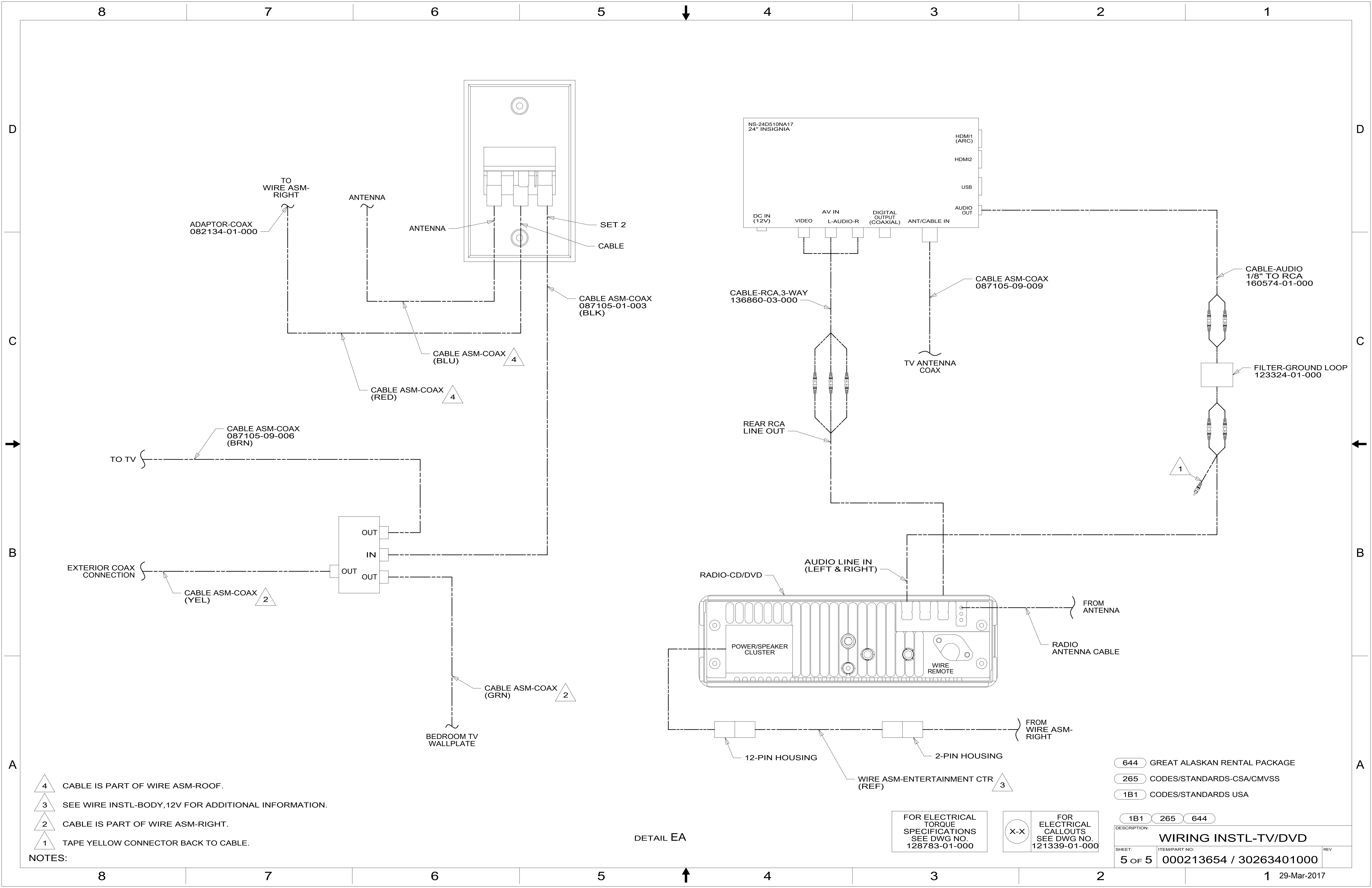
FOR ELECTRICAL CALLOUTS SEE DWG NO. 121339-01-000

- 644 GREAT ALASKAN RENTAL PACKAGE
- 265 CODES/STANDARDS-CSA/CMVSS
- 1B1 CODES/STANDARDS USA

DESCRIPTION:		
1B1 265 644		
WIRING INSTL-TV/DVD		
SHEET:	ITEM/PART NO.:	REV
4 OF 5	000213654 / 30263401000	

1 SEE WIRING INSTL-BODY, 12V FOR ADDITIONAL INFORMATION.

8 7 6 5 4 3 2 1



- NOTES:
- 4 CABLE IS PART OF WIRE ASM-ROOF.
  - 3 SEE WIRE INSTL-BODY, 12V FOR ADDITIONAL INFORMATION.
  - 2 CABLE IS PART OF WIRE ASM-RIGHT.
  - 1 TAPE YELLOW CONNECTOR BACK TO CABLE.

DETAIL EA

FOR ELECTRICAL TORQUE SPECIFICATIONS SEE DWG NO. 128783-01-000

FOR ELECTRICAL CALLOUTS SEE DWG NO. 121339-01-000

- 644 GREAT ALASKAN RENTAL PACKAGE
- 265 CODES/STANDARDS-CSA/CMVSS
- 1B1 CODES/STANDARDS USA

DESCRIPTION:	1B1 265 644	
<b>WIRING INSTL-TV/DVD</b>		
SHEET:	ITEM/PART NO.:	REV
5 OF 5	000213654 / 30263401000	