

- 5 MOUNT ANTENNA AND PLATE SUCH THAT BASE IS SQUARE WITH ROOF AND DIRECTLY OVER HOLE IN ROOF. SEAL BOTH HOLE IN ROOF AND ANTENNA BASE AT SCREWS.
- 4 SUPPLIED WITH CHASSIS. USE SHORTEST SUPPLIED ANTENNA.
- 3 ROUTE CABLE TO DASH RADIO.
- 2 ROUTE CABLE FROM RADIO TO PASSENGER'S STEPWELL AREA, UP WINGWALL, THROUGH SLEEPER BOARD ASM, UNDER TRIM TO ANTENNA PLATE ON ROOF.
- 1 REAR MONITOR CAMERA CABLE IS PART OF WIRE ASM-CHASSIS AND RUNS ALONG LEFT FRAME RAIL.

NOTES:

ANTENNA-SATELLITE RADIO (SUPPLIED WITH SXM RECEIVER)
 PLATE-SATELLITE RADIO
 177256-04-CHT
 SCREW
 G11-08-08U (4)
 SEAL

CABLE-MONITOR

WIRE ASM-MONITOR, 15' (REF)

CABLE-ANTENNA, SATELLITE (SUPPLIED WITH ANTENNA)

WIRE ASM-MONITOR (REF)

ANTENNA-RADIO

HOLE IN FLOOR

- 643 RENTAL-MILES DIXON
- 70D RADIO - SATELLITE SIRIUSXM
- 283 MIRRORS-UPGRADE W/CAMERA
- 265 CODES/STANDARDS-CSA/CMVSS
- 1B1 CODES/STANDARDS USA

1B1 265



DSNR:		ALL DIMENSIONS ARE IN MILLIMETERS	
DFFR:		MATERIAL:	
UNSPECIFIED TOLERANCES:			
WHOLE DIM (X)	: 3		
ONE-PLACE (X.X)	: 1.5		
TWO-PLACE (X.XX)	: 0.50		
ANGLE	: 1°		

REFER TO ES0018 FOR FASTENER TIGHTENING GUIDELINES

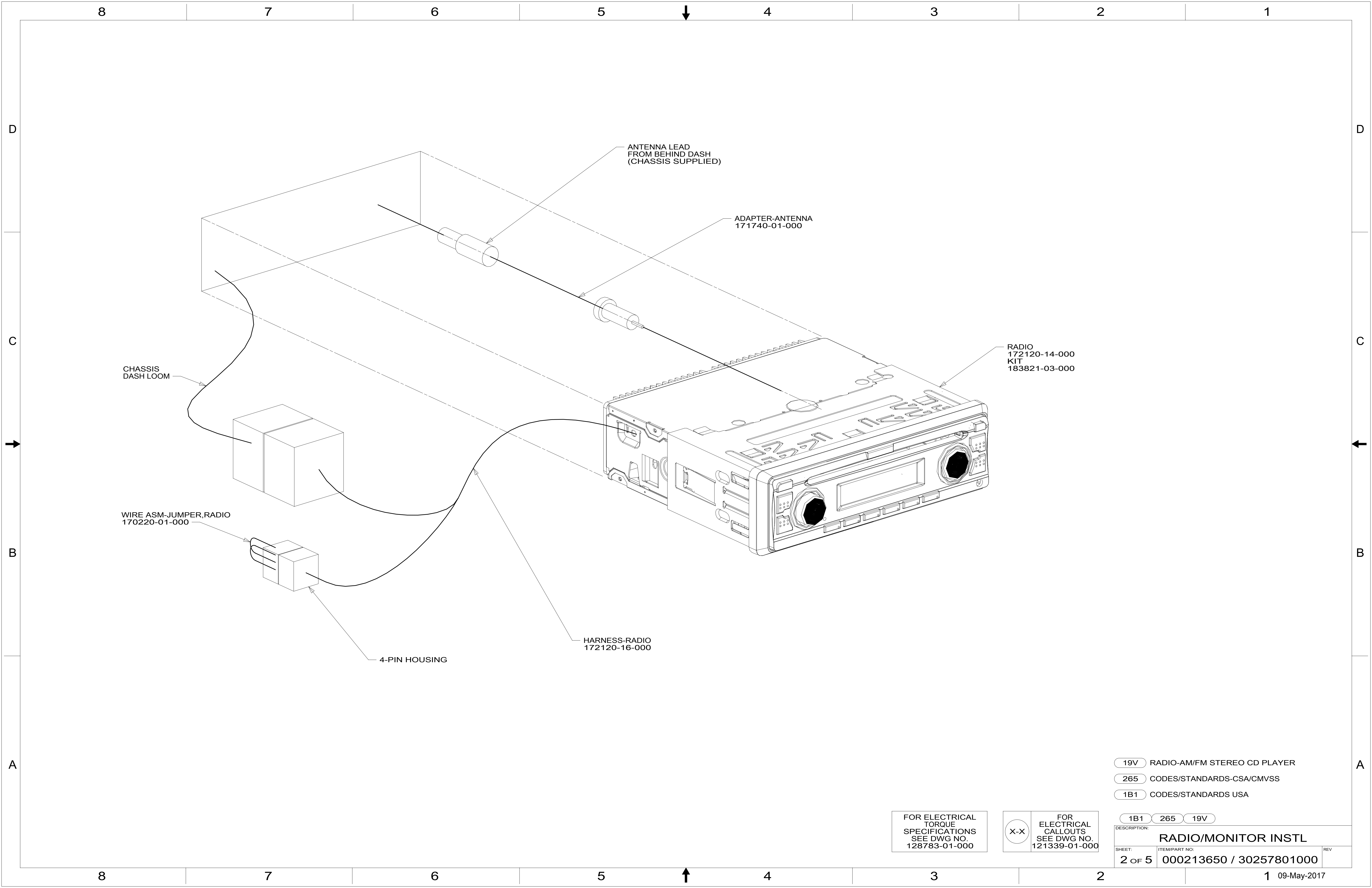
WEIGHT: (LBS) FIRST USED: 17 326A

FOR ELECTRICAL TORQUE SPECIFICATIONS SEE DWG NO. 128783-01-000

FOR ELECTRICAL CALLOUTS SEE DWG NO. 121339-01-000

DESCRIPTION: RADIO/MONITOR INSTL

SHEET: 1 OF 5 ITEM/PART NO.: 000213650 / 30257801000 REV:

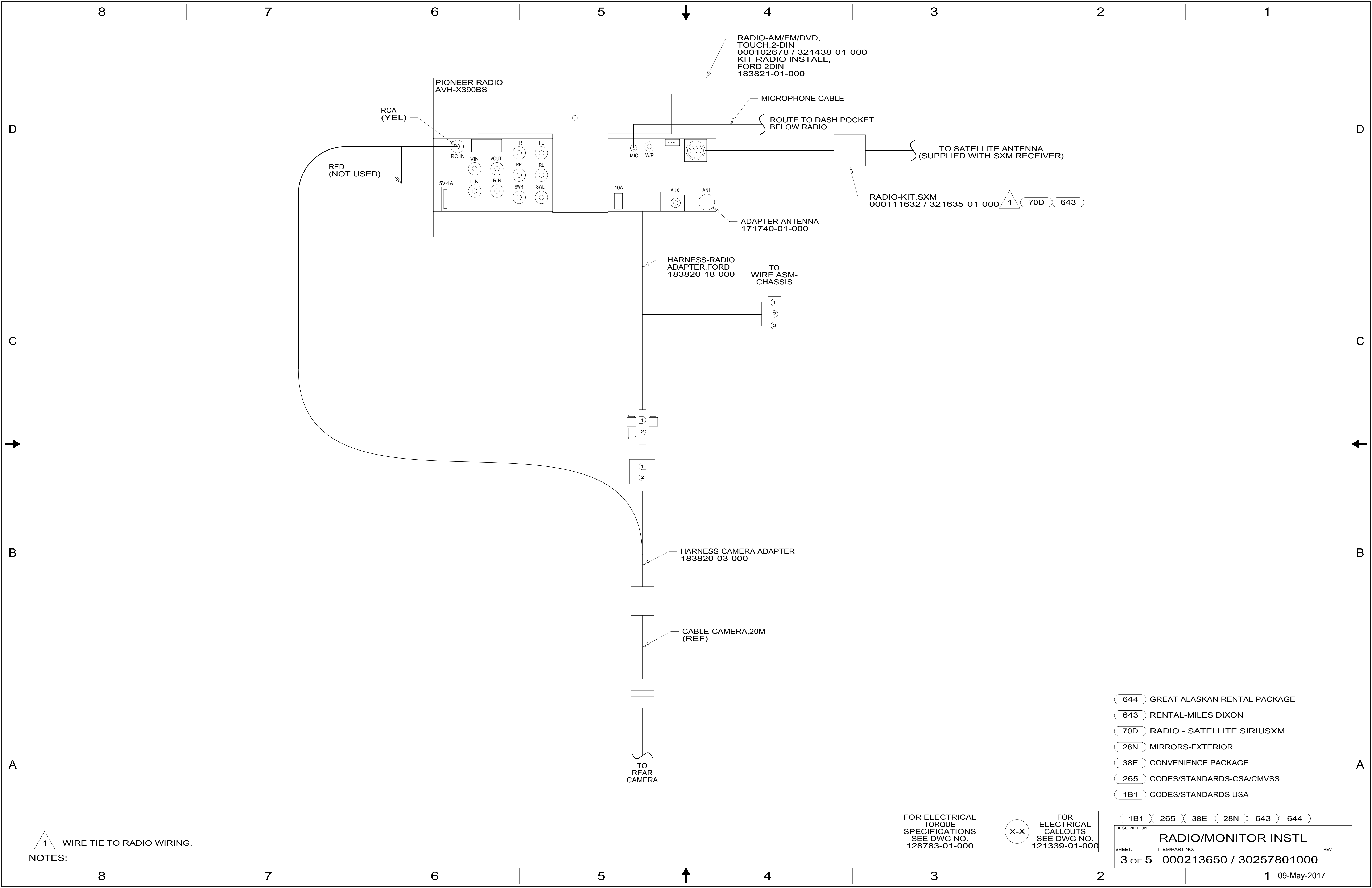


- 19V RADIO-AM/FM STEREO CD PLAYER
- 265 CODES/STANDARDS-CSA/CMVSS
- 1B1 CODES/STANDARDS USA

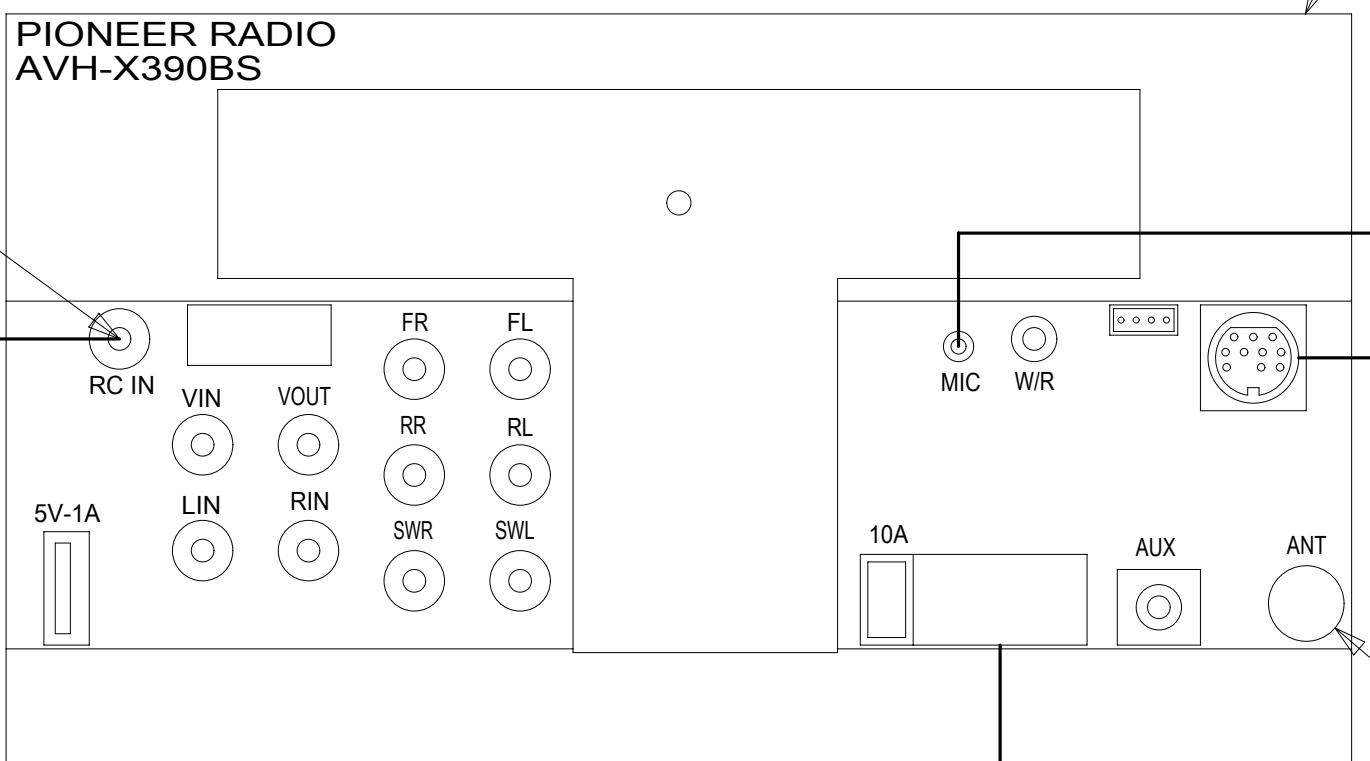
FOR ELECTRICAL TORQUE SPECIFICATIONS SEE DWG NO. 128783-01-000

FOR ELECTRICAL CALLOUTS SEE DWG NO. 121339-01-000

DESCRIPTION:	1B1 265 19V	
RADIO/MONITOR INSTL		
SHEET:	ITEM/PART NO:	REV
2 OF 5	000213650 / 30257801000	



RADIO-AM/FM/DVD,
TOUCH.2-DIN
000102678 / 321438-01-000
KIT-RADIO INSTALL,
FORD 2DIN
183821-01-000



MICROPHONE CABLE

ROUTE TO DASH POCKET
BELOW RADIO

TO SATELLITE ANTENNA
(SUPPLIED WITH SXM RECEIVER)

RADIO-KIT.SXM
000111632 / 321635-01-000

ADAPTER-ANTENNA
171740-01-000

HARNESS-RADIO
ADAPTER,FORD
183820-18-000

TO
WIRE ASM-
CHASSIS

HARNESS-CAMERA ADAPTER
183820-03-000

CABLE-CAMERA,20M
(REF)

TO
REAR
CAMERA

RED
(NOT USED)

RCA
(YEL)

- 644 GREAT ALASKAN RENTAL PACKAGE
- 643 RENTAL-MILES DIXON
- 70D RADIO - SATELLITE SIRIUSXM
- 28N MIRRORS-EXTERIOR
- 38E CONVENIENCE PACKAGE
- 265 CODES/STANDARDS-CSA/CMVSS
- 1B1 CODES/STANDARDS USA

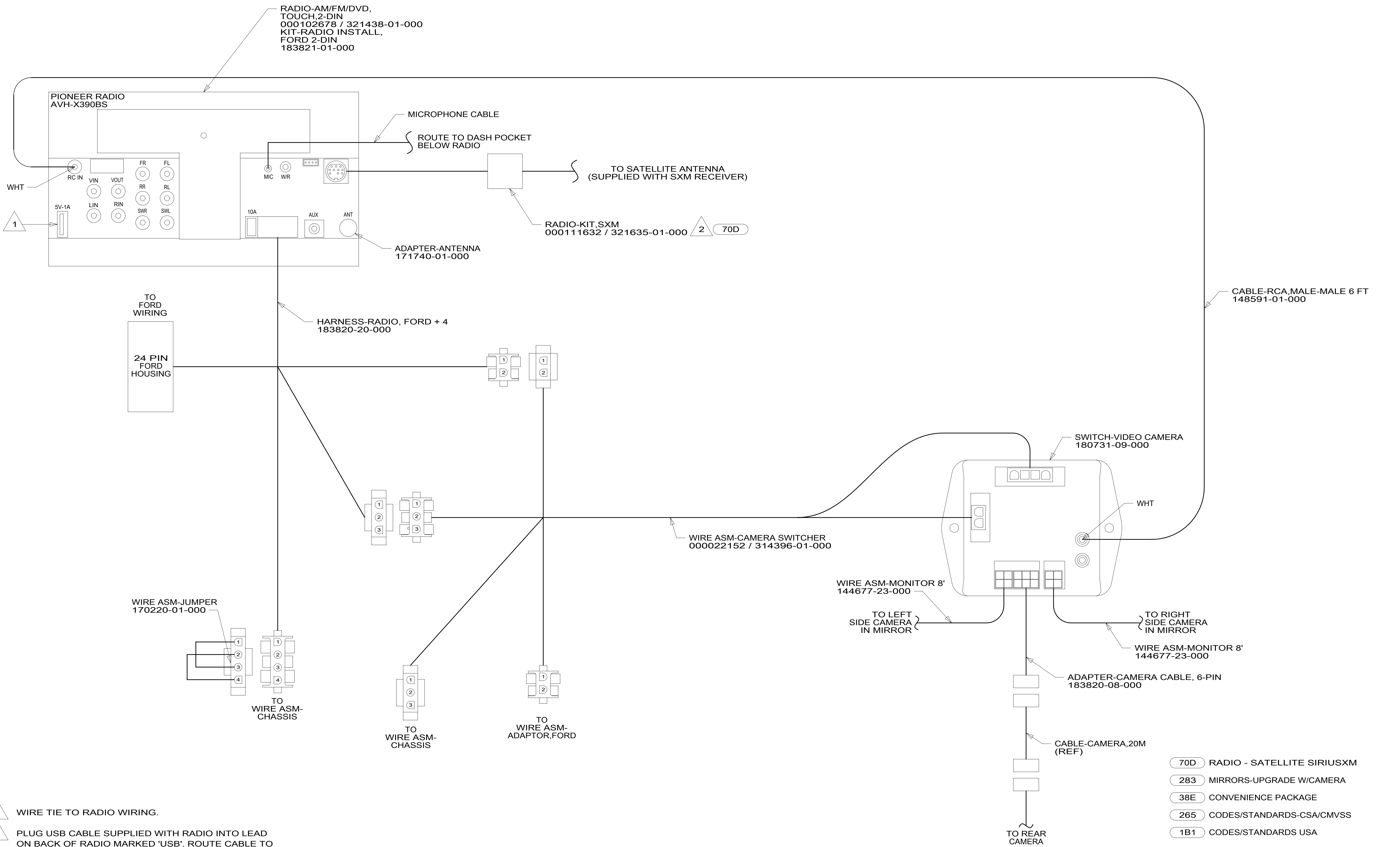
1B1 265 38E 28N 643 644

FOR ELECTRICAL
TORQUE
SPECIFICATIONS
SEE DWG NO.
128783-01-000

FOR
ELECTRICAL
CALLOUTS
SEE DWG NO.
121339-01-000

DESCRIPTION: RADIO/MONITOR INSTL		
SHEET: 3 OF 5	ITEM/PART NO: 000213650 / 30257801000	REV

NOTES:
1 WIRE TIE TO RADIO WIRING.



NOTES:

2 WIRE TIE TO RADIO WIRING.

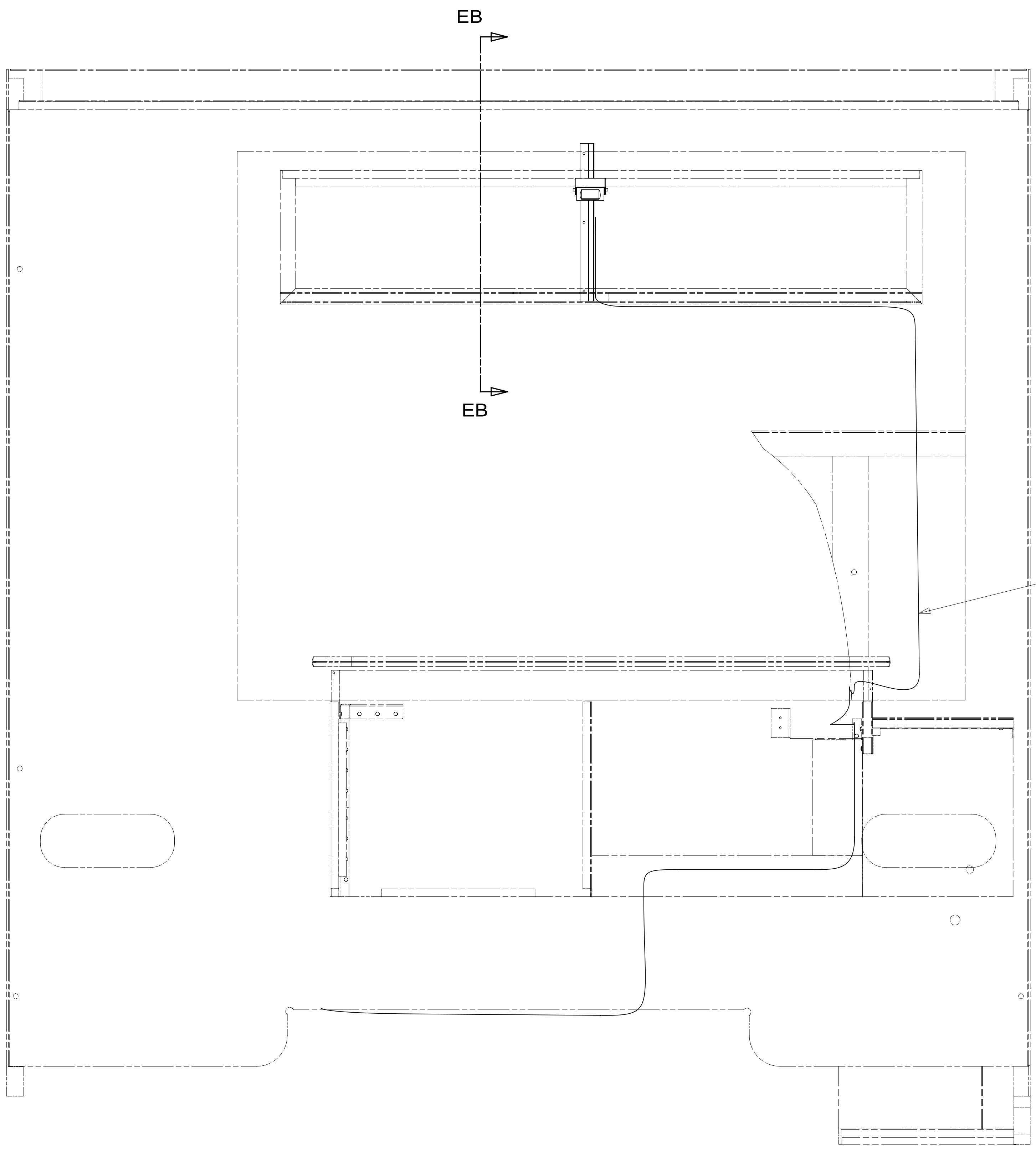
1 PLUG USB CABLE SUPPLIED WITH RADIO INTO LEAD ON BACK OF RADIO MARKED 'USB'. ROUTE CABLE TO THE LEFT OF RADIO. WIRE TIE EXCESS CABLE UNDER DASH IN THE AREA LEFT OF THE RADIO. LEAVE 200 MM OF CABLE IN THE MOTOR COVER BEVERAGE TRAY. MAKE SURE CABLE DOES NOT GET PINCHED BY MOTOR COVER.

FOR ELECTRICAL TORQUE SPECIFICATIONS SEE DWG NO. 128783-01-000	FOR ELECTRICAL CALLOUTS SEE DWG NO. 121339-01-000	70D RADIO - SATELLITE SIRIUSXM 283 MIRRORS-UPGRADE W/CAMERA 38E CONVENIENCE PACKAGE 265 CODES/STANDARDS-CSA/CMVSS 1B1 CODES/STANDARDS USA
DESCRIPTION:		1B1 265 38E 283
SHEET: 4 OF 5		ITEM/PART NO.: 000213650 / 30257801000
REV		1 09-May-2017

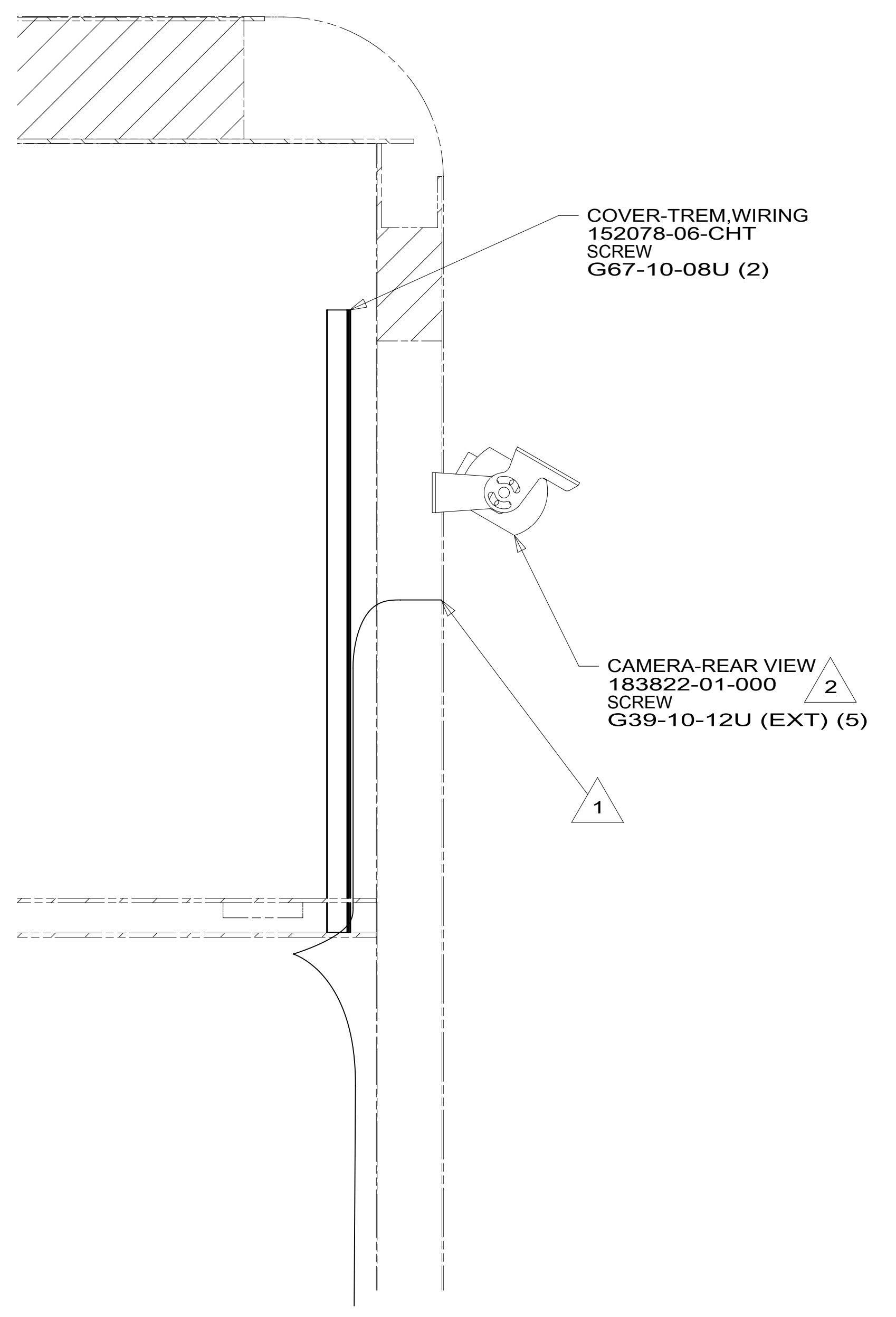
8 7 6 5 4 3 2 1

D
C
B
A

D
C
B
A



CABLE-MONITOR/CAMERA (REF) 3



SECTION EB-EB 38E 643

- NOTES:
- 3 MONITOR CABLE IS PART OF WIRE ASM-CHASSIS.
 - 2 LEAVE CAMERA CABLE IN BOTTOM OF OVHD CABT WITHOUT 38E
 - 1 CABLE ROUTED THRU BACKWALL.

FOR ELECTRICAL TORQUE SPECIFICATIONS SEE DWG NO. 128783-01-000

FOR ELECTRICAL CALLOUTS SEE DWG NO. 121339-01-000

- 643 RENTAL-MILES DIXON
- 38E CONVENIENCE PACKAGE
- 265 CODES/STANDARDS-CSA/CMVSS
- 1B1 CODES/STANDARDS USA

DESCRIPTION: RADIO/MONITOR INSTL		REV
SHEET: 5 OF 5	ITEM/PART NO: 000213650 / 30257801000	

8 7 6 5 4 3 2 1 09-May-2017