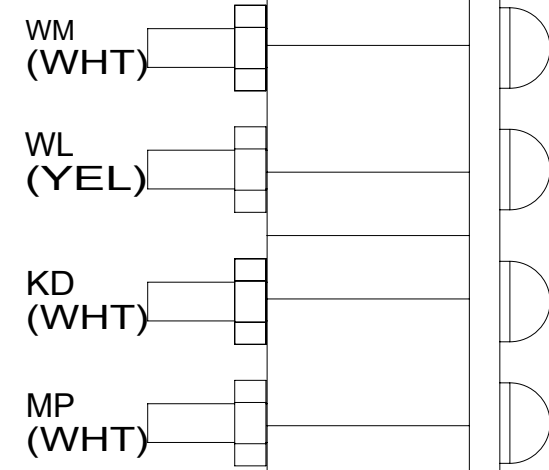


DETAIL AC

THIS SIDE POINTED TO TOP OF DOOR



DETAIL AB

MODULE-TPMS  
000028270 / 316211-01-000  
SCREW  
000G11-12-20U (2)  
CABLE ASM-TPMS MODULE  
000029306 / 316431-01-000

12 CABLE-MONITOR  
180731-02-000

571 SPEAKER  
171547-01-CHT (2)  
SCREW  
G11-08-20U (8)  
SPEAKER  
000020426 / 314044-01-000 (3)  
SCREW  
G11-08-20U (12)

36C MOBILEYE 560  
314187-01-000  
(DETAIL JA)

FILTER-NOISE,12V  
128074-02-000

WIRE ASM-IP,MAIN  
302789-01-000

SWITCHES  
DETAIL DB

CLAMP  
010497-02-000

6 & 2 PIN HOUSING  
TO LEFT MIRROR  
10 CABLE-MONITOR  
180731-03-000

15 SWITCH-  
GENERATOR SLIDE  
108357-06-000  
ACTUATOR  
108356-01-000

BRACKET-RELAY PANEL  
145448-01-CHT  
SCREW  
G67-10-08U (4)

12V BREAKER PANEL  
DETAIL CA

DOOR ASM  
145066-03-CHT  
SCREW  
G67-06-10U (6)  
SCREW  
G67-10-08U (4)

CAMERA SWITCHER  
(ON FLOOR BEHIND METAL PANEL)

3 5 RADIO ANTENNA WIRE

DETAIL FA  
AMPLIFIER  
193630-02-000  
SCREW  
G39-10-08U (4)  
WIRE ASM-AMP  
194217-01-000  
194217-02-000  
194217-03-000

11 57P 2 PIN HSG TO  
CLEARANCE LIGHTS

RADIO-KIT,SXM  
000111632 / 321635-01-000

14 70D

(6) BUTT SPLICES  
TO SUNVISOR  
HHK-BLK  
HHL-BLK/GRY  
HHM-BLK  
HHN-BLK/GRY  
JJX-BRN (2)

SOLAR SHADE  
NIGHT SHADE

LIGHT-TAPE,LED,  
DIFFUSED  
190025-68-CHT

TO REAR CAMERA  
DETAIL AA 13

6 PIN HOUSING  
TO WIRE ASM-ROOF

GROMMET  
088756-01-000

CABLE-MONITOR  
180731-03-000 10 9

TO DOOR  
CONTACT PLATE  
DETAIL AB

DETAIL EB

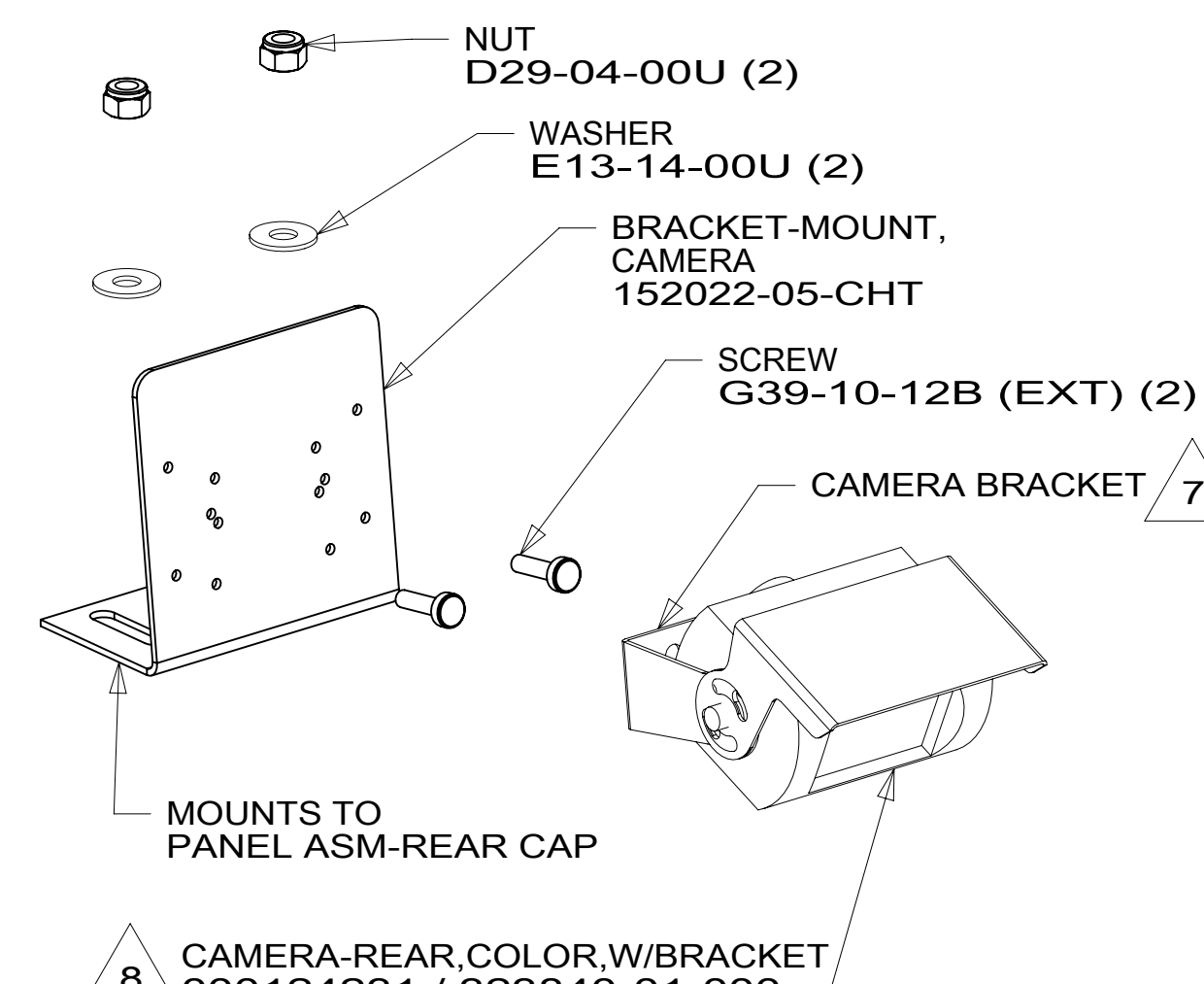
RECEPTACLE-12V  
111414-01-000  
DETAIL AC

WIRE ASM-  
OVHD.FRONT  
000005701 / 312358-01-000

BOX ASM-SPEAKER  
193358-01-XXX  
SCREW  
G11-10-16U (4)  
SPEAKER-8"  
193633-01-000  
WIRE ASM-PIGTAIL  
193633-04-000  
SCREW  
G11-10-12U (4)  
GRILL  
193633-03-000  
PLATE-SPEAKER  
194221-01-000 (2)  
SCREW  
G11-08-08U (8)  
SEAL  
185989-07-CHT  
(360 MM) (2)  
SCREW  
G11-10-12U (4)

GROMMET  
071015-45-000

PANEL ASM  
145063-09-CHT  
SCREW  
G67-06-10U (6)



DETAIL AA

- 38M TIRE MONITORING SYSTEM
- 571 RADIO SPEAKERS
- 57P RADIO SPEAKERS-PREMIUM SOUND
- 36C COLLISION AVOIDANCE SYSTEM
- 70D RADIO - SATELLITE SIRIUSXM
- 265 CODES/STANDARDS-CSA/CMVSS
- 1B1 CODES/STANDARDS USA

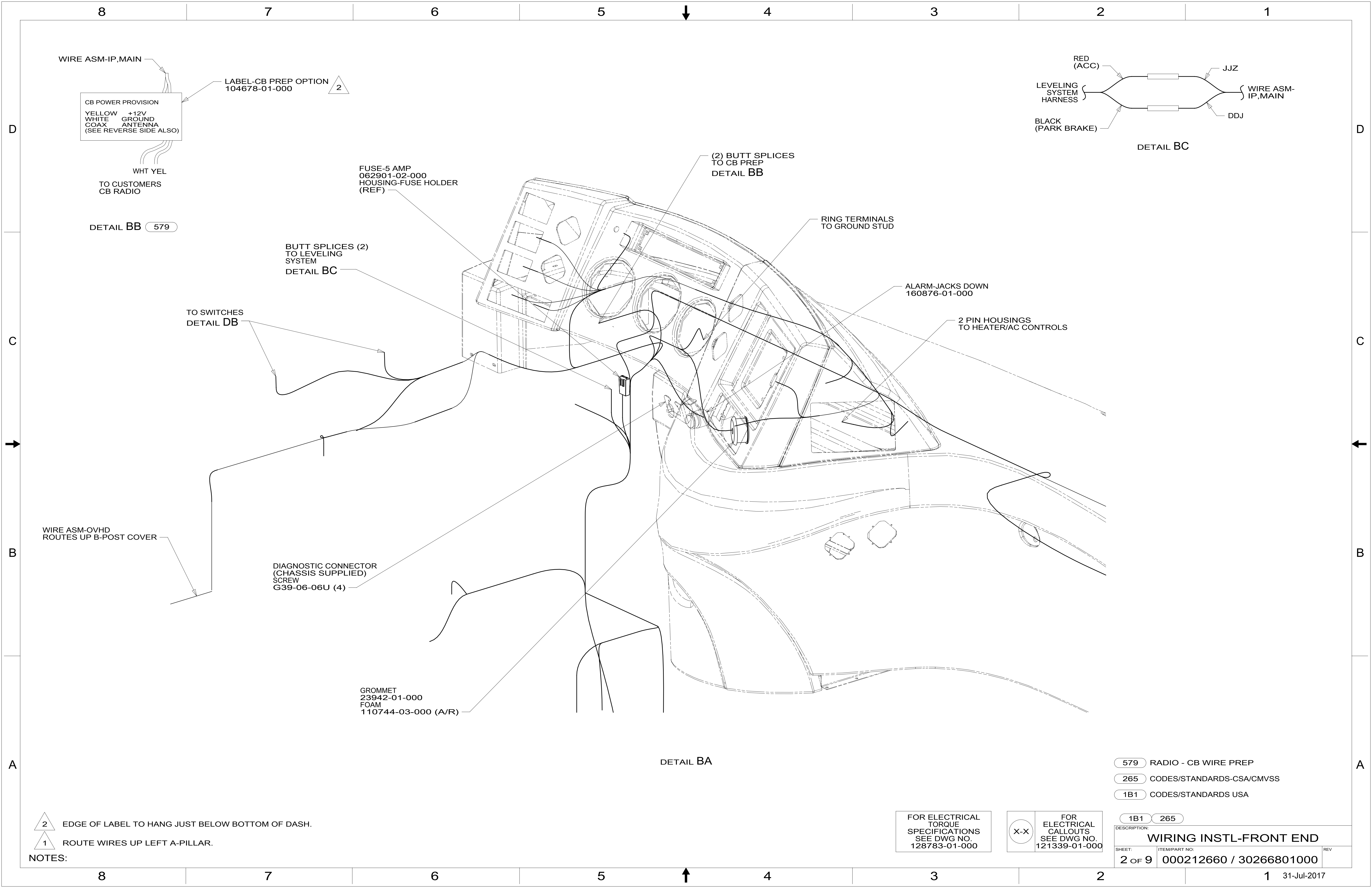
**WINNEBAGO**  
COPYRIGHT 2016 WINNEBAGO INDUSTRIES, INC.

DSNR:	ALL DIMENSIONS ARE IN MILLIMETERS	
DIFR:	MATERIAL:	
UNSPECIFIED TOLERANCES:		
WHOLE DIM (X) :	3	
ONE-PLACE (X.X) :	1.5	
TWO-PLACE (X.XX) :	0.50	
ANGLE :	1°	
REFER TO ES0018 FOR FASTENER TIGHTENING GUIDELINES	WEIGHT: (LBS)	FIRST USED: <b>17 RL-SER</b>
<b>DESCRIPTION:</b> <b>WIRING INSTL-FRONT END</b>		
SHEET: <b>1 OF 9</b>	ITEM/PART NO: <b>000212660 / 30266801000</b>	REV

- NOTES:
1. SEE WIRING INSTL-CHASSIS FOR ADDITIONAL INFORMATION.
  2. USE SEAL-TRIM 113452-01-000 TO PROTECT WIRES FROM SHARP EDGES.
  3. CABLE SUPPLIED WITH SATELLITE RADIO RECEIVER. PLUG INTO BACK OF RADIO & TIE TO IP,MAIN. ROUTE UP A-POST WITH RADIO ANTENNA WIRE.
  4. APPLY FOAM TAPE TO BOTTOM OF FAN TO SEAL FAN TO PANEL.
  5. SEE ANTENNA INST-RADIO & CB FOR ADDITIONAL INFO.
  6. USE TAPE 8363-03-000 TO SECURE WIRES IN A-POST.
  7. PARTS SUPPLIED WITH REAR CAMERA.
  8. ALIGN CAMERA IN CENTER OF SHROUD OPENING AND ADJUST SO BACKWALL IS JUST VISIBLE.
  9. ROUTE CABLE TO EXTERIOR THRU HOLE IN PANEL ALONG WITH HEATER WIRING TO RIGHT CAMERA.
  10. ROUTE CABLE TO EXTERIOR MIRRORS. CAMERA IS IN MIRROR.
  11. CONNECT 2-12 PIN HSGS TO EACH OTHER WITHOUT 57P
  12. ROUTE UP A-POST TO RUN THRU ROOF.
  13. RUN CABLE THRU LEFT HAND COVE TO FRONT OF UNIT AND DOWN LEFT A-POST TO MONITOR.
  14. WIRE TIE SAT TUNER TO DASH RADIO WIRING.
  15. SWITCH MOUNTS IN GENERATOR TRAY RELEASE HANDLE. SEE GENERATOR INSTL FOR ADDITIONAL INFORMATION.

FOR ELECTRICAL  
TORQUE  
SPECIFICATIONS  
SEE DWG NO.  
128783-01-000

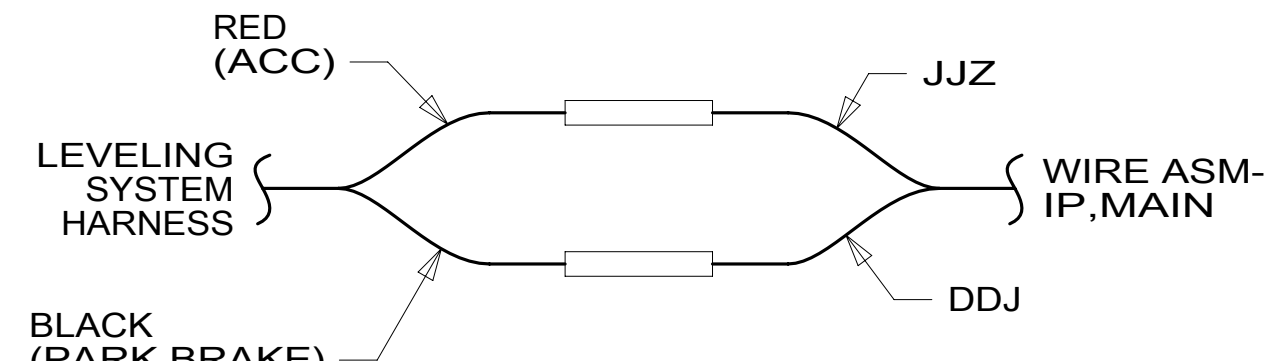
FOR ELECTRICAL  
CALLOUTS  
SEE DWG NO.  
121339-01-000



WIRE ASM-IP,MAIN

CB POWER PROVISION  
 YELLOW +12V  
 WHITE GROUND  
 COAX ANTENNA  
 (SEE REVERSE SIDE ALSO)

LABEL-CB PREP OPTION  
 104678-01-000



DETAIL BC

WHT YEL  
 TO CUSTOMERS  
 CB RADIO

FUSE-5 AMP  
 062901-02-000  
 HOUSING-FUSE HOLDER  
 (REF)

(2) BUTT SPLICES  
 TO CB PREP  
 DETAIL BB

DETAIL BB 579

RING TERMINALS  
 TO GROUND STUD

BUTT SPLICES (2)  
 TO LEVELING  
 SYSTEM  
 DETAIL BC

ALARM-JACKS DOWN  
 160876-01-000

TO SWITCHES  
 DETAIL DB

2 PIN HOUSINGS  
 TO HEATER/AC CONTROLS

WIRE ASM-OVHD  
 ROUTES UP B-POST COVER

DIAGNOSTIC CONNECTOR  
 (CHASSIS SUPPLIED)  
 SCREW  
 G39-06-06U (4)

GROMMET  
 23942-01-000  
 FOAM  
 110744-03-000 (A/R)

DETAIL BA

- 579 RADIO - CB WIRE PREP
- 265 CODES/STANDARDS-CSA/CMVSS
- 1B1 CODES/STANDARDS USA

- NOTES:
- 2 EDGE OF LABEL TO HANG JUST BELOW BOTTOM OF DASH.
  - 1 ROUTE WIRES UP LEFT A-PILLAR.

FOR ELECTRICAL  
 TORQUE  
 SPECIFICATIONS  
 SEE DWG NO.  
 128783-01-000

FOR ELECTRICAL  
 CALLOUTS  
 SEE DWG NO.  
 121339-01-000

DESCRIPTION:	
<b>WIRING INSTL-FRONT END</b>	
SHEET:	ITEM/PART NO:
2 OF 9	000212660 / 30266801000
REV	

HEADLAMP MODULE  
(CHASSIS SUPPLIED)  
SCREW  
G1108-08U (2)

GROMMET  
23942-01-000  
SEAL

BRACKET-MOUNTING  
118571-07-000 (2)  
SCREW  
G19-10-08U (4)

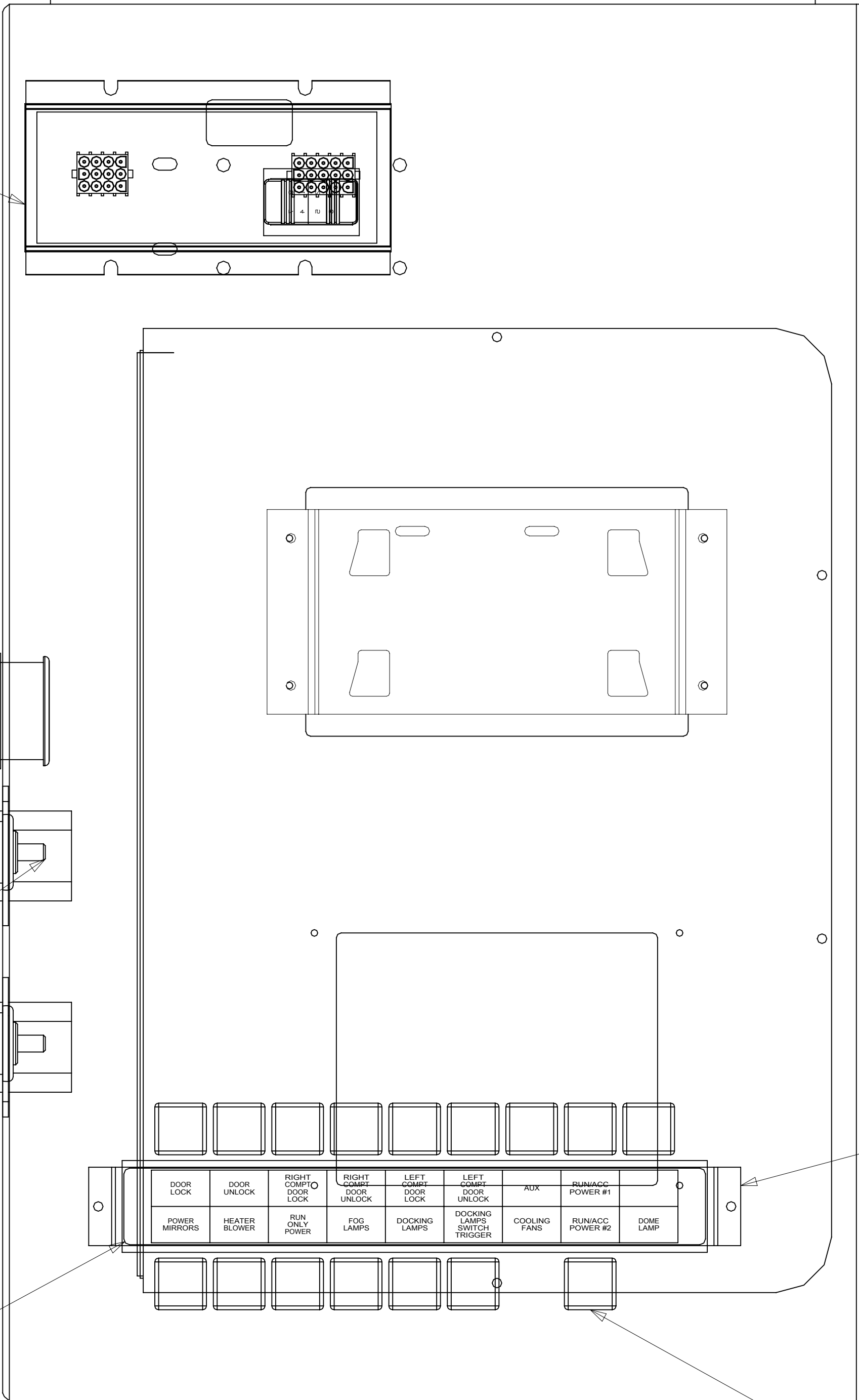
CHASSIS POWER

(2) 6 GA WIRES  
FROM WIRE ASM-IP,MAIN

COACH POWER

STUD-FEED THRU  
118499-01-000 (2)

LABEL  
136161-06-CHT



VIEW CB  
(WITH COVER REMOVED) 3

RELAY  
63912-02-000 (16)  
SCREW  
G11-08-08U (16)

BRACKET  
136120-02-CHT  
SCREW  
G11-08-08U (2)

BUSS BAR  
141744-03-000

BUSS BAR  
141744-02-000

6  
BLK

BUSS BAR  
141744-01-000

6  
BLK

BUSS BAR  
141744-01-000

DETAIL CA  
(BACK VIEW) 1

DDG

CIRCUIT BREAKER-15 AMP  
93654-02-000 (4)  
SCREW  
G52-06-04U (4)

CIRCUIT BREAKER-10 AMP  
093654-05-000  
SCREW  
G52-06-04U

CIRCUIT BREAKER-20 AMP  
93654-03-000 (2)  
SCREW  
G52-06-04U (2)

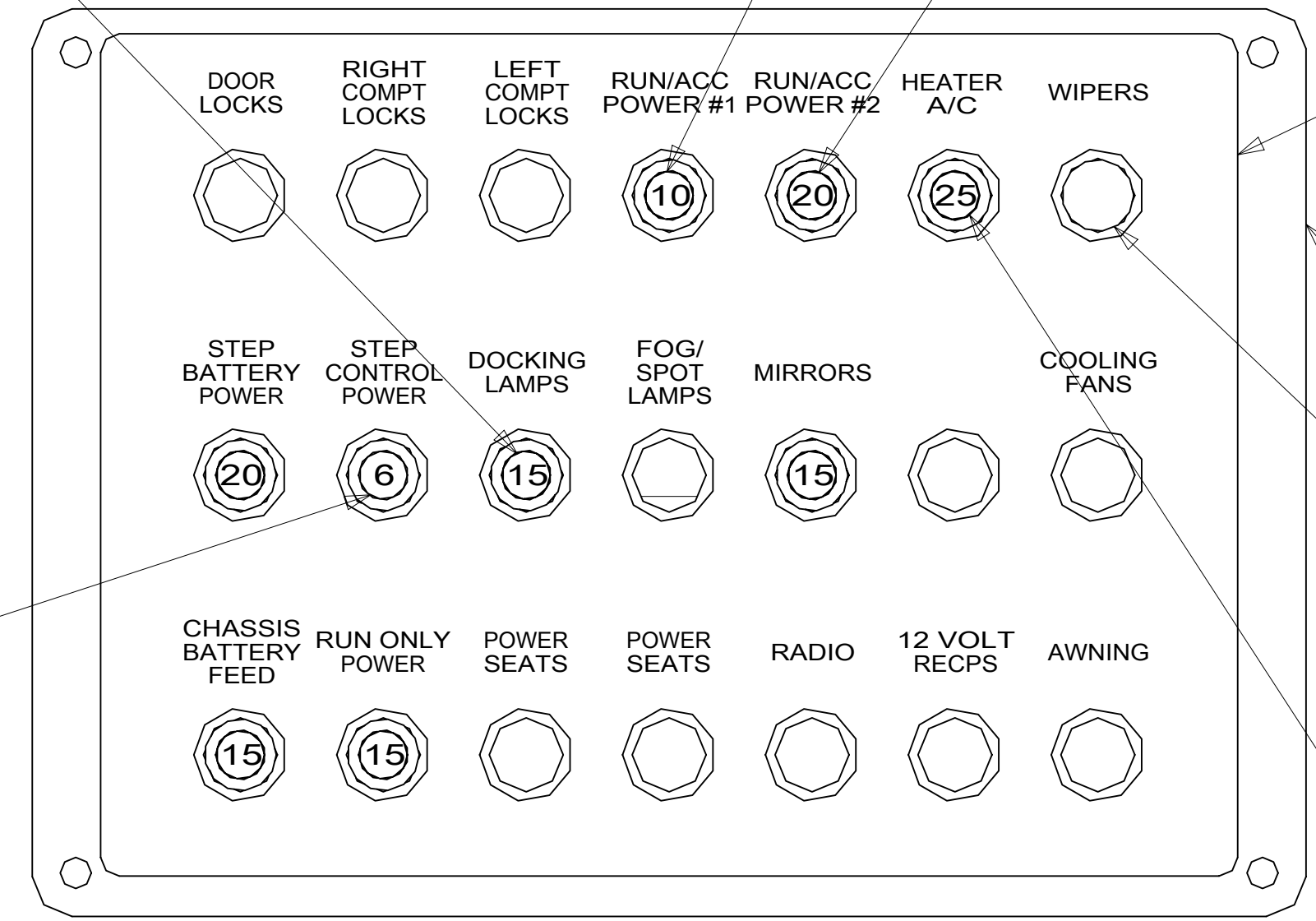
CIRCUIT BREAKER-6 AMP  
93654-01-000  
SCREW  
G52-06-04U

LABEL-CIRCUIT  
BREAKER-MAIN  
93236-80-000

PLATE-CIRCUIT BREAKER  
139067-07-CHT  
SCREW  
G11-08-08U (4)

BREAKER-SELF  
RESET, 20 AMP  
182283-01-000  
SCREW  
G52-06-04U

CIRCUIT BREAKER-25 AMP  
93655-01-000  
SCREW  
G52-06-04U (2)



DETAIL CA  
(FRONT VIEW)

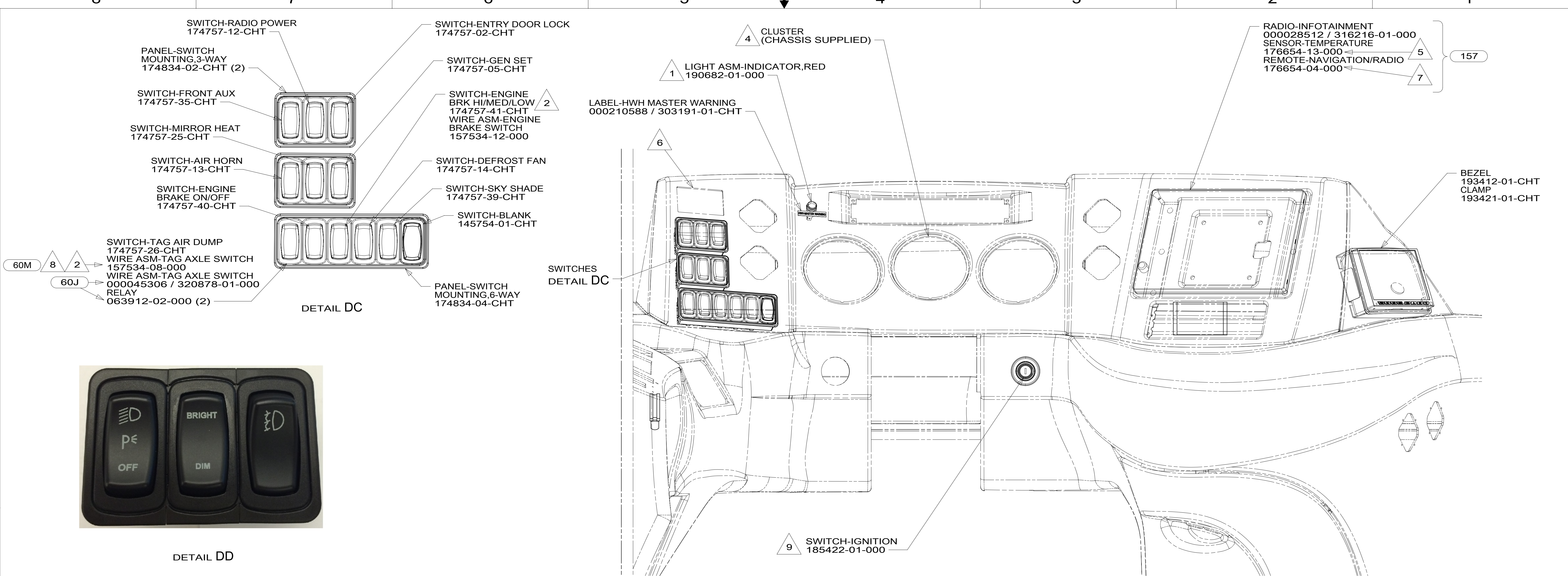
- NOTES:
- 3 SEAL ALL SCREWS ON EXTERIOR SIDE OF COMPARTMENT. REFER TO SEALANT MANUAL.
  - 2 FROM WIRE ASM-WIPER.
  - 1 CIRCUITS LABELED ON BREAKER ARE FROM WIRE ASM-IP, MAIN, UNLESS OTHERWISE SPECIFIED.

265 CODES/STANDARDS-CSA/CMVSS  
1B1 CODES/STANDARDS USA

FOR ELECTRICAL  
TORQUE  
SPECIFICATIONS  
SEE DWG NO.  
128783-01-000

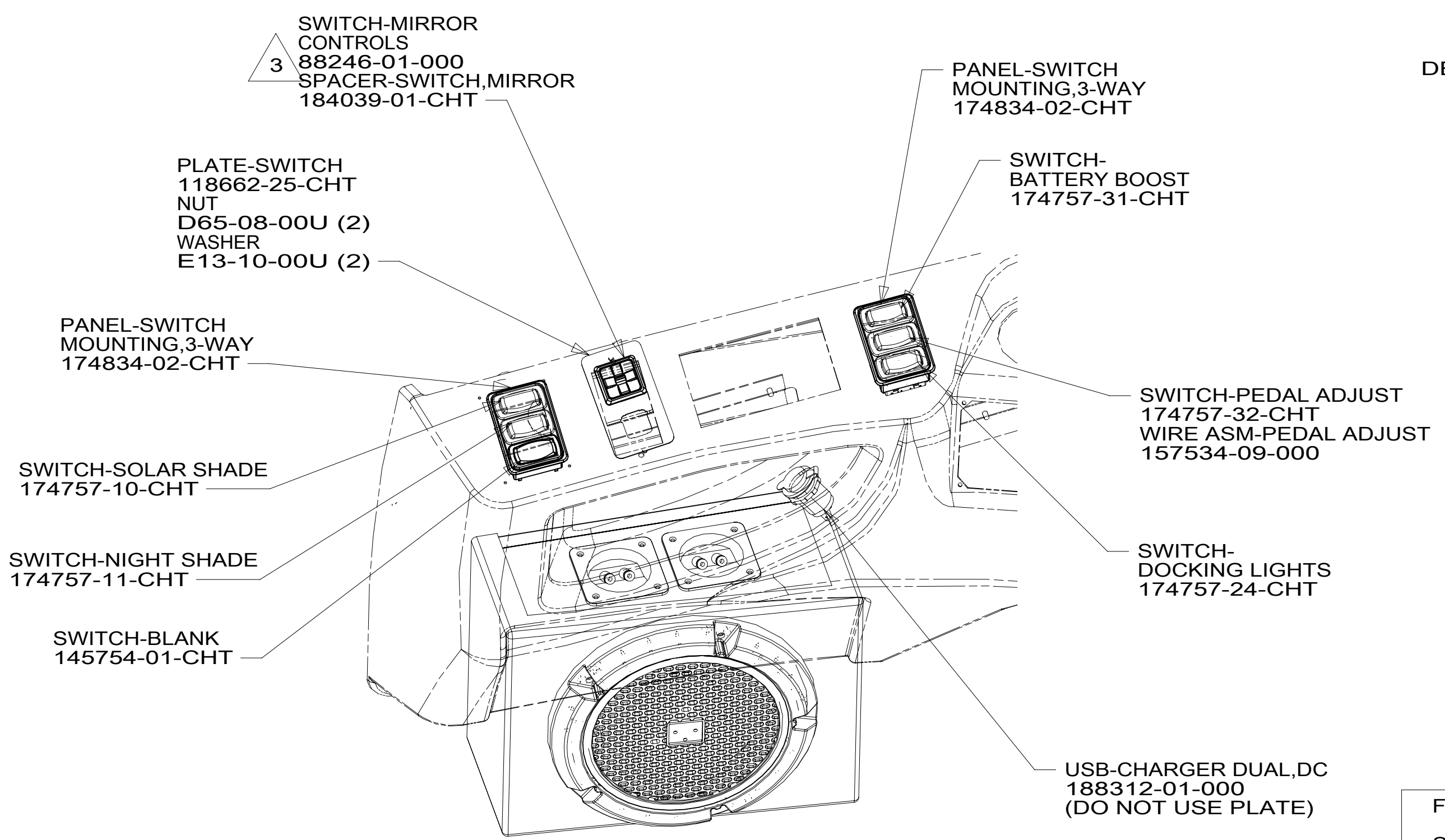
X-X  
FOR ELECTRICAL  
CALLOUTS  
SEE DWG NO.  
121339-01-000

DESCRIPTION:	1B1 265	
<b>WIRING INSTL-FRONT END</b>		
SHEET:	ITEM/PART NO:	REV
3 OF 9	000212660 / 30266801000	



DETAIL DD

- NOTES:**
- 9 REPLACE CHASSIS SUPPLIED IGNITION SWITCH.
  - 8 NOT USED WITH 60J
  - 7 TO BE SUPPLIED LOOSE IN WINNEBAGO OWNERS CASE.
  - 6 CHASSIS SUPPLIED ROCKER SWITCHES.  
DOME LAMP SWITCH NOT USED. SEE DETAIL DD FOR SWITCH POSITION.
  - 5 ROUTE TEMP SENSOR THRU HOLE IN BULKHEAD TO BRACKET (SEE SHT 7).
  - 4 SEE DETAIL EA FOR GAUGE PLACEMENT.
  - 3 MOUNT SWITCH SO WHEN ACTUATOR IS PUSHED LEFT, THE LETTER L IS SHOWING.
  - 2 CONNECT TO MATING LABELED CONNECTOR ON CHASSIS SUPPLIED WIRING.
  - 1 CONNECT POSITIVE WIRE TO TERMINAL MARKED WITH A "RED", YEL-WINNEBAGO WIRING



DETAIL DA

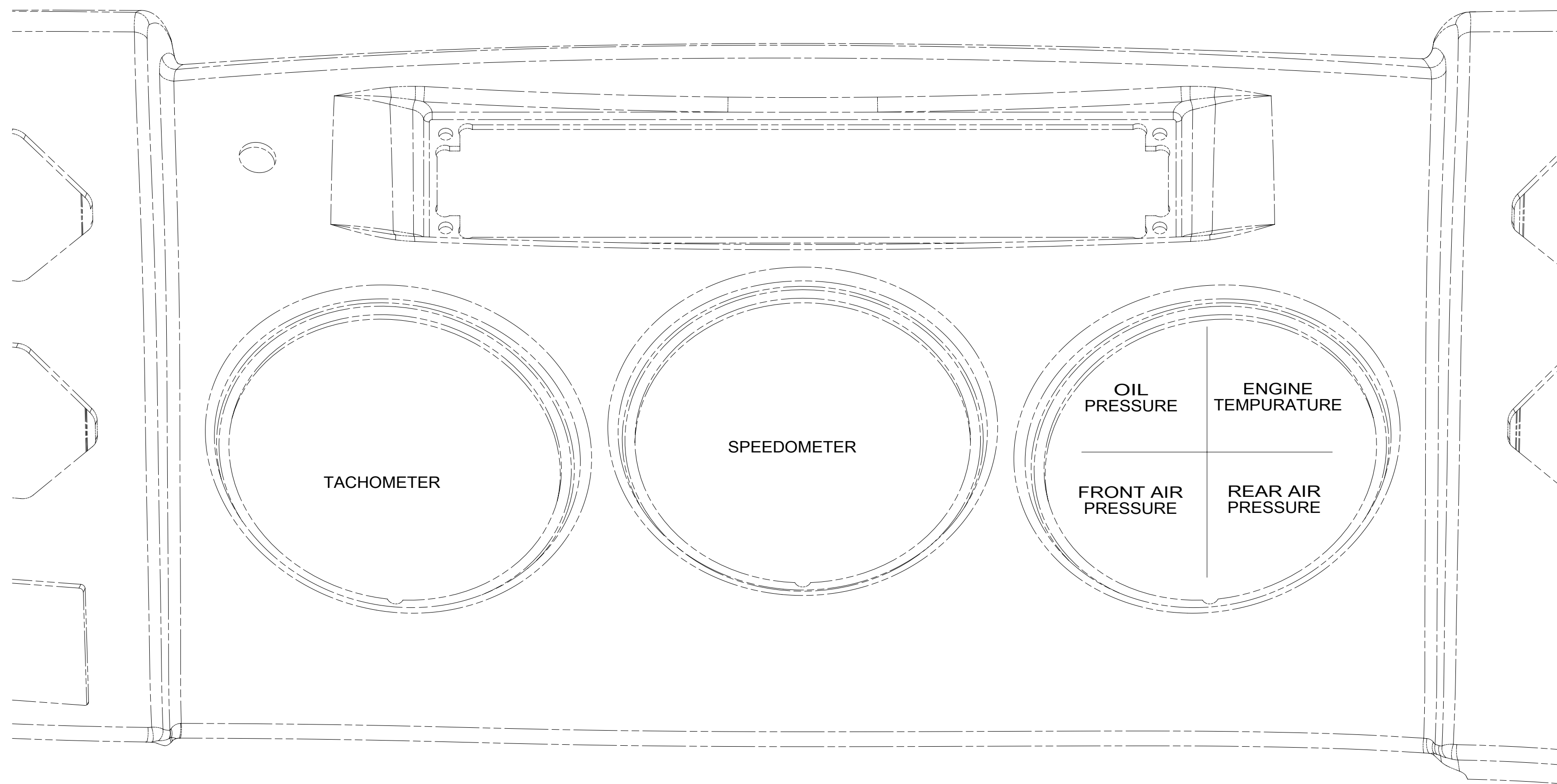
DETAIL DB

FOR ELECTRICAL TORQUE SPECIFICATIONS SEE DWG NO. 128783-01-000

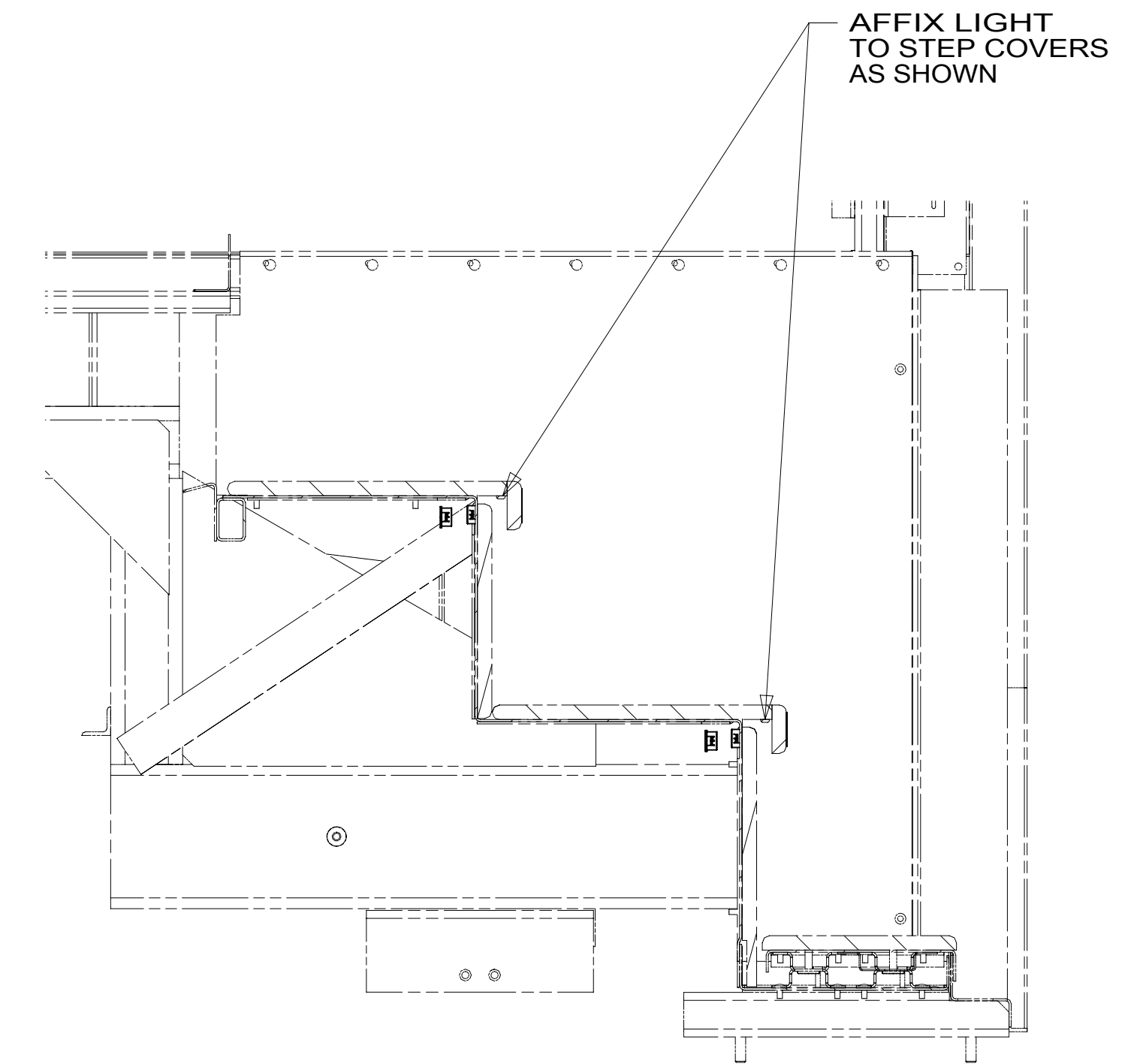
FOR ELECTRICAL CALLOUTS SEE DWG NO. 121339-01-000

- 60J AIR LEVELING - SUSPENSION
- 60M HYDRAULIC LEVEL JACKS-AUTO
- 157 INFOTAIN CTR/GPS SIRIUSXM
- 265 CODES/STANDARDS-CSA/CMVSS
- 1B1 CODES/STANDARDS USA

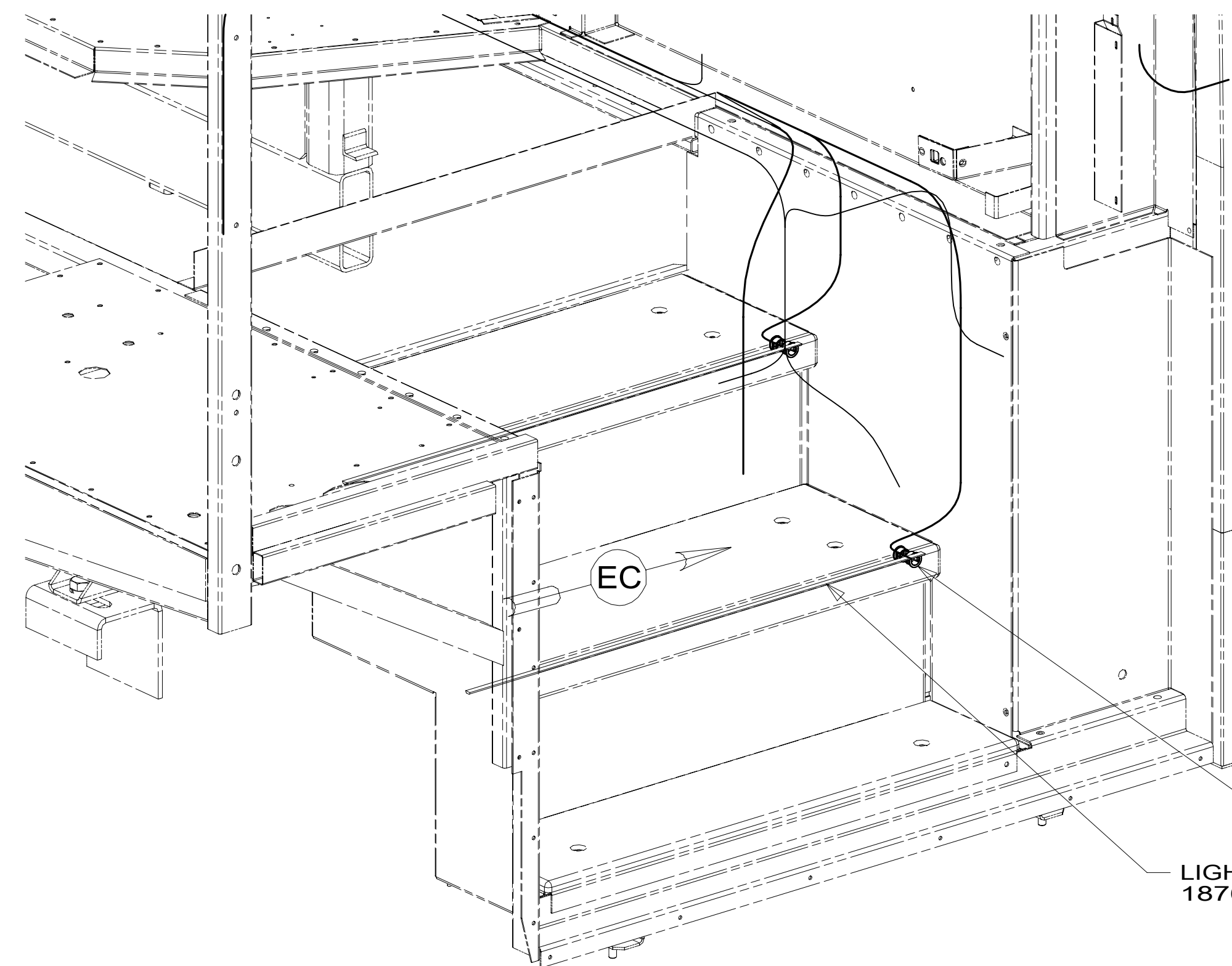
DESCRIPTION:		1B1 265
<b>WIRING INSTL-FRONT END</b>		
SHEET:	ITEM/PART NO.:	REV:
4 OF 9	000212660 / 30266801000	



DETAIL EA  1



VIEW EC



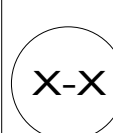
GROMMET  
114208-02-000 (4)

LIGHT-TAPE,LED  
187693-14-CHT (2)

 1 ALL STANDARD GAUGES, RETAINER CLIPS AND FASTENERS ARE CHASSIS SUPPLIED.

NOTES:

FOR ELECTRICAL TORQUE SPECIFICATIONS SEE DWG NO. 128783-01-000

 FOR ELECTRICAL CALLOUTS SEE DWG NO. 121339-01-000

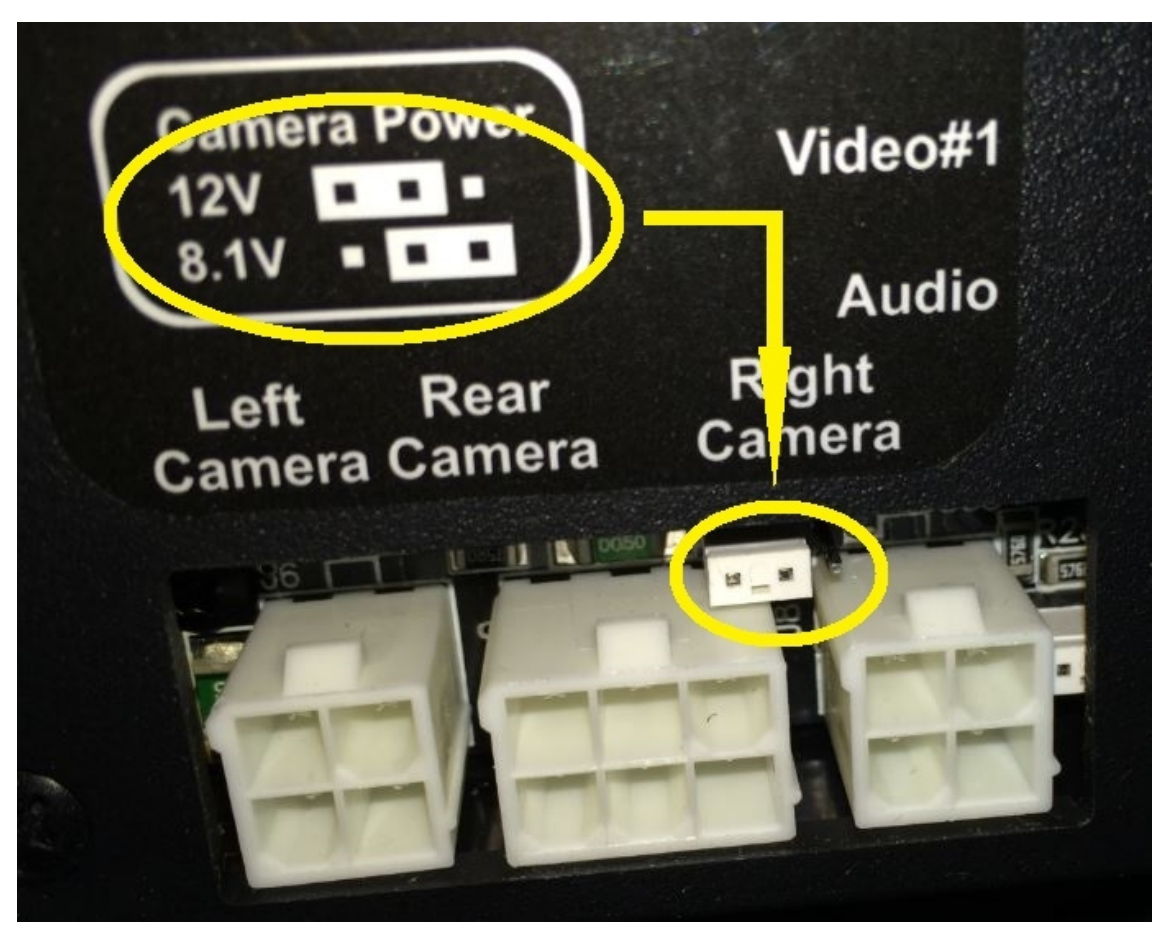
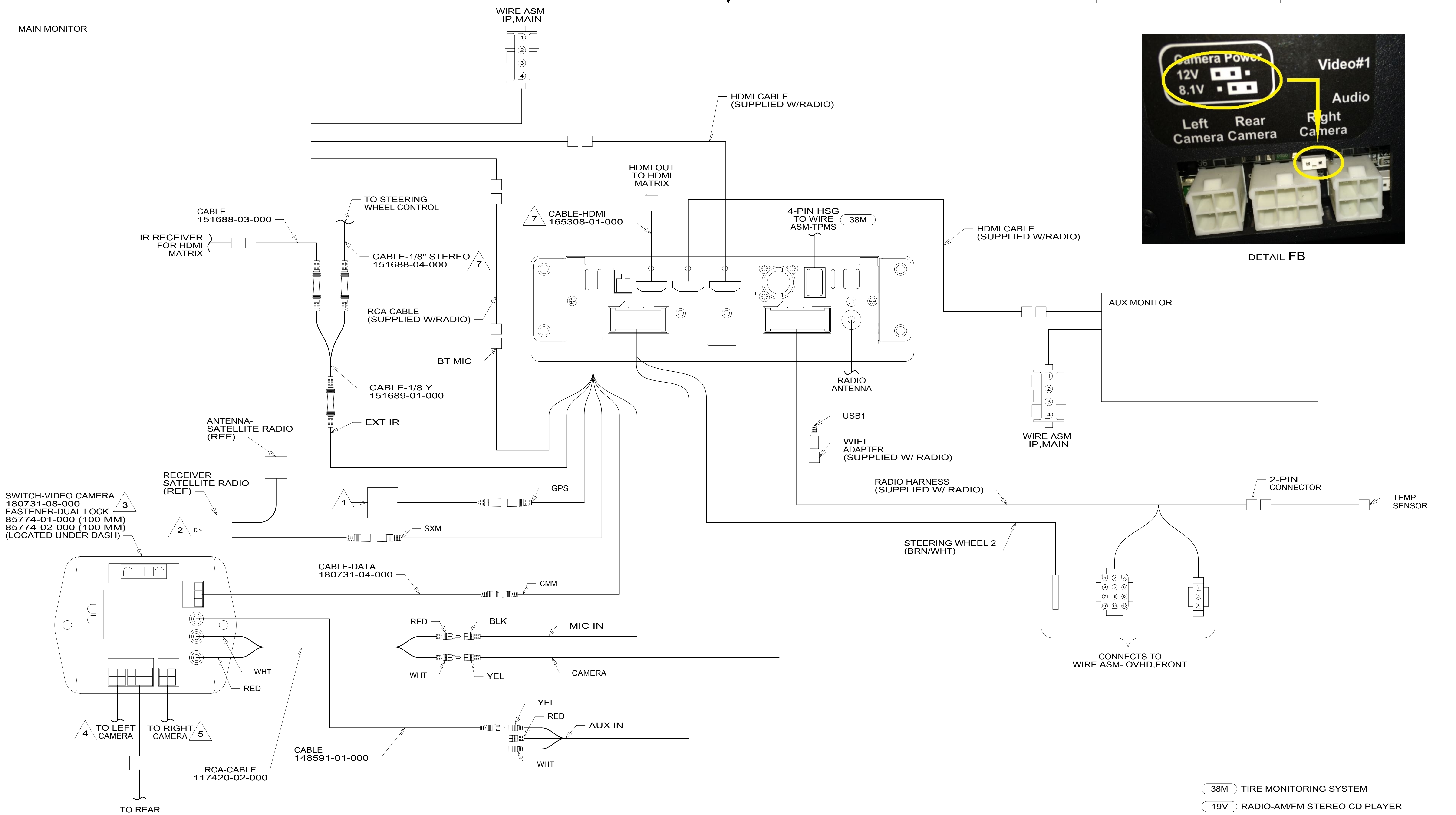
 265 CODES/STANDARDS-CSA/CMVSS

 1B1 CODES/STANDARDS USA

 1B1  265

DESCRIPTION:  
**WIRING INSTL-FRONT END**

SHEET:	ITEM/PART NO.:	REV
5 OF 9	000212660 / 30266801000	



DETAIL FB

- NOTES:
- 3 ENSURE CAMERA POWER JUMPER IS IN 12 VOLT POSITION. MOVE TO 12 VOLT POSITION IF NECESSARY. SEE DEAL HB.
  - 2 WIRE TIE RECEIVER-SATELLITE RADIO AND SWITCH-VIDEO CAMERA TO DASH RADIO WIRING BEHIND THE RADIO.
  - 1 MOUNT ON TOP OF CABINET ABOVE RADIO.

- 7 ROUTE DOWN LEFT A-POST.
- 6. APPLY TAPE 8363-01-000 AS NECESSARY TO SECURE NON-LOCKING CONNECTIONS.
- 5 MARK RIGHT CABLE WITH WHITE TAPE 900000-08-000 NEXT TO CONNECTOR.
- 4 MARK LEFT CABLE WITH YELLOW TAPE 900000-07-000 NEXT TO CONNECTOR.

- 38M TIRE MONITORING SYSTEM
- 19V RADIO-AM/FM STEREO CD PLAYER
- 74L VIDEO CAMERA SYS W/COLOR MON
- 265 CODES/STANDARDS-CSA/CMVSS
- 1B1 CODES/STANDARDS USA

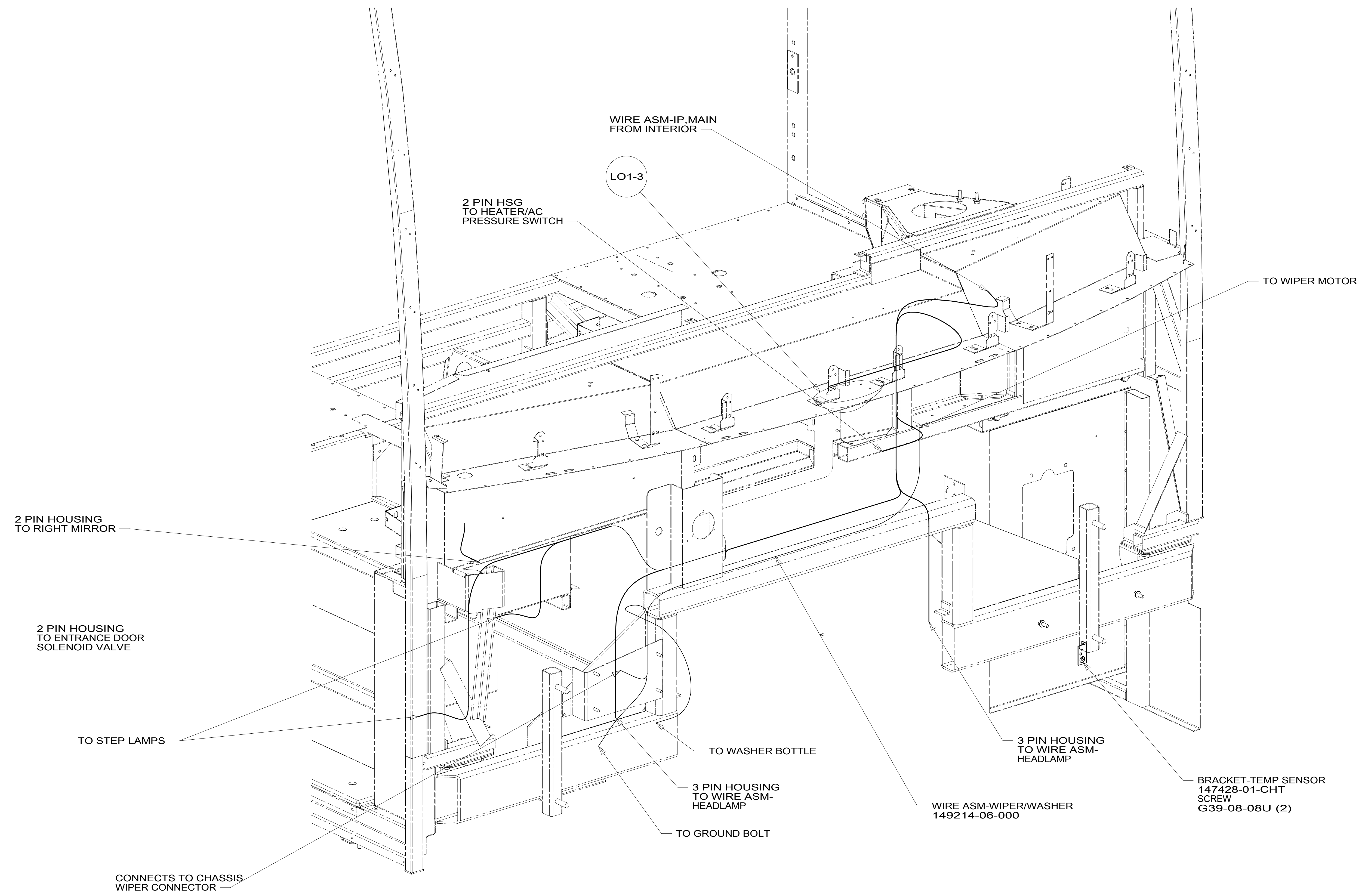
FOR ELECTRICAL TORQUE SPECIFICATIONS SEE DWG NO. 128783-01-000

FOR ELECTRICAL CALLOUTS SEE DWG NO. 121339-01-000

DESCRIPTION:	1B1 265 74L 19V		
<b>WIRING INSTL-FRONT END</b>			
SHEET:	ITEM/PART NO.:	REV	
6 OF 9	000212660 / 30266801000		

8 7 6 5 4 3 2 1

D  
C  
B  
A



VIEW GA

265 CODES/STANDARDS-CSA/CMVSS  
 1B1 CODES/STANDARDS USA

FOR ELECTRICAL TORQUE SPECIFICATIONS SEE DWG NO. 128783-01-000

X-X FOR ELECTRICAL CALLOUTS SEE DWG NO. 121339-01-000

DESCRIPTION: <b>WIRING INSTL-FRONT END</b>		
SHEET: <b>7 OF 9</b>	ITEM/PART NO: <b>000212660 / 30266801000</b>	REV
		1 31-Jul-2017

8 7 6 5 4 3 2 1

8 7 6 5 4 3 2 1

D  
C  
B  
A

D  
C  
B  
A

3  
ANTENNA-RADIO  
90944-02-000  
CABLE ASM-ANTENNA  
90944-03-000  
EXTENSION  
109889-01-000

ANTENNA-SATELLITE RADIO  
(SUPPLIED W/ SXM RECEIVER)  
PLATE-SATELLITE RADIO  
177256-03-CHT  
SCREW  
G11-08-08U (4)  
SEAL

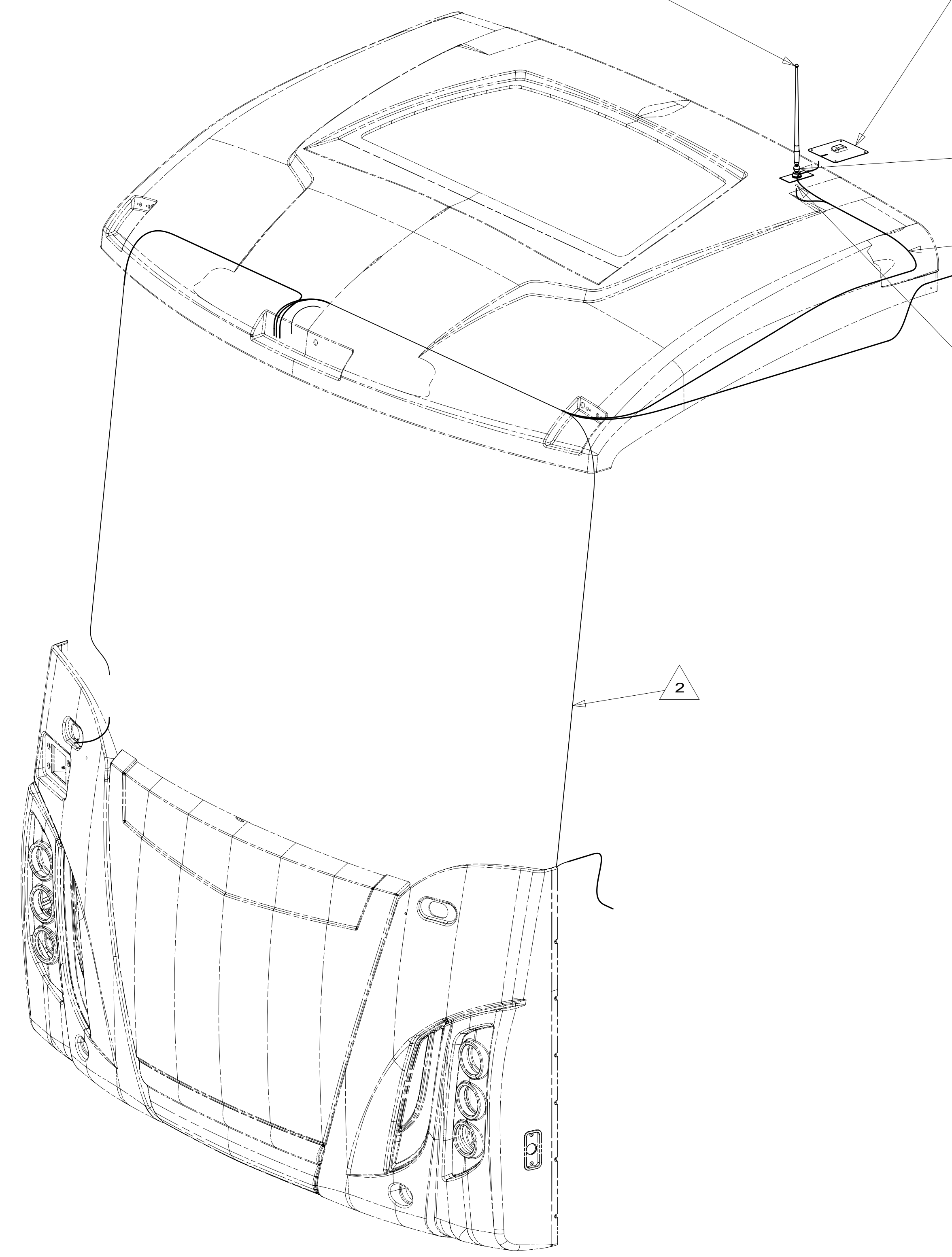
70D 1 4

RADIO ANTENNA  
LOCATION WITH  
SKYLIGHT

CABLE-SATELLITE RADIO  
(SUPPLIED WITH ANTENNA)

RADIO ANTENNA  
LOCATION WITHOUT  
SKYLIGHT

2



- 4 LOCATED ON ROOF ASM WITH SKYLIGHT OPTION,  
LOCATED ON ROOF CAP WITHOUT SKYLIGHT.
- 3 SEAL AROUND ANTENNA BASE.
- 2 ROUTE CABLE ALONG A-POST, UNDER TRIM COVER.
- 1 MOUNT ANTENNA SUCH THAT BASE IS SQUARE W/REAR  
OF ROOF CAP & HOLE IS DIRECTLY OVER HOLE IN  
FIBERGLASS. SEAL HOLE IN ROOF CAP, BASE AT SCREWS.

NOTES:

- 70D RADIO - SATELLITE SIRIUSXM
- 265 CODES/STANDARDS-CSA/CMVSS
- 1B1 CODES/STANDARDS USA

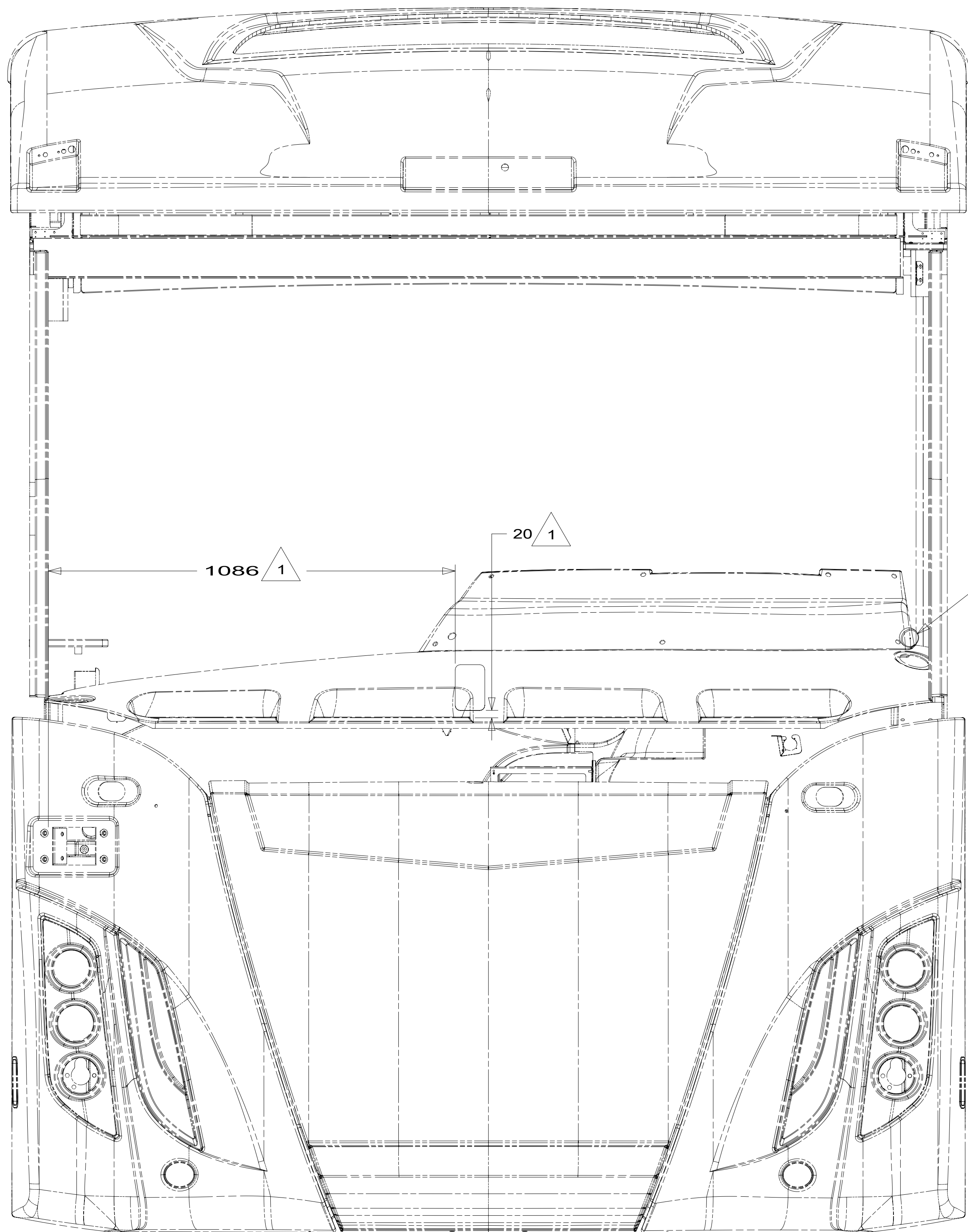
FOR ELECTRICAL  
TORQUE  
SPECIFICATIONS  
SEE DWG NO.  
128783-01-000

FOR ELECTRICAL  
CALLOUTS  
SEE DWG NO.  
121339-01-000

DESCRIPTION: <b>WIRING INSTL-FRONT END</b>	
SHEET: <b>8 OF 9</b>	ITEM/PART NO: <b>000212660 / 30266801000</b>
REV	

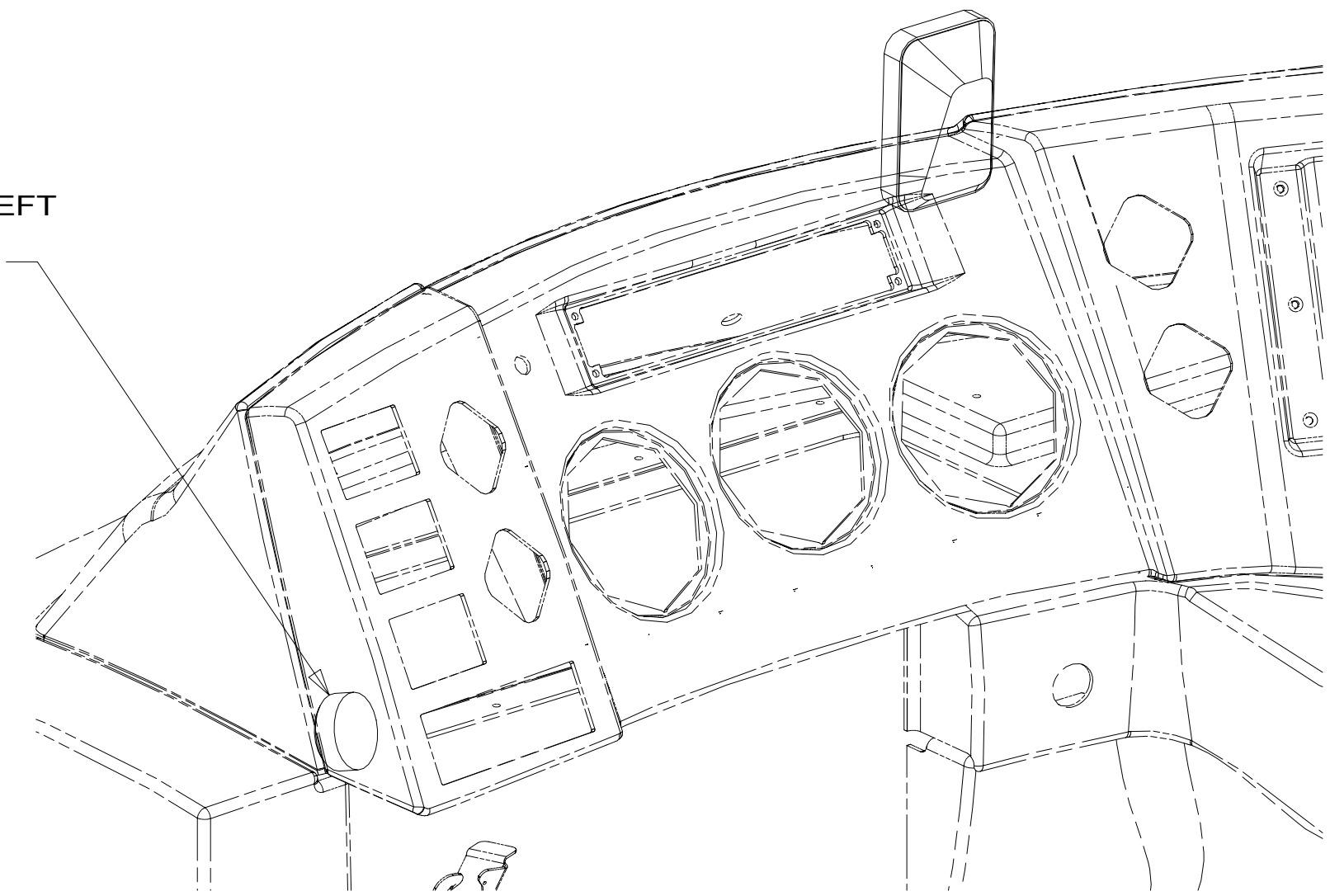
8 7 6 5 4 3 2 1 31-Jul-2017



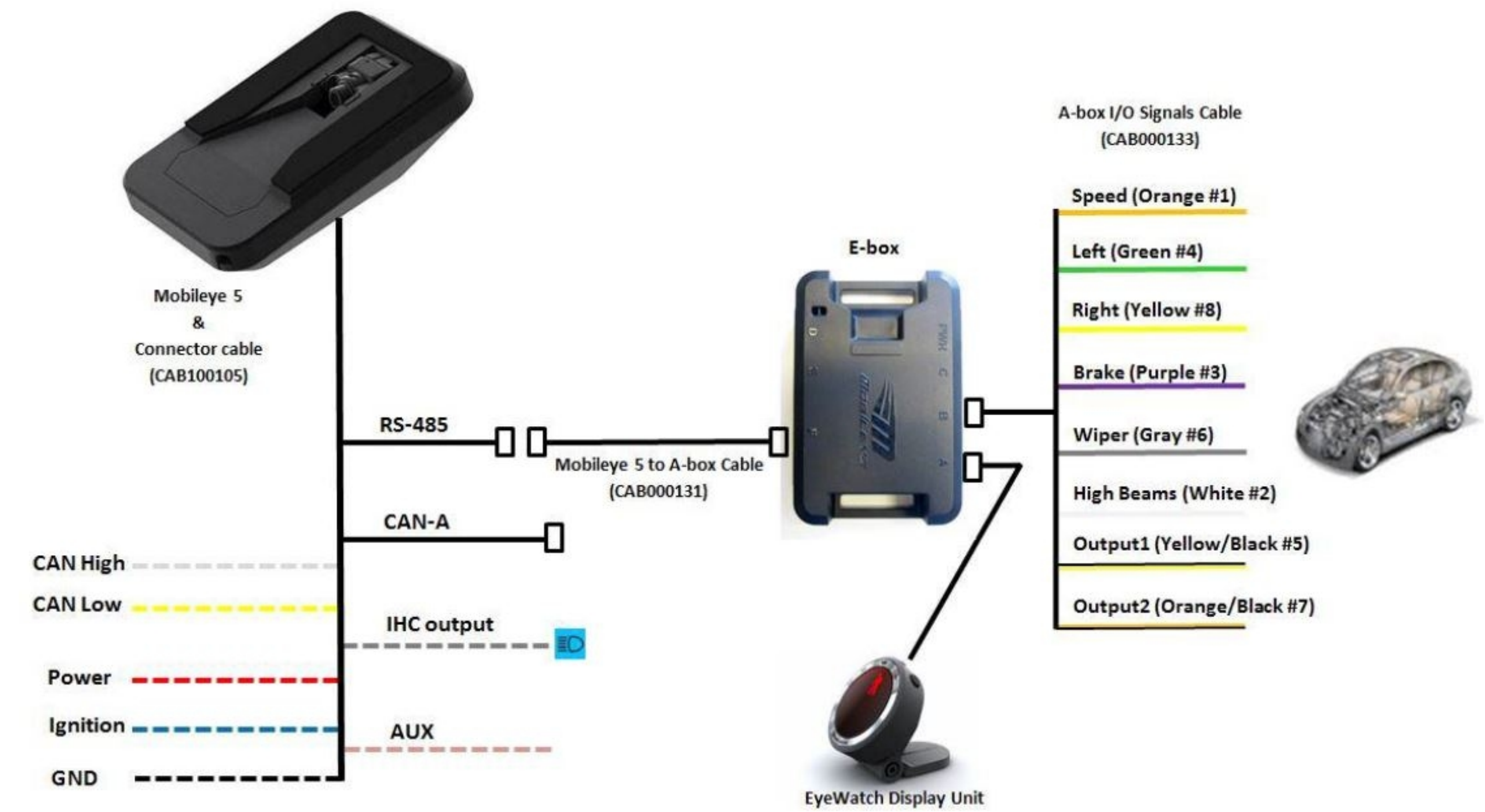


DETAIL JA

MOUNT ON TOP OF DASH POD LEFT OF CLUSTER. ROUTE CABLE IN SEAM UNDER REMOVEABLE TOP.



DETAIL JB



MOBILEYE CONNECTION DIAGRAM

1 ALL DIMENSIONS FROM BLACK LINE IN WINDSHIELD REF DIMENSION: CAMERA TO BE MOUNTED 50 MM RIGHT OF CENTER OF COACH AND 30 MM ABOVE DASH AT WINDSHIELD.

NOTES:

265 CODES/STANDARDS-CSA/CMVSS

1B1 CODES/STANDARDS USA

FOR ELECTRICAL TORQUE SPECIFICATIONS SEE DWG NO. 128783-01-000

X-X FOR ELECTRICAL CALLOUTS SEE DWG NO. 121339-01-000

DESCRIPTION:	1B1 265	
WIRING INSTL-FRONT END		
SHEET:	ITEM/PART NO:	REV
9 OF 9	000212660 / 30266801000	