

PLATE ASM-STUD
 00003494 / 310308-01-CHT
 SCREW
 000G67-10-12U (6)

- 9. ALL CRIMP FITTINGS TO 3/4" PEX TUBING REQUIRE 3/4" CLAMP 140171-05-000.
- 8. ALL CRIMP FITTINGS TO 1/2" PEX TUBING REQUIRE 1/2" CLAMP 140171-03-000.
- 7. ALL CRIMP FITTINGS TO 5/8" FLEX TUBING REQUIRE 5/8" CLAMP 140171-04-000.
- 6. LABEL HOT AND COLD SUPPLY TUBES AND TAPE FITTING TO TUBE BEFORE CABINET SET TO PREVENT MOVEMENT.
- 5. ADD PIPE WRAP (LADDER SCRAP 110157-02-000) INSULATION.
- 4. ADD TEFLON TAPE 010405-02-000.
- 3. ALL TUBING TO BE SECURED AT 1200 INTERVALS MAXIMUM WITH CLAMP 010495-01-000 AND SCREW 000G67-10-12U OR EQUIVALENT.
- 2. TUBING TO BE INSTALLED WITH SUFFICIENT SLOPE TO PROVIDE DRAINAGE TO NEAREST VALVE.
- 1. PLASTIC FITTINGS TO BE SEALED WITH SEALANT 084456-01-000.

NOTES:

- 9PA TAILGATE PACKAGE WITHOUT
- 9PC TAILGATE PACKAGE



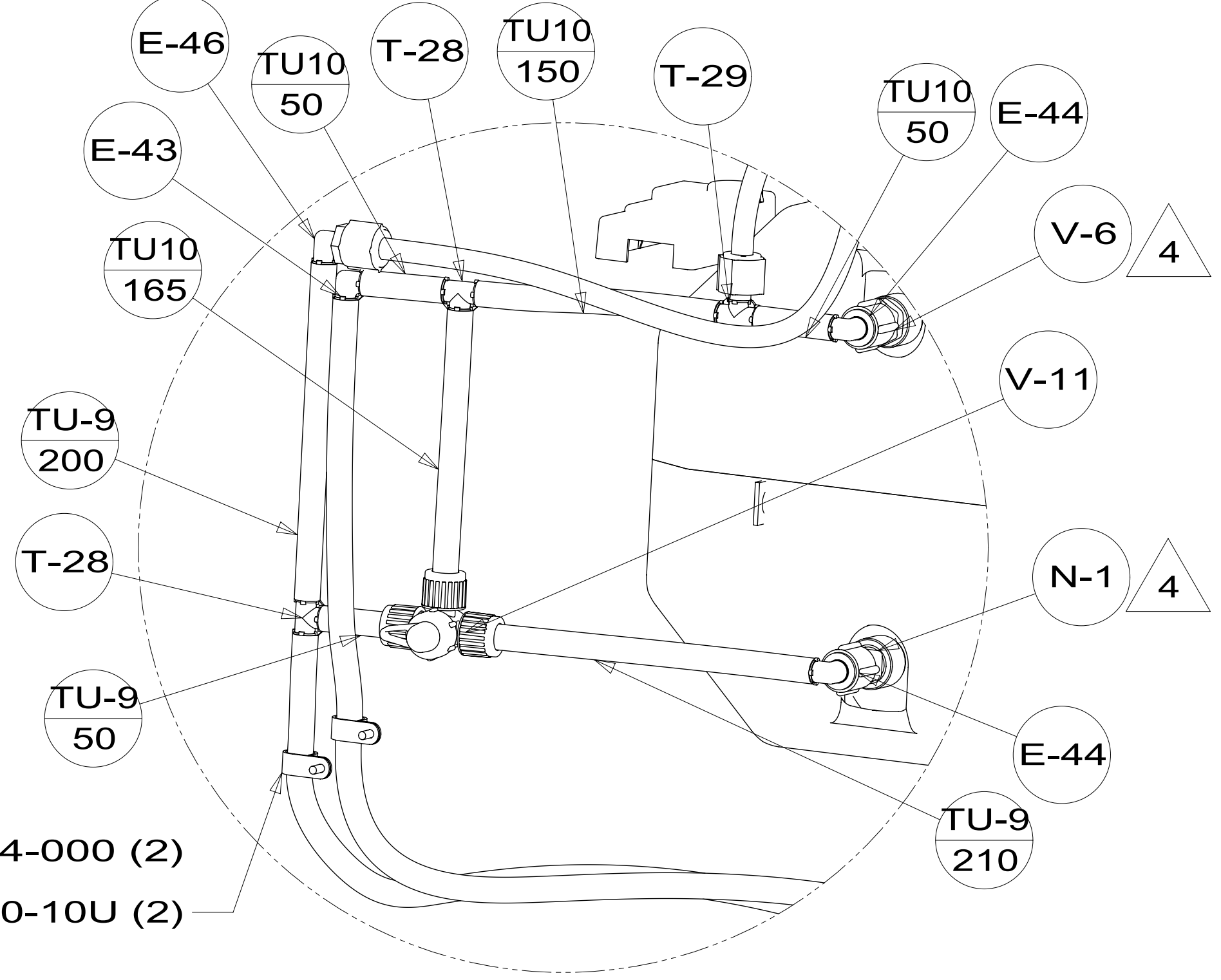
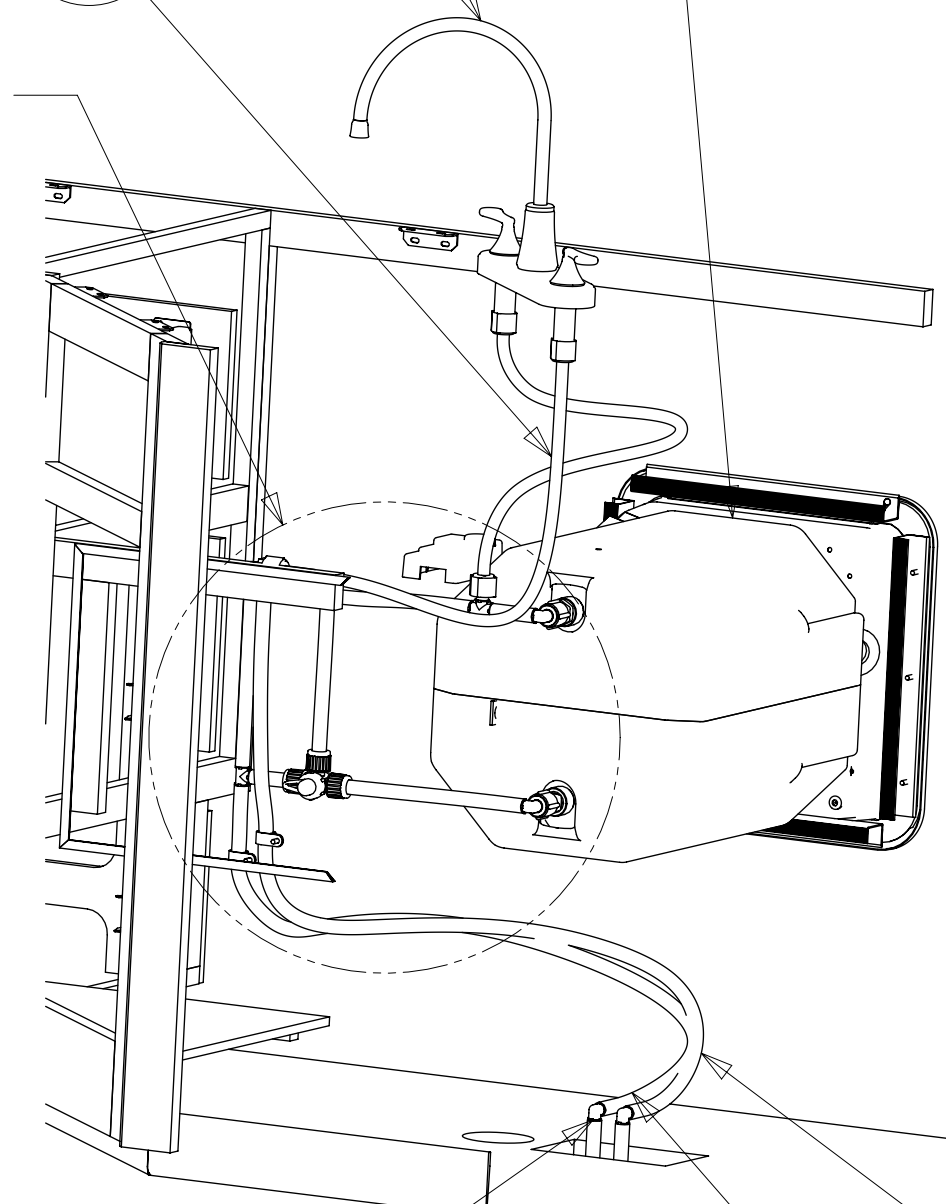
DSNR:		ALL DIMENSIONS ARE IN MILLIMETERS	
DIFTR:		MATERIAL:	
UNSPECIFIED TOLERANCES:			
WHOLE DIM (X)	3		
ONE-PLACE (X.X)	1.5		
TWO-PLACE (X.XX)	0.50		
ANGLE	1°		
REFER TO ES0018 FOR FASTENER TIGHTENING GUIDELINES		WEIGHT: (LBS)	FIRST USED: (REF)
			17 E29VE
DESCRIPTION: WATER SYSTEM INSTL			
SHEET:	ITEM/PART NO.:	REV	
1 OF 3	000211884 / 30316801000		

X-X
 FOR WATER CALLOUTS SEE DWG NO. 000209446 / 303369-01-000

FAUCET-GALLEY
191983-01-CHT

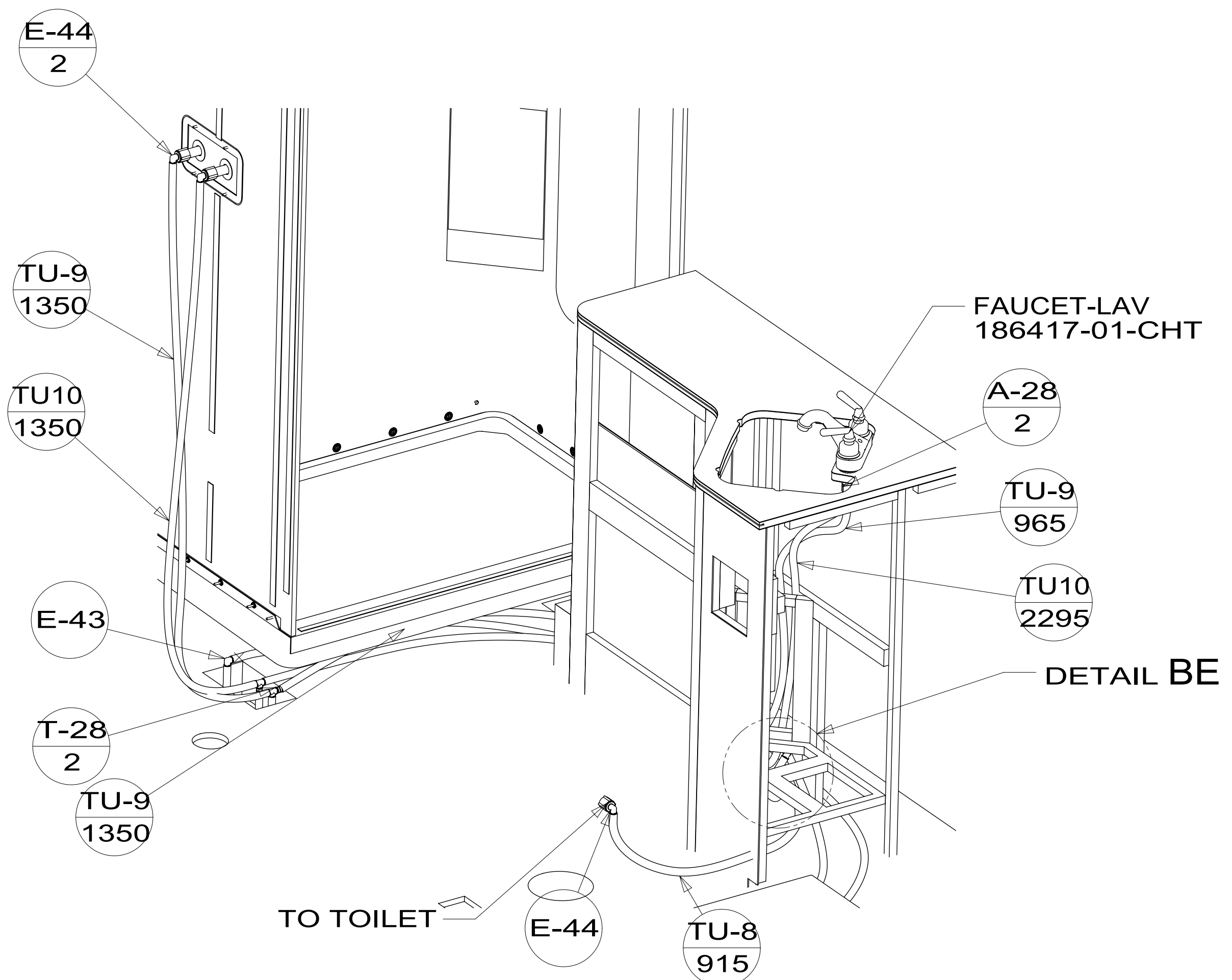
WATER HEATER INSTL
186899-04-000
CABLE
076767-03-000
SCREW
000G11-06-08U(2)

DETAIL BB



CLAMP
010495-04-000 (2)
SCREW
000G67-10-10U (2)

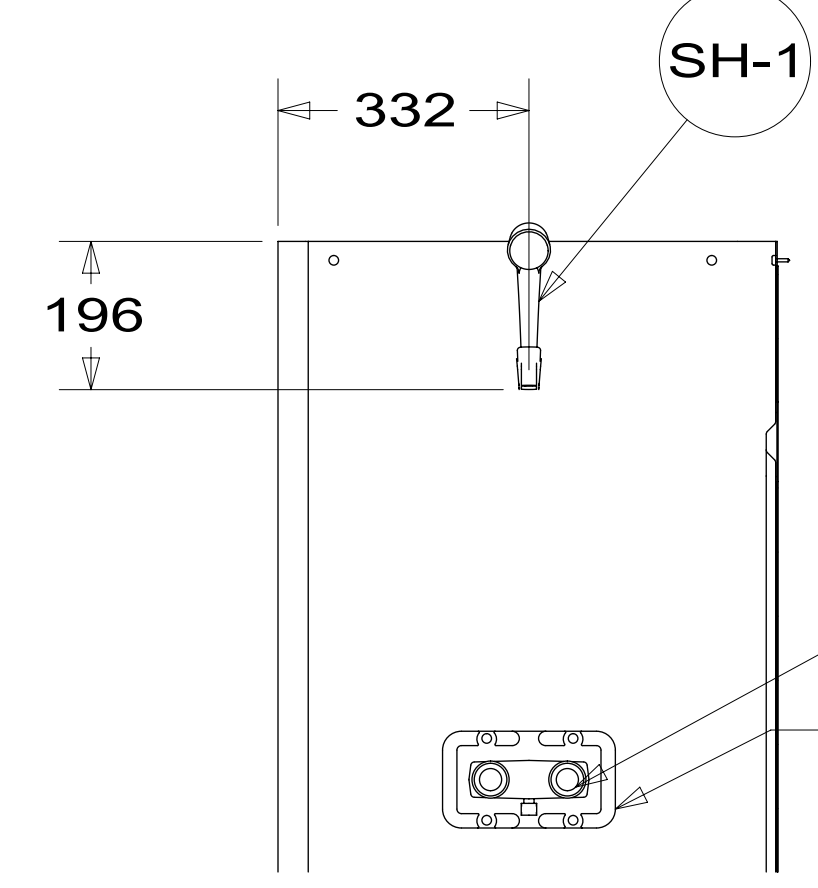
DETAIL BB
(SHOWN W/OUT CABINETS)



FAUCET-LAV
186417-01-CHT

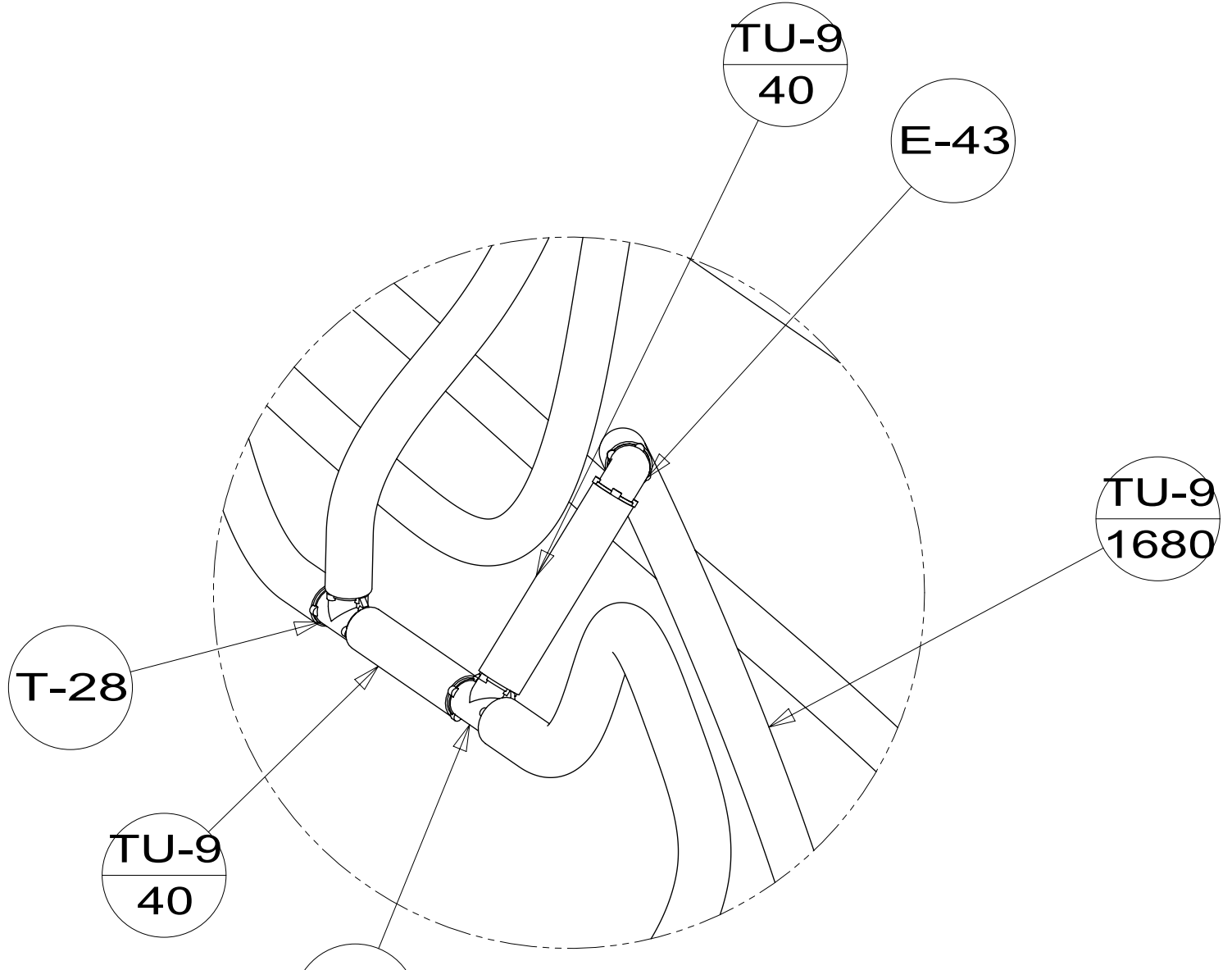
DETAIL BE

VIEW BC



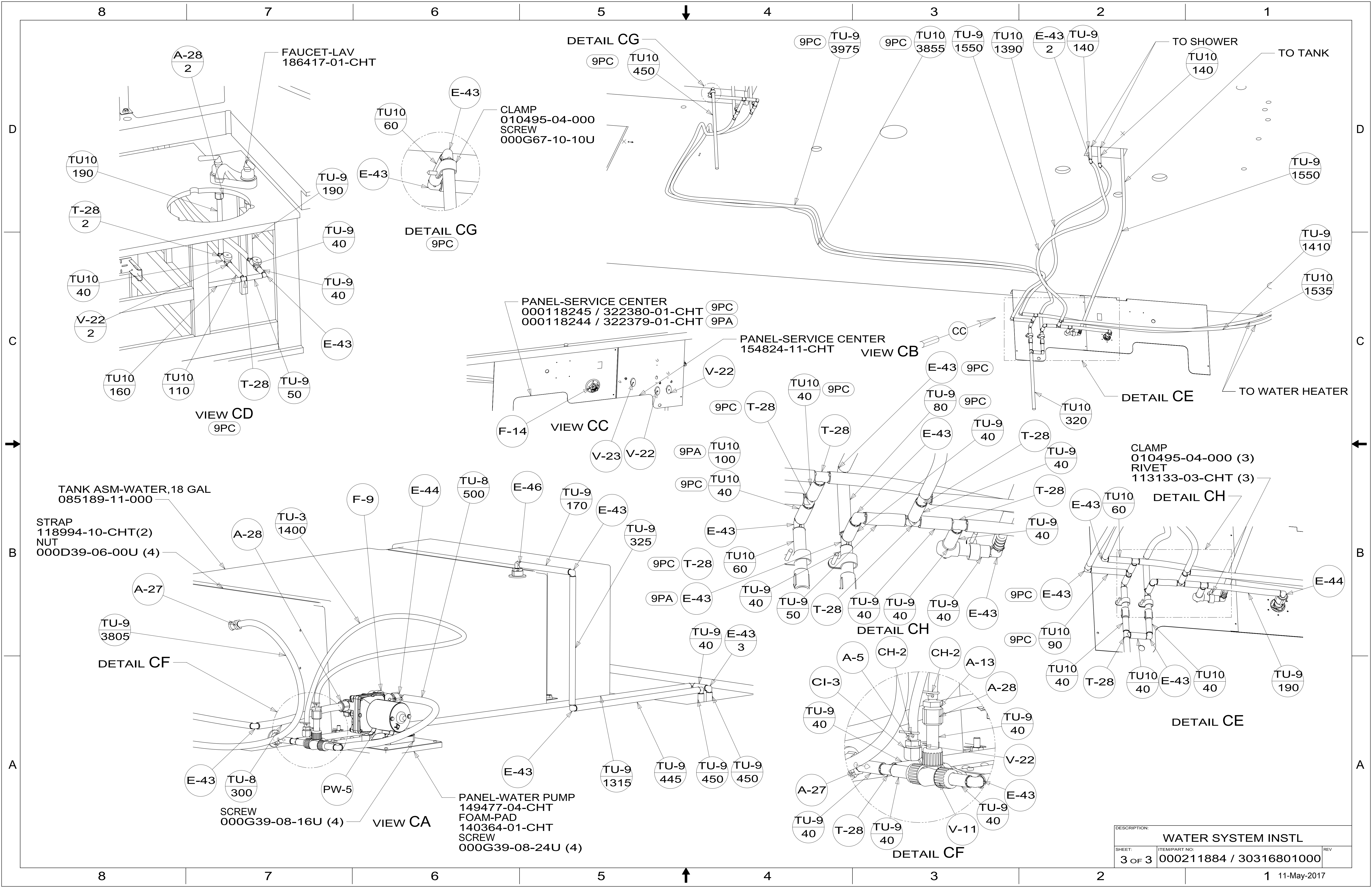
PANEL-SHOWER
167738-02-CHT
COVER-SCREW
166569-01-CHT (4)
SCREW
000G11-08-12U (4)

SECTION BD-BD



DETAIL BE
(SHOWN W/OUT CABINETS)

DESCRIPTION:		
WATER SYSTEM INSTL		
SHEET:	ITEM/PART NO.:	REV
2 OF 3	000211884 / 30316801000	



FAUCET-LAV
186417-01-CHT

DETAIL CG
9PC TU10 450

CLAMP
010495-04-000
SCREW
000G67-10-10U

DETAIL CG
9PC

PANEL-SERVICE CENTER
000118245 / 322380-01-CHT 9PC
000118244 / 322379-01-CHT 9PA

PANEL-SERVICE CENTER
154824-11-CHT VIEW CB

VIEW CD
9PC

VIEW CC

DETAIL CE
TO WATER HEATER

TANK ASM-WATER, 18 GAL
085189-11-000

STRAP
118994-10-CHT(2)
NUT
000D39-06-00U (4)

CLAMP
010495-04-000 (3)
RIVET
113133-03-CHT (3)

DETAIL CH

DETAIL CF

PANEL-WATER PUMP
149477-04-CHT
FOAM-PAD
140364-01-CHT
SCREW
000G39-08-24U (4)

DETAIL CH

DETAIL CF

DETAIL CE

DESCRIPTION:		
WATER SYSTEM INSTL		
SHEET:	ITEM/PART NO.:	REV
3 OF 3	000211884 / 30316801000	