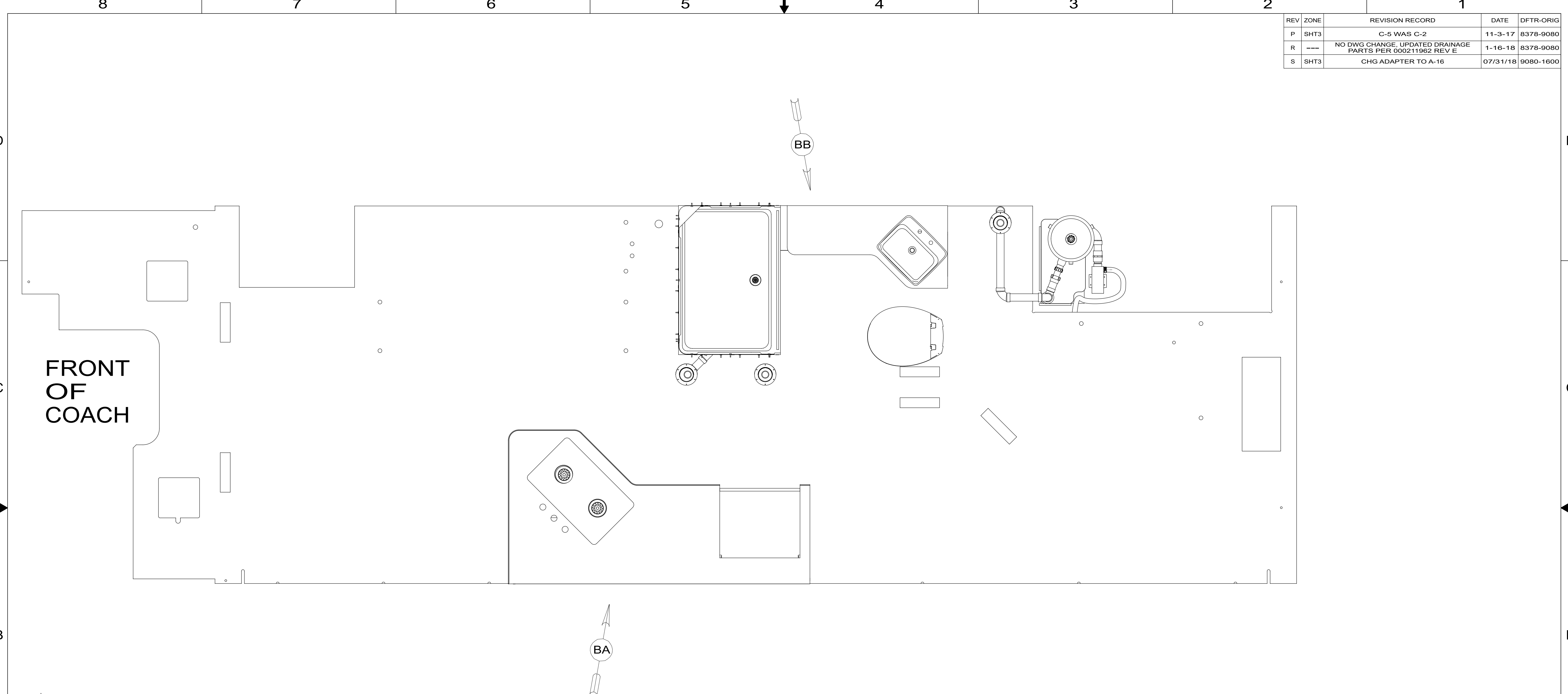


REV	ZONE	REVISION RECORD	DATE	DFTR-ORIG
P	SHT3	C-5 WAS C-2	11-3-17	8378-9080
R	---	NO DWG CHANGE, UPDATED DRAINAGE PARTS PER 000211962 REV E	1-16-18	8378-9080
S	SHT3	CHG ADAPTER TO A-16	07/31/18	9080-1600



- NOTES:**
- 11. GLUE FITTING AFTER CABINET IS INSTALLED.
 - 10. APPLY PRIMER 126427-02-000 AND CEMENT 126427-01-000 BETWEEN ELBOW AND FLEX PIPE.
 - 9. SEE DRAWING 061607 FOR INSTALLATION OF GROMMETS.
 - 8. SECURE DRAINAGE PIPES TO CABINET USING WIRE TIE 108046-02-000, AND SCREW 000G67-10-12U AT INTERVALS OF NOT OF NOT MORE THAN 4 FEET APART.
 - 7. SECURE VENT PIPE TO FLOOR WITH CLAMP 000156237 / 326663-02-000 (2), SCREW 000G67-10-12U (2), BRACKET 136878-01-CHT (2).
 - 6. VENT PIPE MUST PROJECT 51 MIN AND 64 MAX ABOVE ROOF FOR PROPER FIT AND FUNCTION. ADD S-1 (000156099 / 326607-01-CHT SEAL-VENT PIPE) AROUND PIPE ON ROOF BEFORE VENT CAP IS INSTALLED.
 - 5. SEAL AROUND SHOWER WITH SILICONE.
 - 4. USE SMOOTH PLUMBERS PUTTY 167459-01-000 TO SEAL STRAINER (0.2 PER STRAINER).
 - 3. ALL PIPE AND FITTINGS TO BE ASSEMBLED WITH SOLVENT 004020-01-000 (USA), 004020-02-000 (CAN)
 - 2. SLOPE OF TRAP ARM MUST BE 6 PER 305 mm.
 - 1. SLOPE OF HORIZONTAL PIPING TO BE MINIMUM OF 3 PER 305 mm.

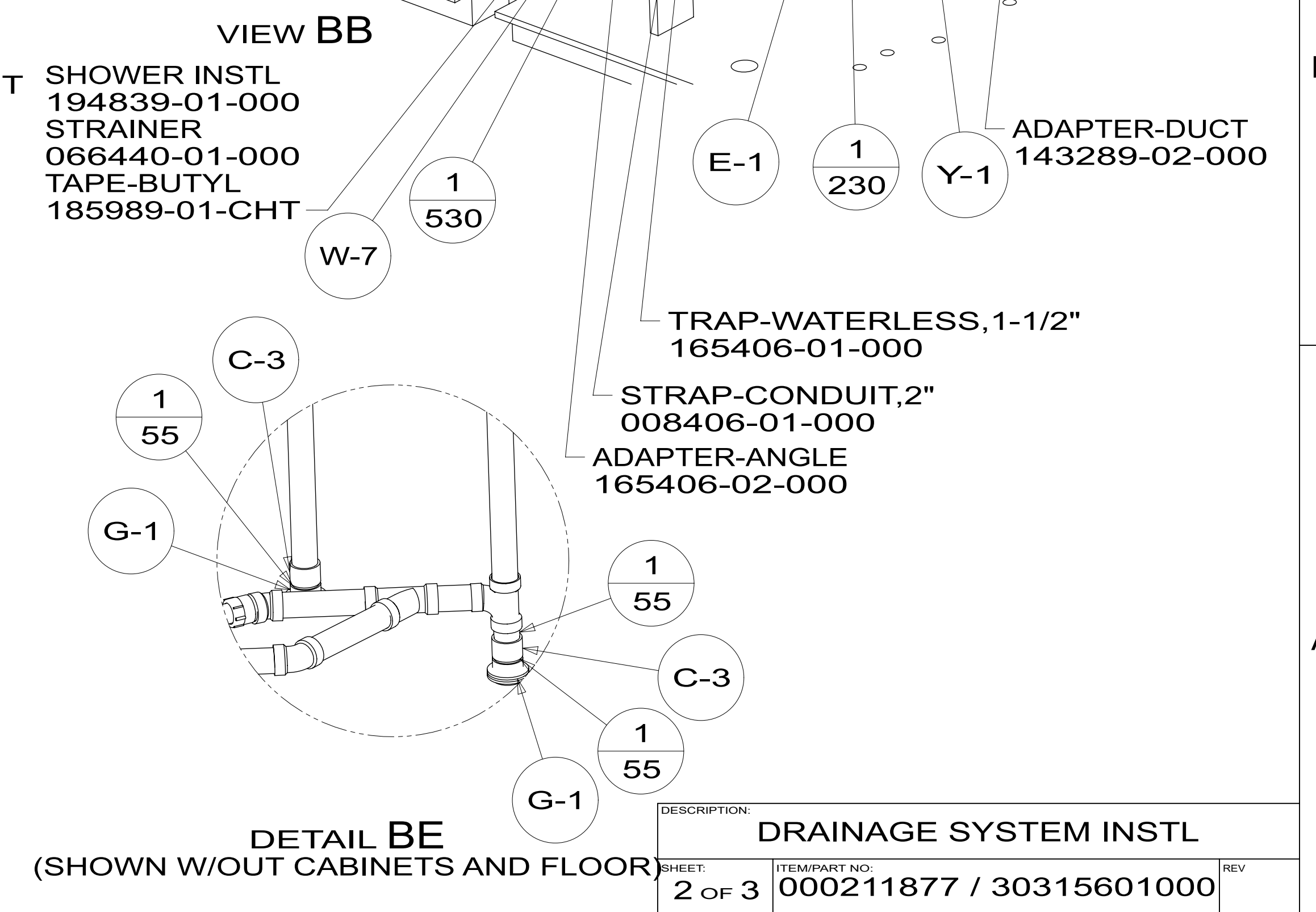
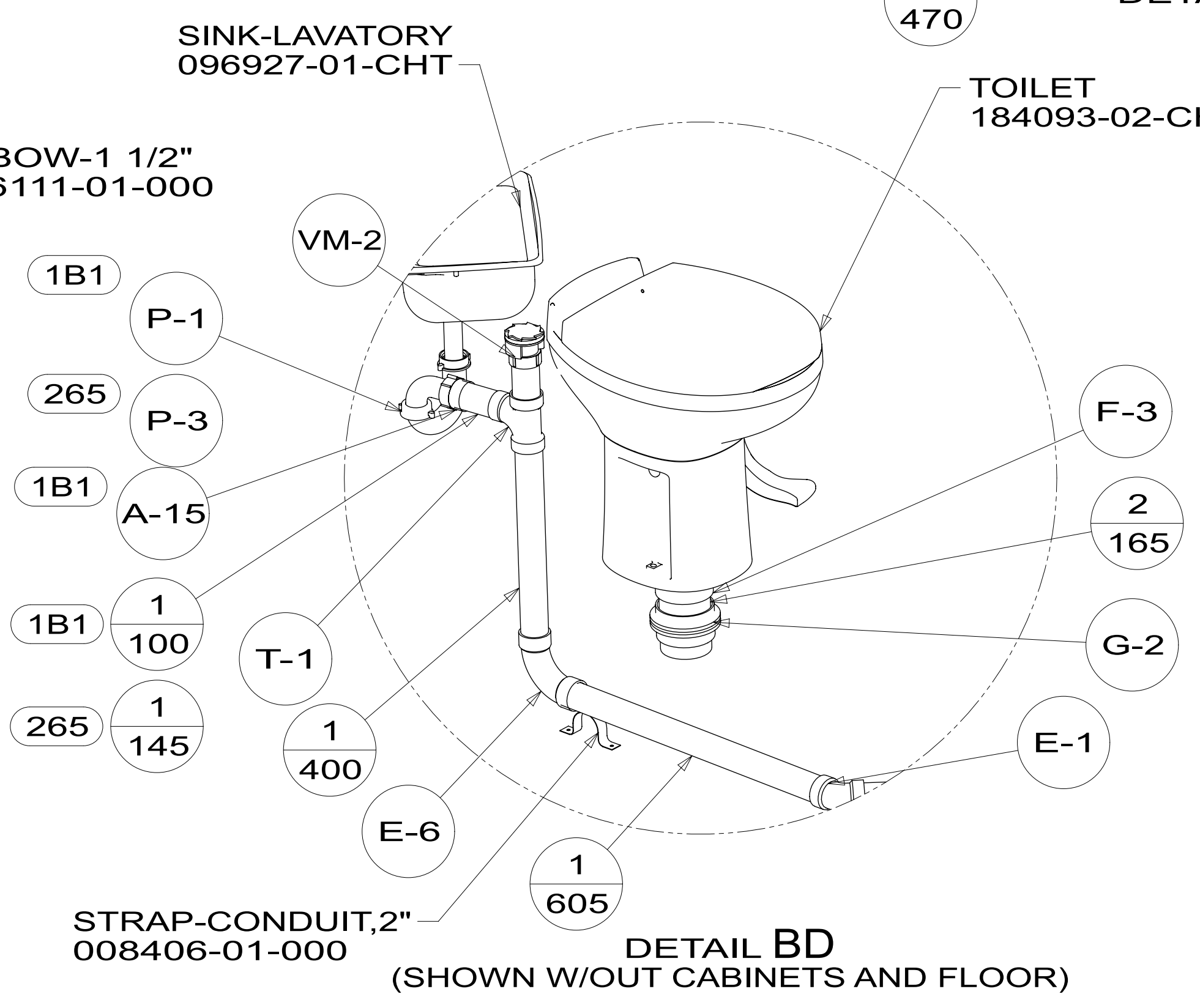
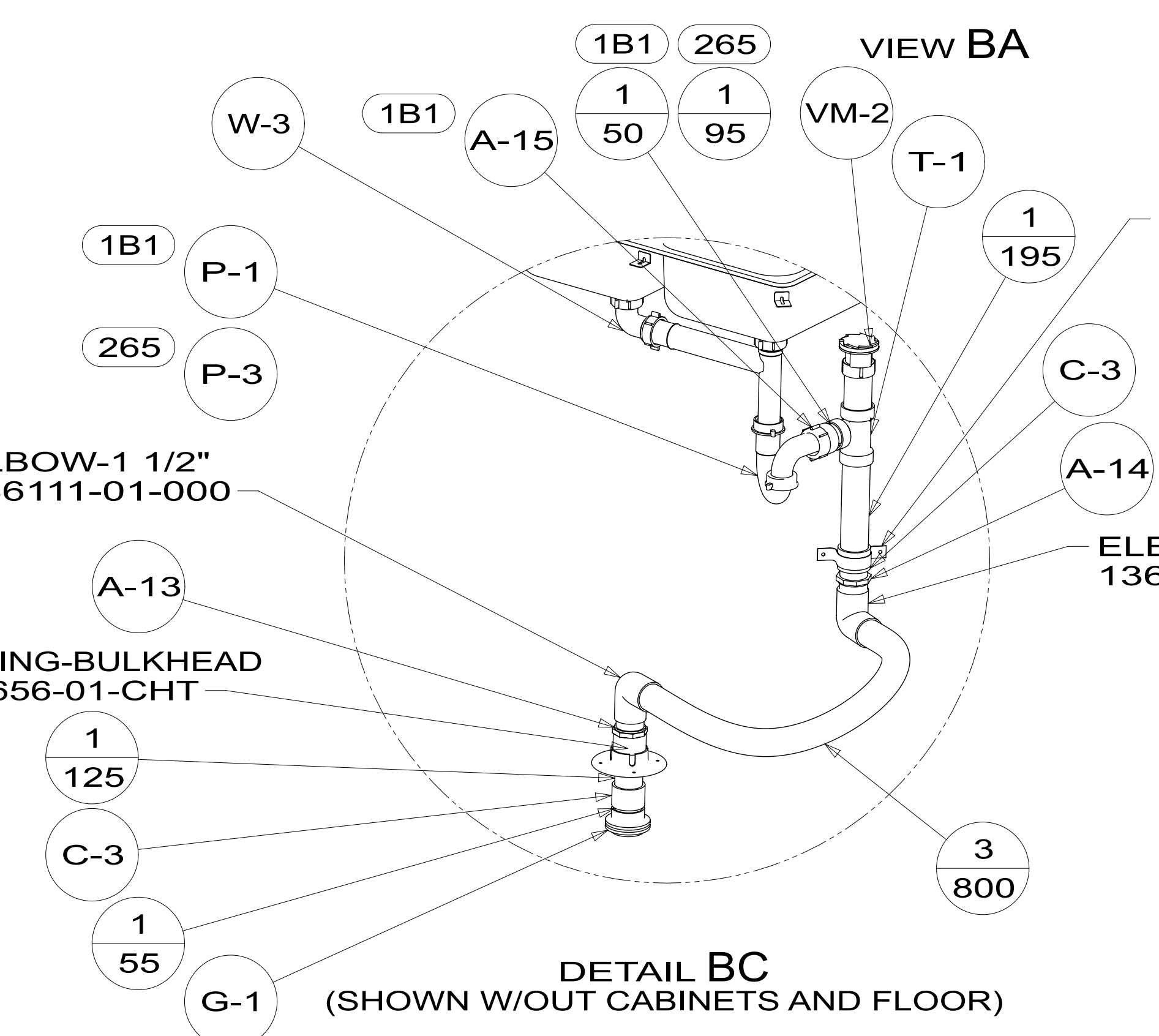
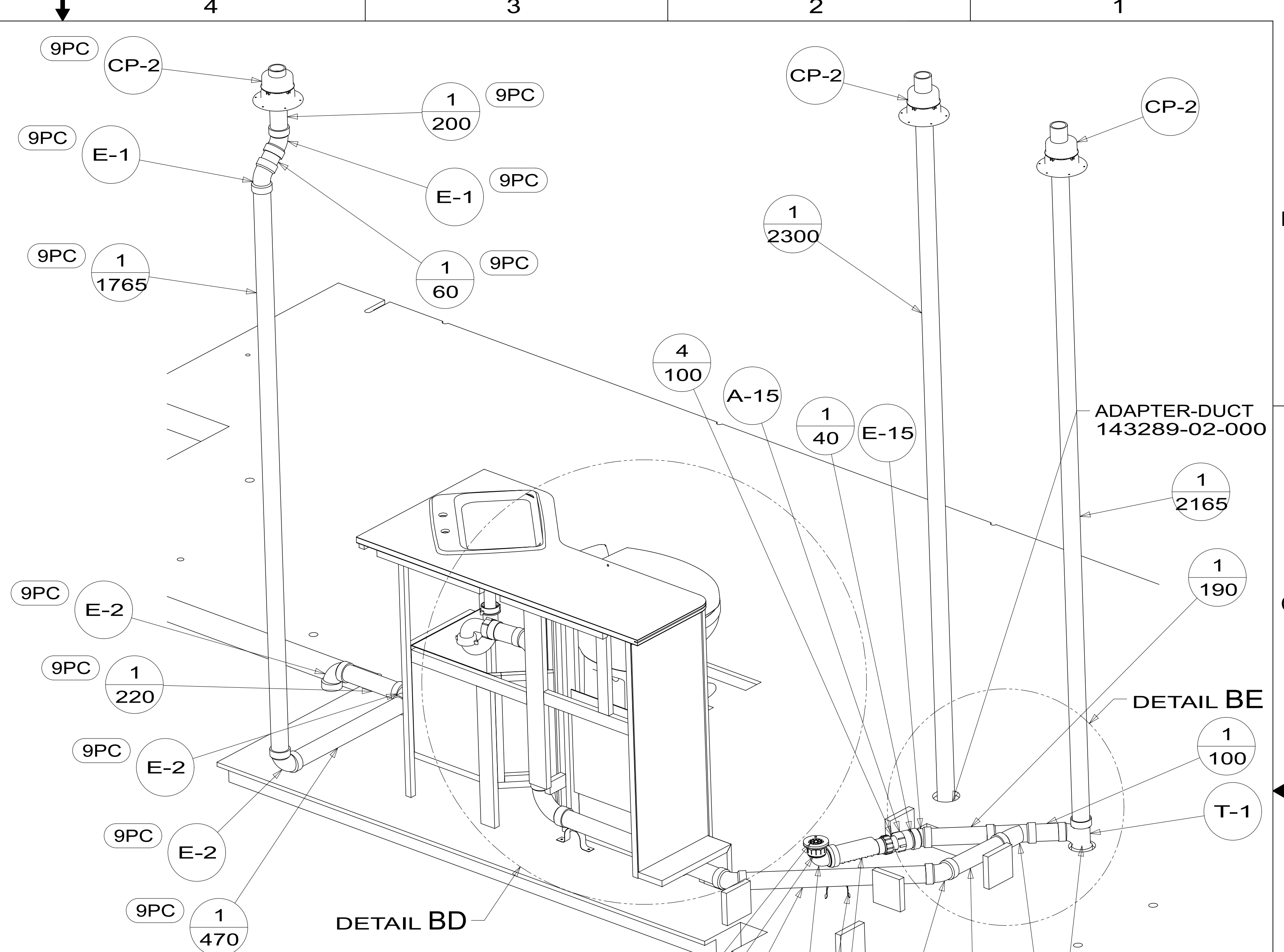
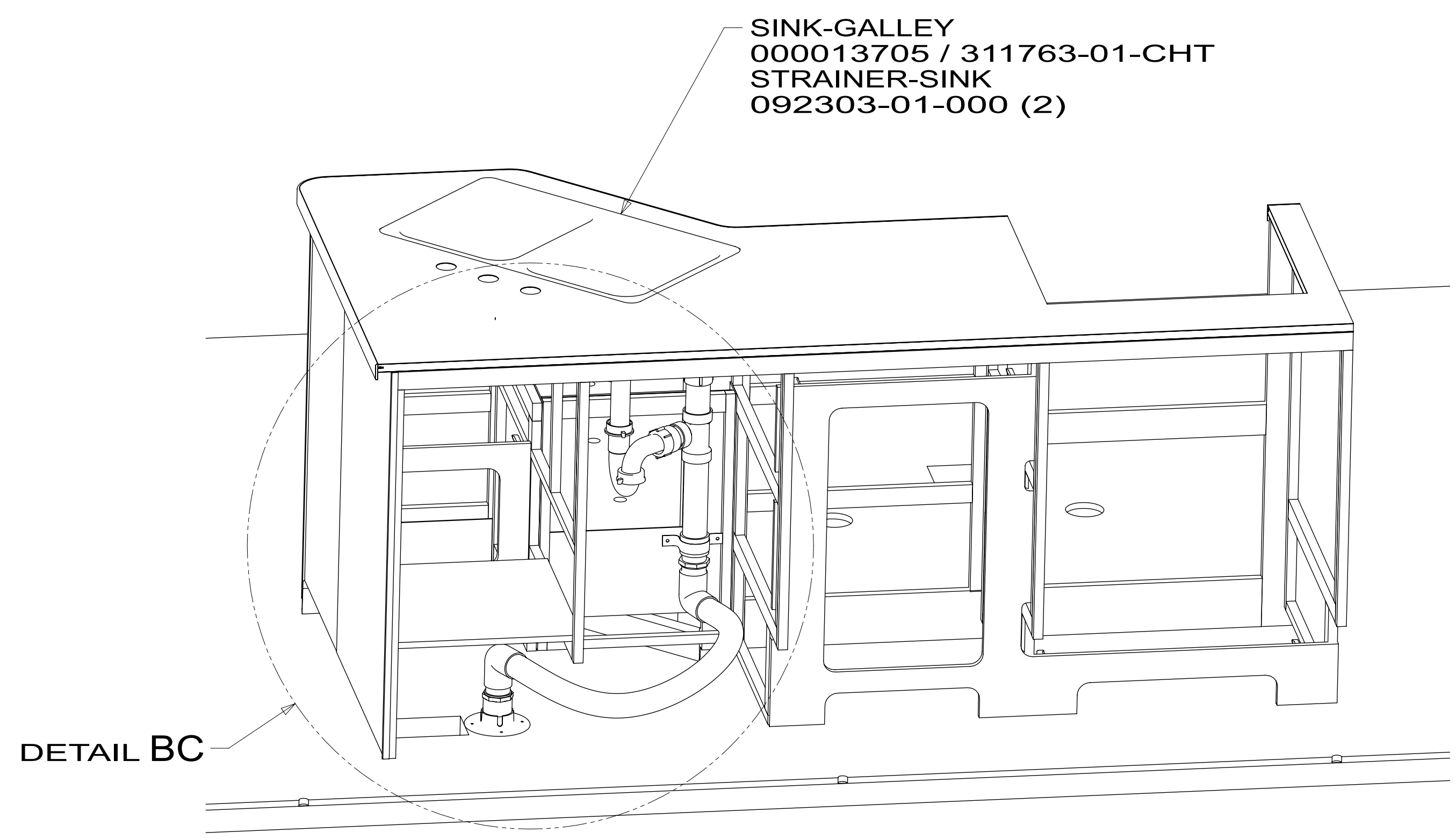
- 9PA TAILGATE PACKAGE WITHOUT
- 9PC TAILGATE PACKAGE
- 1B1 CODES/STANDARDS USA
- 265 CODES/STANDARDS-CSA/CMVSS



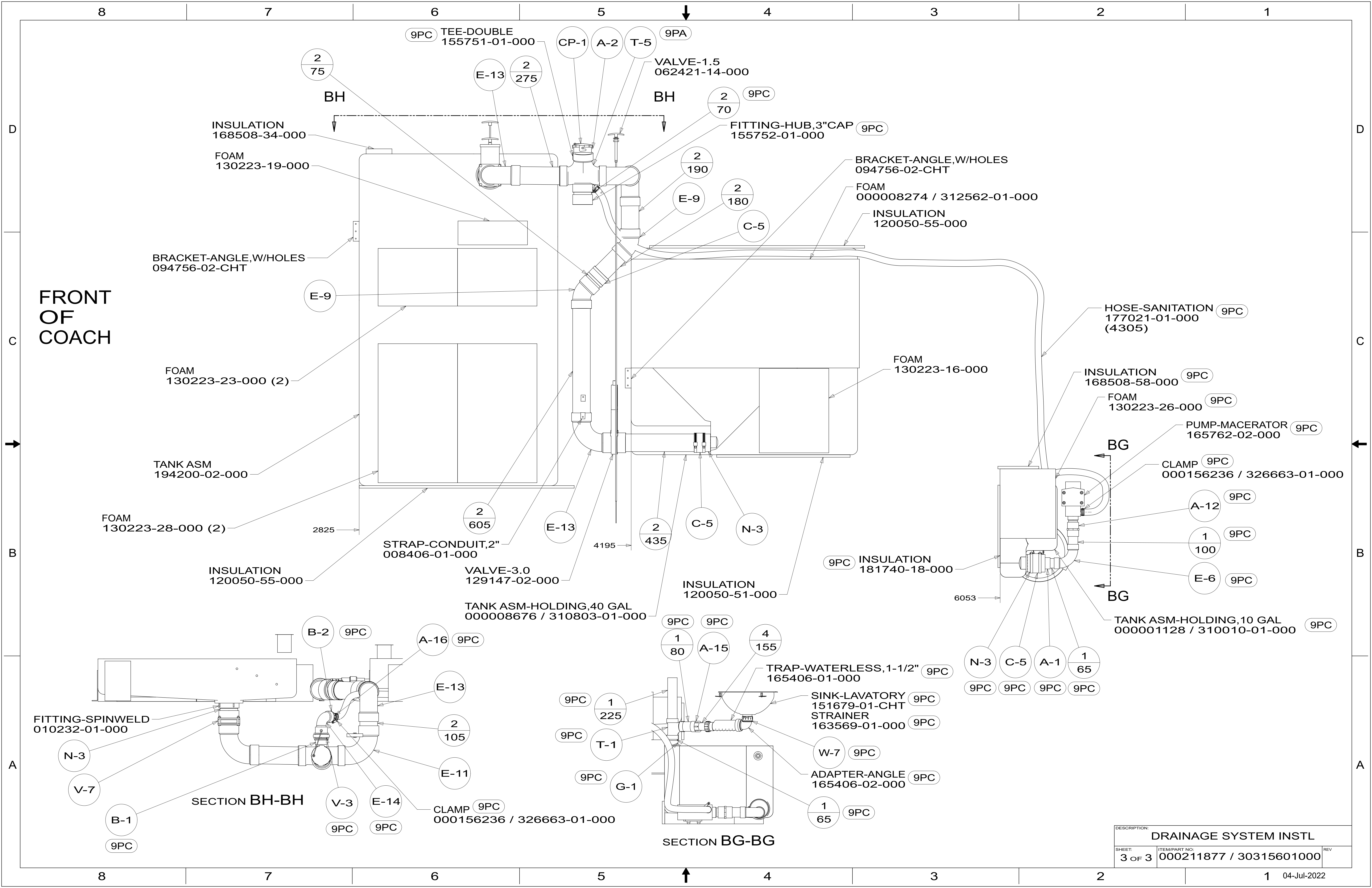
DSNR:		ALL DIMENSIONS ARE IN MILLIMETERS	
DFTR:		MATERIAL:	
UNSPECIFIED TOLERANCES:			
WHOLE DIM (X)	3		
ONE-PLACE (X.X)	1.5		
TWO-PLACE (X.XX)	0.50		
ANGLE	1°		
REFER TO ES0018 FOR FASTENER TIGHTENING GUIDELINES		WEIGHT: (LBS)	FIRST USED: (REF)
			17 E29VE
DESCRIPTION:			
DRAINAGE SYSTEM INSTL			
SHEET:	ITEM/PART NO.:	REV	
1 OF 3	000211877 / 30315601000		

X-X

FOR DRAINAGE CALLOUTS SEE DWG NO. 000211962 / 303370-01-000



DESCRIPTION: DRAINAGE SYSTEM INSTL		
SHEET: 2 OF 3	ITEM/PART NO: 000211877 / 30315601000	REV



FRONT OF COACH

DESCRIPTION: DRAINAGE SYSTEM INSTL			
SHEET: 3 OF 3	ITEM/PART NO: 000211877 / 30315601000	REV	