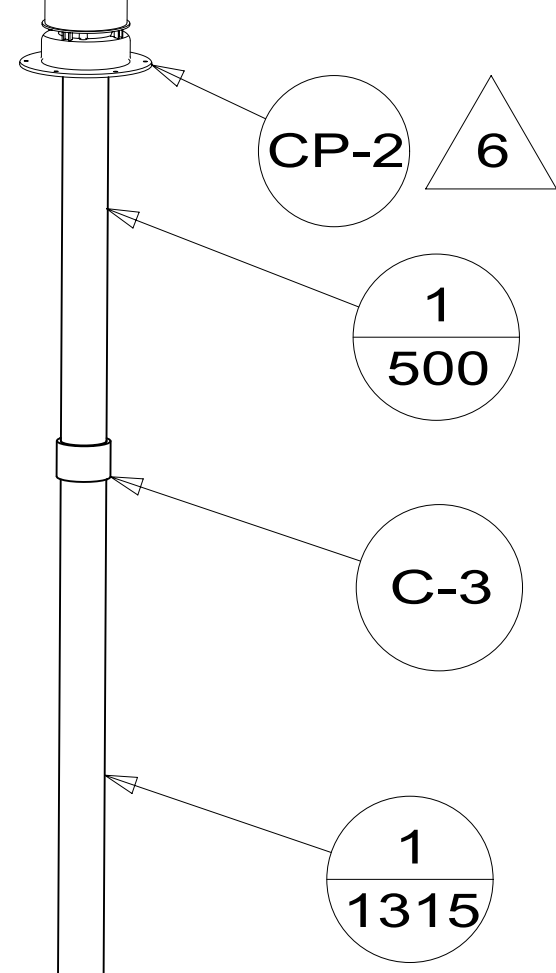
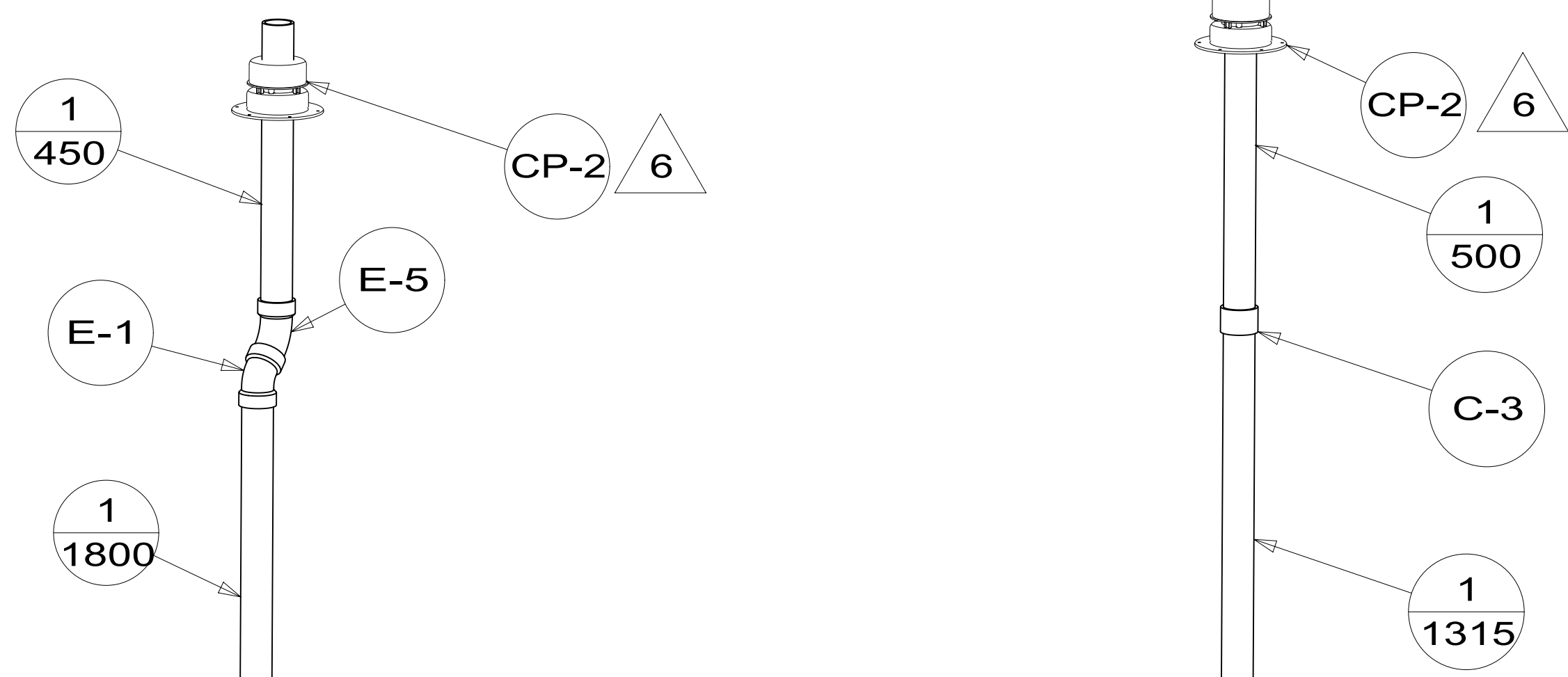
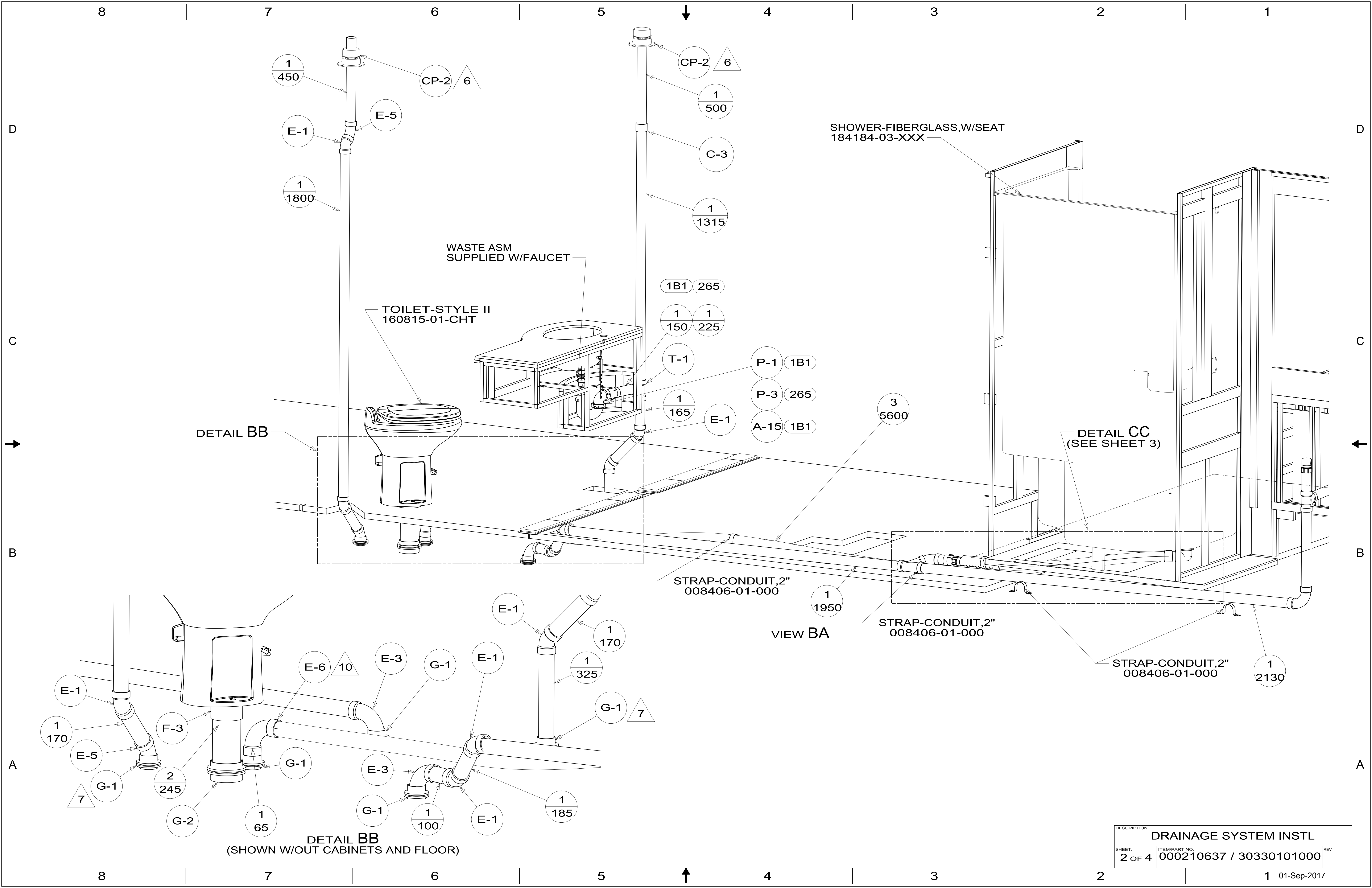


- NOTES:**
- 11. REQUIRES 5 GALLONS RV ANTIFREEZE 182955-01-000 PER TOLIET. FOLLOW TECMA TOLIET WINTERIZATION PROCEDURE.
 - 10. APPLY PRIMER 126427-02-000 AND CEMENT 126427-01-000 BETWEEN ELBOW AND FLEX PIPE.
 - 9. SEE DRAWING 061607 FOR INSTALLATION OF GROMMETS.
 - 8. SECURE DRAINAGE PIPES TO CABINET USING WIRE TIE 108046-02-000, AND SCREW 000G67-10-12U AT INTERVALS OF NOT OF NOT MORE THAN 4 FEET APART.
 - 7. SECURE VENT PIPE TO GROMMET WITH CLAMP 062401-02-000.
 - 6. VENT PIPE MUST PROJECT 51 MIN AND 64 MAX ABOVE ROOF FOR PROPER FIT AND FUNCTION. ADD S-1 (116666-01-CHT SEAL-VENT PIPE) AROUND PIPE ON ROOF BEFORE VENT CAP IS INSTALLED.
 - 5. SEAL AROUND SHOWER WITH SILICONE.
 - 4. USE SMOOTH PLUMBERS PUTTY 167459-01-000 TO SEAL STRAINER (0.2 PER STRAINER).
 - 3. ALL PIPE AND FITTINGS TO BE ASSEMBLED WITH SOLVENT 004020-01-000 (USA), 004020-02-000 (CAN)
 - 2. SLOPE OF TRAP ARM MUST BE 6 PER 305 mm.
 - 1. SLOPE OF HORIZONTAL PIPING TO BE MINIMUM OF 3 PER 305 mm.

- 21S WASHER/DRYER STACKED
- 1B1 CODES/STANDARDS USA
- 265 CODES/STDS-CSA,CMVSS
- 21M WASHER/DRYER PREP

WINNEBAGO
COPYRIGHT 2017 WINNEBAGO INDUSTRIES, INC.

DSNR:		ALL DIMENSIONS ARE IN MILLIMETERS	
DIFTR:			
UNSPECIFIED TOLERANCES:		MATERIAL:	
WHOLE DIM (X)	3		
ONE-PLACE (X.X)	1.5		
TWO-PLACE (X.XX)	0.50		
ANGLE	1°		
REFER TO ES0018 FOR FASTENER TIGHTENING GUIDELINES		WEIGHT: (LBS)	FIRST USED: (REF)
			17 P40J
DESCRIPTION:			
DRAINAGE SYSTEM INSTL			
SHEET:	ITEM/PART NO.:	REV:	
1 OF 4	000210637 / 30330101000		
REF:		1 01-Sep-2017	



WASTE ASM
SUPPLIED W/FAUCET

TOILET-STYLE II
160815-01-CHT

1B1 265

1 150 1 225

T-1

P-1 1B1

P-3 265

A-15 1B1

1 165

E-1

SHOWER-FIBERGLASS, W/SEAT
184184-03-XXX

DETAIL CC
(SEE SHEET 3)

DETAIL BB

STRAP-CONDUIT, 2"
008406-01-000

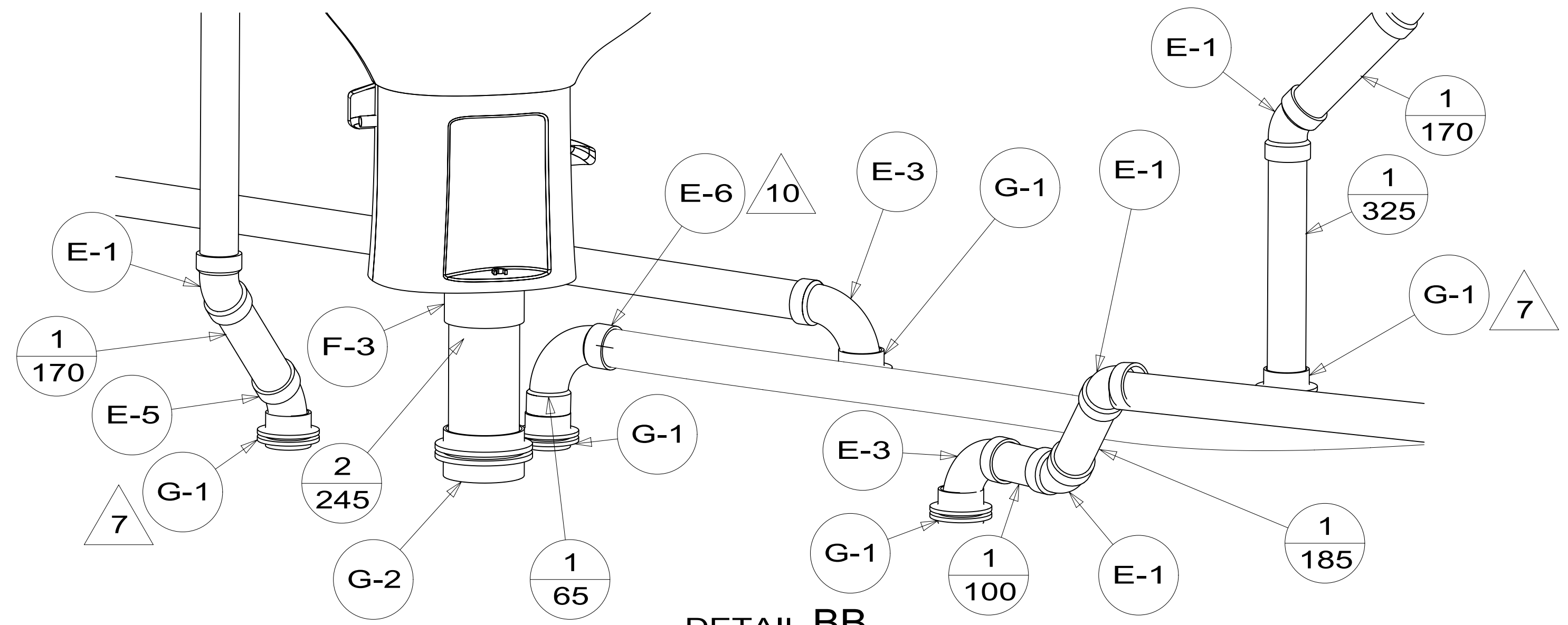
1 1950

VIEW BA

STRAP-CONDUIT, 2"
008406-01-000

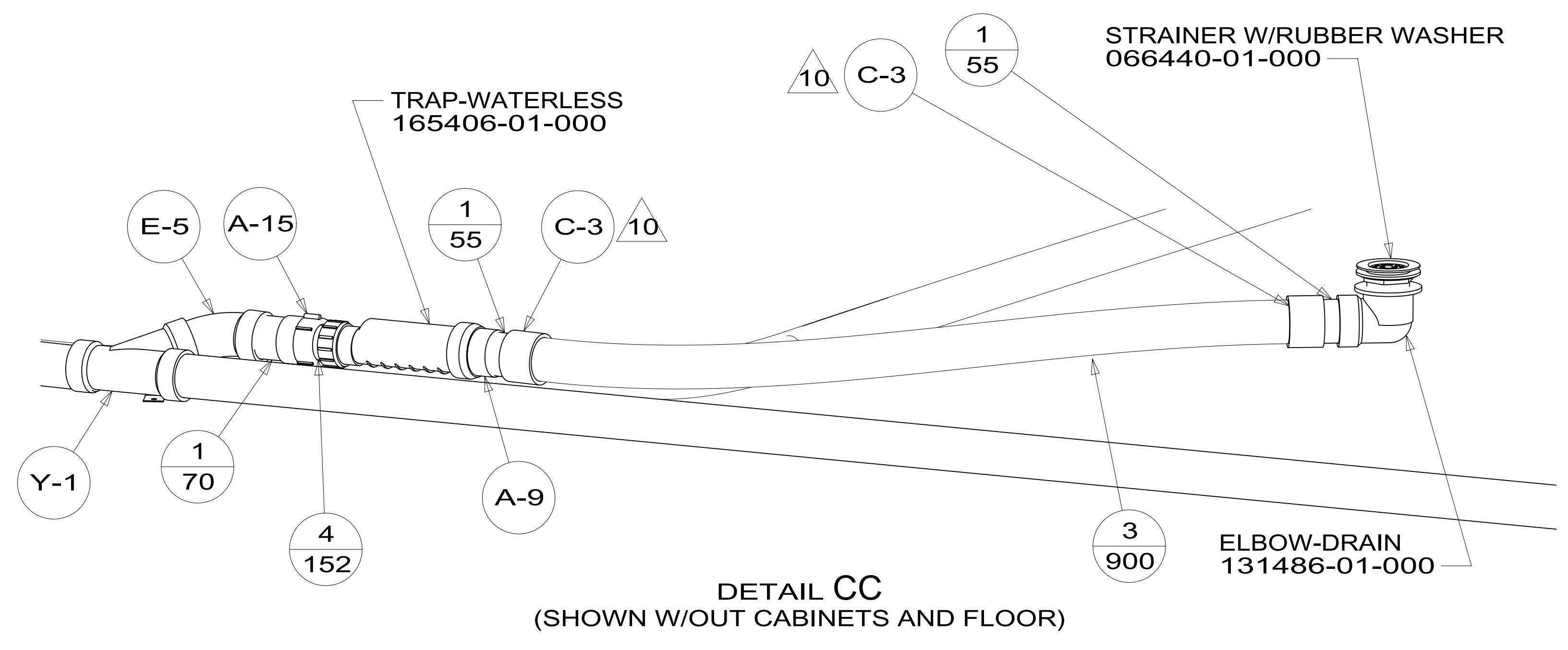
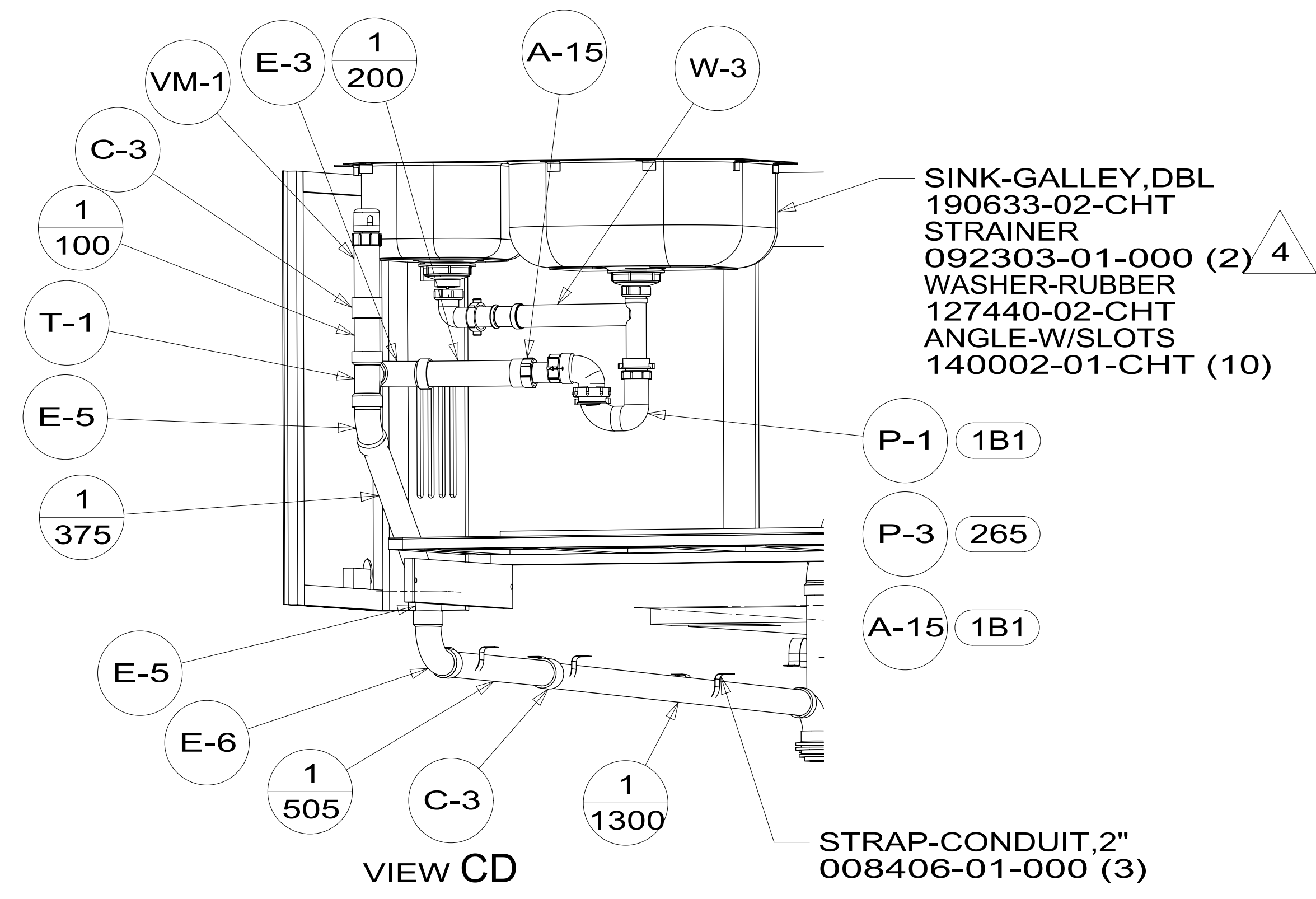
STRAP-CONDUIT, 2"
008406-01-000

1 2130

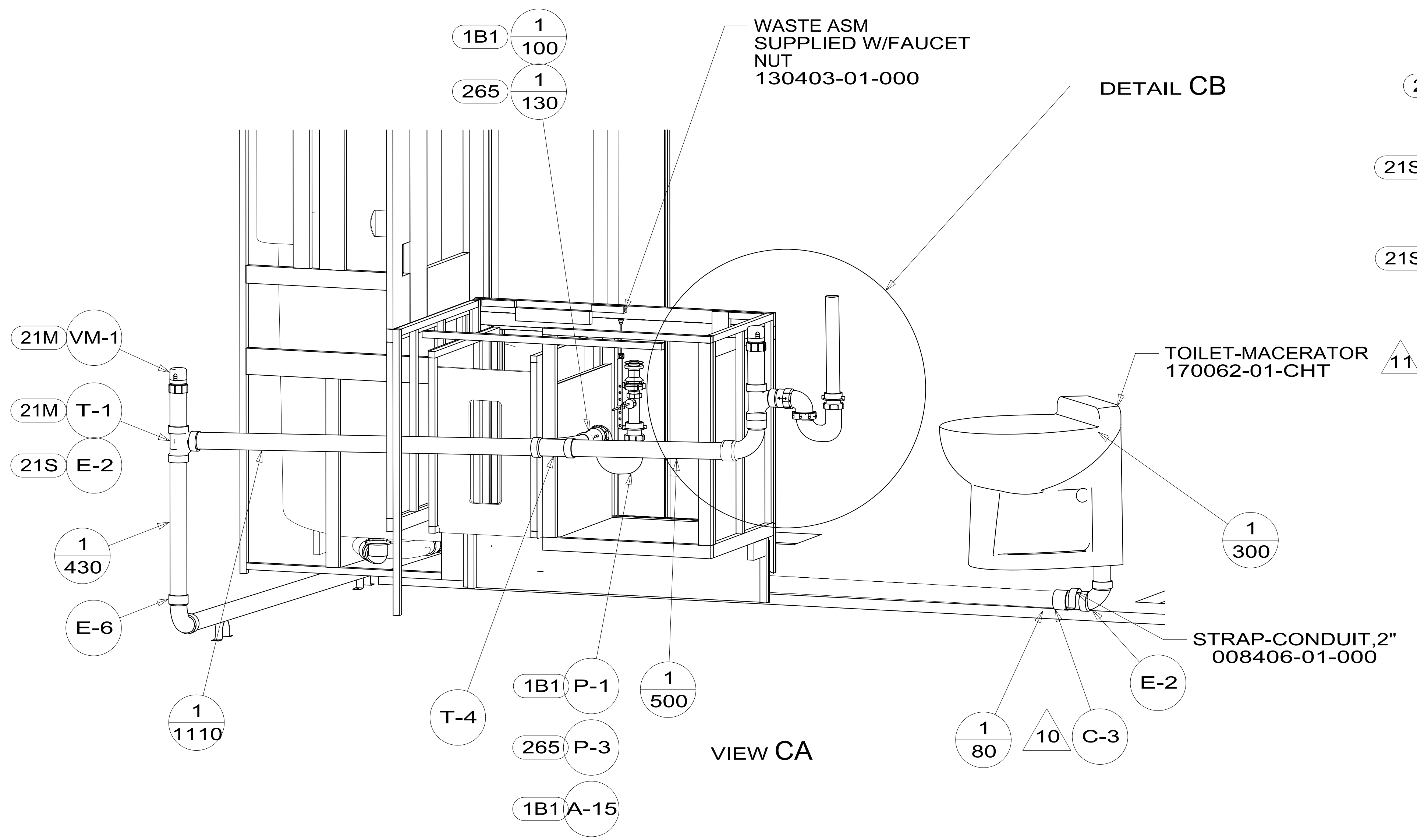


DETAIL BB
(SHOWN W/OUT CABINETS AND FLOOR)

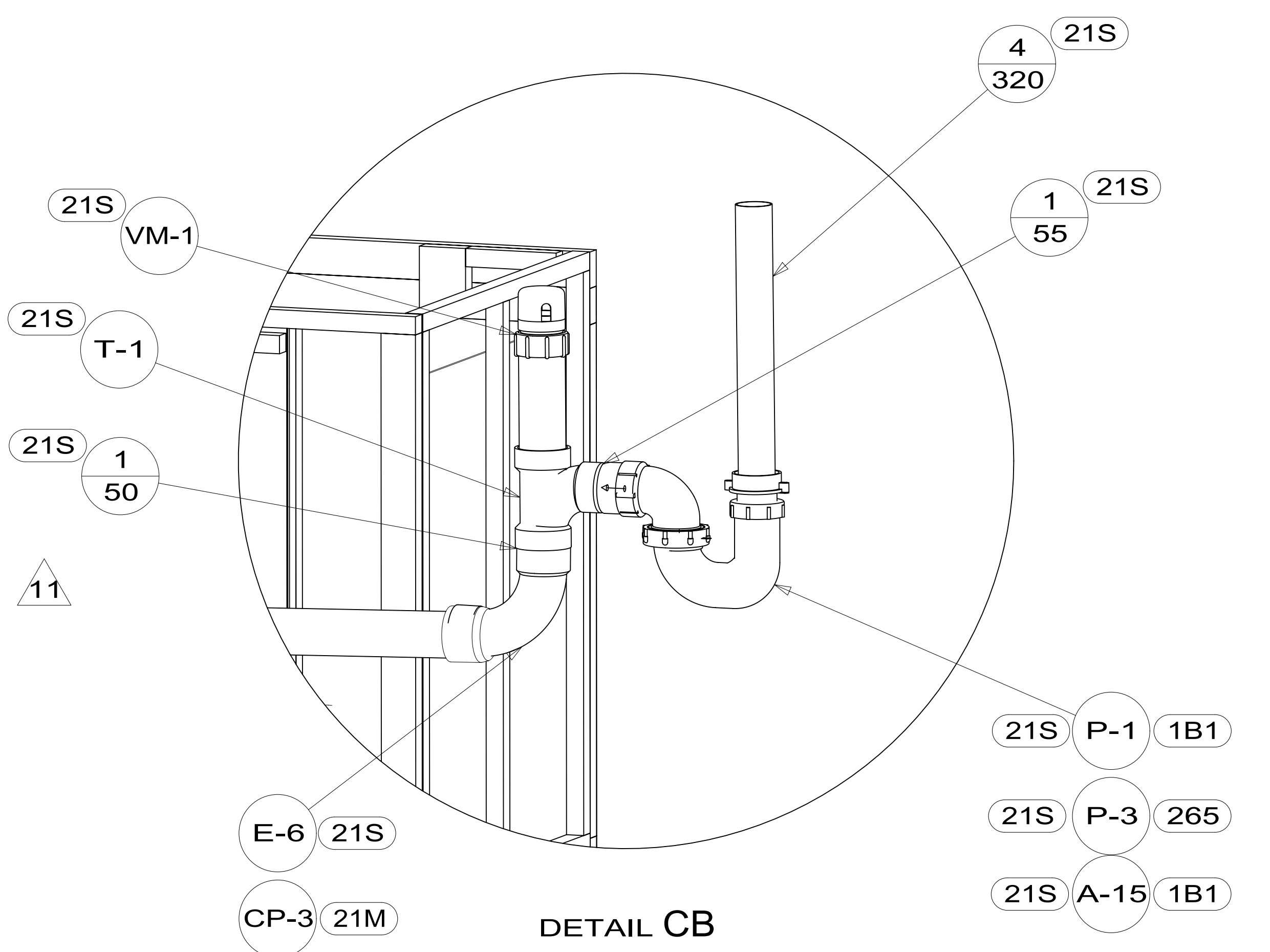
DESCRIPTION: DRAINAGE SYSTEM INSTL		
SHEET: 2 OF 4	ITEM/PART NO: 000210637 / 30330101000	REV
		01-Sep-2017



DETAIL CC
(SHOWN W/OUT CABINETS AND FLOOR)



VIEW CA



DETAIL CB

DESCRIPTION: DRAINAGE SYSTEM INSTL		
SHEET: 3 OF 4	ITEM/PART NO: 000210637 / 30330101000	REV
1 01-Sep-2017		

8 7 6 5 4 3 2 1

BRACKET ASM-TANK, DRAIN
000036692 / 318444-01-CHT

TANK ASM-HOLDING, 58 GAL
188171-02-000

BRACKET-ANGLE, W/HOLES
094756-02-CHT (4)

CHANNEL-SUPPORT, TANK
000026388 / 315617-01-CHT
BOLT
106956-03-000 (2)
WASHER
000E13-22-00U (2)

TANK ASM-HOLDING, 87 GAL
188172-02-000

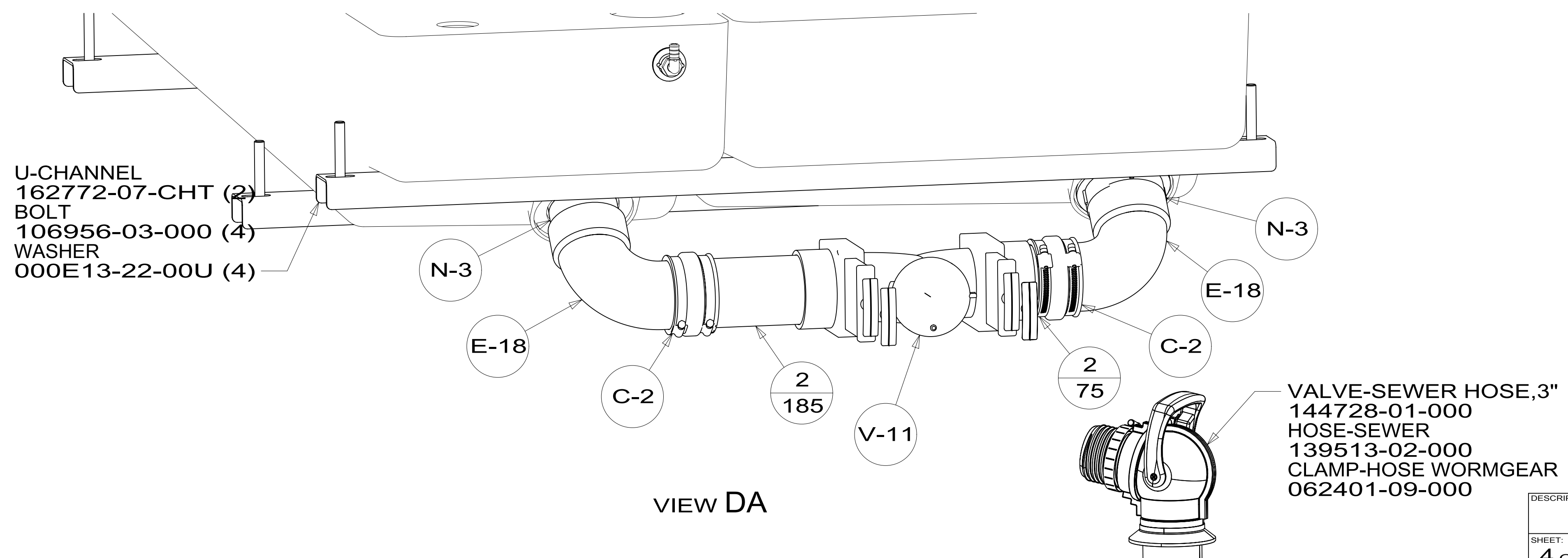
FRONT AXLE
VEHICLE

84
1245

DATUM
(CORNER OF
FLOOR FRAME)

168
4386
4852
168

TOP VIEW SHOWING TANKS AND DRAINS



VIEW DA

DESCRIPTION: DRAINAGE SYSTEM INSTL		
SHEET: 4 OF 4	ITEM/PART NO: 000210637 / 30330101000	REV

8 7 6 5 4 3 2 1 01-Sep-2017