

- NOTES:**
- 12. REQUIRES 5 GALLONS RV ANTIFREEZE 182955-01-000 PER TOLIET. FOLLOW TECMA TOLIET WINTERIZATION PROCEDURE.
  - 11. GLUE FITTING AFTER CABINET IS INSTALLED.
  - 10. APPLY PRIMER 126427-02-000 AND CEMENT 126427-01-000 BETWEEN ELBOW AND FLEX PIPE.
  - 9. SEE DRAWING 061607 FOR INSTALLATION OF GROMMETS.
  - 8. SECURE DRAINAGE PIPES TO CABINET USING WIRE TIE 108046-02-000, AND SCREW 000G67-10-12U AT INTERVALS OF NOT OF NOT MORE THAN 4 FEET APART.
  - 7. SECURE VENT PIPE TO GROMMET WITH CLAMP 062401-02-000.
  - 6. VENT PIPE MUST PROJECT 51 MIN AND 64 MAX ABOVE ROOF FOR PROPER FIT AND FUNCTION. ADD S-1 (116666-01-CHT SEAL-VENT PIPE) AROUND PIPE ON ROOF BEFORE VENT CAP IS INSTALLED.
  - 5. SEAL AROUND SHOWER WITH SILICONE.
  - 4. USE SMOOTH PLUMBERS PUTTY 167459-01-000 TO SEAL STRAINER (0.2 PER STRAINER).
  - 3. ALL PIPE AND FITTINGS TO BE ASSEMBLED WITH SOLVENT 004020-01-000 (USA), 004020-02-000 (CAN)
  - 2. SLOPE OF TRAP ARM MUST BE 6 PER 305 mm.
  - 1. SLOPE OF HORIZONTAL PIPING TO BE MINIMUM OF 3 PER 305 mm.

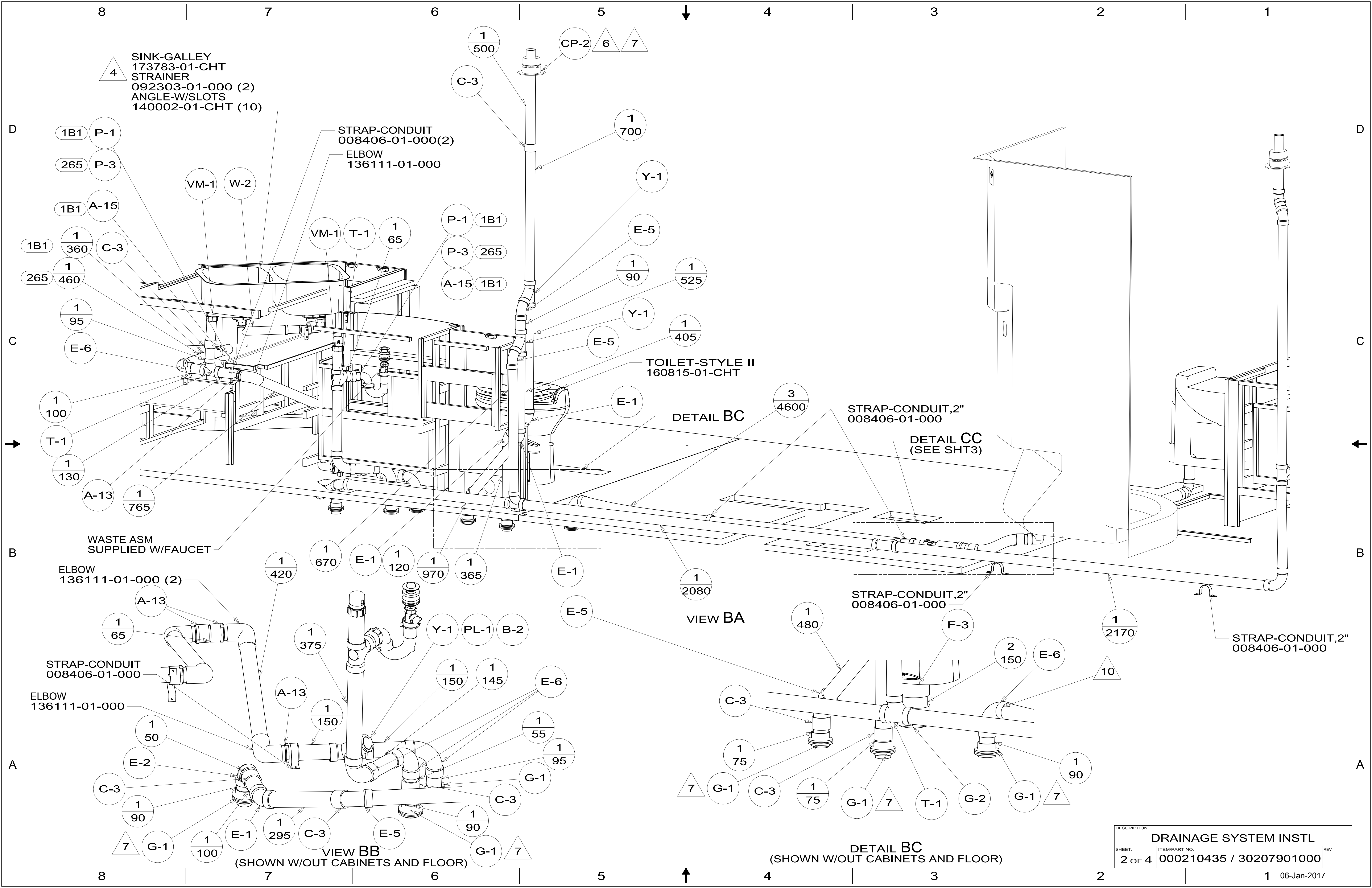
- 21S WASHER/DRYER STACKED
- 1B1 CODES/STANDARDS USA
- 265 CODES/STDS-CSA,CMVSS
- 21M WASHER/DRYER PREP

X-X

FOR  
DRAINAGE  
CALLOUTS  
SEE DWG NO.  
116229-01-000

**WINNEBAGO**<sup>®</sup>  
COPYRIGHT 2016 WINNEBAGO INDUSTRIES, INC.

DSNR:		ALL DIMENSIONS ARE IN MILLIMETERS	
DIFTR:			
UNSPECIFIED TOLERANCES:		MATERIAL:	
WHOLE DIM (X)	3		
ONE-PLACE (X.X)	1.5		
TWO-PLACE (X.XX)	0.50		
ANGLE	1°		
REFER TO ES0018 FOR FASTENER TIGHTENING GUIDELINES		WEIGHT: (LBS)	FIRST USED: (REF)
			<b>16 P42E</b>
<b>DESCRIPTION:</b>			
<b>DRAINAGE SYSTEM INSTL</b>			
SHEET:	ITEM/PART NO.:	REV:	
<b>1 OF 4</b>	<b>000210435 / 30207901000</b>		
REF:		1 06-Jan-2017	



4  
 SINK-GALLEY  
 173783-01-CHT  
 STRAINER  
 092303-01-000 (2)  
 ANGLE-W/SLOTS  
 140002-01-CHT (10)

STRAP-CONDUIT  
 008406-01-000(2)  
 ELBOW  
 136111-01-000

TOILET-STYLE II  
 160815-01-CHT

WASTE ASM  
 SUPPLIED W/FAUCET

STRAP-CONDUIT, 2"  
 008406-01-000

DETAIL CC  
 (SEE SHT3)

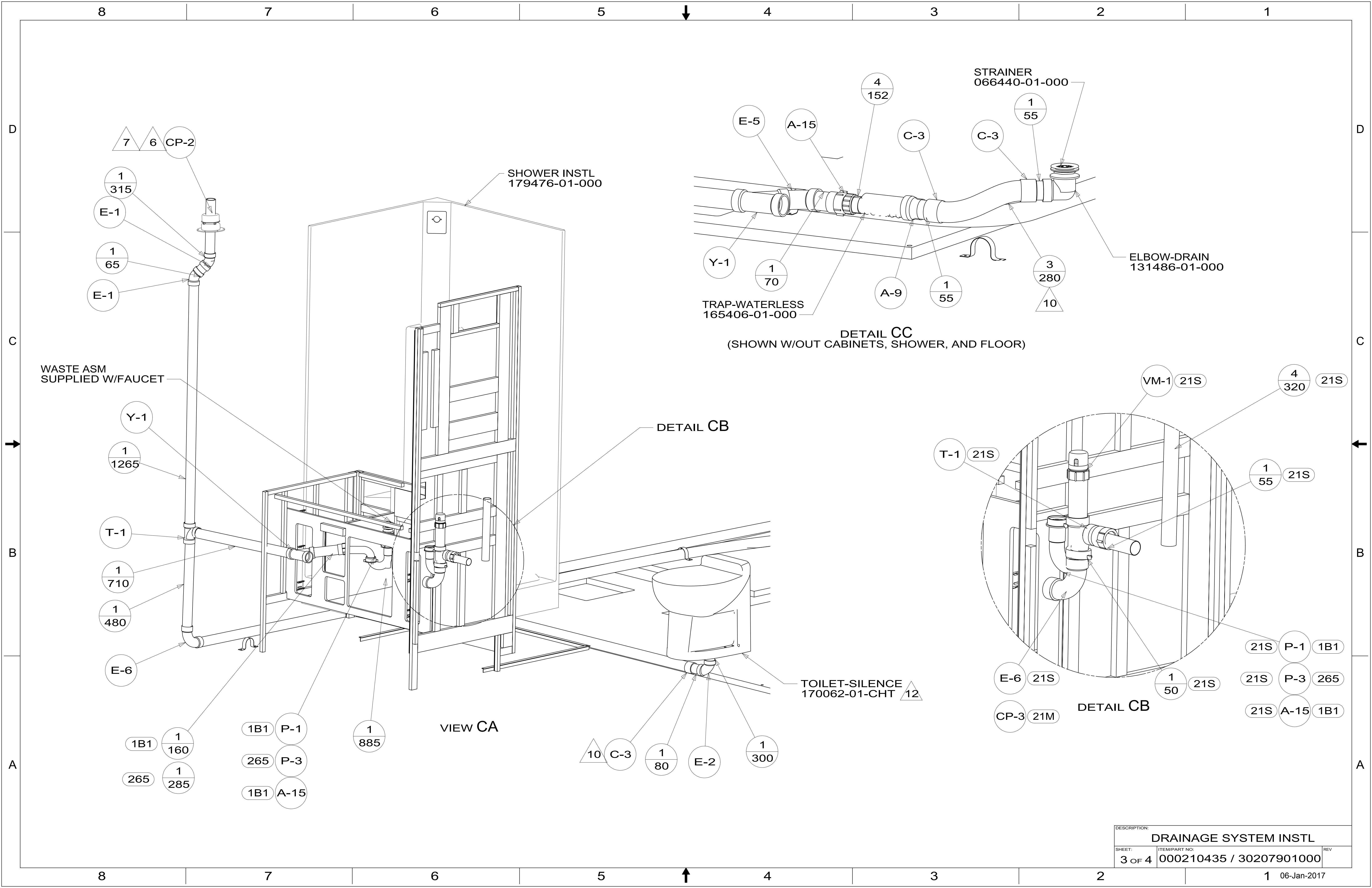
STRAP-CONDUIT, 2"  
 008406-01-000

STRAP-CONDUIT, 2"  
 008406-01-000

VIEW BB  
 (SHOWN W/OUT CABINETS AND FLOOR)

DETAIL BC  
 (SHOWN W/OUT CABINETS AND FLOOR)

DESCRIPTION: <b>DRAINAGE SYSTEM INSTL</b>		
SHEET: 2 OF 4	ITEM/PART NO: 000210435 / 30207901000	REV
1 06-Jan-2017		



SHOWER INSTL  
179476-01-000

WASTE ASM  
SUPPLIED W/FAUCET

VIEW CA

TRAP-WATERLESS  
165406-01-000

DETAIL CC  
(SHOWN W/OUT CABINETS, SHOWER, AND FLOOR)

STRAINER  
066440-01-000

ELBOW-DRAIN  
131486-01-000

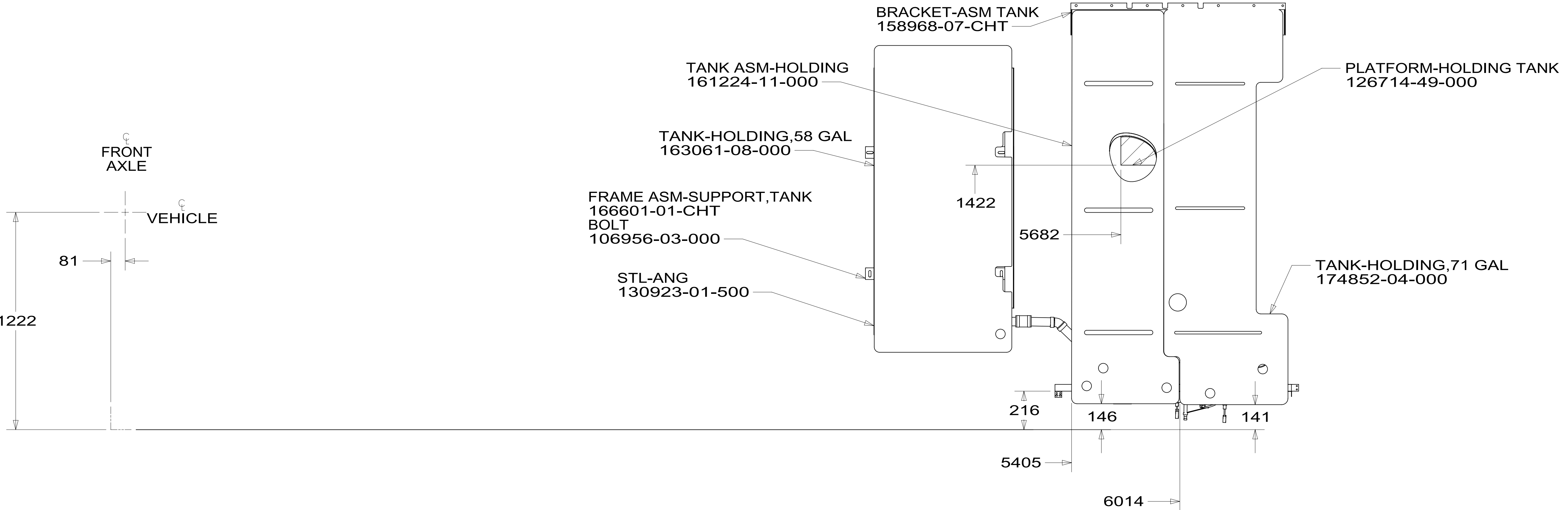
DETAIL CB

TOILET-SILENCE  
170062-01-CHT 12

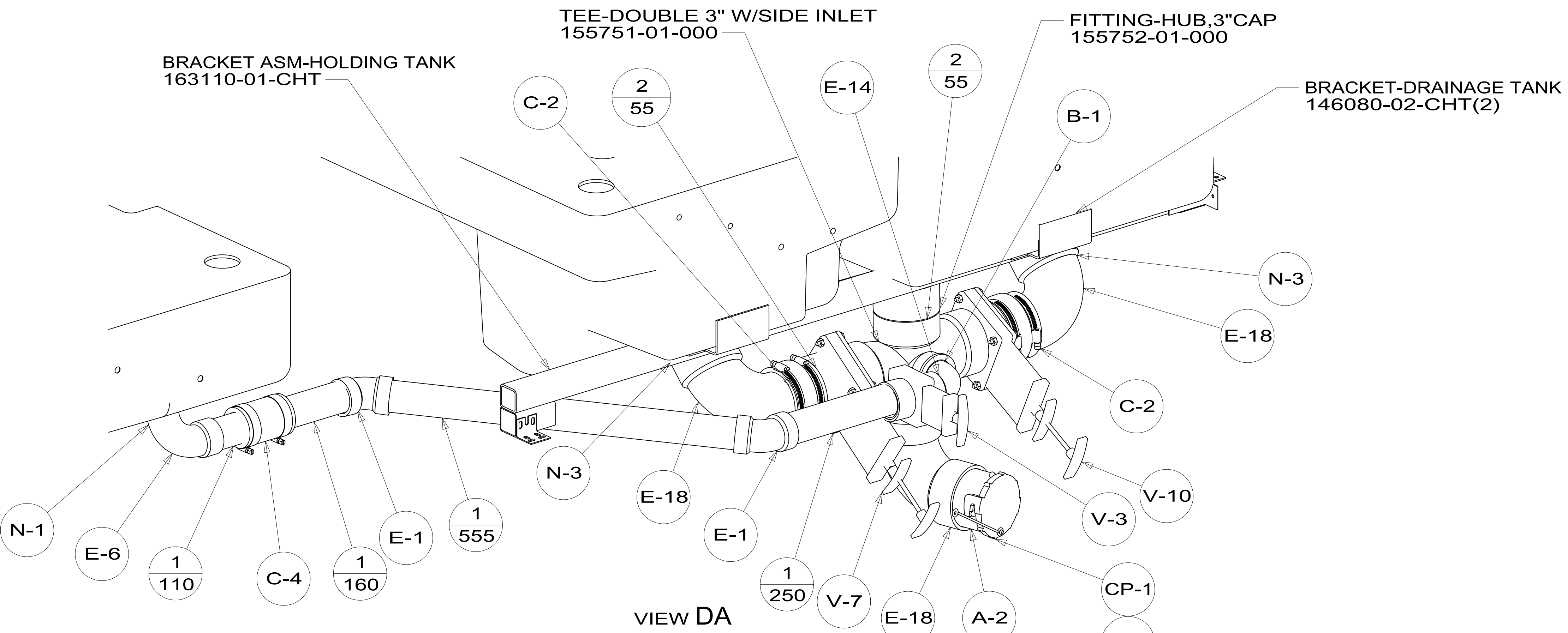
DETAIL CB

DESCRIPTION:	
DRAINAGE SYSTEM INSTL	
SHEET:	ITEM/PART NO:
3 OF 4	000210435 / 30207901000
REV	

8 7 6 5 4 3 2 1



### TOP VIEW SHOWING TANKS AND DRAINS



VIEW DA

VALVE-SEWER HOSE  
144728-01-000  
CLAMP-HOSE  
62401-09-000

DESCRIPTION: <b>DRAINAGE SYSTEM INSTL</b>		
SHEET: 4 OF 4	ITEM/PART NO: 000210435 / 30207901000	REV

8 7 6 5 4 3 2 1 06-Jan-2017