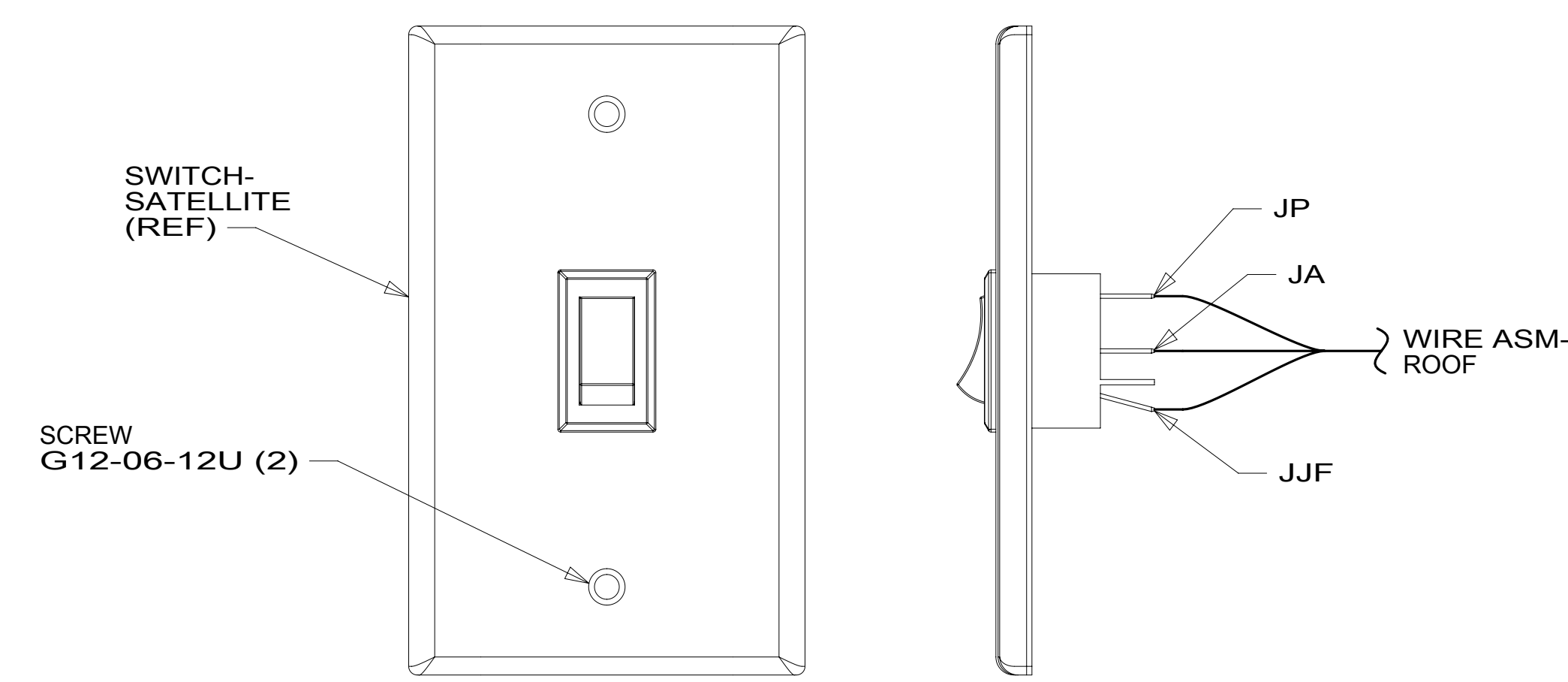
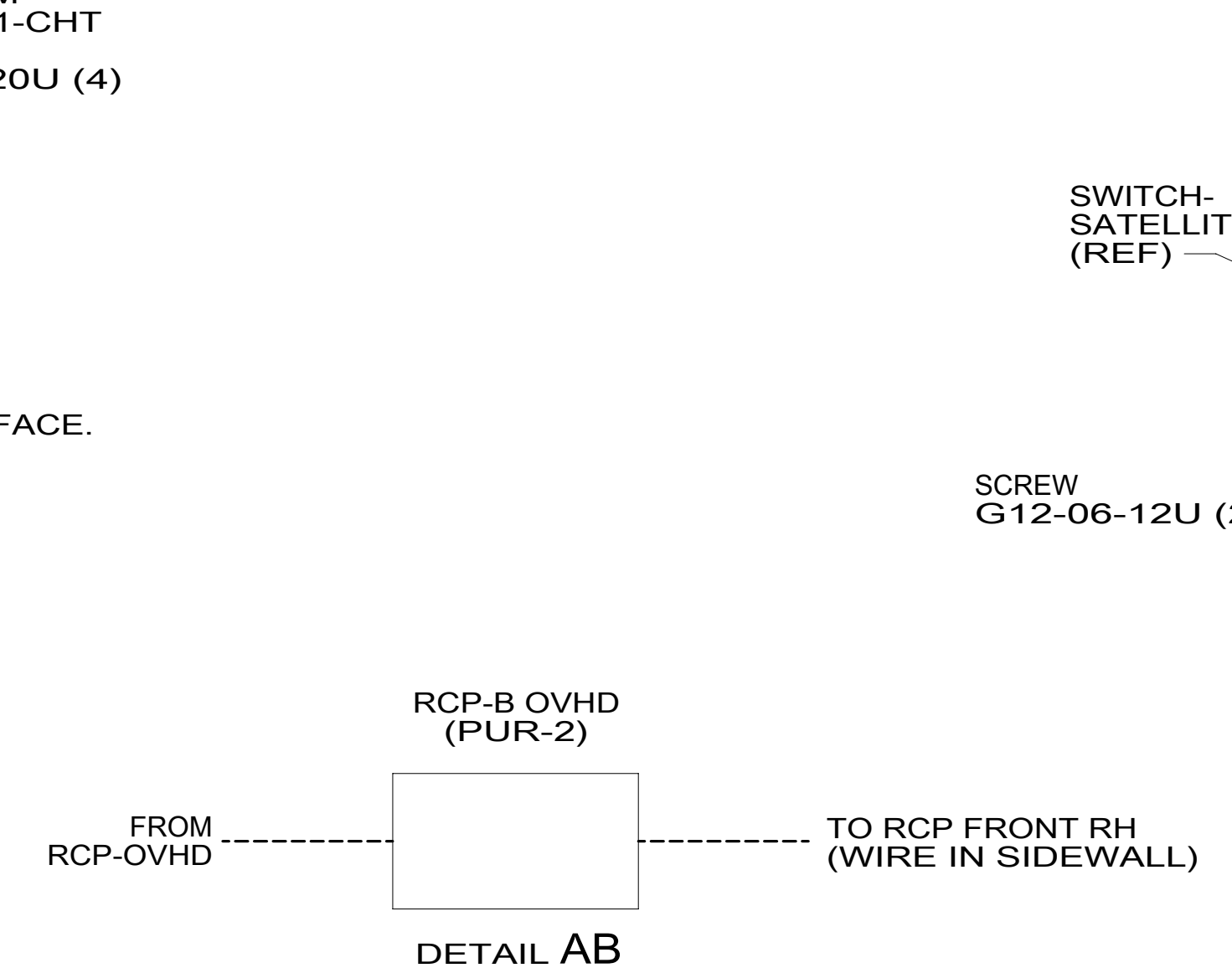


- 783 SATELLITE HD TV SYSTEM AUTOC
- 25M HOME THEATER SYSTEM, BLU-RAY
- 48P SAT TV SYSTEM IN-MOTION
- 78C SATELLITE SYSTEM READY
- 265 CODES/STANDARDS-CSA/CMVSS
- 1B1 CODES/STANDARDS USA

- NOTES:
- 6 CLEAN & APPLY ADHESIVE PROMOTER 87211-01-000 TO MOUNTING SURFACE.
  - 5 PLACE I.R. RECEIVER ON TOP OF 4X4 MATRIX FACING OPENING.
  - 4 INTERIOR CONTROL CONNECTS TO SATELLITE DATA CABLE. SEE ROOF ASM FOR ADDITIONAL INFORMATION.
  - 3 PLACE I.R.E. IN FRONT OF THE BLU-RAY PLAYER AS SHOWN. (150 MM FROM RIGHT SIDE)
  - 2 SET DVD PLAYER FOR AUDIO ON HDMI AND MAX VIDEO OUTPUT TO 1080i.
  - 1 SEE ROOF ASM FOR ADDITIONAL INFORMATION.

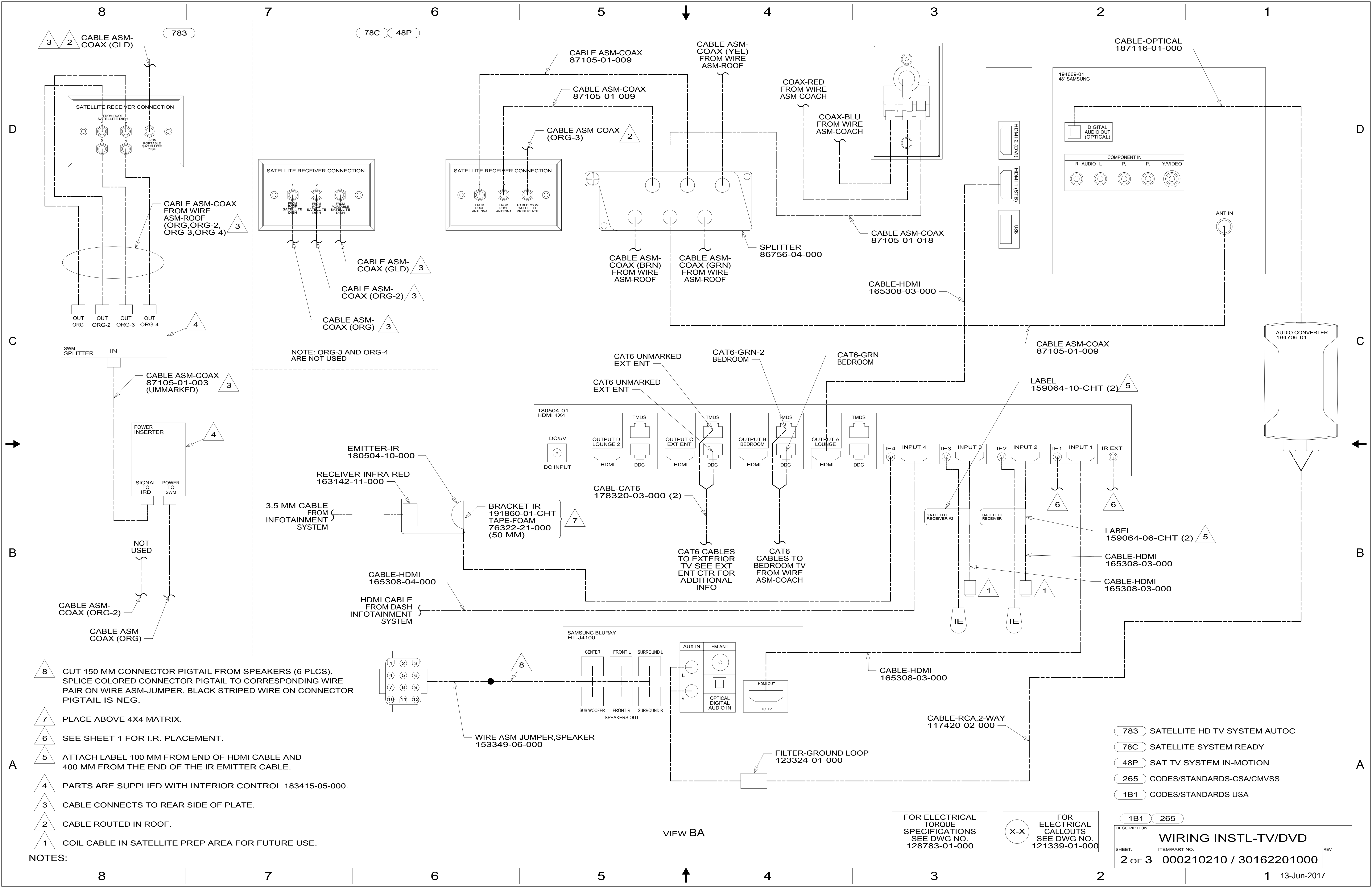


FOR ELECTRICAL TORQUE SPECIFICATIONS SEE DWG NO. 128783-01-000

FOR ELECTRICAL CALLOUTS SEE DWG NO. 121339-01-000

**WINNEBAGO**  
COPYRIGHT 2016 WINNEBAGO INDUSTRIES, INC.

DSNR:	ALL DIMENSIONS ARE IN MILLIMETERS
DFFR:	MATERIAL:
UNSPECIFIED TOLERANCES:	
WHOLE DIM (X) :	3
ONE-PLACE (X.X) :	1.5
TWO-PLACE (X.XX) :	0.50
ANGLE :	1°
REFER TO ES0018 FOR FASTENER TIGHTENING GUIDELINES	WEIGHT: (LBS) FIRST USED: 16 J35P
DESCRIPTION: <b>WIRING INSTL-TV/DVD</b>	
SHEET: 1 OF 3	ITEM/PART NO: 000210210 / 30162201000
REF:	1 13-Jun-2017



- NOTES:**
- 8 CUT 150 MM CONNECTOR PIGTAIL FROM SPEAKERS (6 PLCS). SPLICE COLORED CONNECTOR PIGTAIL TO CORRESPONDING WIRE PAIR ON WIRE JUMPER. BLACK STRIPED WIRE ON CONNECTOR PIGTAIL IS NEG.
  - 7 PLACE ABOVE 4X4 MATRIX.
  - 6 SEE SHEET 1 FOR I.R. PLACEMENT.
  - 5 ATTACH LABEL 100 MM FROM END OF HDMI CABLE AND 400 MM FROM THE END OF THE IR EMITTER CABLE.
  - 4 PARTS ARE SUPPLIED WITH INTERIOR CONTROL 183415-05-000.
  - 3 CABLE CONNECTS TO REAR SIDE OF PLATE.
  - 2 CABLE ROUTED IN ROOF.
  - 1 COIL CABLE IN SATELLITE PREP AREA FOR FUTURE USE.

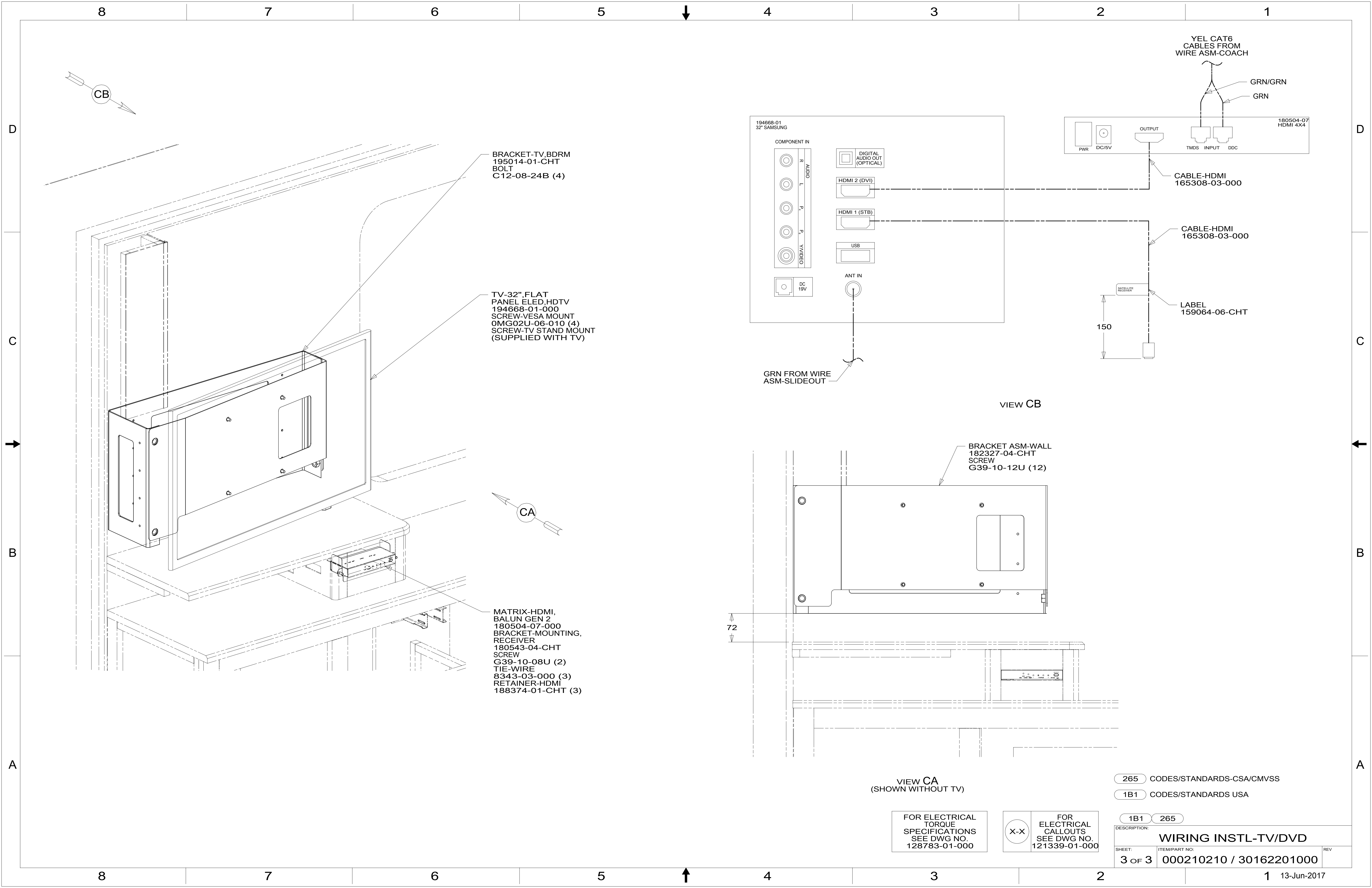
- 783 SATELLITE HD TV SYSTEM AUTOC
- 78C SATELLITE SYSTEM READY
- 48P SAT TV SYSTEM IN-MOTION
- 265 CODES/STANDARDS-CSA/CMVSS
- 1B1 CODES/STANDARDS USA

FOR ELECTRICAL TORQUE SPECIFICATIONS SEE DWG NO. 128783-01-000

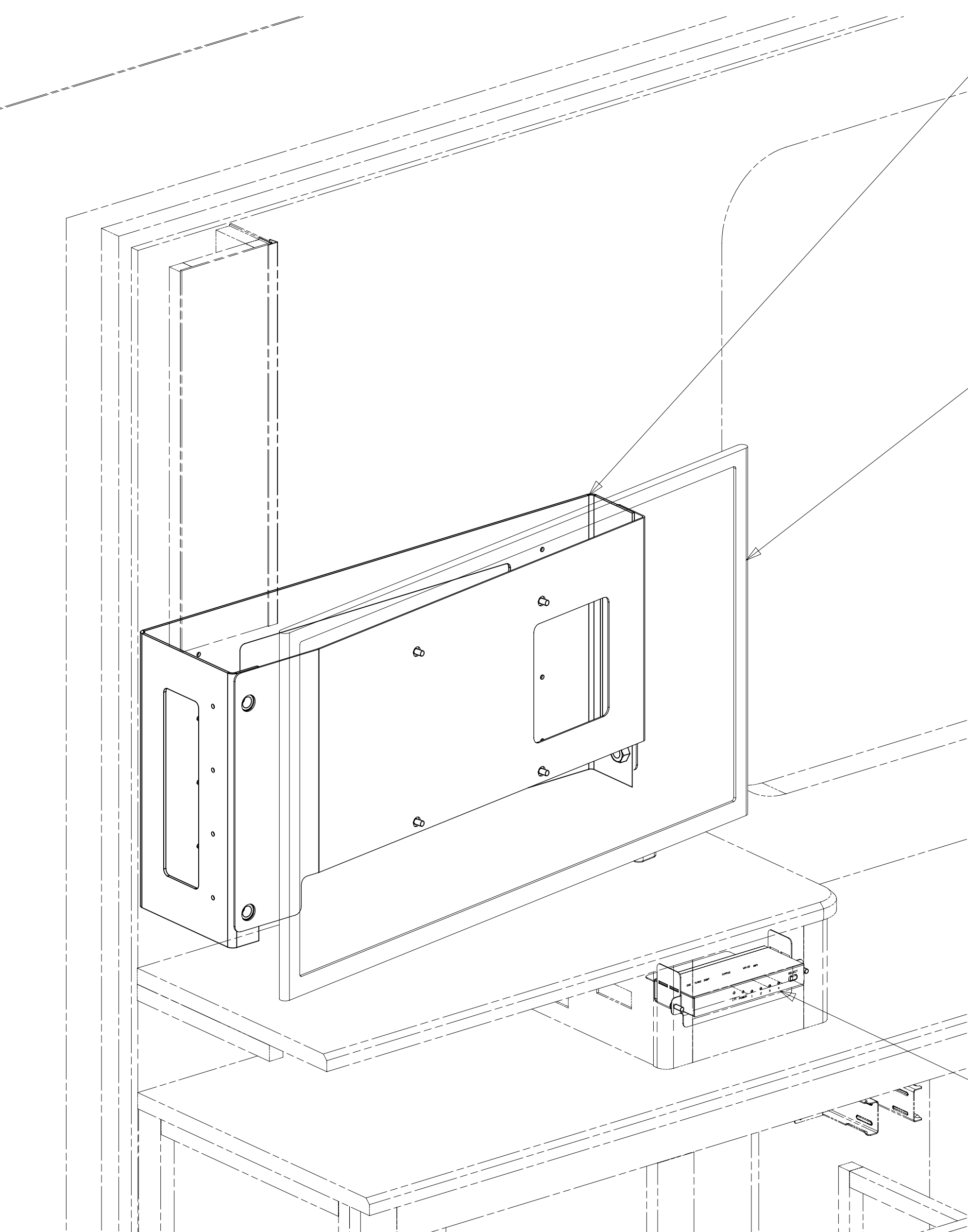
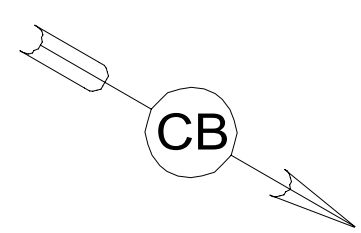
FOR ELECTRICAL CALLOUTS SEE DWG NO. 121339-01-000

1B1	265
DESCRIPTION:	
WIRING INSTL-TV/DVD	
SHEET:	ITEM/PART NO:
2 OF 3	000210210 / 30162201000
REV	
13-Jun-2017	

VIEW BA

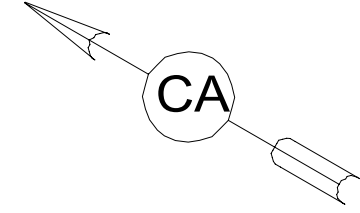


8 7 6 5 4 3 2 1

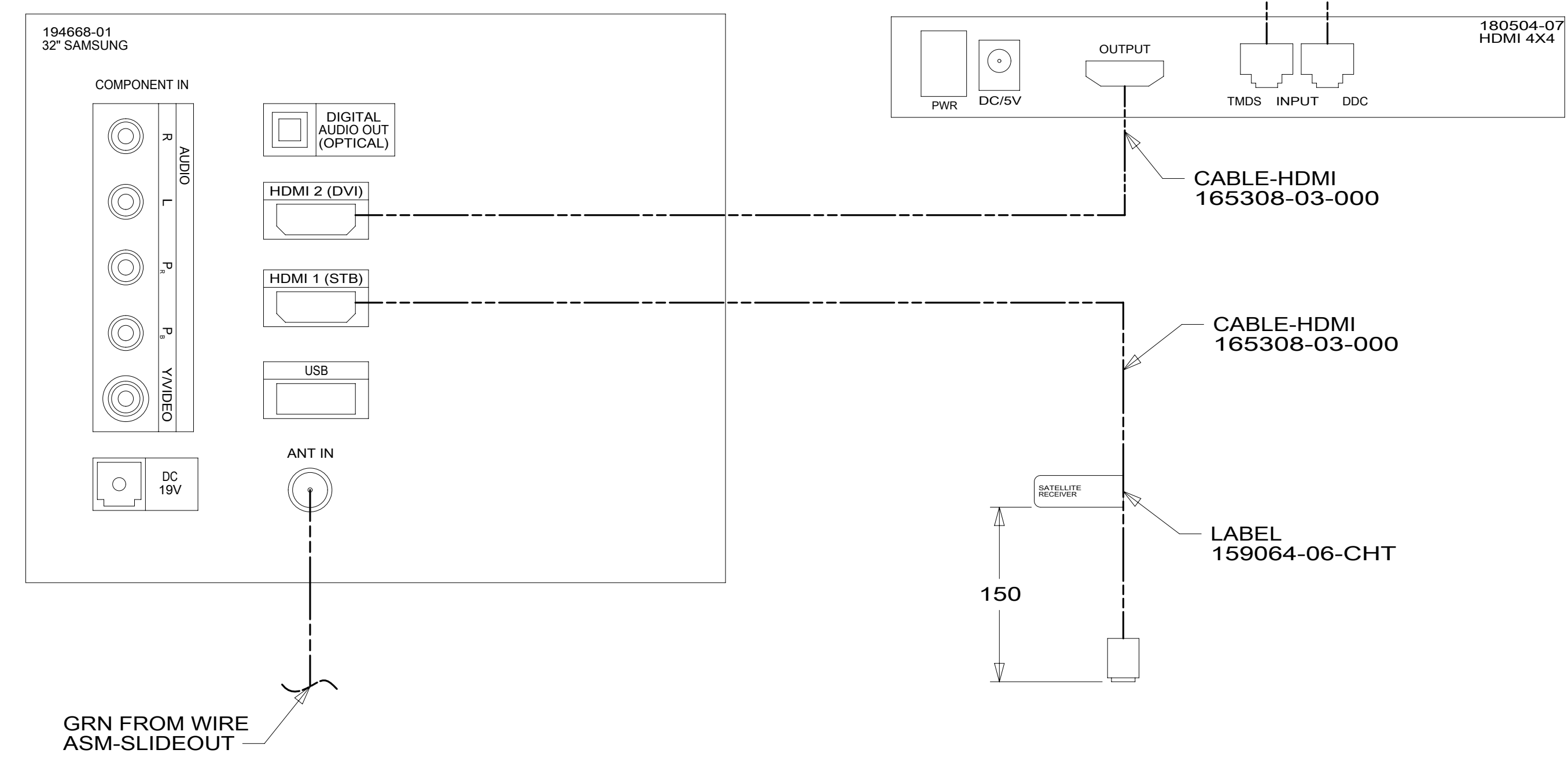


BRACKET-TV,BDRM  
195014-01-CHT  
BOLT  
C12-08-24B (4)

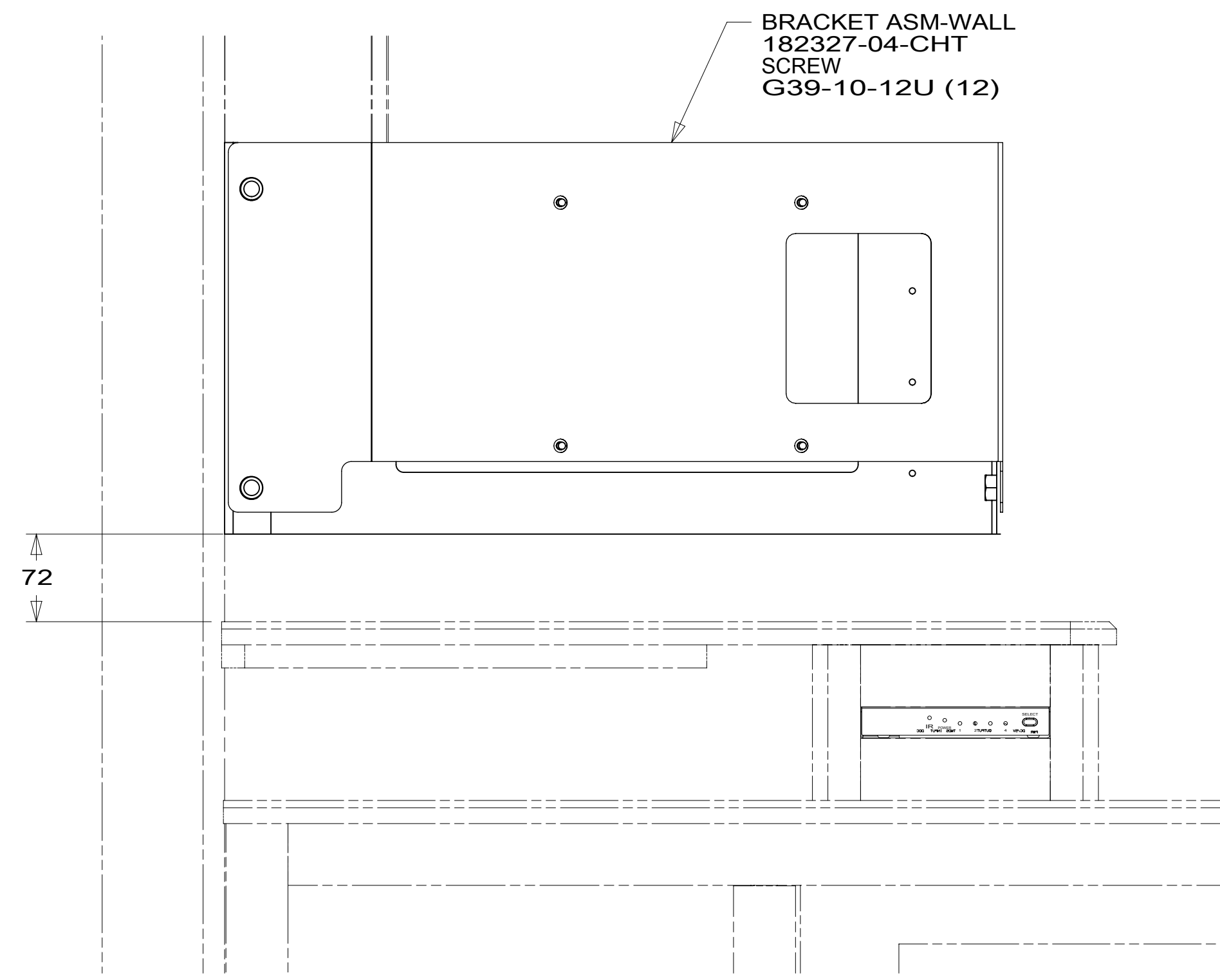
TV-32".FLAT  
PANEL ELED,HDTV  
194668-01-000  
SCREW-VESA MOUNT  
0MG02U-06-010 (4)  
SCREW-TV STAND MOUNT  
(SUPPLIED WITH TV)



MATRIX-HDMI,  
BALUN GEN 2  
180504-07-000  
BRACKET-MOUNTING,  
RECEIVER  
180543-04-CHT  
SCREW  
G39-10-08U (2)  
TIE-WIRE  
8343-03-000 (3)  
RETAINER-HDMI  
188374-01-CHT (3)



VIEW CB



VIEW CA  
(SHOWN WITHOUT TV)

265 CODES/STANDARDS-CSA/CMVSS  
1B1 CODES/STANDARDS USA

FOR ELECTRICAL TORQUE SPECIFICATIONS SEE DWG NO. 128783-01-000

FOR ELECTRICAL CALLOUTS SEE DWG NO. 121339-01-000

DESCRIPTION:	1B1 265	
<b>WIRING INSTL-TV/DVD</b>		
SHEET:	ITEM/PART NO.:	REV
3 OF 3	000210210 / 30162201000	

8 7 6 5 4 3 2 1 13-Jun-2017