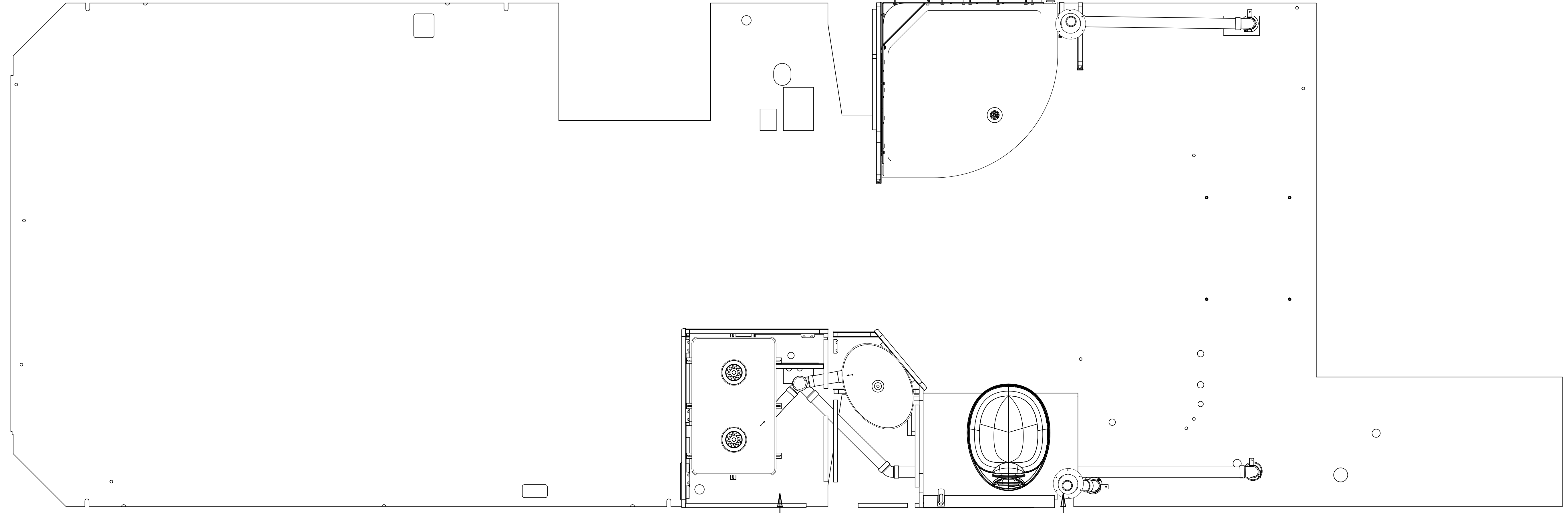


REV	ZONE	REVISION RECORD	DATE	DFTR-ORIG
A	---	INITIAL RELEASE	11-04-15	4569
B	---	NEW SINK-GALLEY	05/27/16	3650-3660
C	S2B4	REPLACE VM-1 WITH VM-2	6/2/17	0654
D	SHT2	W-3 WAS W-2	09-01-17	0626-1600
E	SHT4	C-5 WAS C-2	11-3-17	8378-9080



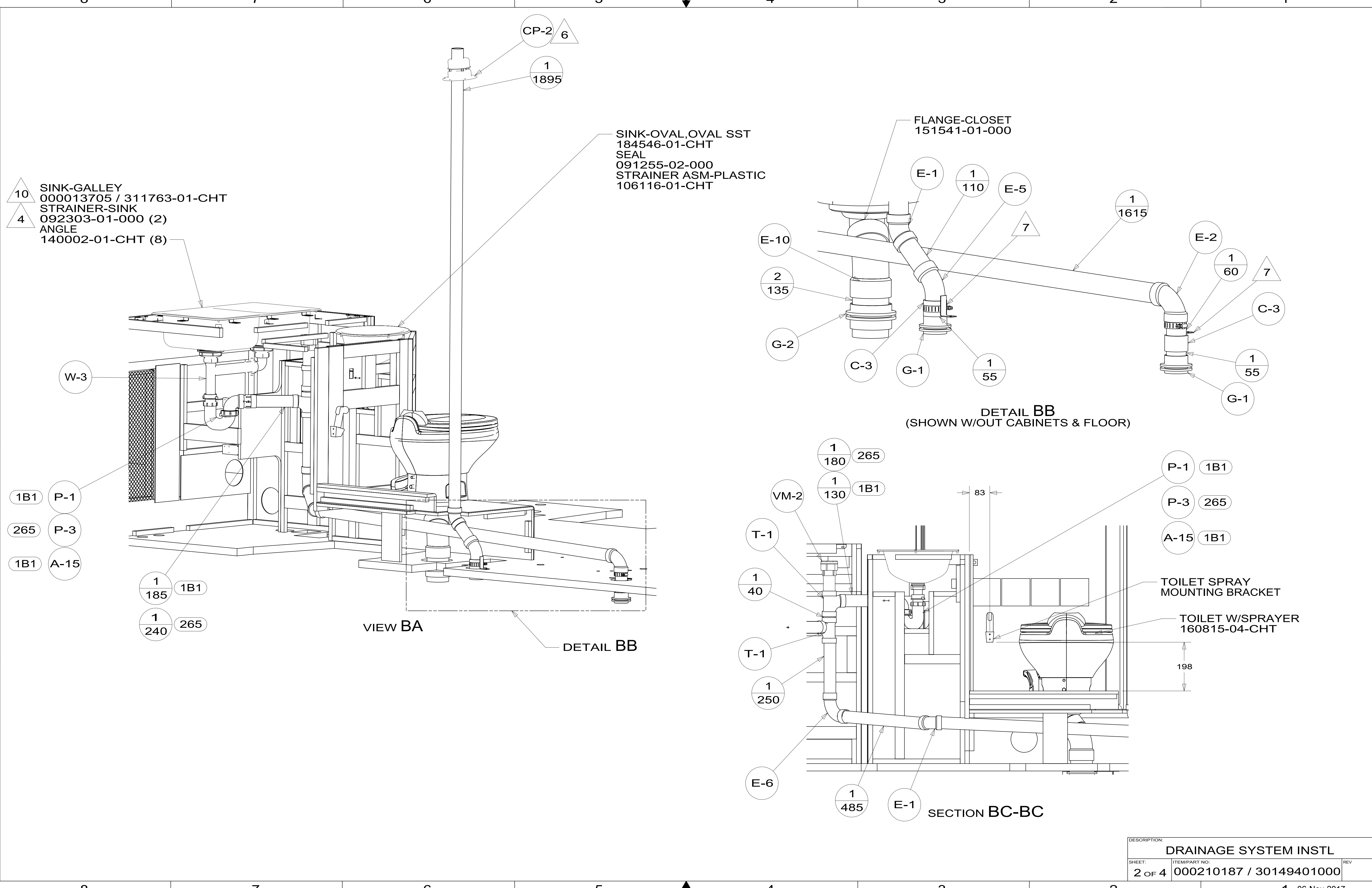
10. APPLY 1/4" BEAD OF SILICONE (131264-05-CHT) TO GLANGE BEFORE INSTALLATION AND THEN CAP SEAL SINK/CORIAN COUNTER TOP WITH SILICONE (131264-05-CHT).
9. SEE DRAWING 061607 FOR INSTALLATION OF GROMMETS.
8. SECURE DRAINAGE PIPES TO CABINET USING WIRE TIE 108046-02-000, AND SCREW 000G67-10-12U AT INTERVALS OF NOT OF NOT MORE THAN 4 FEET APART.
7. SECURE VENT PIPE TO FLOOR WITH CLAMP 062401-02-000 (2), SCREW 000G67-10-12U (2), BRACKET 136878-01-CHT (2).
6. VENT PIPE MUST PROJECT 51 MIN AND 64 MAX ABOVE ROOF FOR PROPER FIT AND FUNCTION. ADD S-1 (116666-01-CHT SEAL-VENT PIPE) AROUND PIPE ON ROOF BEFORE VENT CAP IS INSTALLED.
5. SEAL AROUND SHOWER WITH SILICONE.
4. USE SMOOTH PLUMBERS PUTTY 167459-01-000 TO SEAL STRAINER (0.2 PER STRAINER).
3. ALL PIPE AND FITTINGS TO BE ASSEMBLED WITH SOLVENT 004020-01-000 (USA), 004020-02-000 (CAN)
2. SLOPE OF TRAP ARM MUST BE 6 PER 305 mm.
1. SLOPE OF HORIZONTAL PIPING TO BE MINIMUM OF 3 PER 305 mm.

NOTES:

X-X  
FOR  
DRAINAGE  
CALLOUTS  
SEE DWG NO.  
000211962 /  
303370-01-000

**WINNEBAGO**  
COPYRIGHT 2017 WINNEBAGO INDUSTRIES, INC.

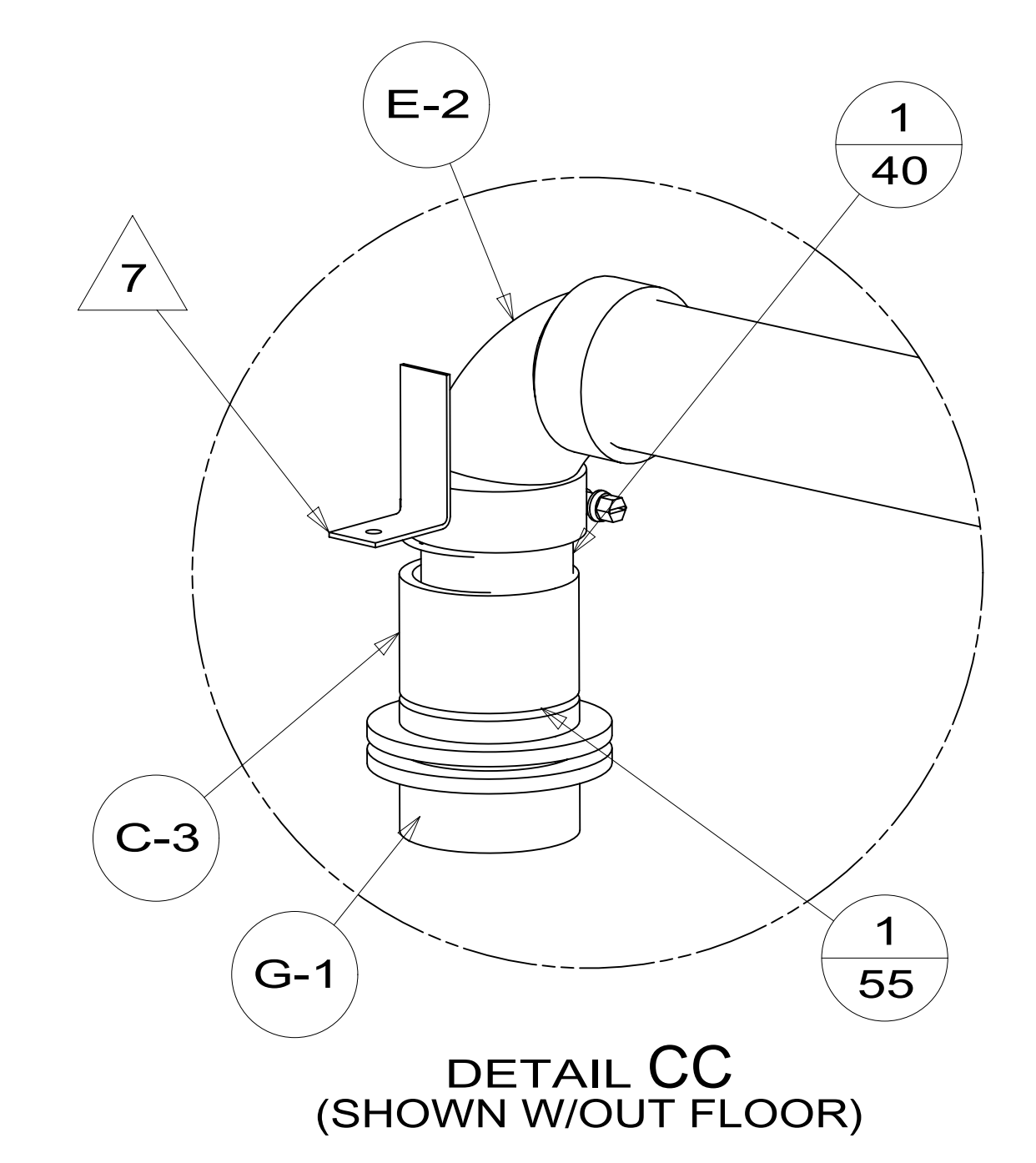
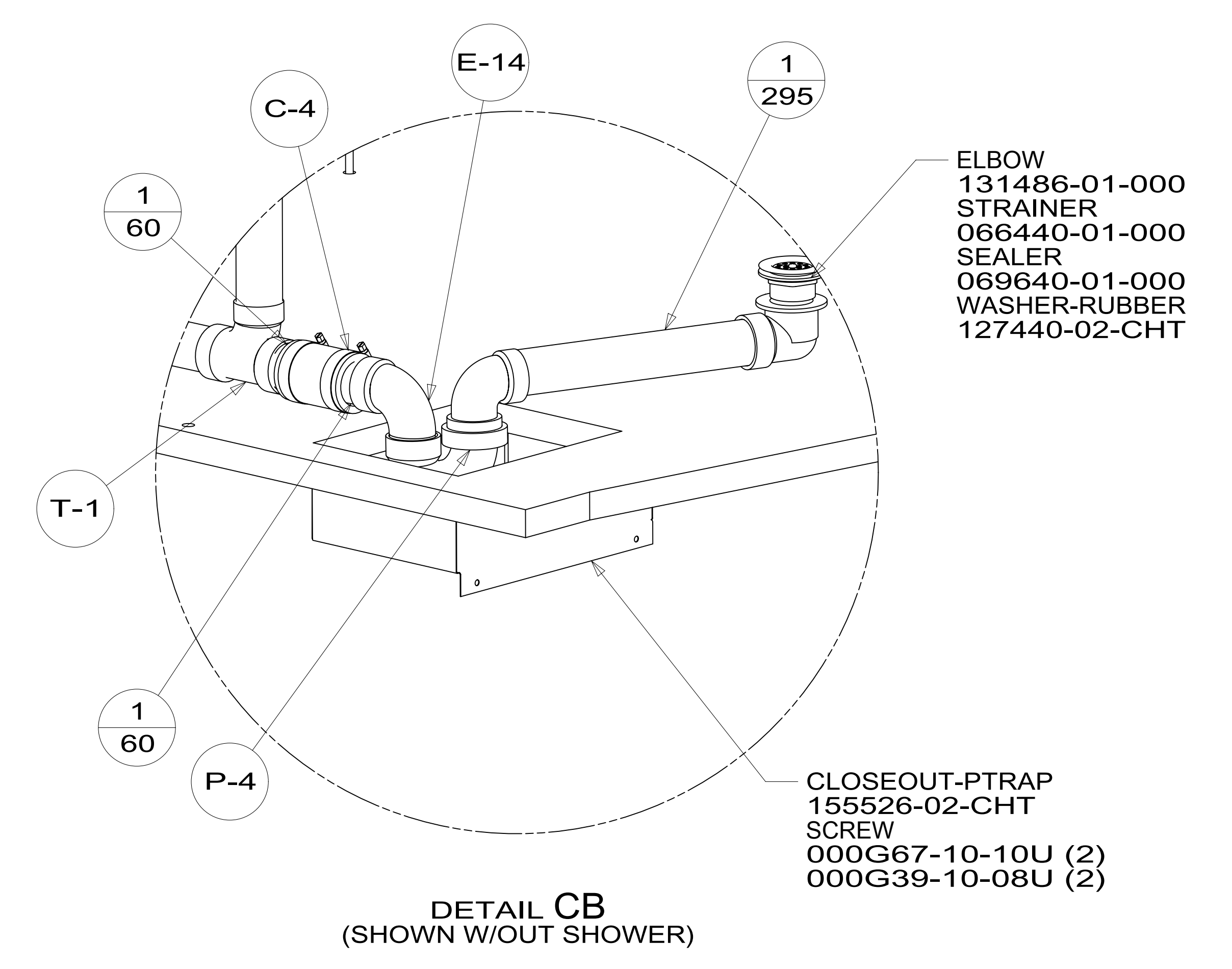
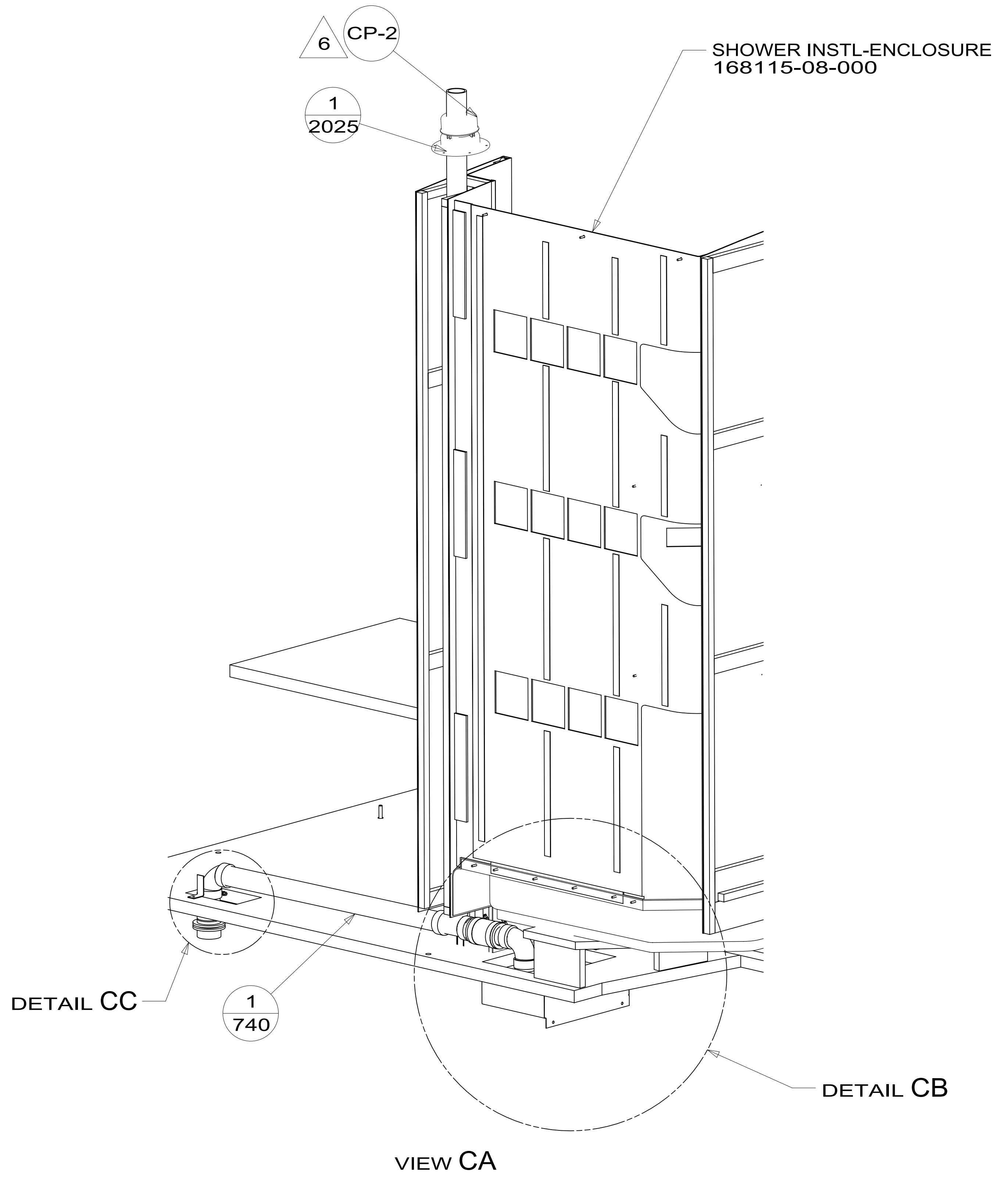
DSNR:		ALL DIMENSIONS ARE IN MILLIMETERS	
DFTR:			
UNSPECIFIED TOLERANCES:		MATERIAL:	
WHOLE DIM (X)	3		
ONE-PLACE (X.X)	1.5		
TWO-PLACE (X.XX)	0.50		
ANGLE	1°		
REFER TO ES0018 FOR FASTENER TIGHTENING GUIDELINES		WEIGHT: (LBS)	FIRST USED: (REF)
			<b>16 730J</b>
<b>DESCRIPTION:</b>			
<b>DRAINAGE SYSTEM INSTL</b>			
SHEET:	ITEM/PART NO:	REV	
<b>1 OF 4</b>	<b>000210187 / 30149401000</b>		
REF:		1 06-Nov-2017	



DESCRIPTION: <b>DRAINAGE SYSTEM INSTL</b>		
SHEET: 2 OF 4	ITEM/PART NO: 000210187 / 30149401000	REV
		1 06-Nov-2017

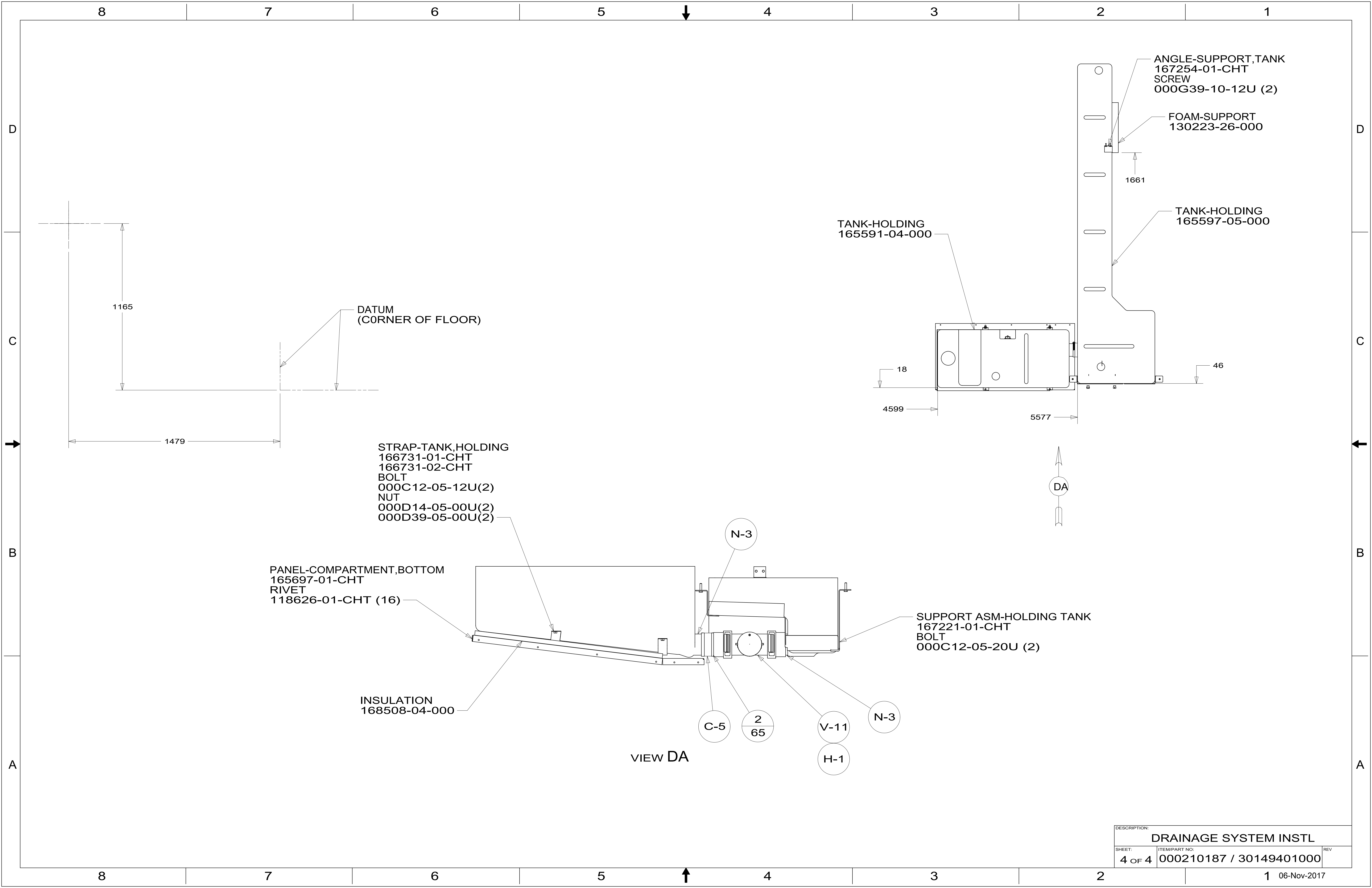
8 7 6 5 4 3 2 1

D  
C  
B  
A



DESCRIPTION: <b>DRAINAGE SYSTEM INSTL</b>		
SHEET: 3 OF 4	ITEM/PART NO: 000210187 / 30149401000	REV
		1 06-Nov-2017

8 7 6 5 4 3 2 1



STRAP-TANK, HOLDING  
 166731-01-CHT  
 166731-02-CHT  
 BOLT  
 000C12-05-12U(2)  
 NUT  
 000D14-05-00U(2)  
 000D39-05-00U(2)

PANEL-COMPARTMENT, BOTTOM  
 165697-01-CHT  
 RIVET  
 118626-01-CHT (16)

INSULATION  
 168508-04-000

TANK-HOLDING  
 165591-04-000

SUPPORT ASM-HOLDING TANK  
 167221-01-CHT  
 BOLT  
 000C12-05-20U (2)

ANGLE-SUPPORT, TANK  
 167254-01-CHT  
 SCREW  
 000G39-10-12U (2)

FOAM-SUPPORT  
 130223-26-000

TANK-HOLDING  
 165597-05-000

DA

VIEW DA

DESCRIPTION: <b>DRAINAGE SYSTEM INSTL</b>		
SHEET: <b>4 OF 4</b>	ITEM/PART NO: <b>000210187 / 30149401000</b>	REV