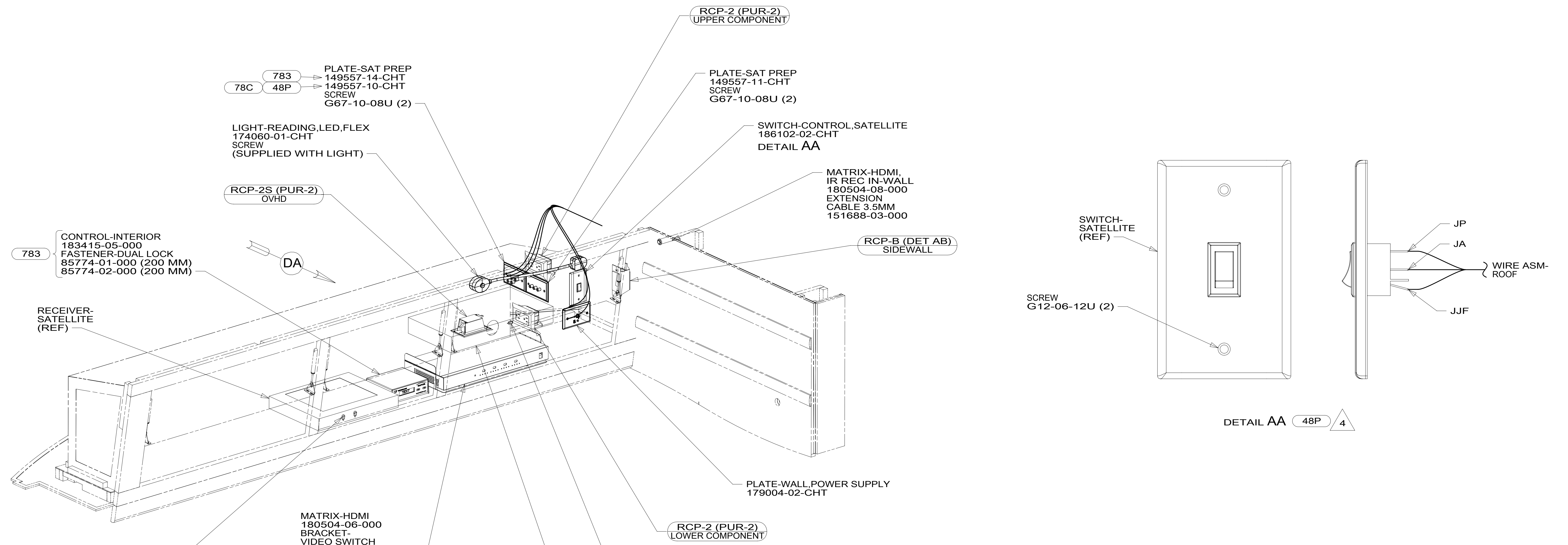


8 7 6 5 4 3 2 1

D
C
B
A



783 PLATE-SAT PREP
149557-14-CHT
149557-10-CHT
SCREW
G67-10-08U (2)

LIGHT-READING,LED,FLEX
174060-01-CHT
SCREW
(SUPPLIED WITH LIGHT)

RCP-2S (PUR-2)
OVHD

RCP-2 (PUR-2)
UPPER COMPONENT

PLATE-SAT PREP
149557-11-CHT
SCREW
G67-10-08U (2)

SWITCH-CONTROL,SATELLITE
186102-02-CHT
DETAIL AA

MATRIX-HDMI,
IR REC IN-WALL
180504-08-000
EXTENSION
CABLE 3.5MM
151688-03-000

RCP-B (DET AB)
SIDEWALL

SWITCH-
SATELLITE
(REF)

SCREW
G12-06-12U (2)

DETAIL AA 48P 4

783 CONTROL-INTERIOR
183415-05-000
FASTENER-DUAL LOCK
85774-01-000 (200 MM)
85774-02-000 (200 MM)

RECEIVER-
SATELLITE
(REF)

DA

RCP-2 (PUR-2)
LOWER COMPONENT

PLATE-WALL,POWER SUPPLY
179004-02-CHT

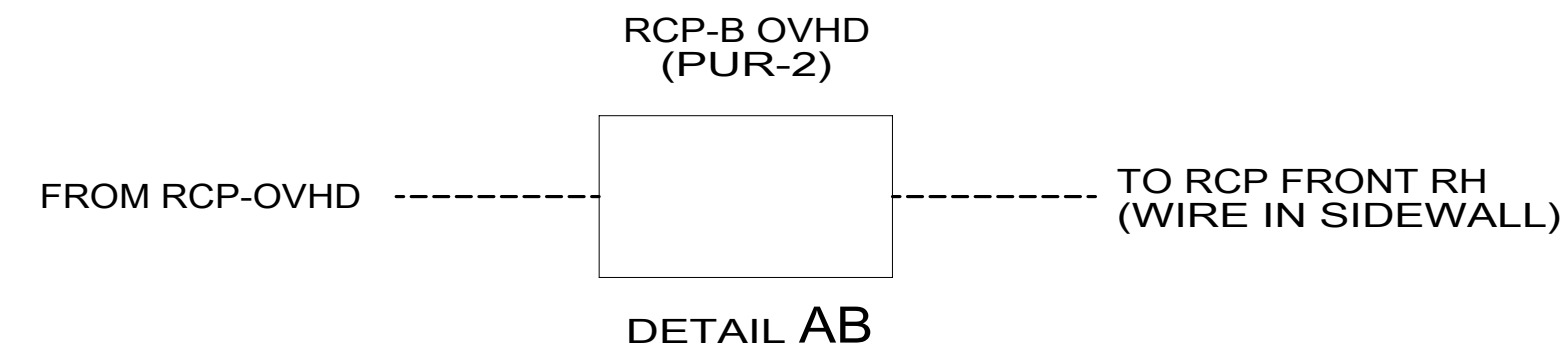
TRANSMITTER-
INFRARED,IMPACT
180504-10-000 (2)
(SATELLITE PREP)

MATRIX-HDMI
180504-06-000
BRACKET-
VIDEO SWITCH
156586-08-CHT
SCREW
G11-08-12U (4)
RETAINER-HDMI
188374-02-CHT (3)

TRANSMITTER-
INFRARED,IMPACT
180504-10-000 5

BLU-RAY HOME THEATER
000120782 / 322837-01-000
FASTENER-DUAL LOCK
85774-01-000
85774-02-000 25M 6

- NOTES:
- 6 SET DVD PLAYER FOR AUDIO ON HDMI AND MAX VIDEO OUTPUT TO 1080i.
 - 5 PLACE I.R.E. IN FRONT OF THE BLU-RAY PLAYER AS SHOWN. (150 MM FROM RIGHT SIDE)
 - 4 SEE ROOF ASM FOR ADDITIONAL INFORMATION.
 - 3. WHERE WIRES PASS THROUGH HOLES IN STEEL AND NOT OTHERWISE PROTECTED, USE GROMMET 92908-02-000.
 - 2. ALL WIRES TO BE SECURED WITH CLAMP 10495-01-000 OR CLIP 80734-01-000 EVERY 600MM. USE SCREW G67-10-12U UNLESS OTHERWISE SPECIFIED.
 - 1. 110V WIRE TO BE CLAMPED WITH CLAMP 10497-05-000 WITHIN 200MM OF OUTLET BOXES, USE SCREW G67-10-12U.



FOR ELECTRICAL
TORQUE
SPECIFICATIONS
SEE DWG NO.
128783-01-000

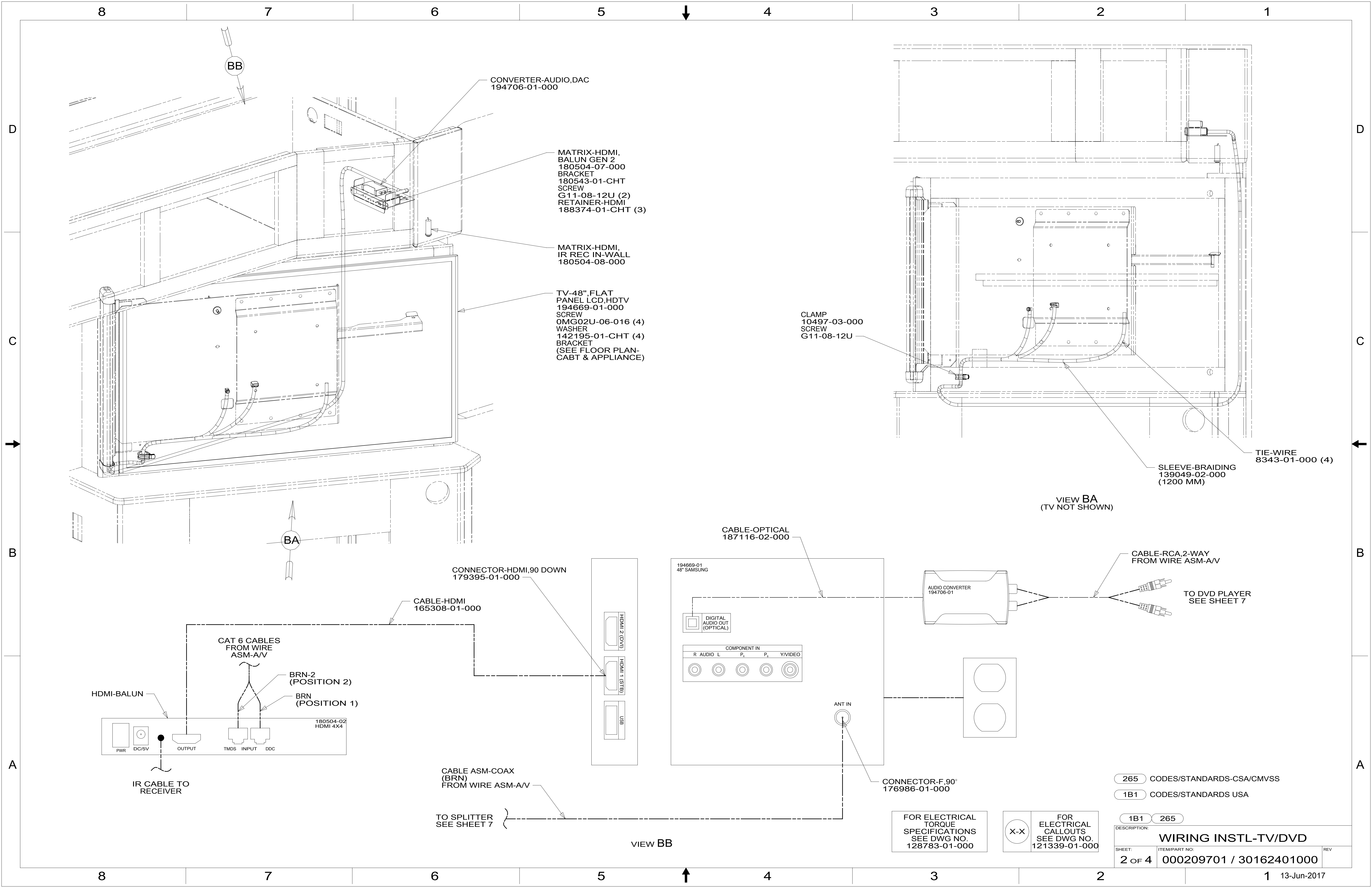
FOR ELECTRICAL
CALLOUTS
SEE DWG NO.
121339-01-000

- 783 SATELLITE HD TV SYSTEM AUTOC
- 25M HOME THEATER SYSTEM, BLU-RAY
- 48P SAT TV SYSTEM IN-MOTION
- 78C SATELLITE SYSTEM READY
- 265 CODES/STANDARDS-CSA/CMVSS
- 1B1 CODES/STANDARDS USA

1B1 265

WINNEBAGO
COPYRIGHT 2016 WINNEBAGO INDUSTRIES, INC.

DSNR:	ALL DIMENSIONS ARE IN MILLIMETERS	
DFFR:		
UNSPECIFIED TOLERANCES:	MATERIAL:	
WHOLE DIM (X) : 3		
ONE-PLACE (X.X) : 1.5		
TWO-PLACE (X.XX) : 0.50		
ANGLE : 1°		
REFER TO ES0018 FOR FASTENER TIGHTENING GUIDELINES	WEIGHT: (LBS)	FIRST USED:
		16 J38Q
DESCRIPTION: WIRING INSTL-TV/DVD		
SHEET: 1 OF 4	ITEM/PART NO: 000209701 / 30162401000	REV:
REF:		1 13-Jun-2017



CONVERTER-AUDIO,DAC
194706-01-000

MATRIX-HDMI,
BALUN GEN 2
180504-07-000
BRACKET
180543-01-CHT
SCREW
G11-08-12U (2)
RETAINER-HDMI
188374-01-CHT (3)

MATRIX-HDMI,
IR REC IN-WALL
180504-08-000

TV-48",FLAT
PANEL LCD,HDTV
194669-01-000
SCREW
OMG02U-06-016 (4)
WASHER
142195-01-CHT (4)
BRACKET
(SEE FLOOR PLAN-
CABT & APPLIANCE)

CLAMP
10497-03-000
SCREW
G11-08-12U

TIE-WIRE
8343-01-000 (4)

SLEEVE-BRAIDING
139049-02-000
(1200 MM)

VIEW BA
(TV NOT SHOWN)

CABLE-OPTICAL
187116-02-000

CONNECTOR-HDMI,90 DOWN
179395-01-000

CABLE-HDMI
165308-01-000

CAT 6 CABLES
FROM WIRE
ASM-A/V

BRN-2
(POSITION 2)
BRN
(POSITION 1)

HDMI-BALUN

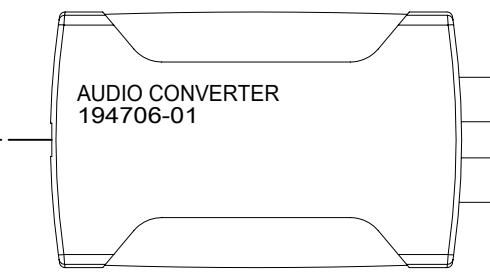
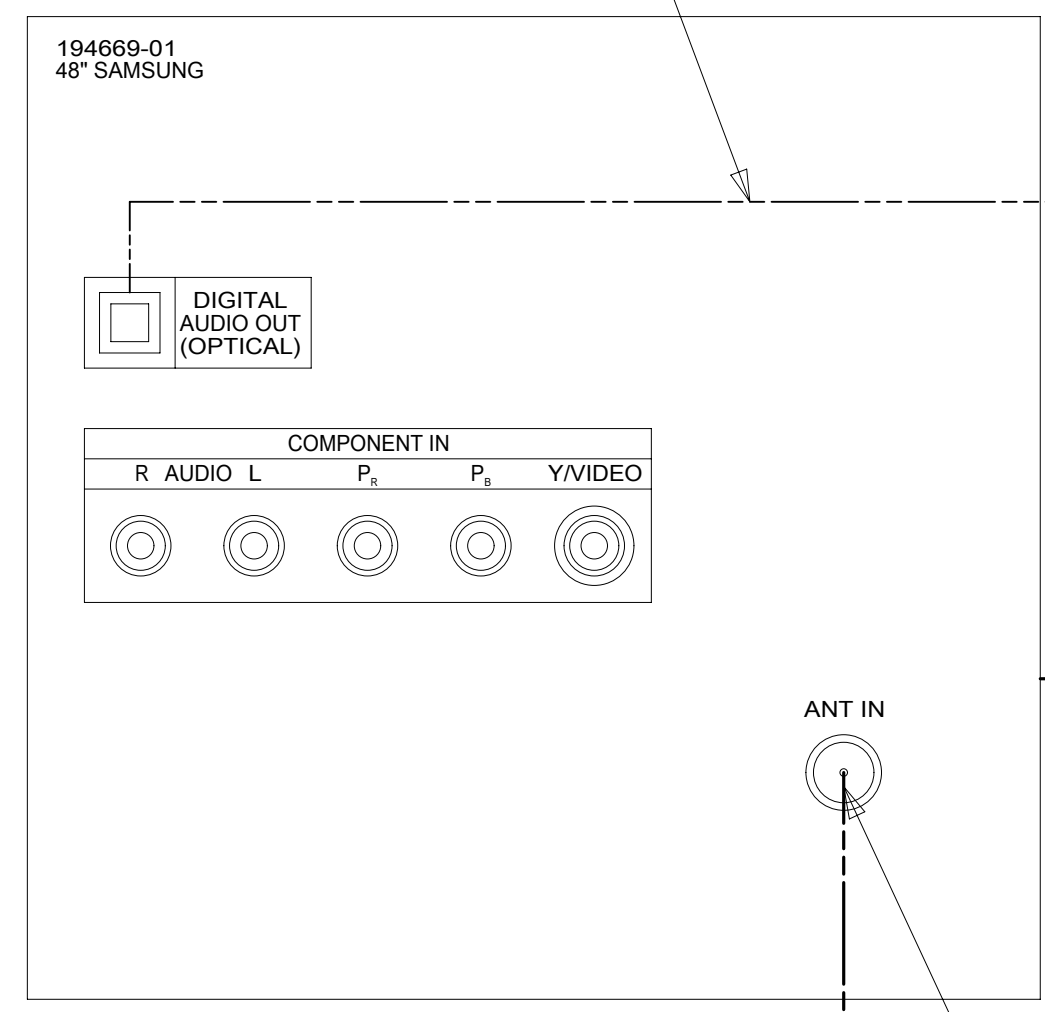
180504-02
HDMI 4X4

IR CABLE TO
RECEIVER

CABLE ASM-COAX
(BRN)
FROM WIRE ASM-A/V

TO SPLITTER
SEE SHEET 7

VIEW BB



CABLE-RCA,2-WAY
FROM WIRE ASM-A/V

TO DVD PLAYER
SEE SHEET 7

CONNECTOR-F,90°
176986-01-000

FOR ELECTRICAL
TORQUE
SPECIFICATIONS
SEE DWG NO.
128783-01-000

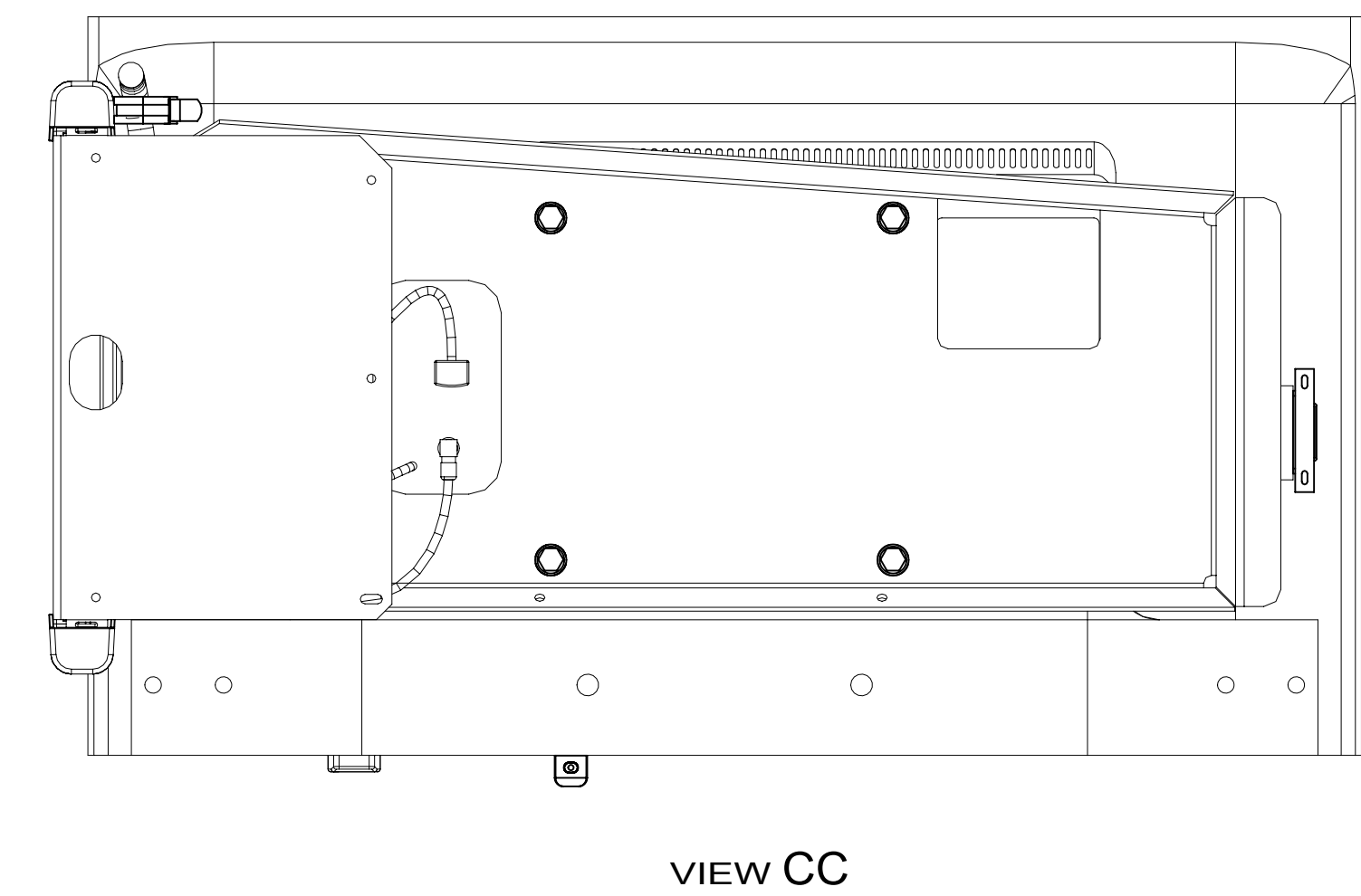
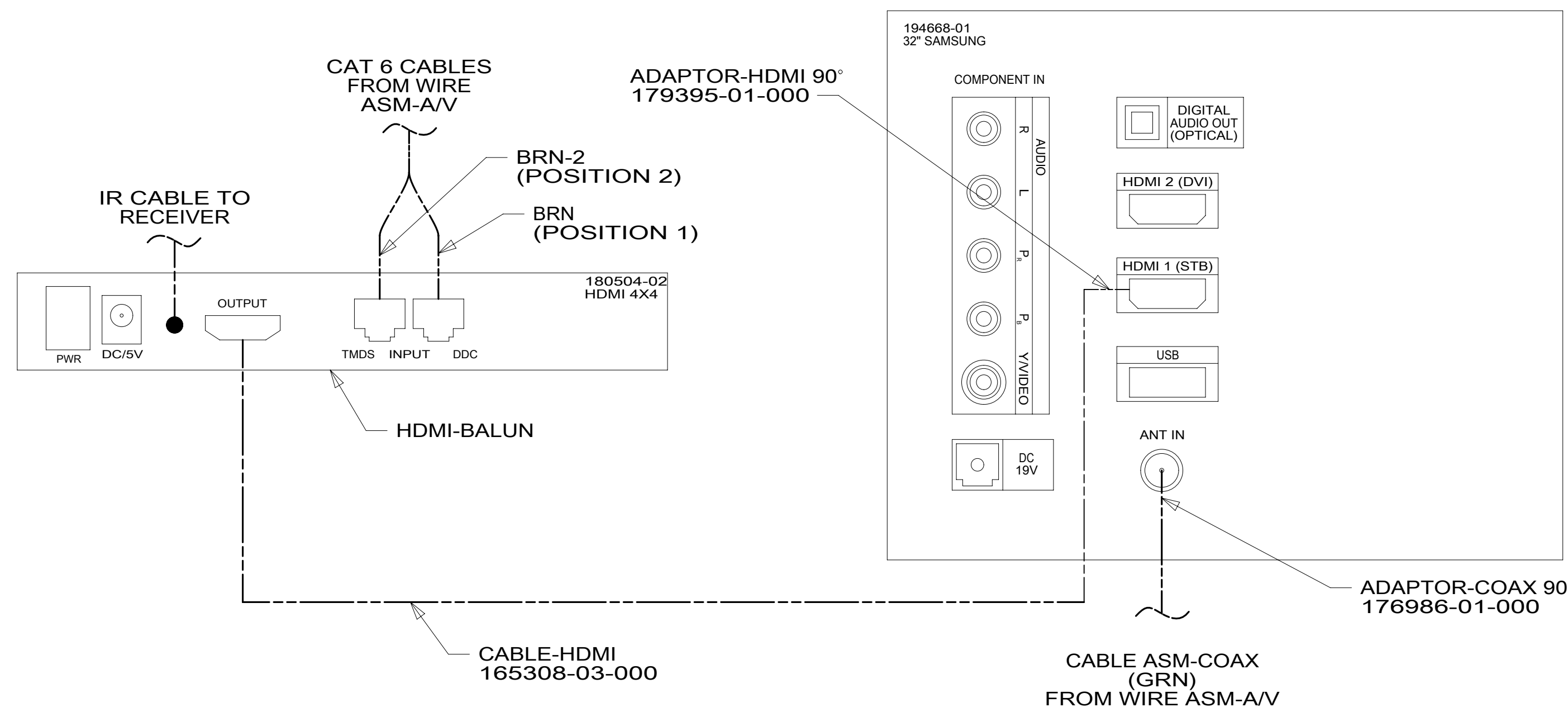
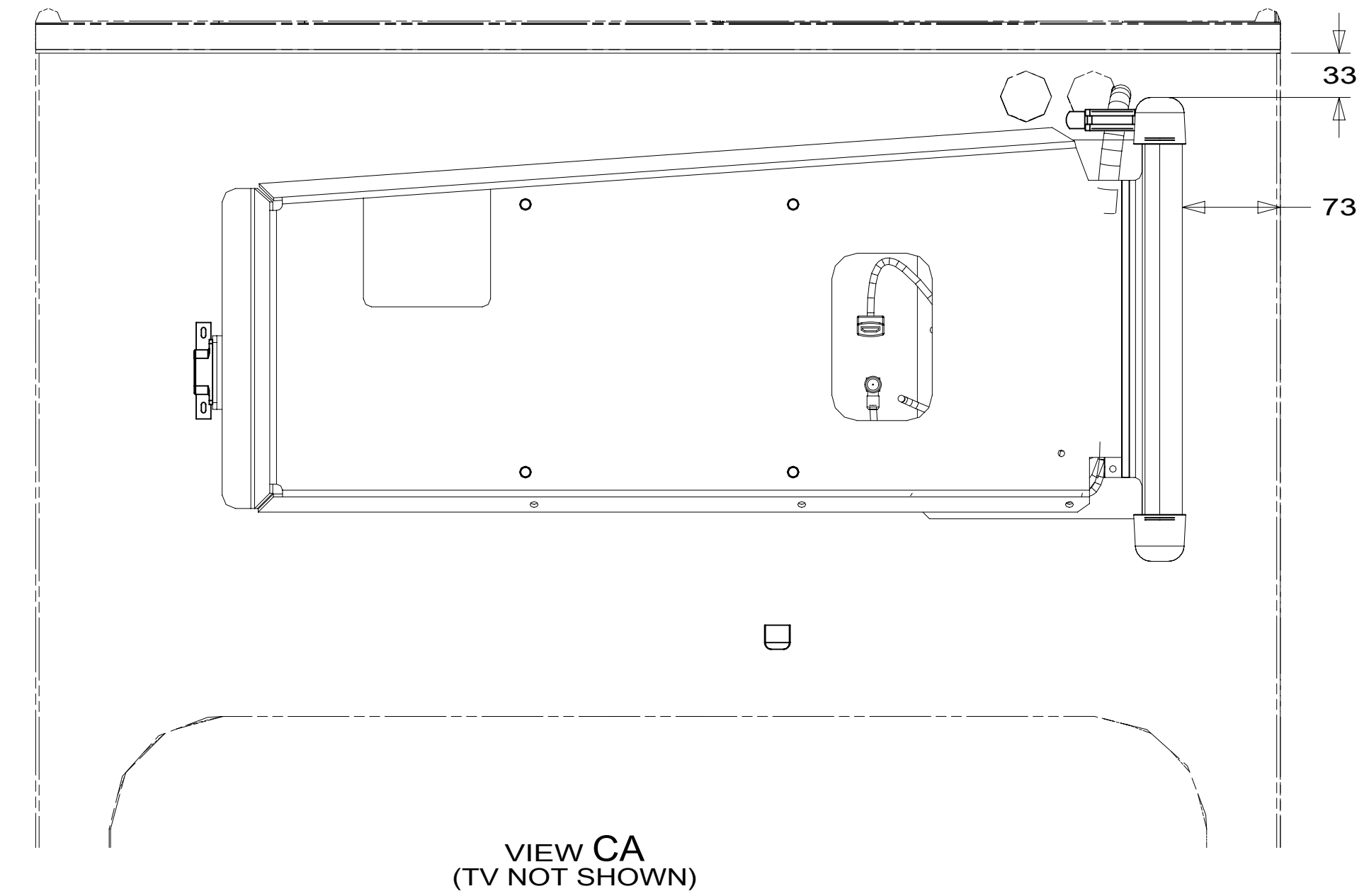
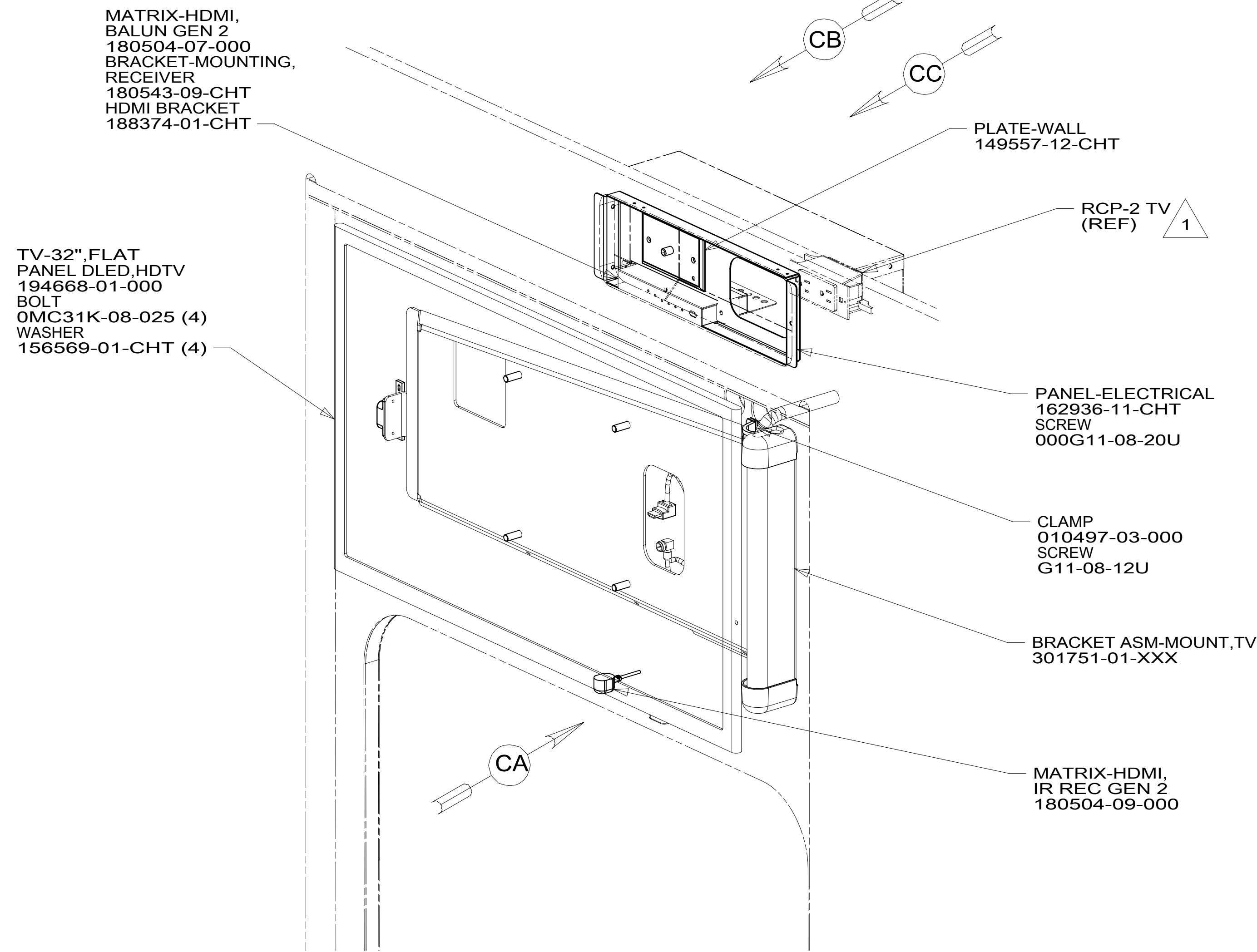
X-X

FOR ELECTRICAL
CALLOUTS
SEE DWG NO.
121339-01-000

- 265 CODES/STANDARDS-CSA/CMVSS
- 1B1 CODES/STANDARDS USA

1B1 265

DESCRIPTION: WIRING INSTL-TV/DVD		
SHEET: 2 OF 4	ITEM/PART NO: 000209701 / 30162401000	REV



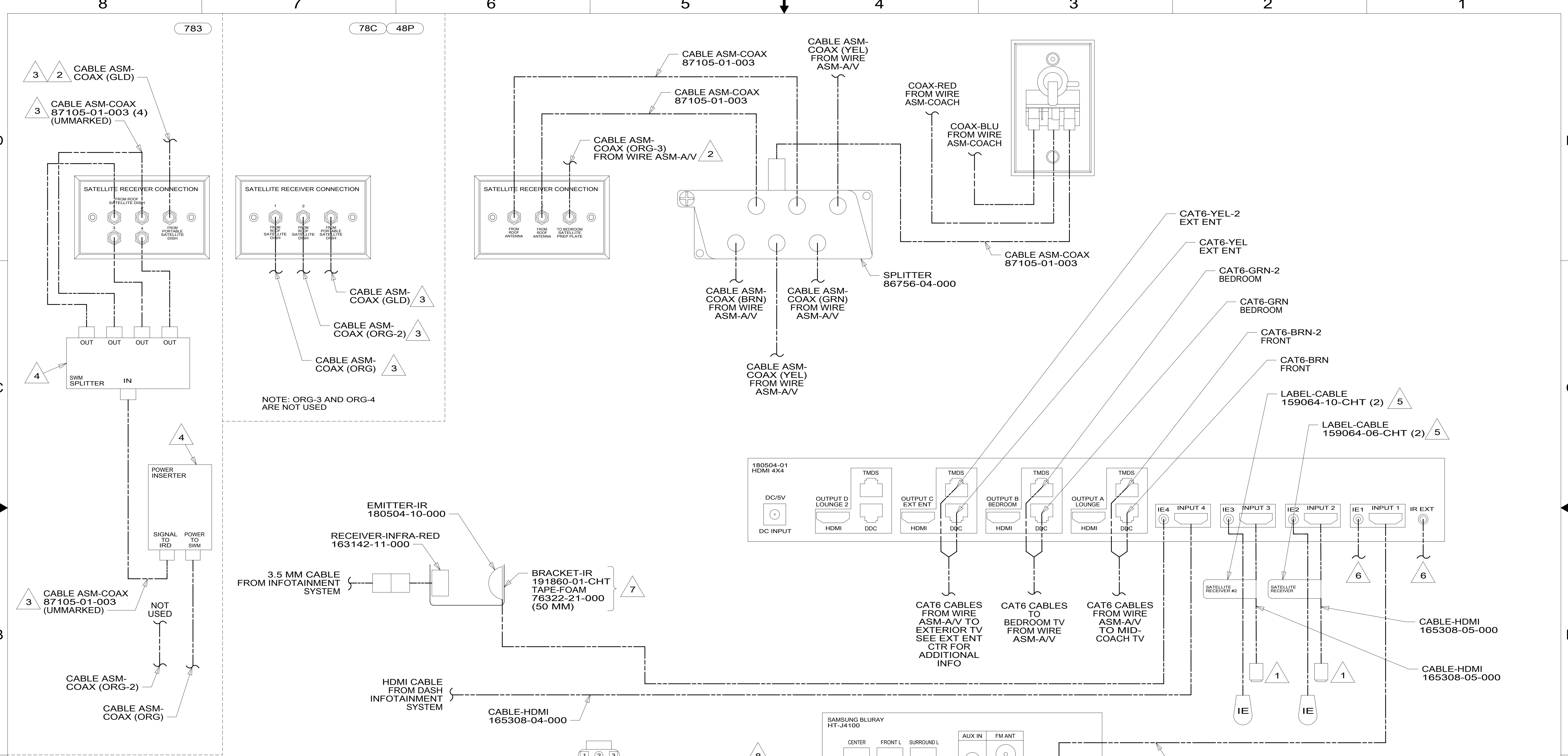
1 MOUNT RECEPTACLE TO BACK OF STEEL BOX.

FOR ELECTRICAL TORQUE SPECIFICATIONS SEE DWG NO. 128783-01-000

FOR ELECTRICAL CALLOUTS SEE DWG NO. 121339-01-000

265 CODES/STANDARDS-CSA/CMVSS
1B1 CODES/STANDARDS USA

DESCRIPTION:	1B1 265	
WIRING INSTL-TV/DVD		
SHEET:	ITEM/PART NO.:	REV
3 OF 4	000209701 / 30162401000	



- NOTES:**
- 8 CUT 150 MM CONNECTOR PIGTAIL FROM SPEAKERS (6 PLCS). SPLICE COLORED CONNECTOR PIGTAIL TO CORRESPONDING WIRE PAIR ON WIRE ASM-JUMPER. BLACK STRIPED WIRE ON CONNECTOR PIGTAIL IS NEG.
 - 7 PLACE ABOVE 4X4 MATRIX.
 - 6 SEE SHEET 1 FOR I.R. PLACEMENT.
 - 5 ATTACH LABEL 100 MM FROM END OF HDMI CABLE AND 400 MM FROM THE END OF THE IR EMITTER CABLE.
 - 4 PARTS ARE SUPPLIED WITH INTERIOR CONTROL 183415-05-000.
 - 3 CABLE CONNECTS TO REAR SIDE OF PLATE.
 - 2 CABLE ROUTED IN ROOF.
 - 1 COIL CABLE IN SATELLITE PREP AREA FOR FUTURE USE.

VIEW DA

FOR ELECTRICAL TORQUE SPECIFICATIONS SEE DWG NO. 128783-01-000

FOR ELECTRICAL CALLOUTS SEE DWG NO. 121339-01-000

- 783 SATELLITE HD TV SYSTEM AUTOC
- 78C SATELLITE SYSTEM READY
- 48P SAT TV SYSTEM IN-MOTION
- 1H5 TV, FRONT-WITHOUT
- 265 CODES/STANDARDS-CSA/CMVSS
- 1B1 CODES/STANDARDS USA

DESCRIPTION: WIRING INSTL-TV/DVD		
SHEET: 4 OF 4	ITEM/PART NO: 000209701 / 30162401000	REV: