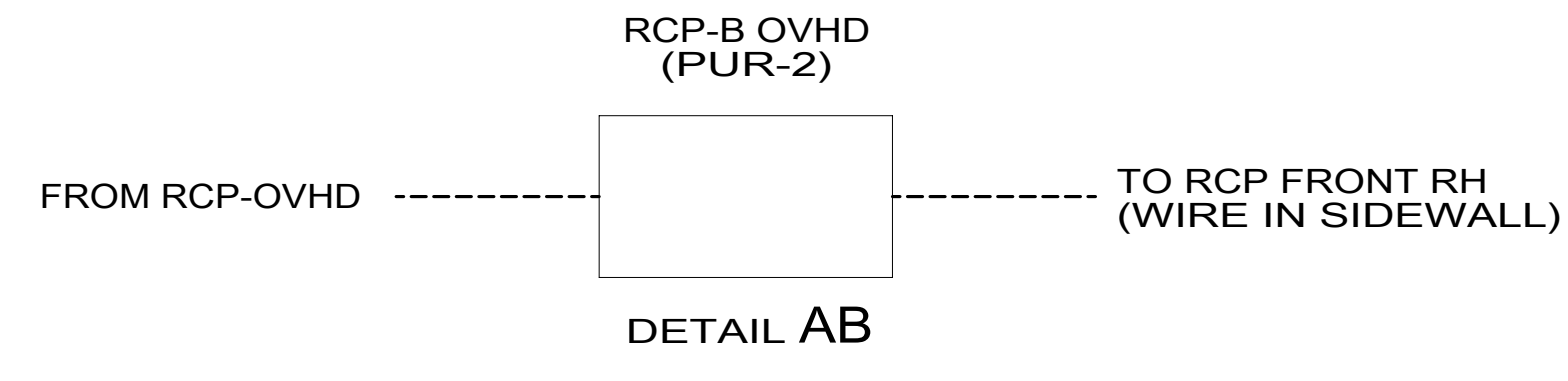


- 783 SATellite HD TV SYSTEM AUTOC
- 25M HOME THEATER SYSTEM, BLU-RAY
- 48P SAT TV SYSTEM IN-MOTION
- 78C SATellite SYSTEM READY
- 265 CODES/STANDARDS-CSA/CMVSS
- 1B1 CODES/STANDARDS USA

- 6 SET DVD PLAYER FOR AUDIO ON HDMI AND MAX VIDEO OUTPUT TO 1080i.
- 5 PLACE I.R.E. IN FRONT OF THE BLU-RAY PLAYER AS SHOWN. (150 MM FROM RIGHT SIDE)
- 4 SEE ROOF ASM FOR ADDITIONAL INFORMATION.
- 3. WHERE WIRES PASS THROUGH HOLES IN STEEL AND NOT OTHERWISE PROTECTED, USE GROMMET 92908-02-000.
- 2. ALL WIRES TO BE SECURED WITH CLAMP 10495-01-000 OR CLIP 80734-01-000 EVERY 600MM. USE SCREW G67-10-12U UNLESS OTHERWISE SPECIFIED.
- 1. 110V WIRE TO BE CLAMPED WITH CLAMP 10497-05-000 WITHIN 200MM OF OUTLET BOXES, USE SCREW G67-10-12U.

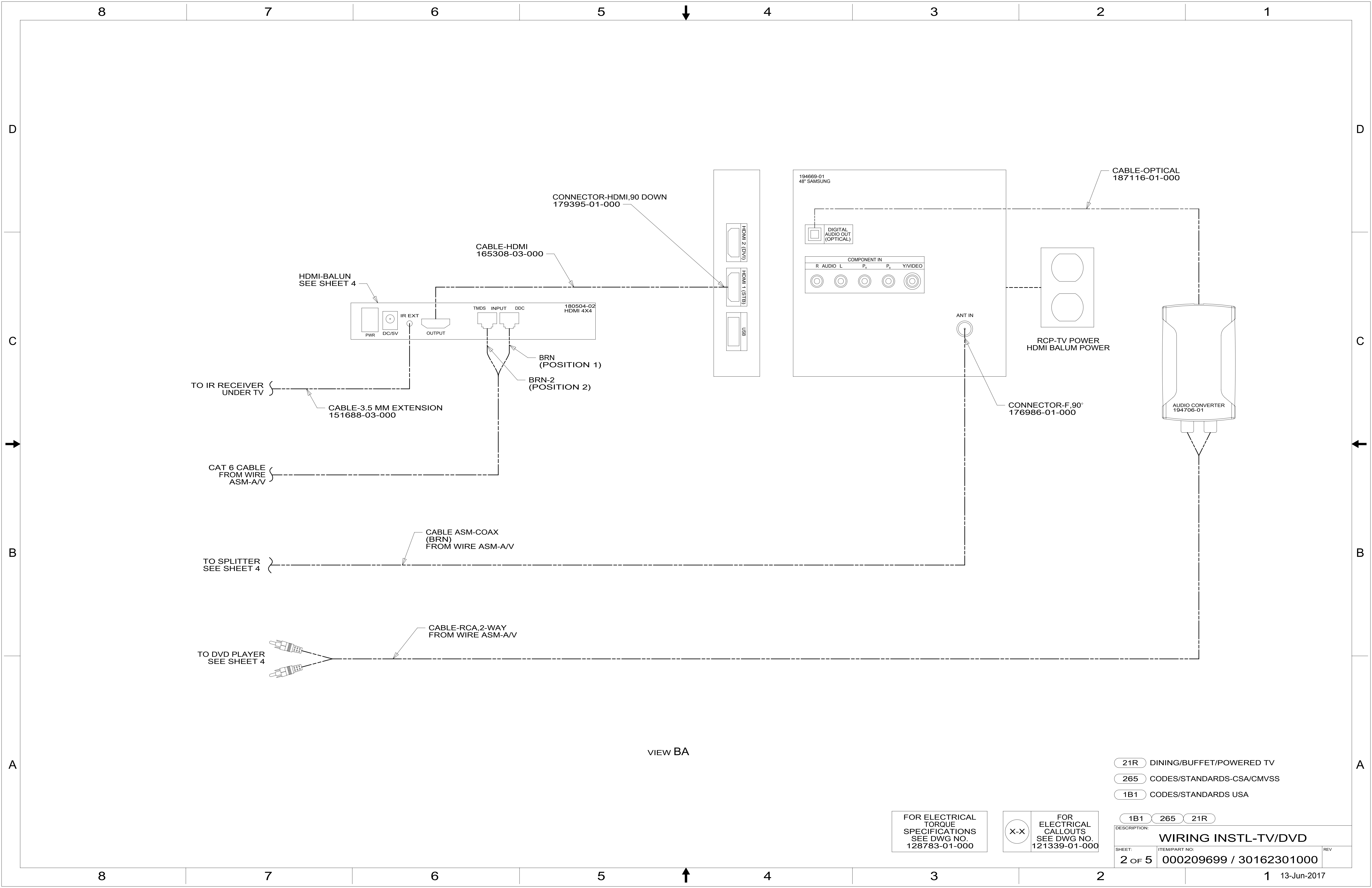


FOR ELECTRICAL TORQUE SPECIFICATIONS SEE DWG NO. 128783-01-000

FOR ELECTRICAL CALLOUTS SEE DWG NO. 121339-01-000

**WINNEBAGO**  
COPYRIGHT 2016 WINNEBAGO INDUSTRIES, INC.

DSNR:	ALL DIMENSIONS ARE IN MILLIMETERS	
DFFR:		
UNSPECIFIED TOLERANCES:	MATERIAL:	
WHOLE DIM (X) : 3		
ONE-PLACE (X.X) : 1.5		
TWO-PLACE (X.XX) : 0.50		
ANGLE : 1°		
REFER TO ES0018 FOR FASTENER TIGHTENING GUIDELINES	WEIGHT: (LBS)	FIRST USED: 16 J37F
DESCRIPTION: <b>WIRING INSTL-TV/DVD</b>		
SHEET: 1 OF 5	ITEM/PART NO: 000209699 / 30162301000	REV:
REF: 1		13-Jun-2017



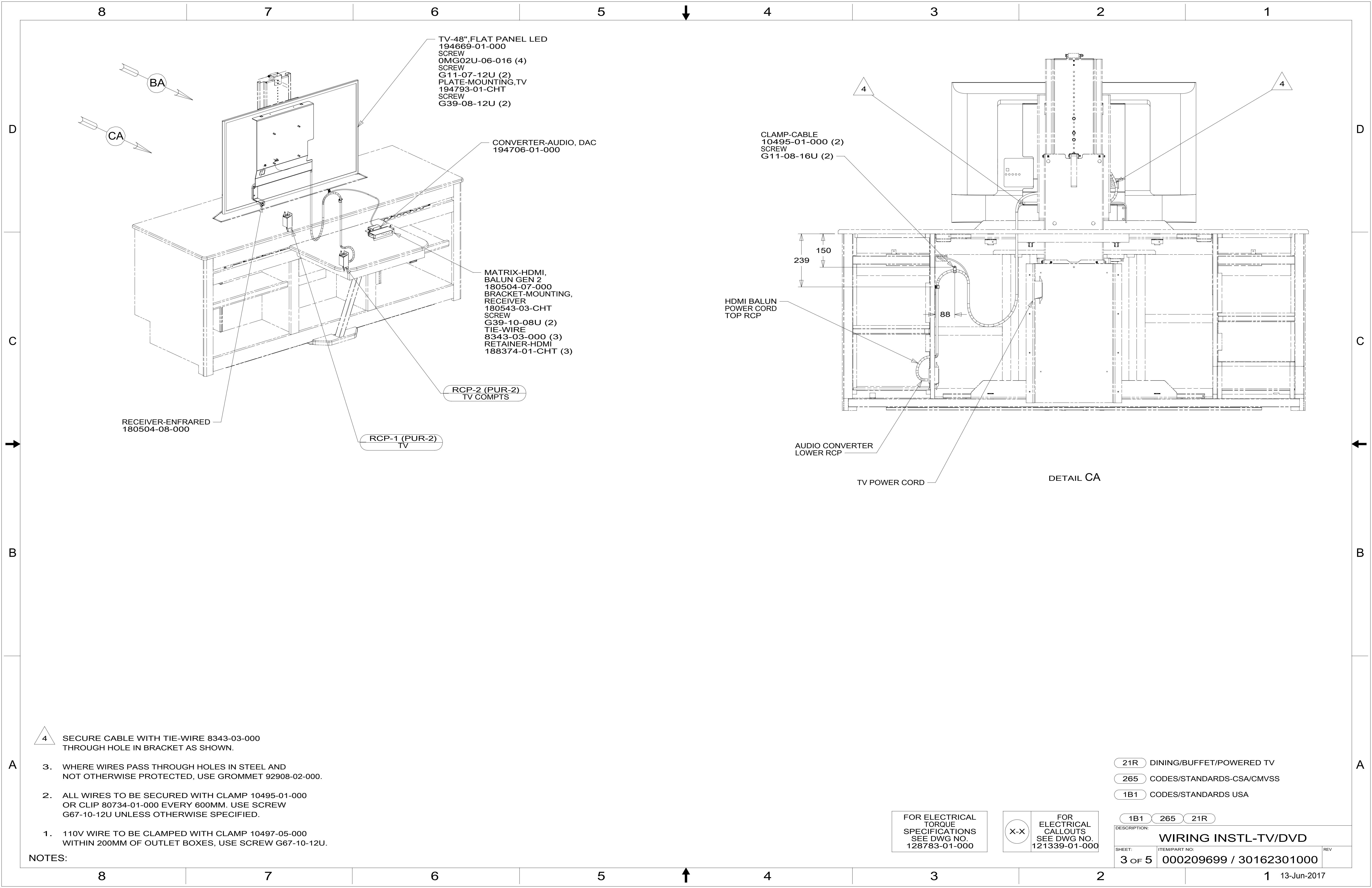
VIEW BA

FOR ELECTRICAL TORQUE SPECIFICATIONS SEE DWG NO. 128783-01-000

FOR ELECTRICAL CALLOUTS SEE DWG NO. 121339-01-000

- 21R DINING/BUFFET/POWERED TV
- 265 CODES/STANDARDS-CSA/CMVSS
- 1B1 CODES/STANDARDS USA

DESCRIPTION:		
<b>WIRING INSTL-TV/DVD</b>		
SHEET:	ITEM/PART NO.:	REV:
2 OF 5	000209699 / 30162301000	



TV-48",FLAT PANEL LED  
 194669-01-000  
 SCREW  
 OMG02U-06-016 (4)  
 SCREW  
 G11-07-12U (2)  
 PLATE-MOUNTING,TV  
 194793-01-CHT  
 SCREW  
 G39-08-12U (2)

CONVERTER-AUDIO, DAC  
 194706-01-000

MATRIX-HDMI,  
 BALUN GEN 2  
 180504-07-000  
 BRACKET-MOUNTING,  
 RECEIVER  
 180543-03-CHT  
 SCREW  
 G39-10-08U (2)  
 TIE-WIRE  
 8343-03-000 (3)  
 RETAINER-HDMI  
 188374-01-CHT (3)

RCP-2 (PUR-2)  
 TV COMPTS

RCP-1 (PUR-2)  
 TV

RECEIVER-ENFRARED  
 180504-08-000

CLAMP-CABLE  
 10495-01-000 (2)  
 SCREW  
 G11-08-16U (2)

HDMI BALUN  
 POWER CORD  
 TOP RCP

AUDIO CONVERTER  
 LOWER RCP

TV POWER CORD

DETAIL CA

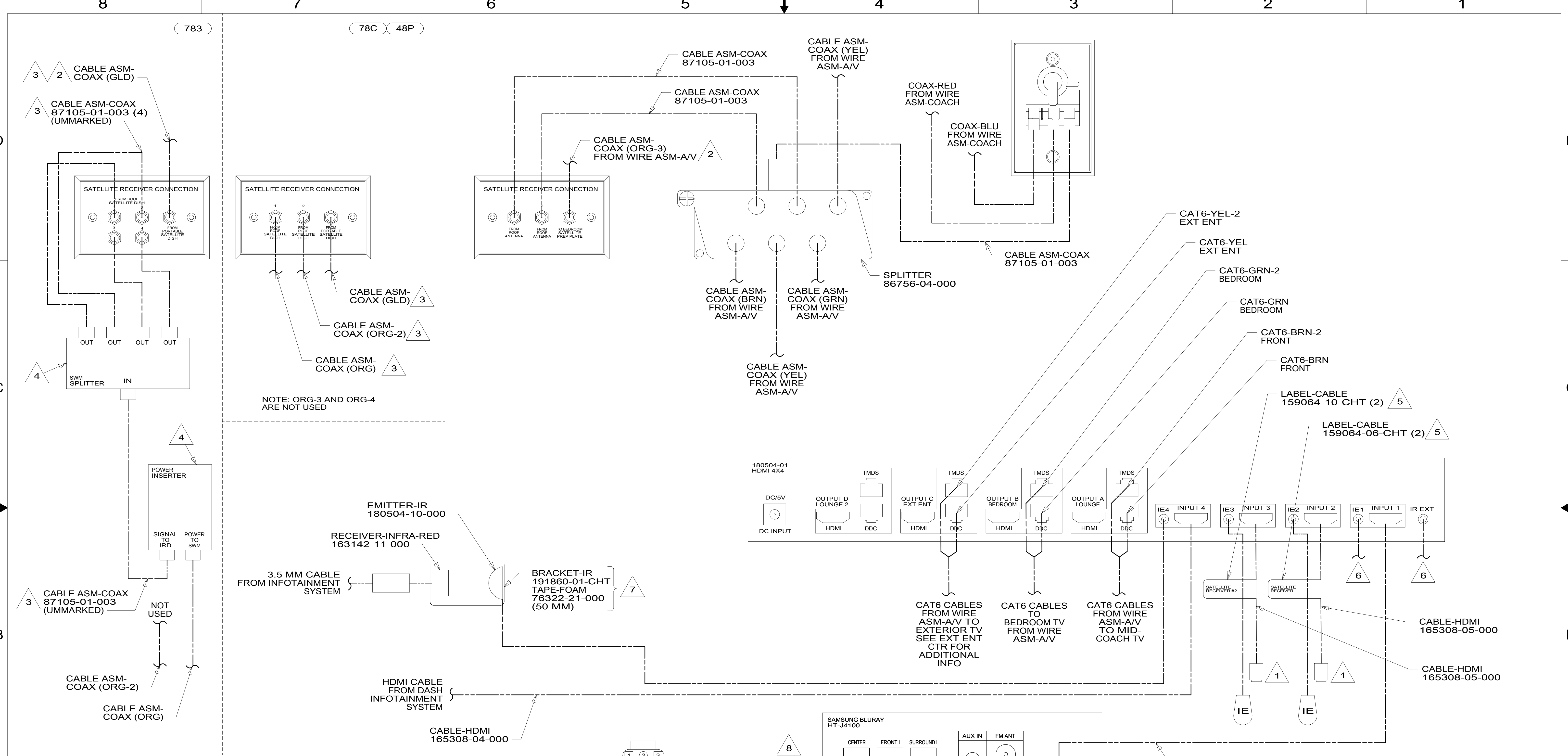
- NOTES:
- 4 SECURE CABLE WITH TIE-WIRE 8343-03-000 THROUGH HOLE IN BRACKET AS SHOWN.
  - 3. WHERE WIRES PASS THROUGH HOLES IN STEEL AND NOT OTHERWISE PROTECTED, USE GROMMET 92908-02-000.
  - 2. ALL WIRES TO BE SECURED WITH CLAMP 10495-01-000 OR CLIP 80734-01-000 EVERY 600MM. USE SCREW G67-10-12U UNLESS OTHERWISE SPECIFIED.
  - 1. 110V WIRE TO BE CLAMPED WITH CLAMP 10497-05-000 WITHIN 200MM OF OUTLET BOXES, USE SCREW G67-10-12U.

- 21R DINING/BUFFET/POWERED TV
- 265 CODES/STANDARDS-CSA/CMVSS
- 1B1 CODES/STANDARDS USA

FOR ELECTRICAL  
 TORQUE  
 SPECIFICATIONS  
 SEE DWG NO.  
 128783-01-000

FOR  
 ELECTRICAL  
 CALLOUTS  
 SEE DWG NO.  
 121339-01-000

DESCRIPTION:	1B1 265 21R	
<b>WIRING INSTL-TV/DVD</b>		
SHEET:	ITEM/PART NO:	REV
3 OF 5	000209699 / 30162301000	



- NOTES:**
- 8 CUT 150MM CONNECTOR PIGTAIL FROM SPEAKERS (6 PLCS). SPLICE COLORED CONNECTOR PIGTAIL TO CORRESPONDING WIRE PAIR ON WIRE ASM-JUMPER. BLACK STRIPED WIRE ON CONNECTOR PIGTAIL IS NEG.
  - 7 PLACE ABOVE 4X4 MATRIX.
  - 6 SEE SHEET 1 FOR I.R. PLACEMENT.
  - 5 ATTACH LABEL 100 MM FROM END OF HDMI CABLE AND 400 MM FROM THE END OF THE IR EMITTER CABLE.
  - 4 PARTS ARE SUPPLIED WITH INTERIOR CONTROL 183415-05-000.
  - 3 CABLE CONNECTS TO REAR SIDE OF PLATE.
  - 2 CABLE ROUTED IN ROOF.
  - 1 COIL CABLE IN SATELLITE PREP AREA FOR FUTURE USE.

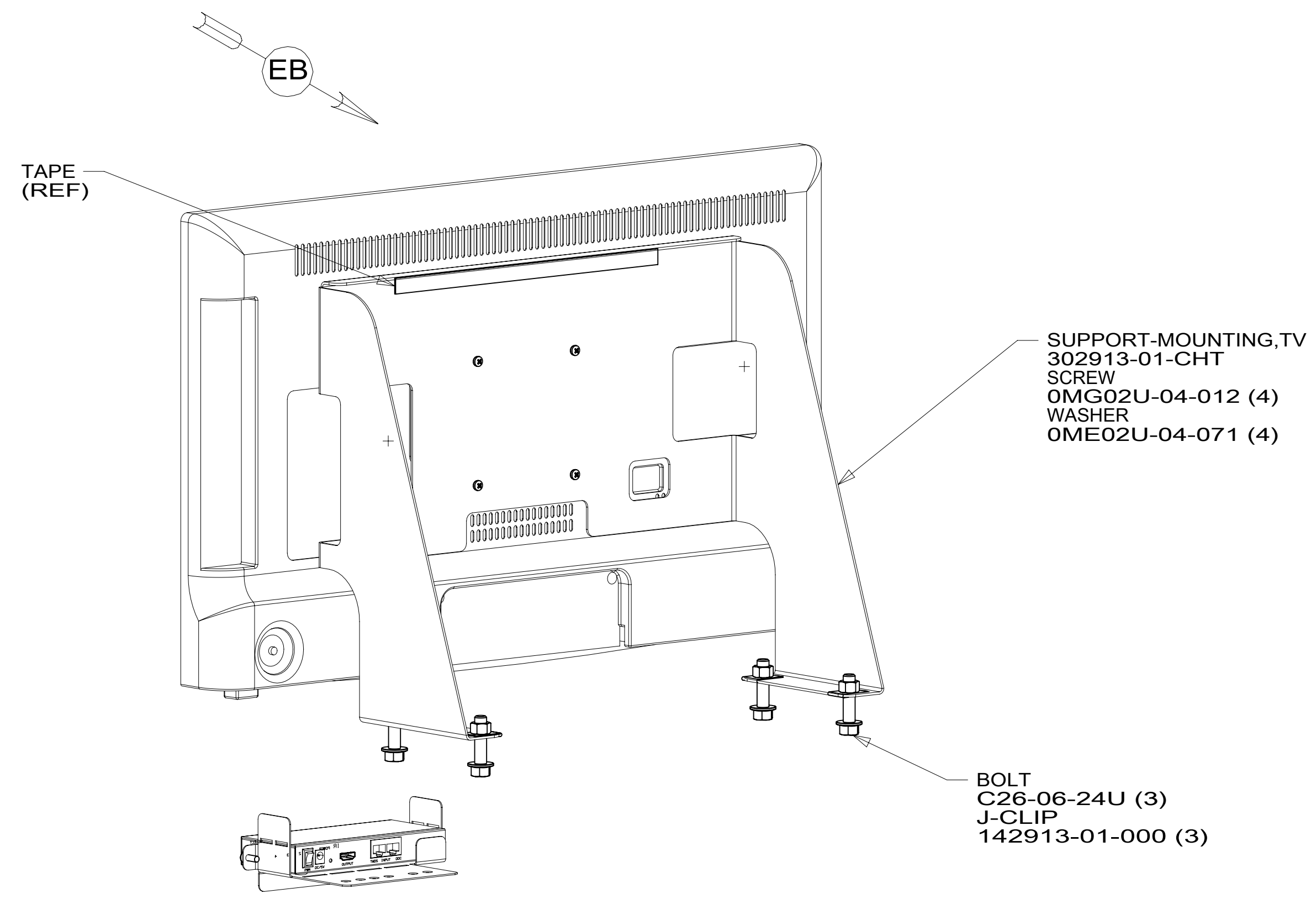
- 783 SATELLITE HD TV SYSTEM AUTOC
- 78C SATELLITE SYSTEM READY
- 48P SAT TV SYSTEM IN-MOTION
- 1H5 TV, FRONT-WITHOUT
- 265 CODES/STANDARDS-CSA/CMVSS
- 1B1 CODES/STANDARDS USA

FOR ELECTRICAL TORQUE SPECIFICATIONS SEE DWG NO. 128783-01-000

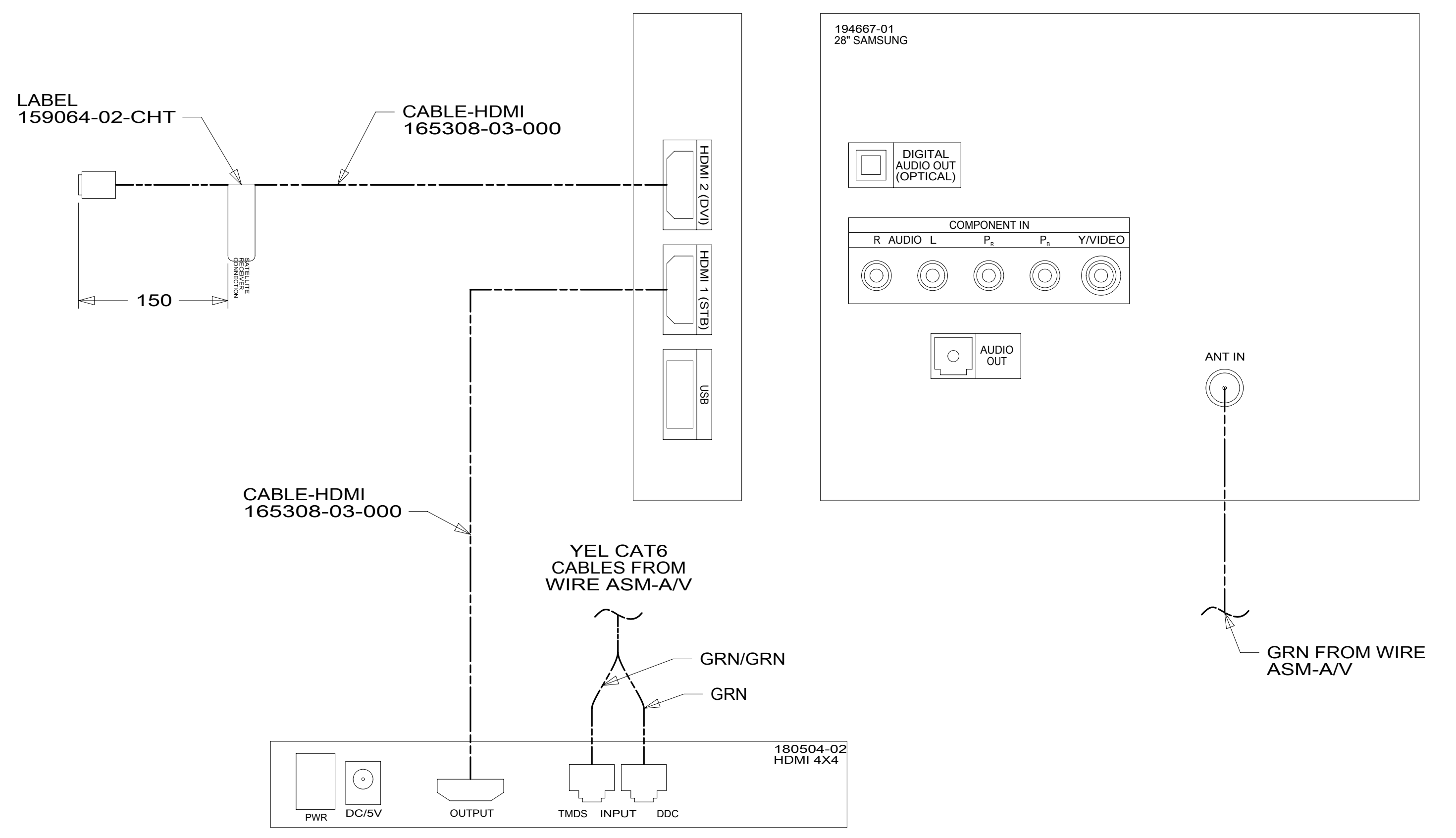
FOR ELECTRICAL CALLOUTS SEE DWG NO. 121339-01-000

DESCRIPTION: <b>WIRING INSTL-TV/DVD</b>		
SHEET: 4 OF 5	ITEM/PART NO: 000209699 / 30162301000	REV:

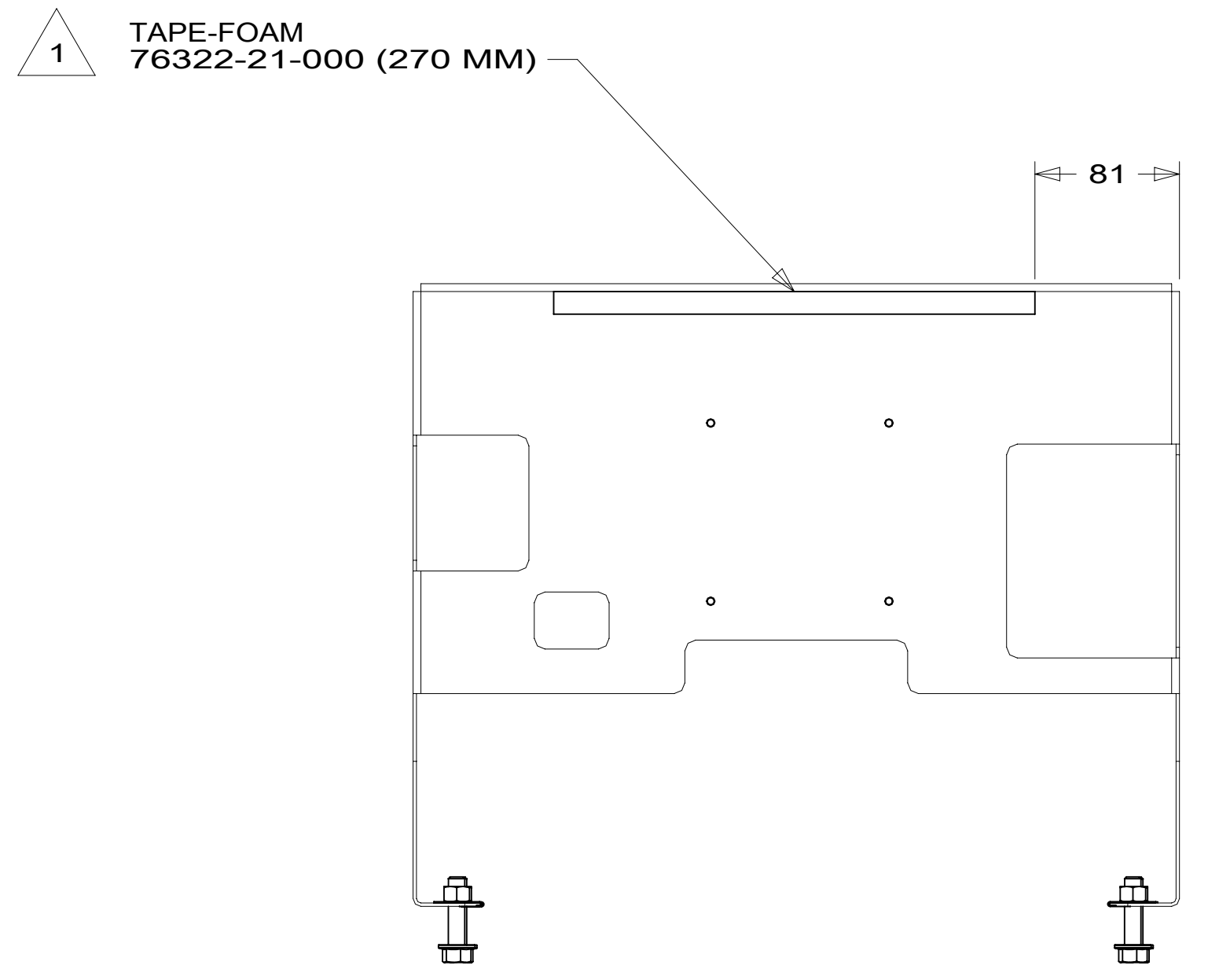
VIEW DA



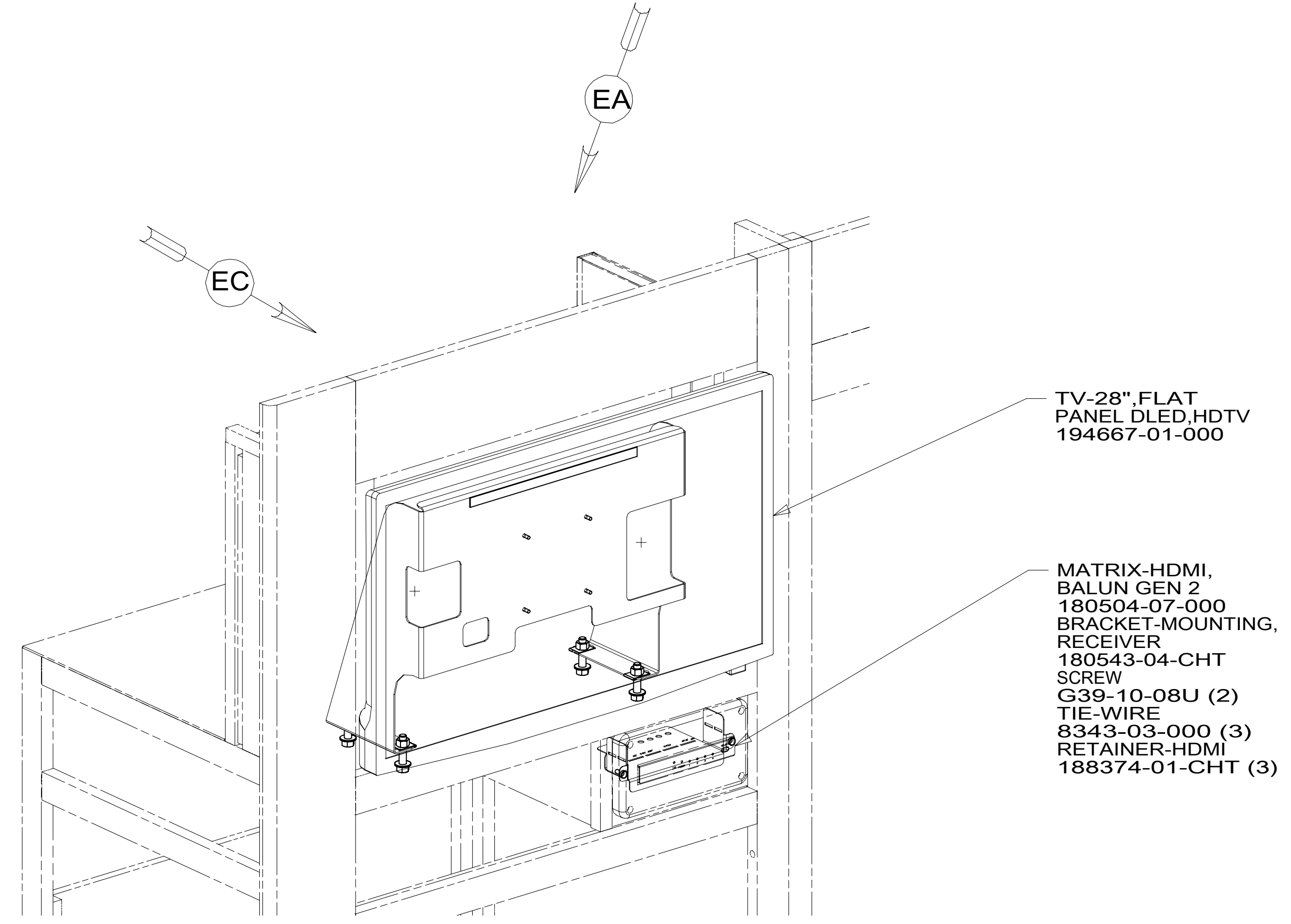
VIEW EA



VIEW EC



VIEW EB  
(SHOWN WITHOUT TV)



1 CLEAN AND APPLY ADHESIVE PROMOTER 87211-01-000 TO BOTH SURFACES AND BOND WHERE BRACKET CONTACTS TV.

NOTES:

FOR ELECTRICAL TORQUE SPECIFICATIONS SEE DWG NO. 128783-01-000

FOR ELECTRICAL CALLOUTS SEE DWG NO. 121339-01-000

- 61M TV(REAR)-28" COLOR STEREO
- 265 CODES/STANDARDS-CSA/CMVSS
- 1B1 CODES/STANDARDS USA

DESCRIPTION:		
<b>WIRING INSTL-TV/DVD</b>		
SHEET:	ITEM/PART NO.:	REV:
5 OF 5	000209699 / 30162301000	