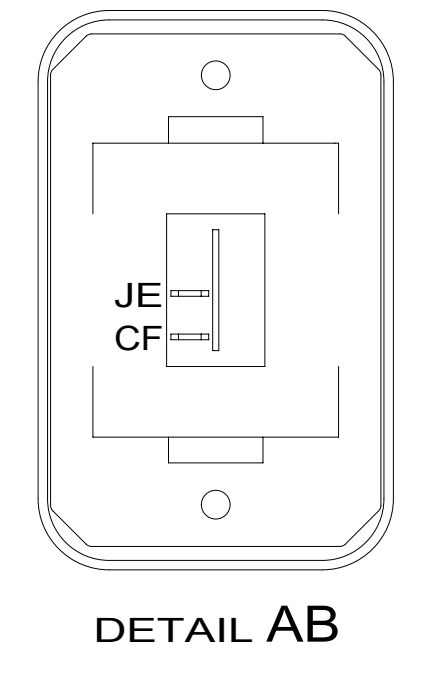
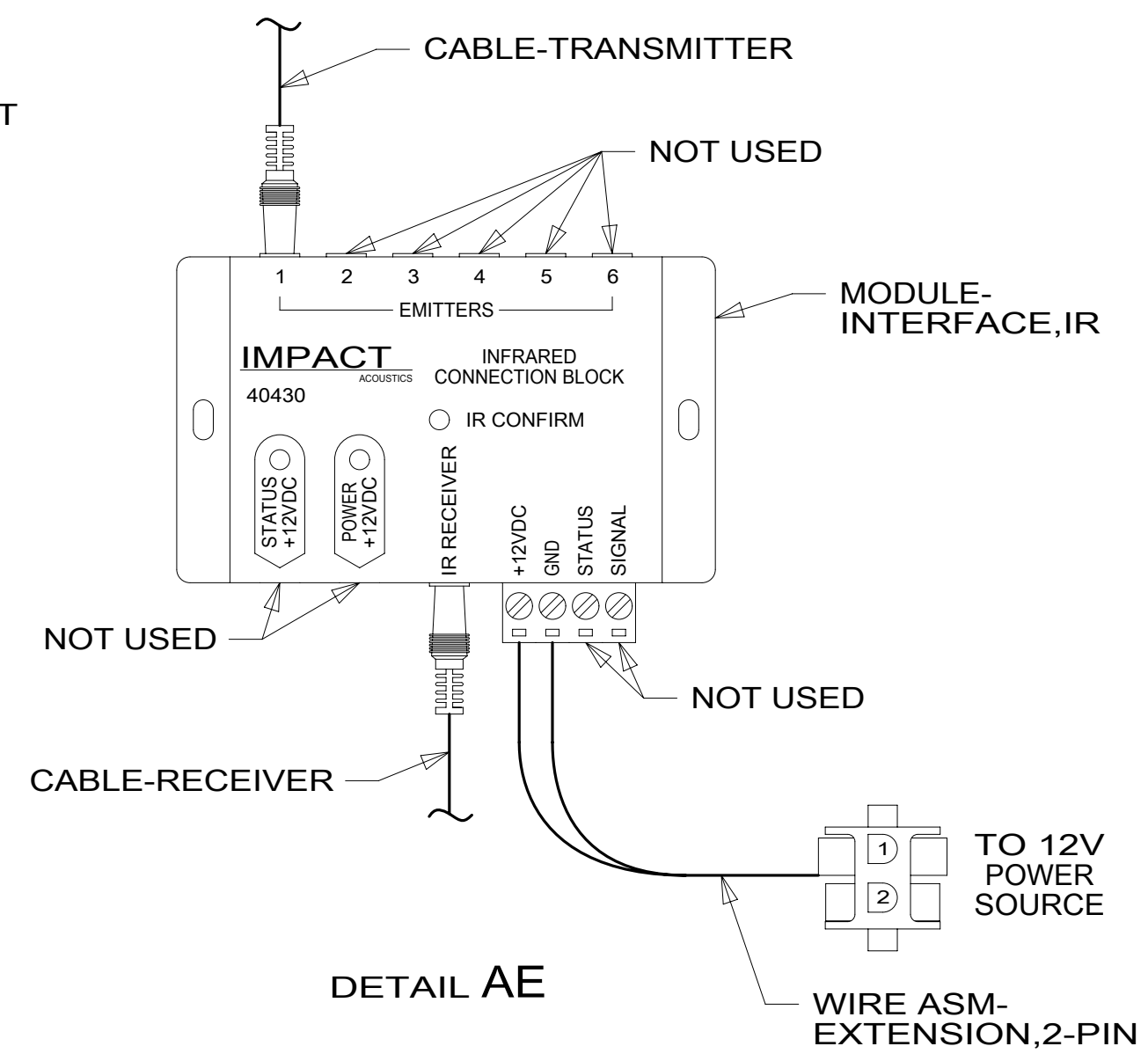
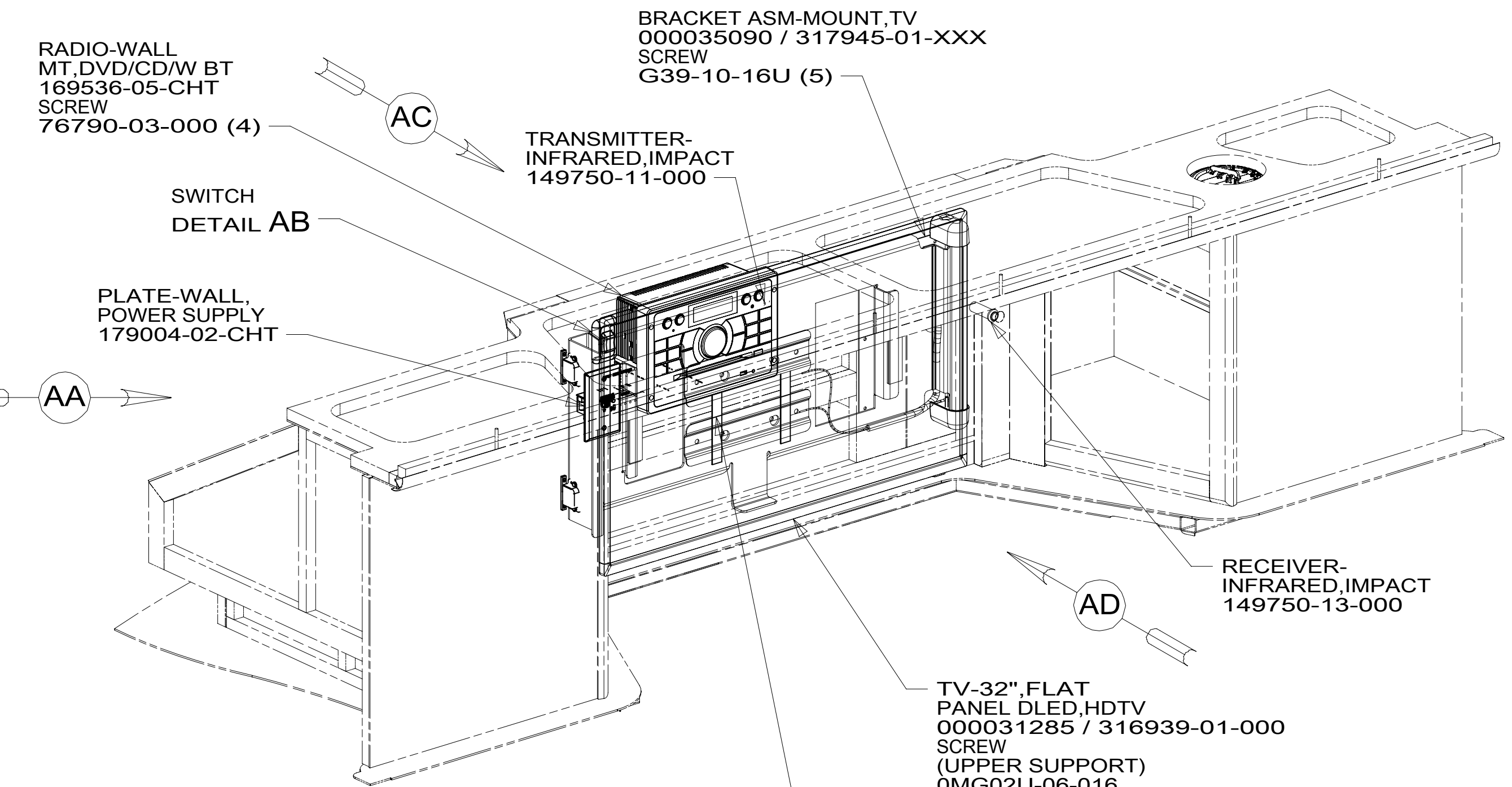
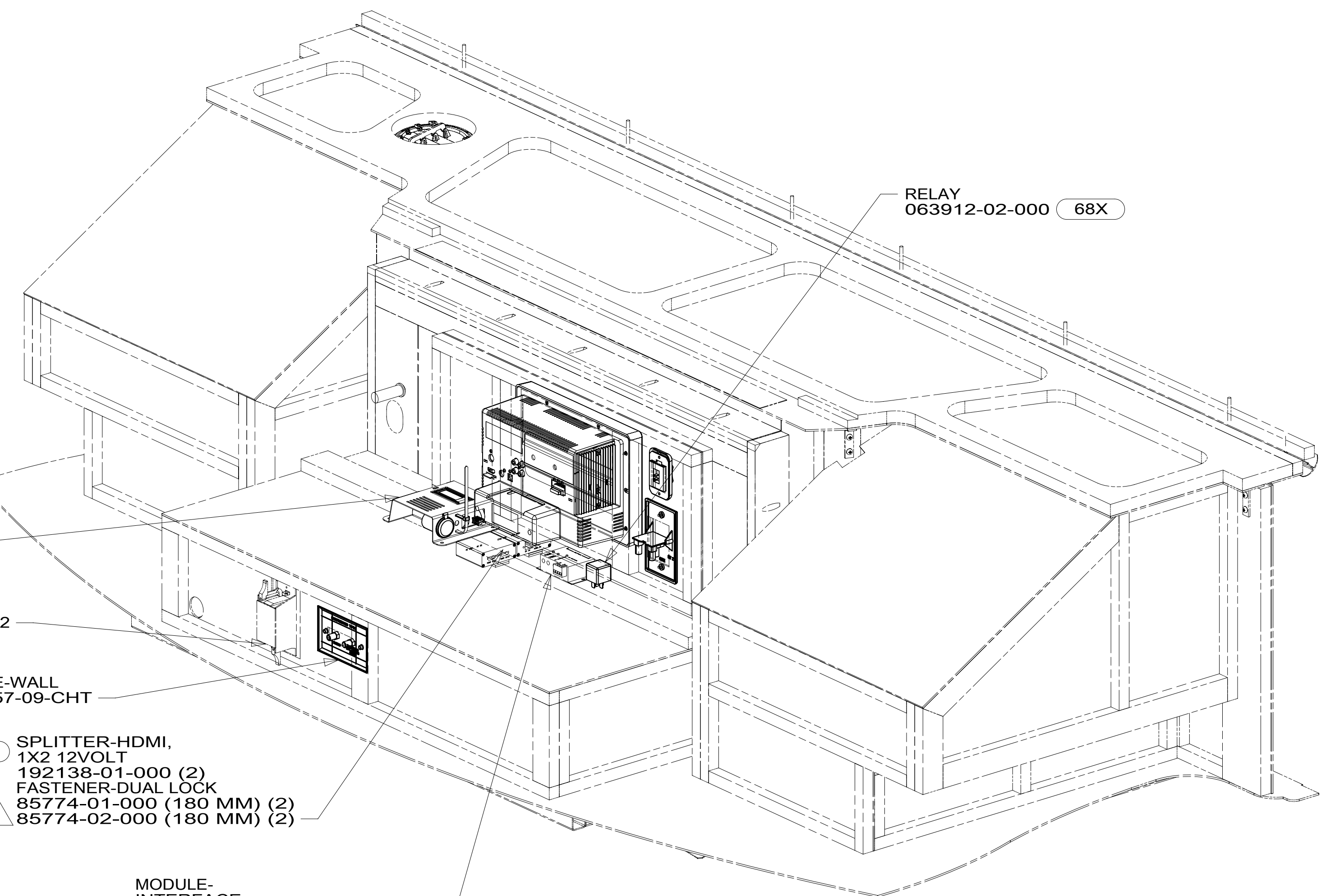
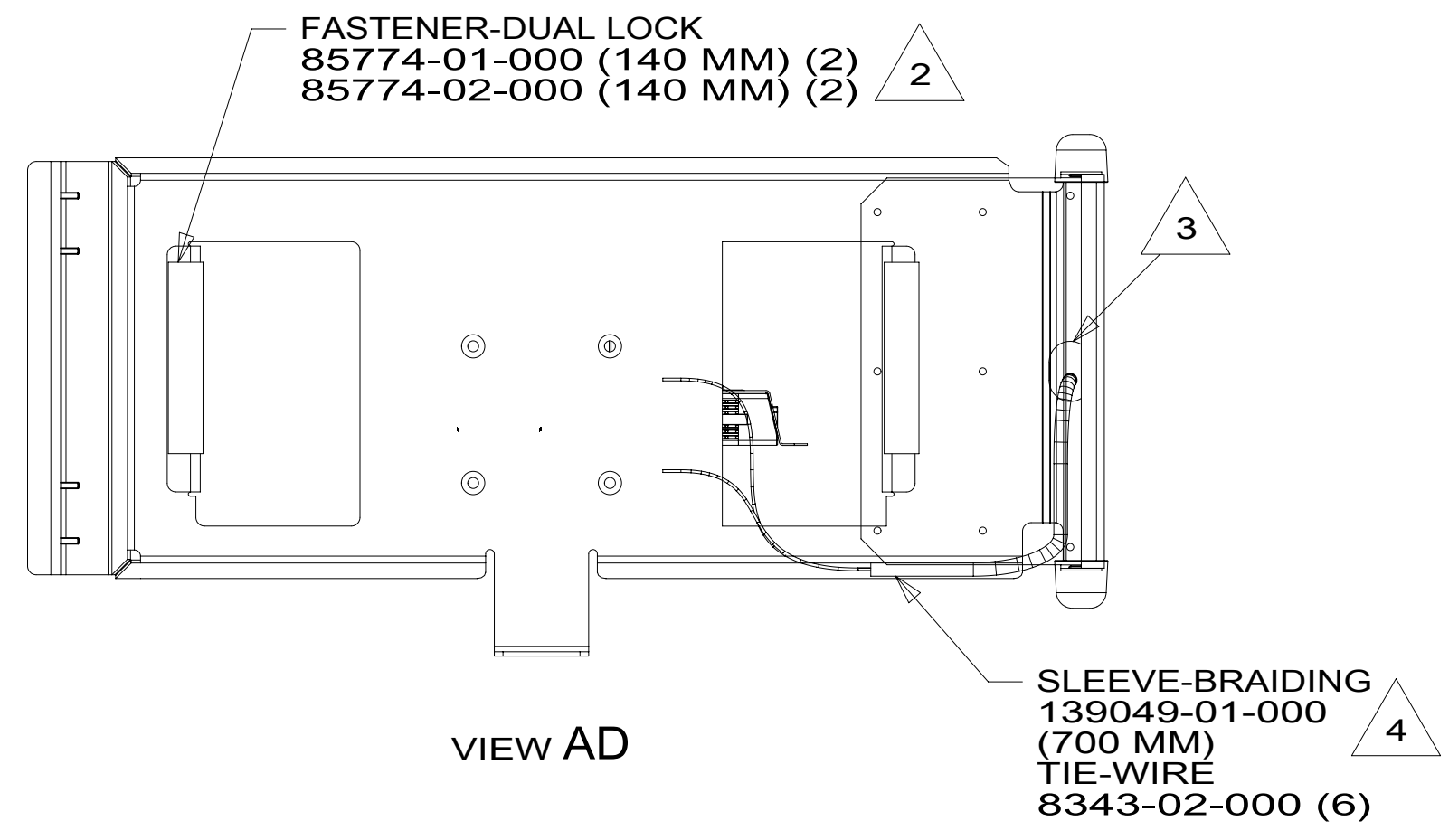
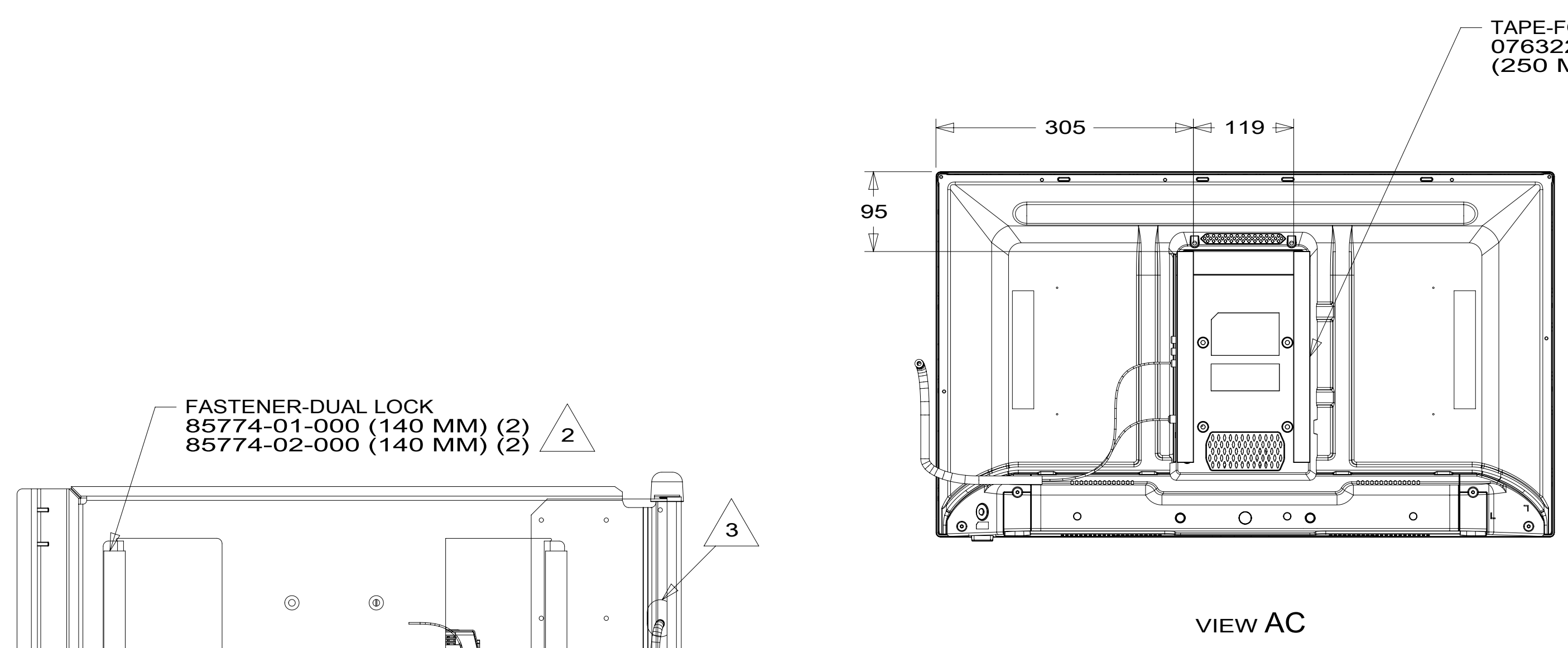


8 7 6 5 4 3 2 1



- NOTES:
- 5 ATTACH DUAL LOCK TO UNDERSIDE OF SPLITTER AND ATTACH TO WOODEN SUPPORT.
 - 4 COVER WIRES, COAX, RCA, & HDMI CABLES WITH BRAIDED SLEEVING AND SECURE TO TV BRACKET WITH TIE-WIRE.
 - 3 HOLE IN BRACKET TO ALIGN WITH HOLE IN CABINET.
 - 2 CLEAN AND APPLY ADHESIVE PROMOTER 87211-01-000 TO BOTH SURFACES.
 - 1 SEE WIRING INSTL-BODY, 110V FOR ADDITIONAL INFORMATION.

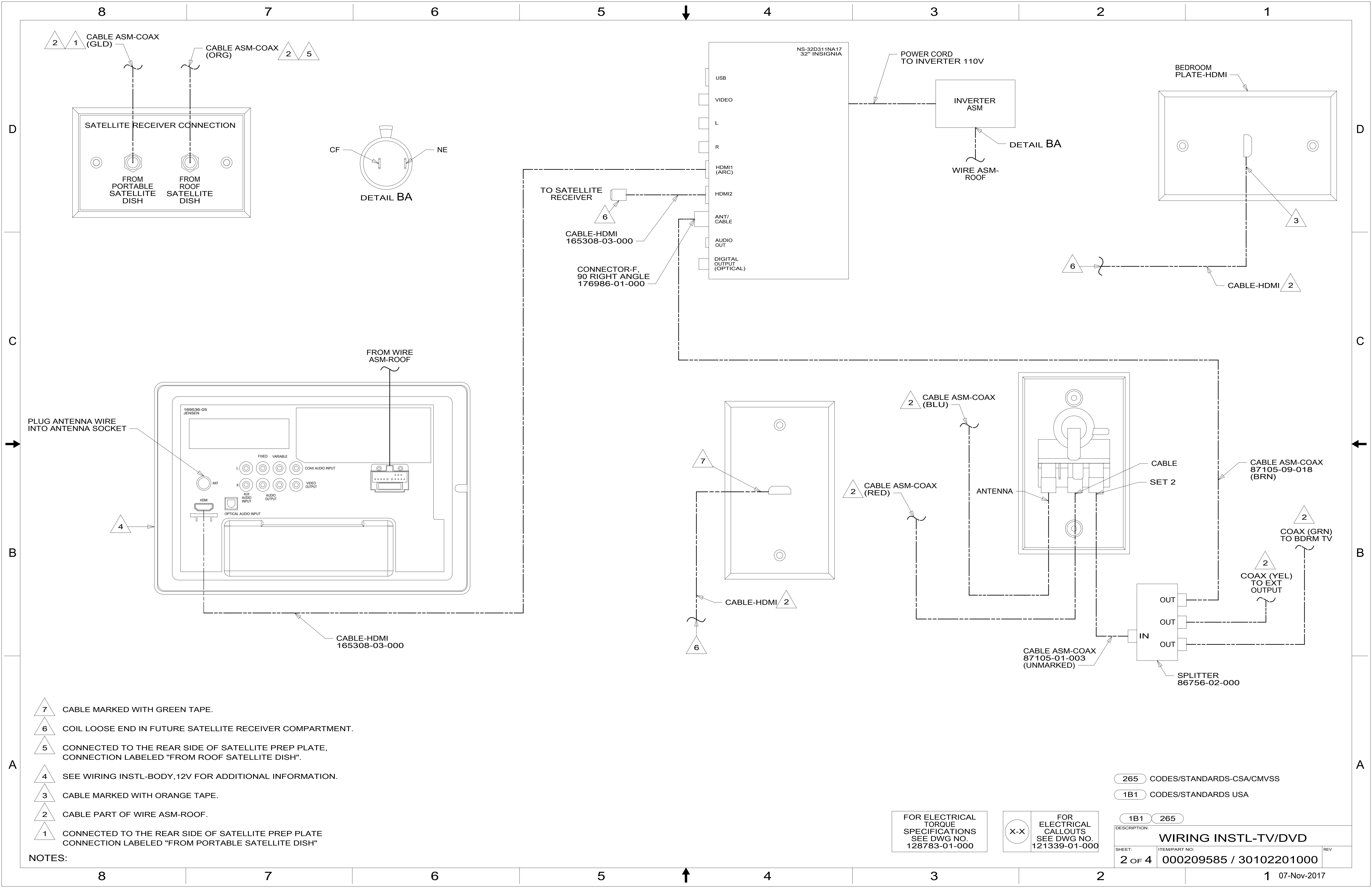
- 68X TV - BEDROOM
- 265 CODES/STANDARDS-CSA/CMVSS
- 1B1 CODES/STANDARDS USA

WINNEBAGO		COPYRIGHT 2016 WINNEBAGO INDUSTRIES, INC.	
DSNR:	ALL DIMENSIONS ARE IN MILLIMETERS		
DFFR:			
UNSPECIFIED TOLERANCES:	MATERIAL:		
WHOLE DIM (X) :	3		
ONE-PLACE (X.X) :	1.5		
TWO-PLACE (X.XX) :	0.50		
ANGLE :	1°		
REFER TO ES0018 FOR FASTENER TIGHTENING GUIDELINES	WEIGHT: (LBS)	FIRST USED:	
		16 423A	
DESCRIPTION: WIRING INSTL-TV/DVD			
SHEET:	ITEM/PART NO:	REV:	
1 OF 4	000209585 / 30102201000		
REF:		1 07-Nov-2017	

FOR ELECTRICAL TORQUE SPECIFICATIONS SEE DWG NO. 128783-01-000

FOR ELECTRICAL CALLOUTS SEE DWG NO. 121339-01-000

8 7 6 5 4 3 2 1



- NOTES:**
- 7 CABLE MARKED WITH GREEN TAPE.
 - 6 COIL LOOSE END IN FUTURE SATELLITE RECEIVER COMPARTMENT.
 - 5 CONNECTED TO THE REAR SIDE OF SATELLITE PREP PLATE, CONNECTION LABELED "FROM ROOF SATELLITE DISH".
 - 4 SEE WIRING INSTL-BODY, 12V FOR ADDITIONAL INFORMATION.
 - 3 CABLE MARKED WITH ORANGE TAPE.
 - 2 CABLE PART OF WIRE ASM-ROOF.
 - 1 CONNECTED TO THE REAR SIDE OF SATELLITE PREP PLATE CONNECTION LABELED "FROM PORTABLE SATELLITE DISH"

FOR ELECTRICAL TORQUE SPECIFICATIONS SEE DWG NO. 128783-01-000

FOR ELECTRICAL CALLOUTS SEE DWG NO. 121339-01-000

- 265 CODES/STANDARDS-CSA/CMVSS
- 1B1 CODES/STANDARDS USA

DESCRIPTION:		1B1 265	
WIRING INSTL-TV/DVD			
SHEET:	ITEM/PART NO.:	REV	
2 OF 4	000209585 / 30102201000		

8 7 6 5 4 3 2 1



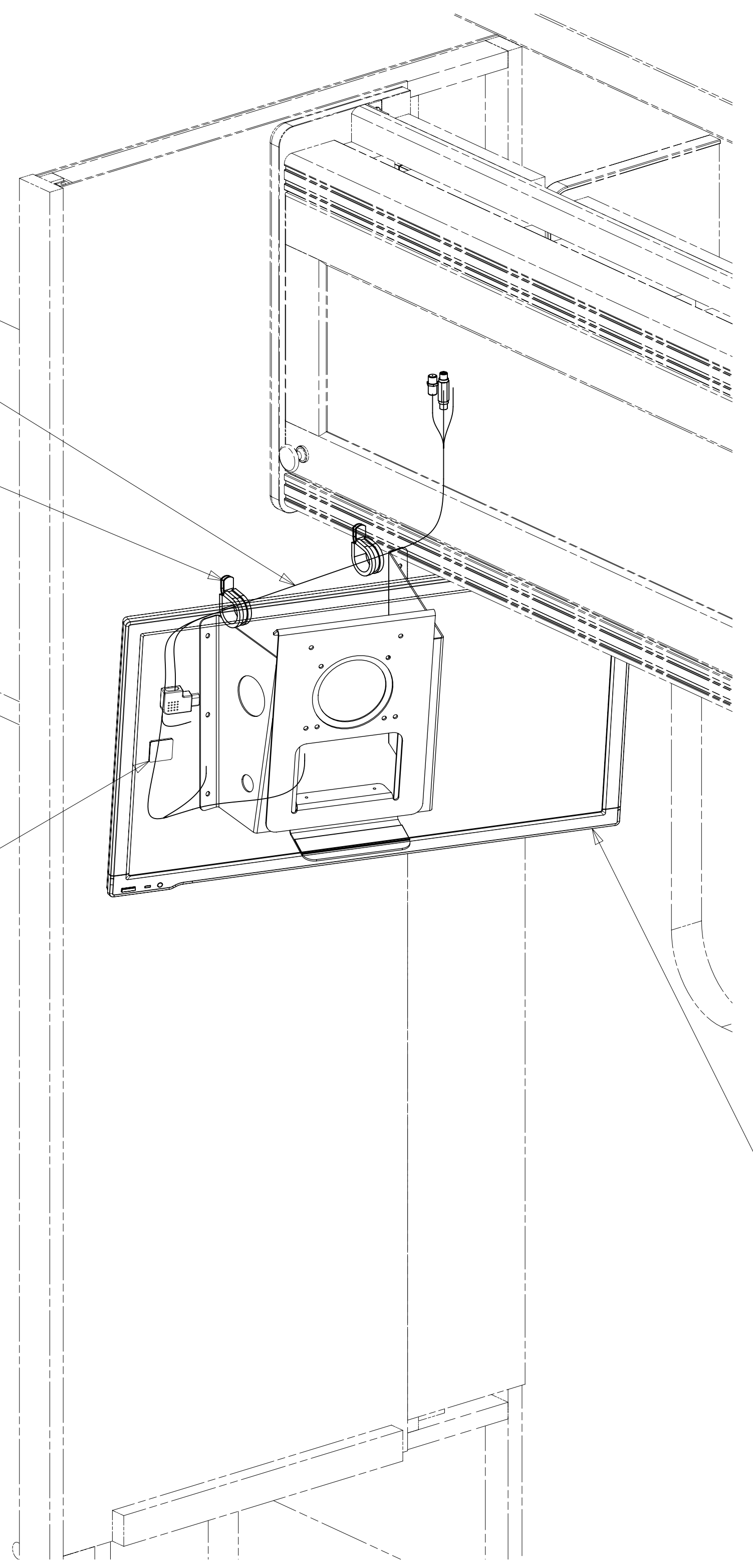
D
C
B
A

D
C
B
A

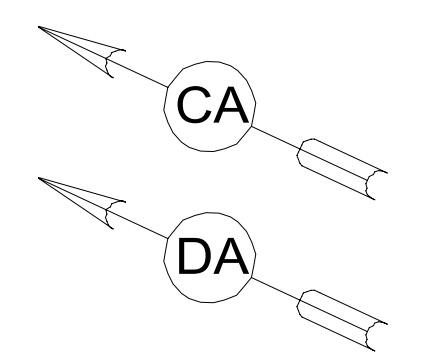
CONDUIT-CONVOLUTE
041953-03-000
(500 MM)

CLAMP
010497-01-000 (2)
SCREW
G11-10-08U (2)

TIE-WIRE, MOUNT
ADHESIVE 1"
155366-01-000
TIE-WIRE
008343-04-000

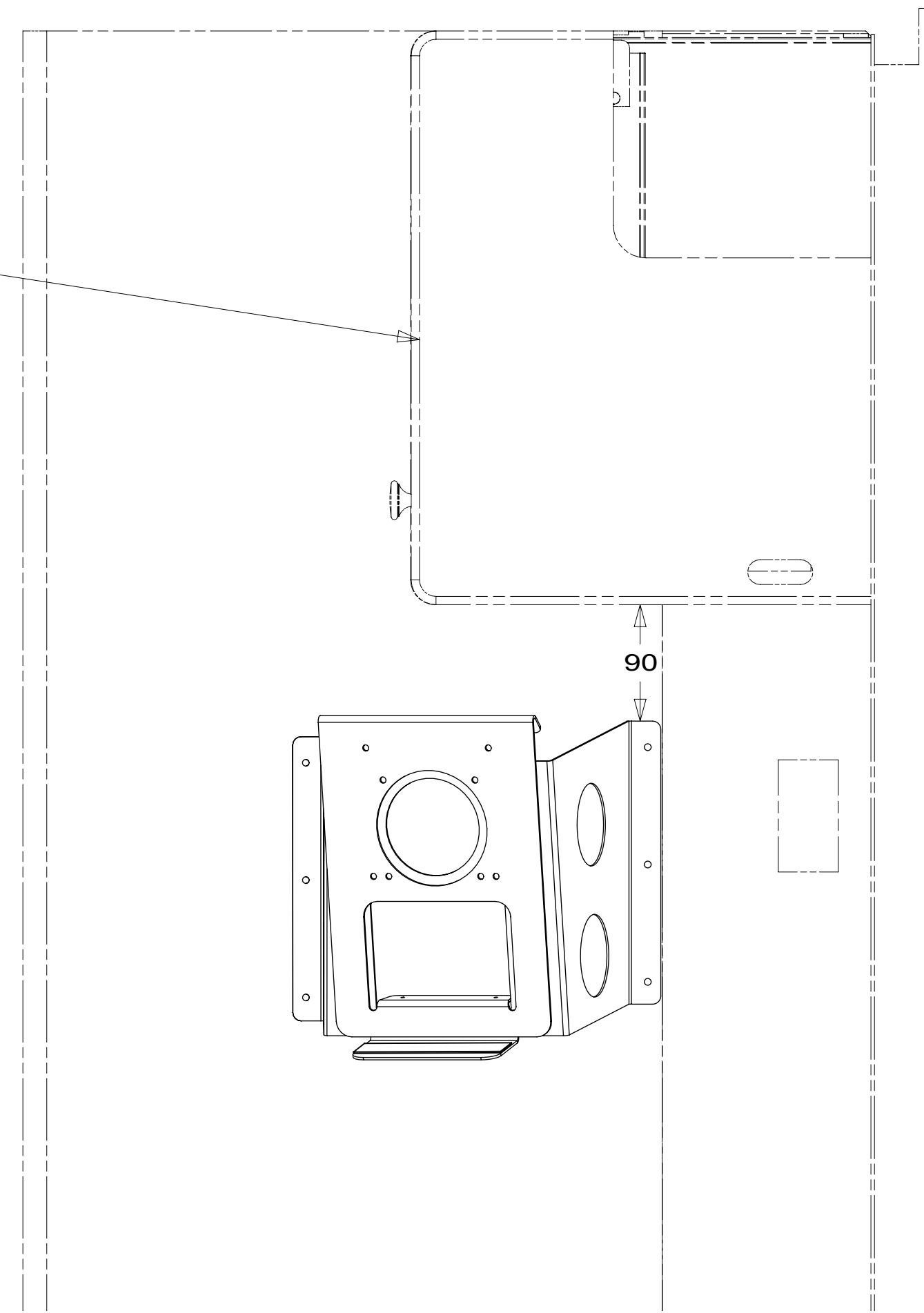


TV-24" HDTV, 12 VDC
000031269 / 316937-01-000
BRACKET-TV
000034270 / 317750-01-CHT
SCREW
000G11-10-10U (6)
PLATE-MOUNTING
000032972 / 317364-01-CHT
TAPE-FOAM, DBL COATED, 045X1.0
076322-23-000 (120 MM)
SCREW
0MG02U-04-010 (4)
SCREW
G11-08-024 (2)
CORD-POWER, 12VDC
191991-01-000



OVHD CABINET
(REF)

SIDEWALL
(REF)



VIEW CA
(TV NOT SHOWN)

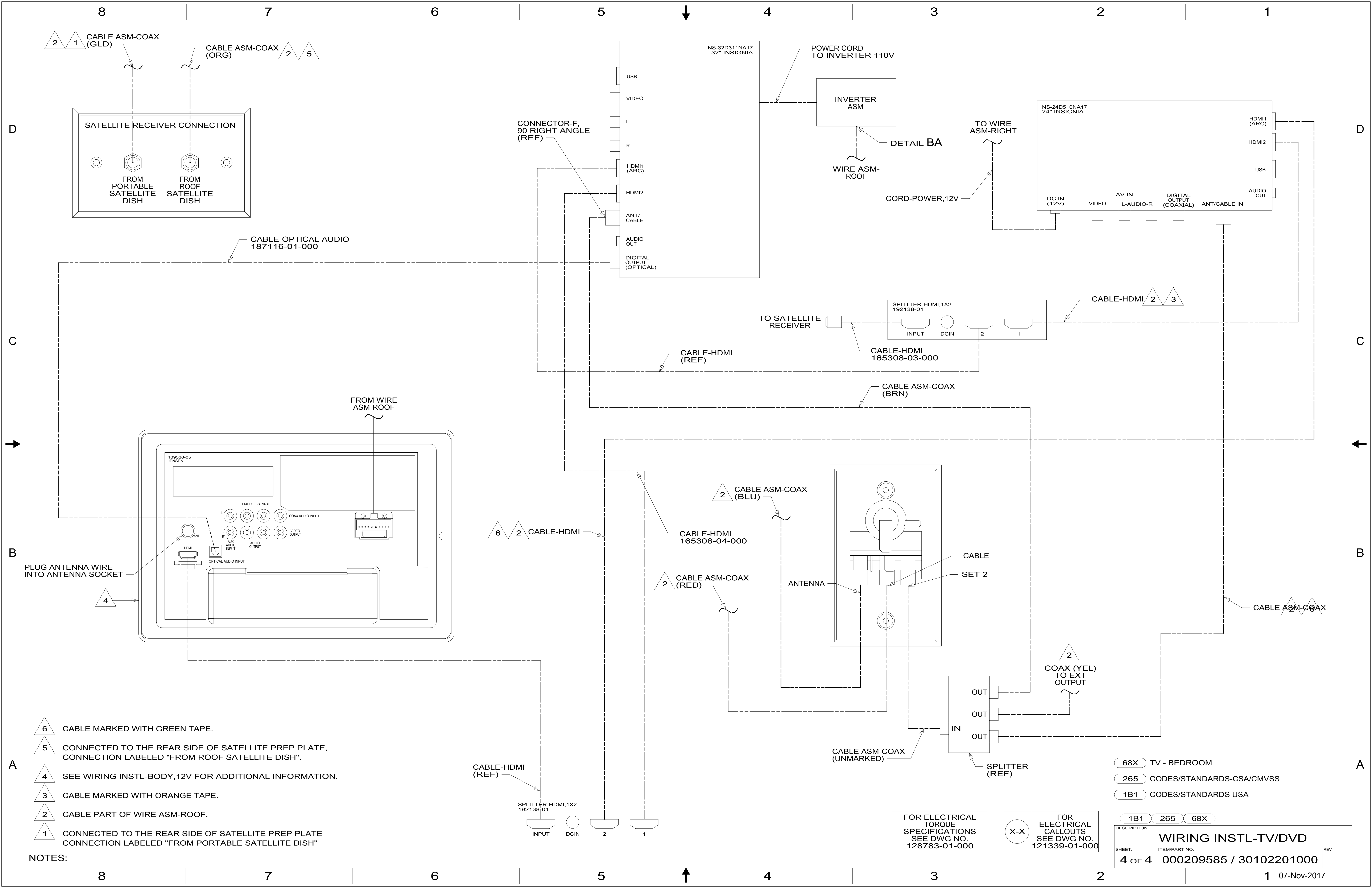
- 68X TV - BEDROOM
- 265 CODES/STANDARDS-CSA/CMVSS
- 1B1 CODES/STANDARDS USA

FOR ELECTRICAL
TORQUE
SPECIFICATIONS
SEE DWG NO.
128783-01-000

FOR
ELECTRICAL
CALLOUTS
SEE DWG NO.
121339-01-000

DESCRIPTION:	1B1 265 68X	
WIRING INSTL-TV/DVD		
SHEET:	ITEM/PART NO:	REV
3 OF 4	000209585 / 30102201000	

8 7 6 5 4 3 2 1 07-Nov-2017



- NOTES:
- △6 CABLE MARKED WITH GREEN TAPE.
 - △5 CONNECTED TO THE REAR SIDE OF SATELLITE PREP PLATE, CONNECTION LABELED "FROM ROOF SATELLITE DISH".
 - △4 SEE WIRING INSTL-BODY, 12V FOR ADDITIONAL INFORMATION.
 - △3 CABLE MARKED WITH ORANGE TAPE.
 - △2 CABLE PART OF WIRE ASM-ROOF.
 - △1 CONNECTED TO THE REAR SIDE OF SATELLITE PREP PLATE CONNECTION LABELED "FROM PORTABLE SATELLITE DISH"

FOR ELECTRICAL TORQUE SPECIFICATIONS SEE DWG NO. 128783-01-000

FOR ELECTRICAL CALLOUTS SEE DWG NO. 121339-01-000

- 68X TV - BEDROOM
- 265 CODES/STANDARDS-CSA/CMVSS
- 1B1 CODES/STANDARDS USA

DESCRIPTION: WIRING INSTL-TV/DVD		
SHEET: 4 OF 4	ITEM/PART NO: 000209585 / 30102201000	REV

A

B

C

D

A

B

C

D