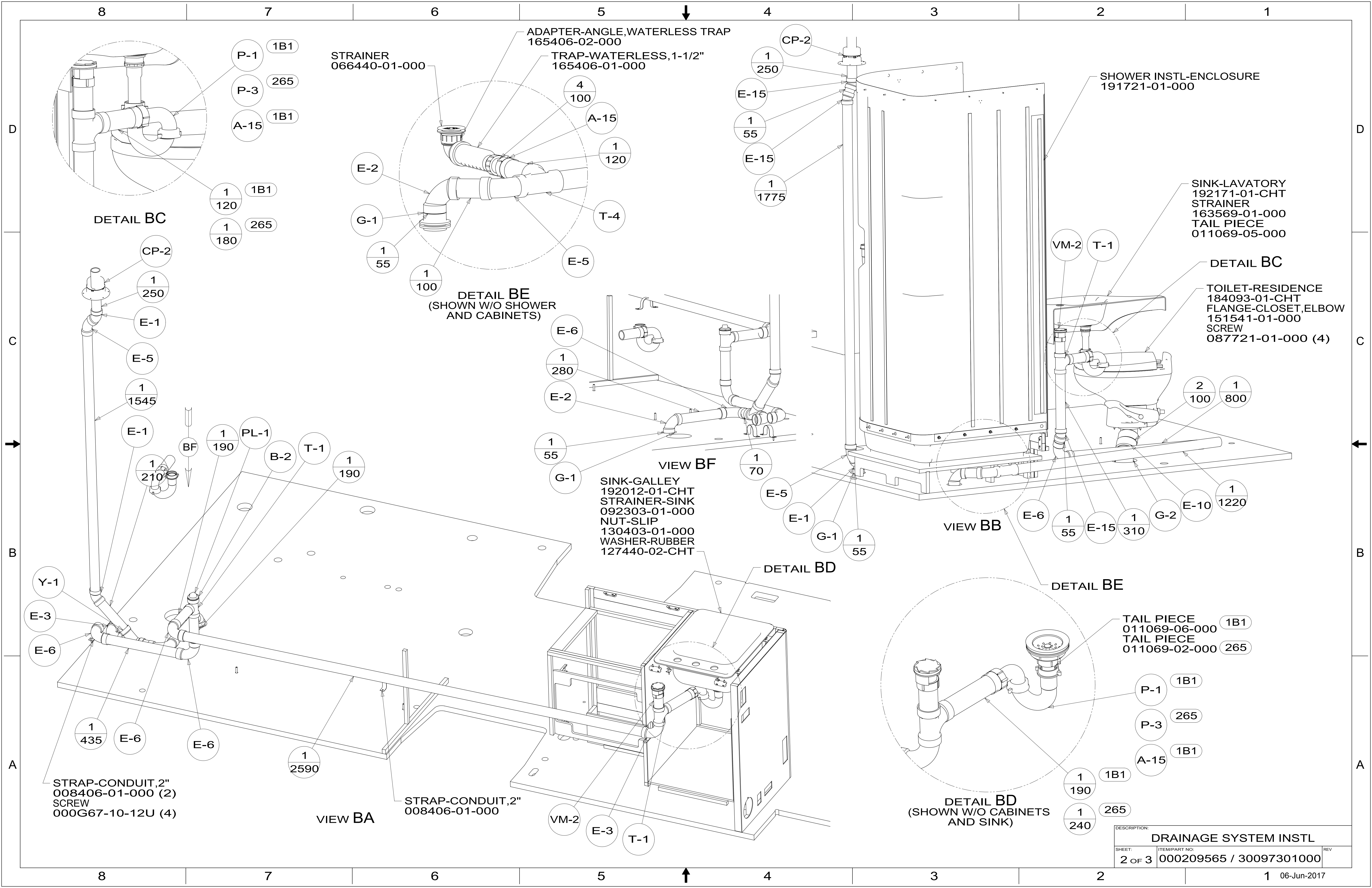


- 11. PREP THE SURFACE PER MANUFACTURERS INSTRUCTIONS BEFORE APPLYING THE HEATING PAD.
- 10. SEE WIRING INSTL-BODY FOR ELECTRICAL CONNECTION.
- 9. SEE DRAWING 061607 FOR INSTALLATION OF GROMMETS.
- 8. SECURE DRAINAGE PIPES TO CABINET USING WIRE TIE 108046-02-000, AND SCREW 000G67-10-12U AT INTERVALS OF NOT OF NOT MORE THAN 4 FEET APART.
- 7. SECURE VENT PIPE TO FLOOR WITH CLAMP 062401-02-000 (2), SCREW 000G67-10-12U (2), BRACKET 136878-01-CHT (2).
- 6. VENT PIPE MUST PROJECT 51 MIN AND 64 MAX ABOVE ROOF FOR PROPER FIT AND FUNCTION. ADD S-1 (116666-01-CHT SEAL-VENT PIPE) AROUND PIPE ON ROOF BEFORE VENT CAP IS INSTALLED.
- 5. SEAL AROUND SHOWER WITH SILICONE.
- 4. USE SMOOTH PLUMBERS PUTTY 167459-01-000 TO SEAL STRAINER (0.2 PER STRAINER).
- 3. ALL PIPE AND FITTINGS TO BE ASSEMBLED WITH SOLVENT 004020-01-000 (USA), 004020-02-000 (CAN)
- 2. SLOPE OF TRAP ARM MUST BE 6 PER 305 mm.
- 1. SLOPE OF HORIZONTAL PIPING TO BE MINIMUM OF 3 PER 305 mm.

- 1B1 CODES/STANDARDS USA
- 265 CODES/STANDARDS-CSA/CMVSS
- 23T DRAINAGE SYSTEM-HEATED

|   |   |
|---|---|
| <b>WINNEBAGO</b><br>COPYRIGHT 2017 WINNEBAGO INDUSTRIES, INC. |   |
| DSNR:   | ALL DIMENSIONS ARE IN MILLIMETERS       |
| DIFFR:  |   |
| UNSPECIFIED TOLERANCES:                                       | MATERIAL:                               |
| WHOLE DIM (X) ± 3   |   |
| ONE-PLACE (X.X) ± 1.5   |   |
| TWO-PLACE (X.XX) ± 0.50                                       |   |
| ANGLE ± 1°  |   |
| REFER TO ES0018 FOR FASTENER TIGHTENING GUIDELINES            | WEIGHT: (LBS) FIRST USED: (REF) 16 423A |
| <b>DRAINAGE SYSTEM INSTL</b>                                  |   |
| SHEET: 1 OF 3   | ITEM/PART NO: 000209565 / 30097301000   |

X-X  
FOR DRAINAGE CALLOUTS SEE DWG NO. 000211962 / 303370-01-000



ADAPTER-ANGLE, WATERLESS TRAP  
165406-02-000

TRAP-WATERLESS, 1-1/2"  
165406-01-000

STRAINER  
066440-01-000

SHOWER INSTL-ENCLOSURE  
191721-01-000

SINK-LAVATORY  
192171-01-CHT  
STRAINER  
163569-01-000  
TAIL PIECE  
011069-05-000

SINK-GALLEY  
192012-01-CHT  
STRAINER-SINK  
092303-01-000  
NUT-SLIP  
130403-01-000  
WASHER-RUBBER  
127440-02-CHT

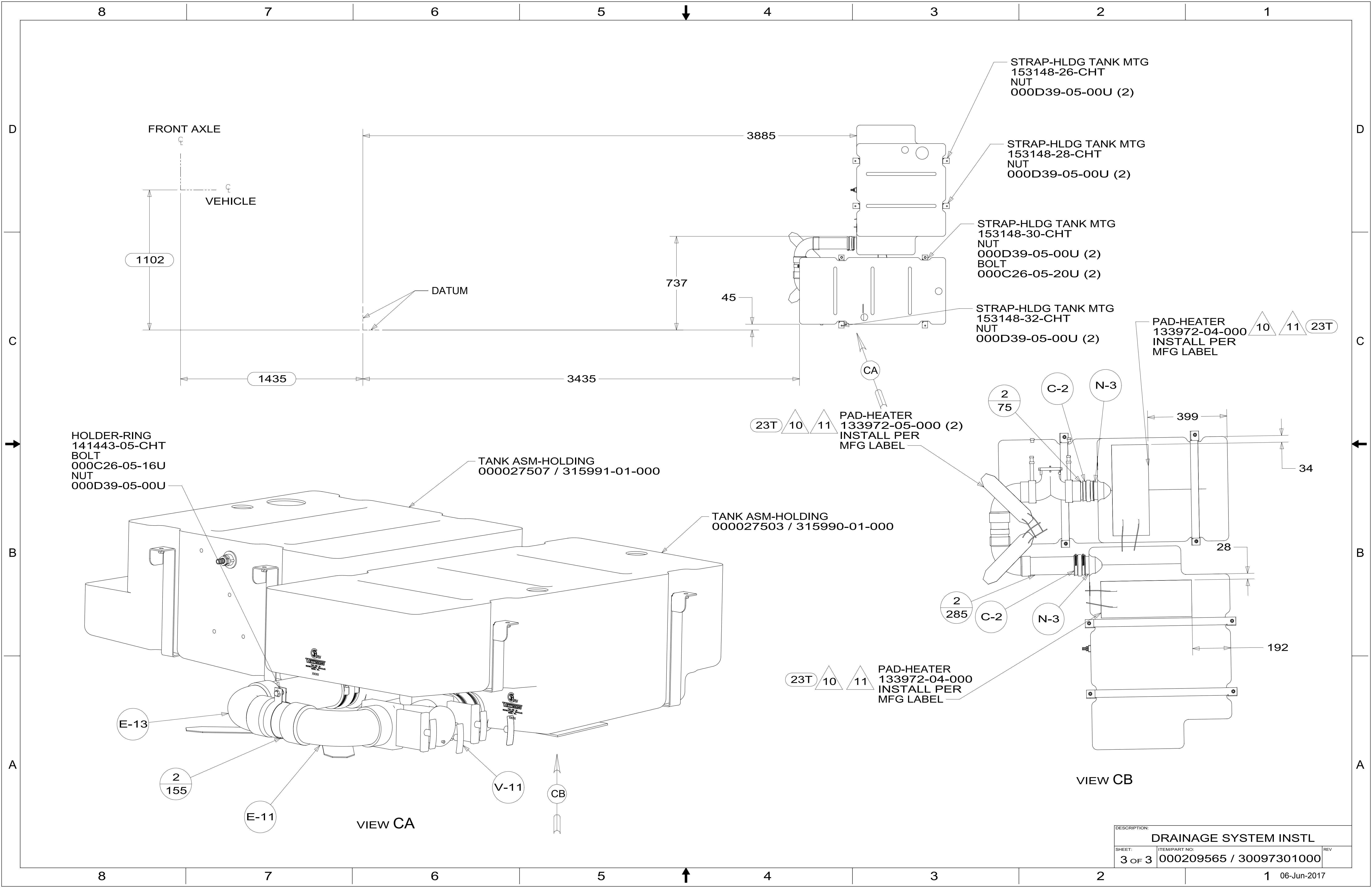
TAIL PIECE  
011069-06-000  
TAIL PIECE  
011069-02-000

STRAP-CONDUIT, 2"  
008406-01-000 (2)  
SCREW  
000G67-10-12U (4)

STRAP-CONDUIT, 2"  
008406-01-000

DETAIL BD  
(SHOWN W/O CABINETS  
AND SINK)

|  |  |     |
|--|--|-----|
| DESCRIPTION:<br><b>DRAINAGE SYSTEM INSTL</b> |  |     |
| SHEET:<br>2 OF 3                             | ITEM/PART NO:<br>000209565 / 30097301000 | REV |



FRONT AXLE

VEHICLE

1102

DATUM

737

45

3885

1435

3435

STRAP-HLDG TANK MTG  
153148-26-CHT  
NUT  
000D39-05-00U (2)

STRAP-HLDG TANK MTG  
153148-28-CHT  
NUT  
000D39-05-00U (2)

STRAP-HLDG TANK MTG  
153148-30-CHT  
NUT  
000D39-05-00U (2)  
BOLT  
000C26-05-20U (2)

STRAP-HLDG TANK MTG  
153148-32-CHT  
NUT  
000D39-05-00U (2)

PAD-HEATER  
133972-04-000 10 11 23T  
INSTALL PER  
MFG LABEL

HOLDER-RING  
141443-05-CHT  
BOLT  
000C26-05-16U  
NUT  
000D39-05-00U

TANK ASM-HOLDING  
000027507 / 315991-01-000

TANK ASM-HOLDING  
000027503 / 315990-01-000

23T 10 11  
PAD-HEATER  
133972-05-000 (2)  
INSTALL PER  
MFG LABEL

23T 10 11  
PAD-HEATER  
133972-04-000  
INSTALL PER  
MFG LABEL

E-13

2  
155

E-11

V-11

CB

VIEW CA

2  
75

C-2

N-3

399

34

28

2  
285

C-2

N-3

192

VIEW CB

|  |  |     |
|--|--|-----|
| DESCRIPTION:<br><b>DRAINAGE SYSTEM INSTL</b> |  |     |
| SHEET:<br>3 OF 3                             | ITEM/PART NO:<br>000209565 / 30097301000 | REV |