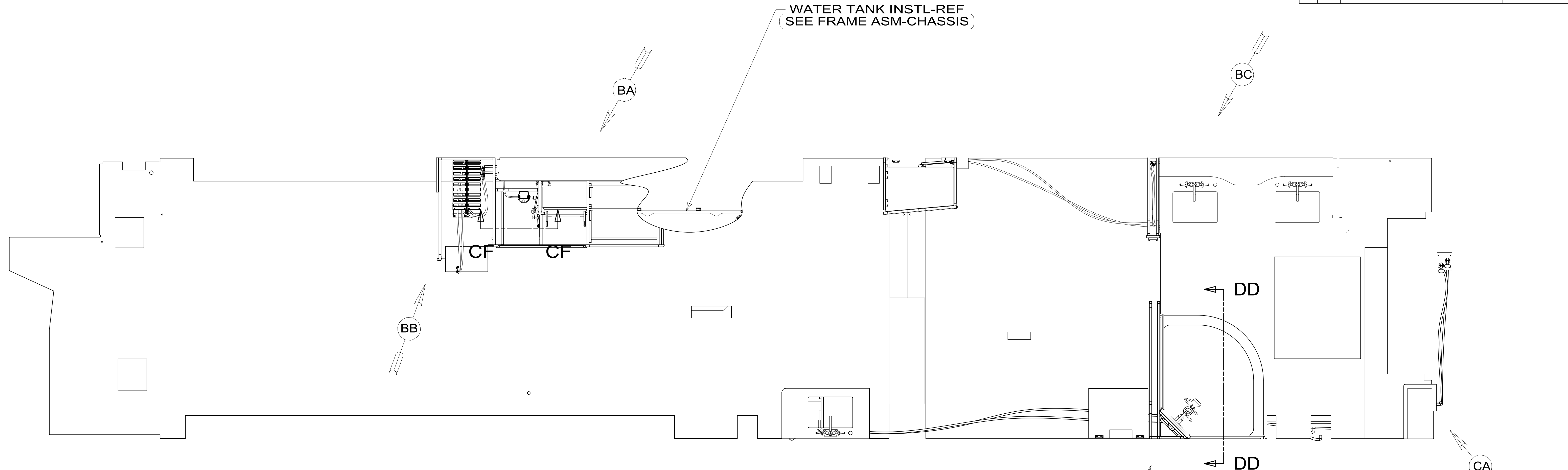


REV	ZONE	REVISION RECORD	DATE	DFTR-ORIG
A	---	INITIAL RELEASE	11/04/15	3650
B	---	SHT 2 A-3 TU-9/100 WAS 150, TU-10/100 WAS 165	1/25/16	7381
C	---	CHG SHOWER LOC. DIM. SHT4	3-7-16	1600-3508
D	---	ADD LENGTH SHT3	3-31-16	1600-3508
E	---	CHG RISERS IN TRACK SHT2	4-27-16	1600-3508
F	SHT2	NEW FILTER	12-21-16	0626-1600
G	---	CHG NIPPLE SHT4	1-17-17	1600-6073

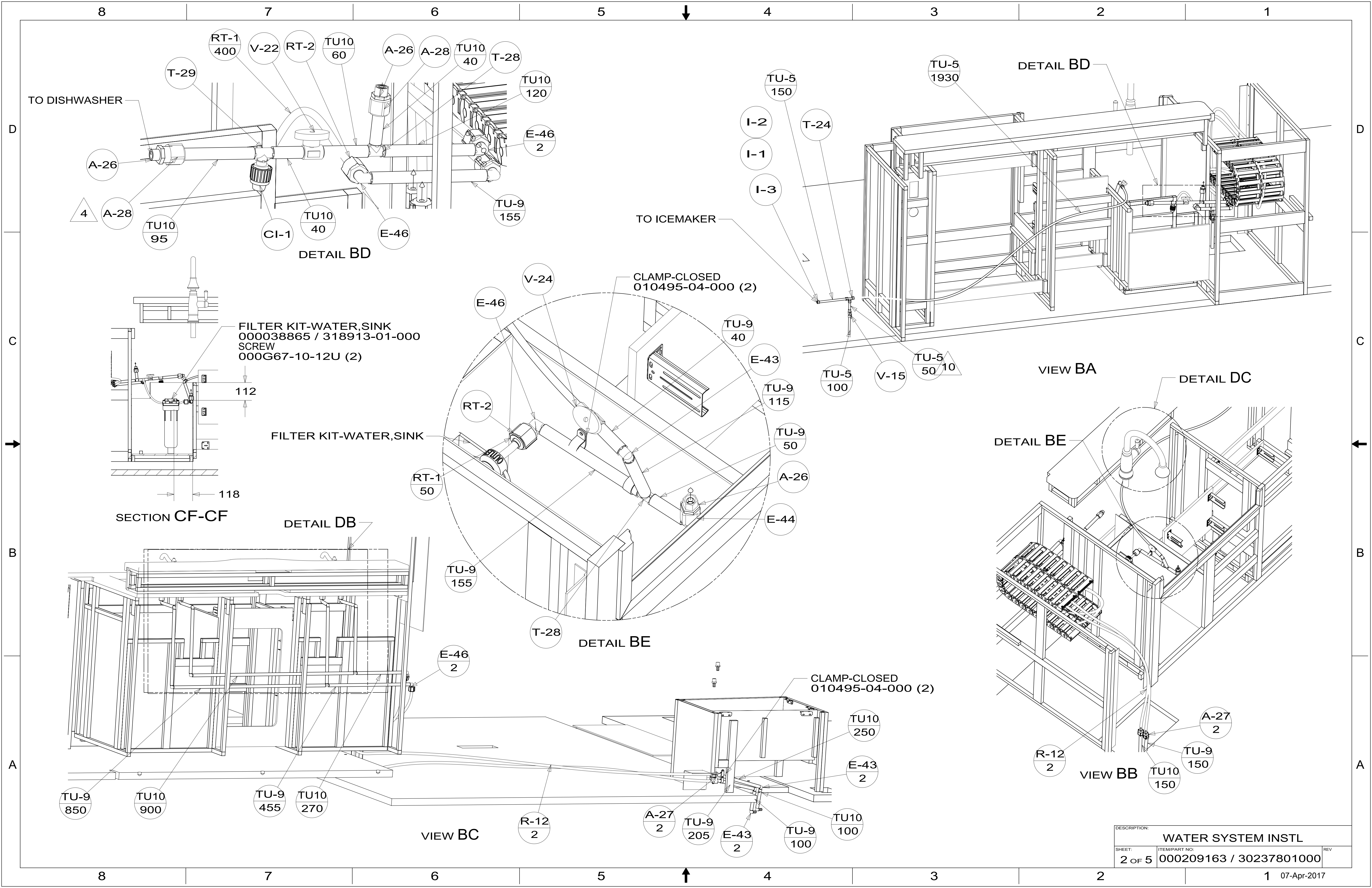


- 14. FOR INSTALLATION USE SILICON-ADHESIVE 131264-05-CHT. APPLY ON TOP OF PLATE, PLACE COVER ON, AND PUT ADHESIVE AROUND COVER.
- 13. INSTALL FAUCET WITHOUT BASEPLATE.
- 12. SEE STYLING SHEETS.
- 11. REQUIRES 5 GALLONS OF 182955-01-000 ANTIFREEZE FOR WINTERIZATION.
- 10. VALVE MUST REMAIN OPEN AFTER WATER TEST.
- 9. FLUSHING SYSTEM REQUIRES 125697-06-000 INSTRUCTION SHEET.
- 8. ALL CRIMP FITTINGS TO PEX TUBING REQUIRE 1/2" CLAMP 140171-03-000.
- 7. ALL CRIMP FITTINGS TO PEX TUBING REQUIRE 5/8" CLAMP 140171-04-000.
- 6. LABEL HOT AND COLD SUPPLY TUBES AND TAPE FITTING TO TUBE BEFORE CABINET SET TO PREVENT MOVEMENT.
- 5. ADD PIPE WRAP (LADDER SCRAP 110157-02-000) INSULATION.
- 4. ADD TEFLON TAPE 010405-02-000.
- 3. ALL TUBING TO BE SECURED AT 1200 INTERVALS MAXIMUM WITH CLAMP 010495-01-000 AND SCREW 000G67-10-12U OR EQUIVALENT.
- 2. TUBING TO BE INSTALLED WITH SUFFICIENT SLOPE TO PROVIDE DRAINAGE TO NEAREST VALVE.
- 1. PLASTIC FITTINGS TO BE SEALED WITH SEALANT 084456-01-000.

X-X
FOR WATER CALLOUTS SEE DWG NO. 000209446 / 303369-01-000

WINNEBAGO
COPYRIGHT 2017 WINNEBAGO INDUSTRIES, INC.

DSNR:	ALL DIMENSIONS ARE IN MILLIMETERS	
DFTR:	MATERIAL:	
UNSPECIFIED TOLERANCES:	WHOLE DIM (X) :	3
	ONE-PLACE (X.X) :	1.5
	TWO-PLACE (X.XX) :	0.50
	ANGLE :	1°
REFER TO ES0018 FOR FASTENER TIGHTENING GUIDELINES	WEIGHT: (LBS)	FIRST USED: (REF) 16 R45RL
DESCRIPTION: WATER SYSTEM INSTL		
SHEET: 1 OF 5	ITEM/PART NO: 000209163 / 30237801000	REV
REF:		1 07-Apr-2017



TO DISHWASHER

TO ICEMAKER

DETAIL BD

DETAIL BD

CLAMP-CLOSED
010495-04-000 (2)

FILTER KIT-WATER, SINK
000038865 / 318913-01-000
SCREW
000G67-10-12U (2)

SECTION CF-CF

DETAIL DB

DETAIL BE

VIEW BA

DETAIL DC

DETAIL BE

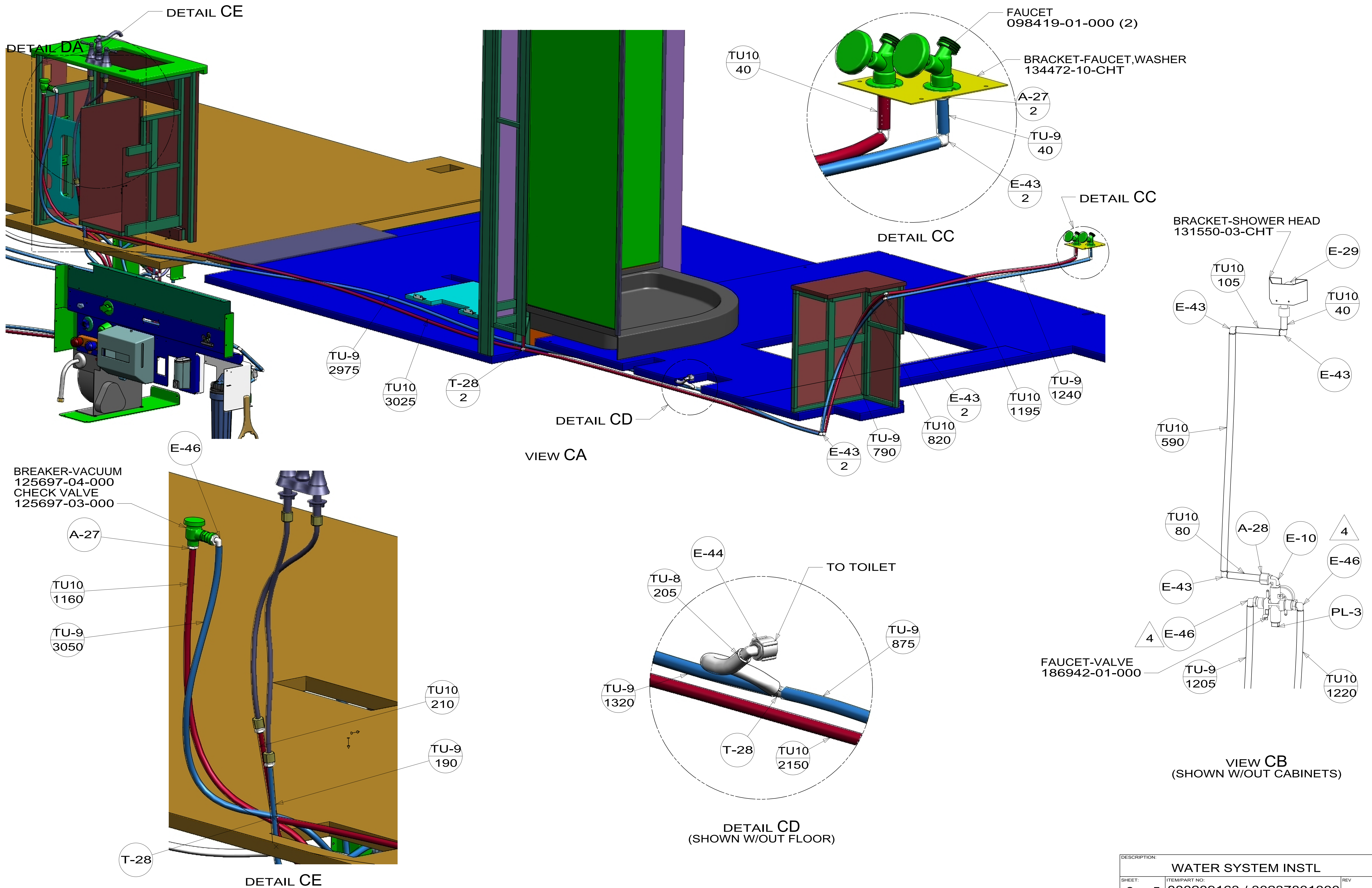
VIEW BB

VIEW BC

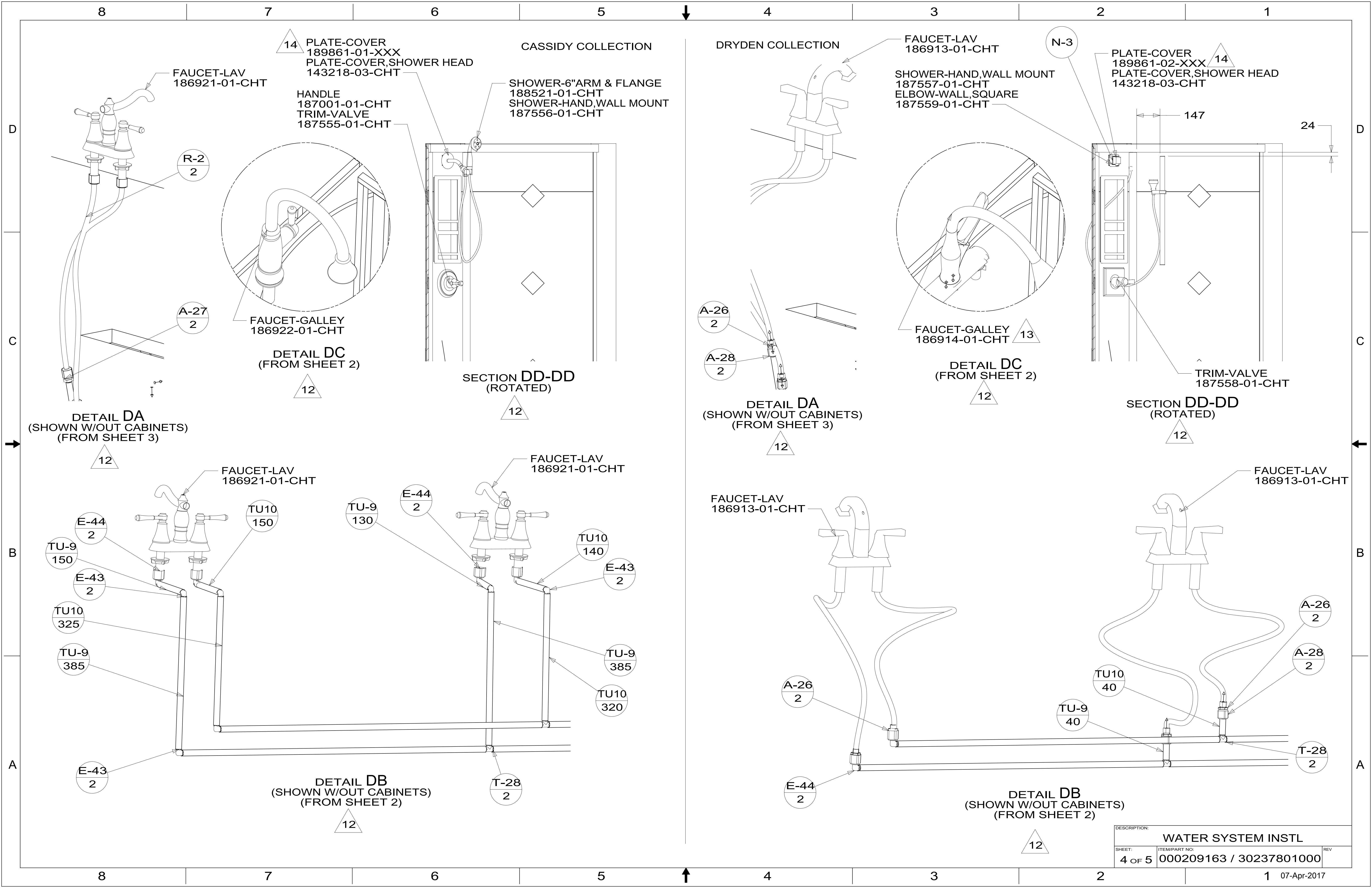
CLAMP-CLOSED
010495-04-000 (2)

DESCRIPTION: WATER SYSTEM INSTL		
SHEET: 2 OF 5	ITEM/PART NO: 000209163 / 30237801000	REV

1 07-Apr-2017



DESCRIPTION:		
WATER SYSTEM INSTL		
SHEET:	ITEM/PART NO.:	REV
3 OF 5	000209163 / 30237801000	
		1 07-Apr-2017



DESCRIPTION:		
WATER SYSTEM INSTL		
SHEET:	ITEM/PART NO.:	REV
4 OF 5	000209163 / 30237801000	

