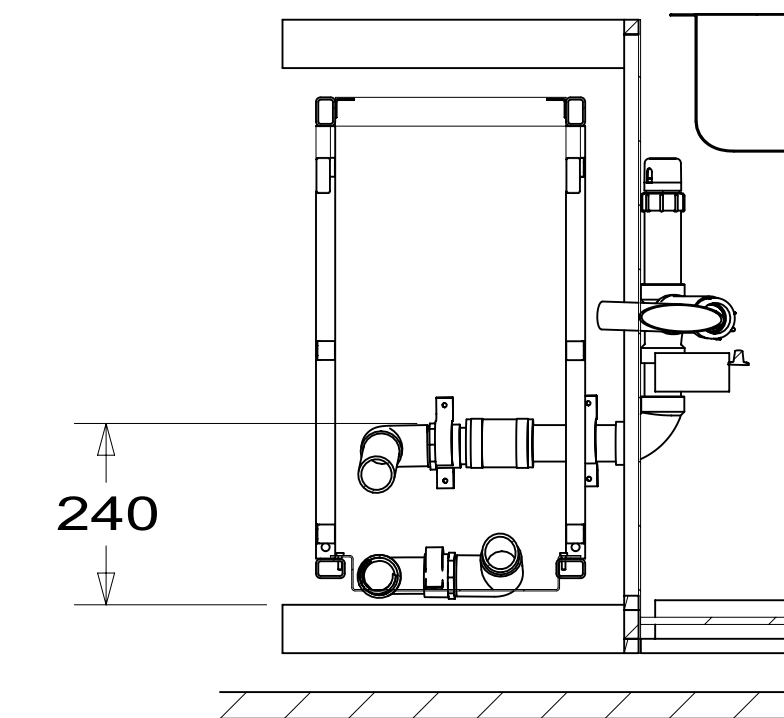


- 14. LOCATE BACK EDGE OF TOILET 70MM FROM SIDEWALL.
- 13. REMOVE SWIVEL NUT ON TRAP-WATERLESS 165406-01-000, AND CONNECT A-10.
- 12. REQUIRES 5 GALLONS RV ANTIFREEZE 182955-01-000 PER TOILET. FOLLOW TECMA TOILET WINTERIZATION PROCEDURE.
- 11. GLUE FITTING AFTER CABINET IS INSTALLED.
- 10. APPLY PRIMER 126427-02-000 AND CEMENT 126427-01-000 BETWEEN ELBOW AND FLEX PIPE.
 - 9. SEE DRAWING 061607 FOR INSTALLATION OF GROMMETS.
 - 8. SECURE DRAINAGE PIPES TO CABINET USING WIRE TIE 108046-02-000, AND SCREW 000G67-10-12U AT INTERVALS OF NOT OF NOT MORE THAN 4 FEET APART.
 - 7. SECURE VENT PIPE TO GROMMET WITH CLAMP 062401-02-000.
 - 6. VENT PIPE MUST PROJECT 51 MIN AND 64 MAX ABOVE ROOF FOR PROPER FIT AND FUNCTION. ADD S-1 (116666-01-CHT SEAL-VENT PIPE) AROUND PIPE ON ROOF BEFORE VENT CAP IS INSTALLED.
 - 5. SEAL AROUND SHOWER WITH SILICONE.
 - 4. USE SMOOTH PLUMBERS PUTTY 167459-01-000 TO SEAL STRAINER (0.2 PER STRAINER).
 - 3. ALL PIPE AND FITTINGS TO BE ASSEMBLED WITH SOLVENT 004020-01-000 (USA), 004020-02-000 (CAN)
 - 2. SLOPE OF TRAP ARM MUST BE 6 PER 305 mm.
 - 1. SLOPE OF HORIZONTAL PIPING TO BE MINIMUM OF 3 PER 305 mm.



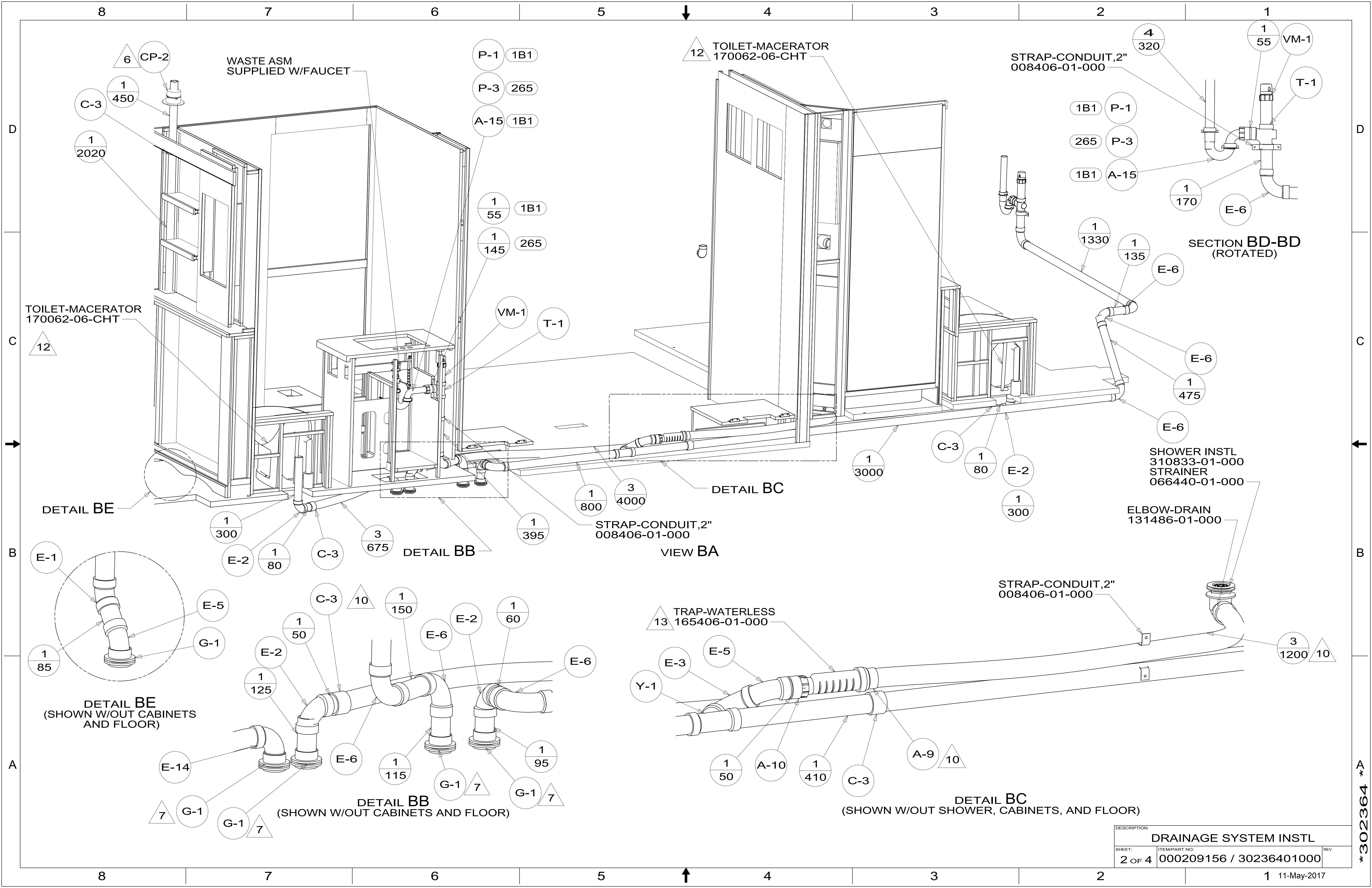
SECTION AA-AA

X-X
FOR
DRAINAGE
CALLOUTS
SEE DWG NO.
000211962 /
303370-01-000

- 1B1 CODES/STANDARDS USA
- 265 CODES/STDS-CSA,CMVSS

| | | |
|---|-----------------------------------|-------------------|
| WINNEBAGO COPYRIGHT 2017 WINNEBAGO INDUSTRIES, INC. | | |
| DSNR: | ALL DIMENSIONS ARE IN MILLIMETERS | |
| DIFTR: | MATERIAL: | |
| UNSPECIFIED TOLERANCES: | | |
| WHOLE DIM (X) : | 3 | |
| ONE-PLACE (X.X) : | 1.5 | |
| TWO-PLACE (X.XX) : | 0.50 | |
| ANGLE : | 1° | |
| REFER TO ES0018 FOR FASTENER TIGHTENING GUIDELINES | WEIGHT: (LBS) | FIRST USED: (REF) |
| | | 16 R45RL |
| DESCRIPTION: | | |
| DRAINAGE SYSTEM INSTL | | |
| SHEET: | ITEM/PART NO: | REV |
| 1 OF 4 | 000209156 / 30236401000 | |
| REF: | | 1 11-May-2017 |

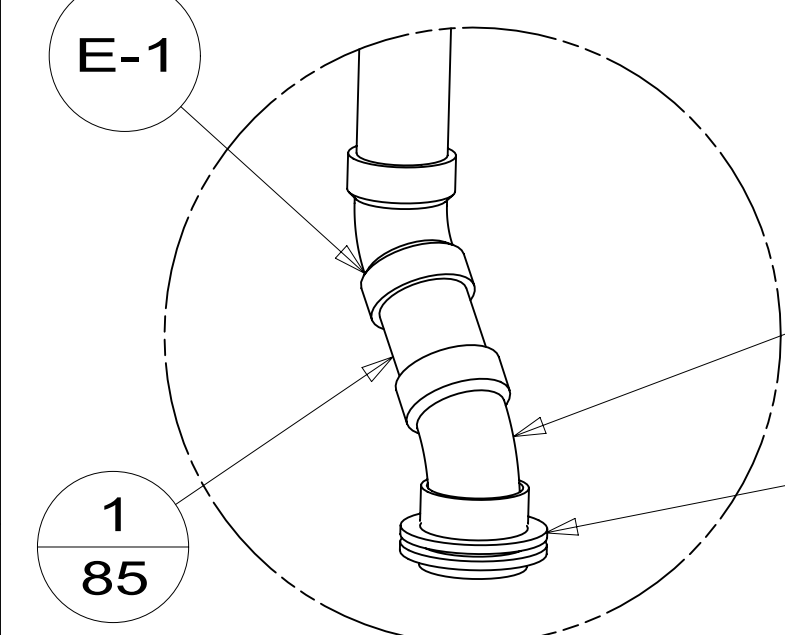
*302364 *A



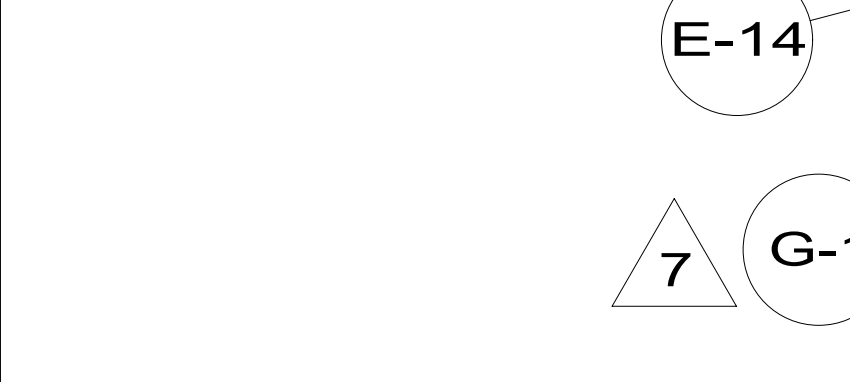
TOILET-MACERATOR
170062-06-CHT

12

DETAIL BE



DETAIL BE
(SHOWN W/OUT CABINETS
AND FLOOR)



DETAIL BB
(SHOWN W/OUT CABINETS
AND FLOOR)

WASTE ASM
SUPPLIED W/FAUCET

1
300

E-2

1
80

C-3

1
125

E-2

1
115

E-14

7

G-1

P-1 1B1

P-3 265

A-15 1B1

1
55 1B1

1
145 265

1
300

3
675

1
80

1
150

1
60

1
125

1
115

1
95

1
85

1
150

1
60

1
125

1
115

1
95

1
85

1
150

1
60

1
125

1
115

1
95

1
85

1
150

1
60

1
125

1
115

1
95

1
85

VM-1

T-1

1
55 1B1

1
145 265

1
300

3
675

1
80

1
150

1
60

1
125

1
115

1
95

1
85

1
150

1
60

1
125

1
115

1
95

1
85

1
150

1
60

1
125

1
115

1
95

1
85

1
150

1
60

1
125

1
115

1
95

1
85

1
85

1
55 1B1

1
145 265

1
300

3
675

1
80

1
150

1
60

1
125

1
115

1
95

1
85

1
150

1
60

1
125

1
115

1
95

1
85

1
150

1
60

1
125

1
115

1
95

1
85

1
150

1
60

1
125

1
115

1
95

1
85

1
150

1
60

1
85

1
55 1B1

1
145 265

1
300

3
675

1
80

1
150

1
60

1
125

1
115

1
95

1
85

1
150

1
60

1
125

1
115

1
95

1
85

1
150

1
60

1
125

1
115

1
95

1
85

1
150

1
60

1
125

1
115

1
95

1
85

1
150

1
60

1
85

1
55 1B1

1
145 265

1
300

3
675

1
80

1
150

1
60

1
125

1
115

1
95

1
85

1
150

1
60

1
125

1
115

1
95

1
85

1
150

1
60

1
125

1
115

1
95

1
85

1
150

1
60

1
125

1
115

1
95

1
85

1
150

1
60

1
85

1
55 1B1

1
145 265

1
300

3
675

1
80

1
150

1
60

1
125

1
115

1
95

1
85

1
150

1
60

1
125

1
115

1
95

1
85

1
150

1
60

1
125

1
115

1
95

1
85

1
150

1
60

1
125

1
115

1
95

1
85

1
150

1
60

1
85

1
55 1B1

1
145 265

1
300

3
675

1
80

1
150

1
60

1
125

1
115

1
95

1
85

1
150

1
60

1
125

1
115

1
95

1
85

1
150

1
60

1
125

1
115

1
95

1
85

1
150

1
60

1
125

1
115

1
95

1
85

1
150

1
60

1
85

1
55 1B1

1
145 265

1
300

3
675

1
80

1
150

1
60

1
125

1
115

1
95

1
85

1
150

1
60

1
125

1
115

1
95

1
85

1
150

1
60

1
125

1
115

1
95

1
85

1
150

1
60

1
125

1
115

1
95

1
85

1
150

1
60

1
85

1
55 1B1

1
145 265

1
300

3
675

1
80

1
150

1
60

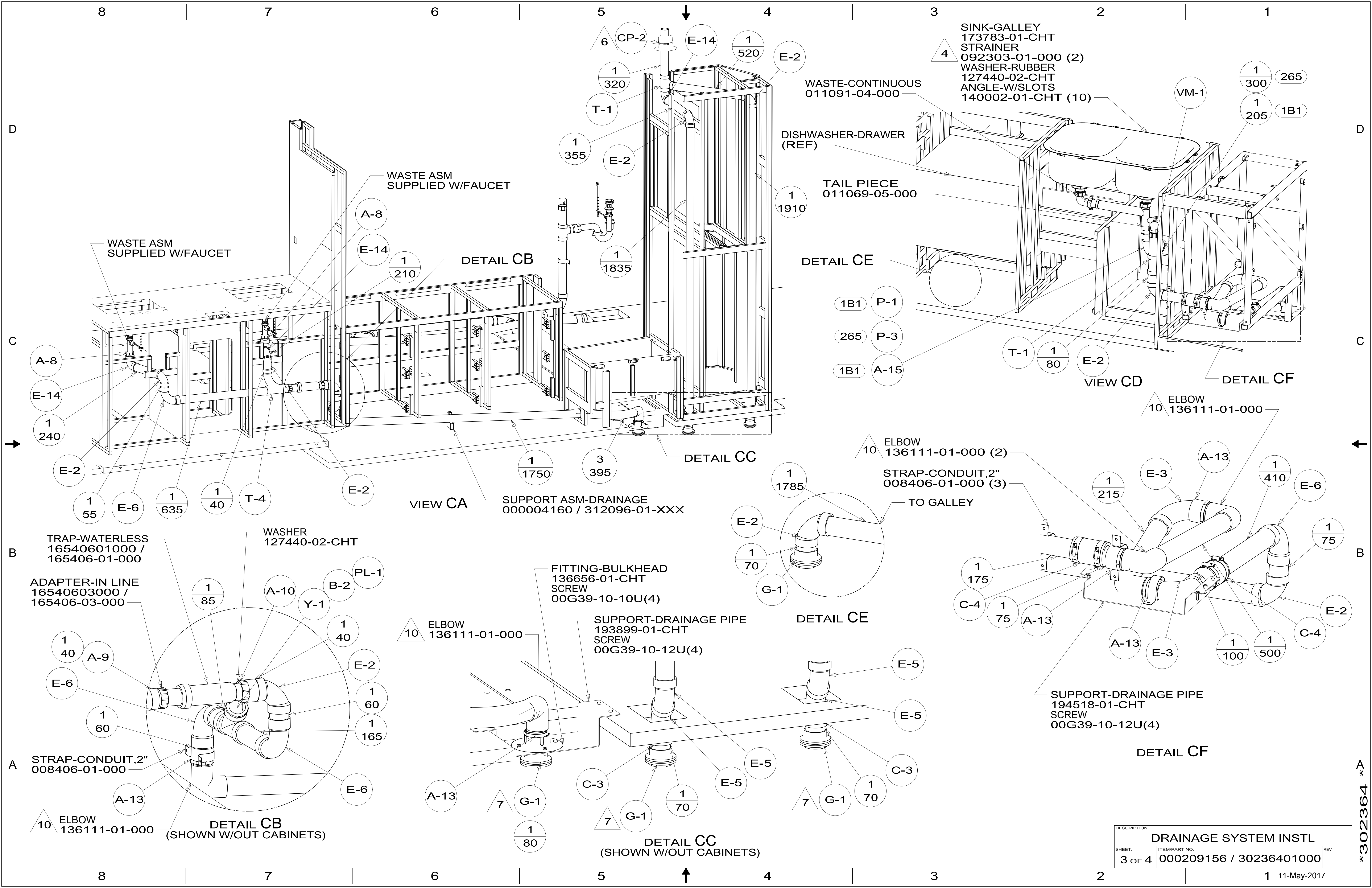
1
125

1
115

1
95

1
85

1
150



- SINK-GALLEY
173783-01-CHT
- STRAINER
092303-01-000 (2)
- WASHER-RUBBER
127440-02-CHT
- ANGLE-W/SLOTS
140002-01-CHT (10)

- WASTE ASM SUPPLIED W/FAUCET
- A-8
- E-14
- 1 240
- E-2
- 1 55
- E-6
- 1 635
- 1 40
- T-4

- TRAP-WATERLESS
16540601000 /
165406-01-000
- ADAPTER-IN LINE
16540603000 /
165406-03-000
- WASHER
127440-02-CHT
- 1 85
- A-10
- Y-1
- B-2
- 1 40
- E-2
- 1 60
- 1 165
- 1 40
- A-9
- E-6
- 1 60
- A-13
- E-6
- 10 ELBOW
136111-01-000
- DETAIL CB
(SHOWN W/OUT CABINETS)

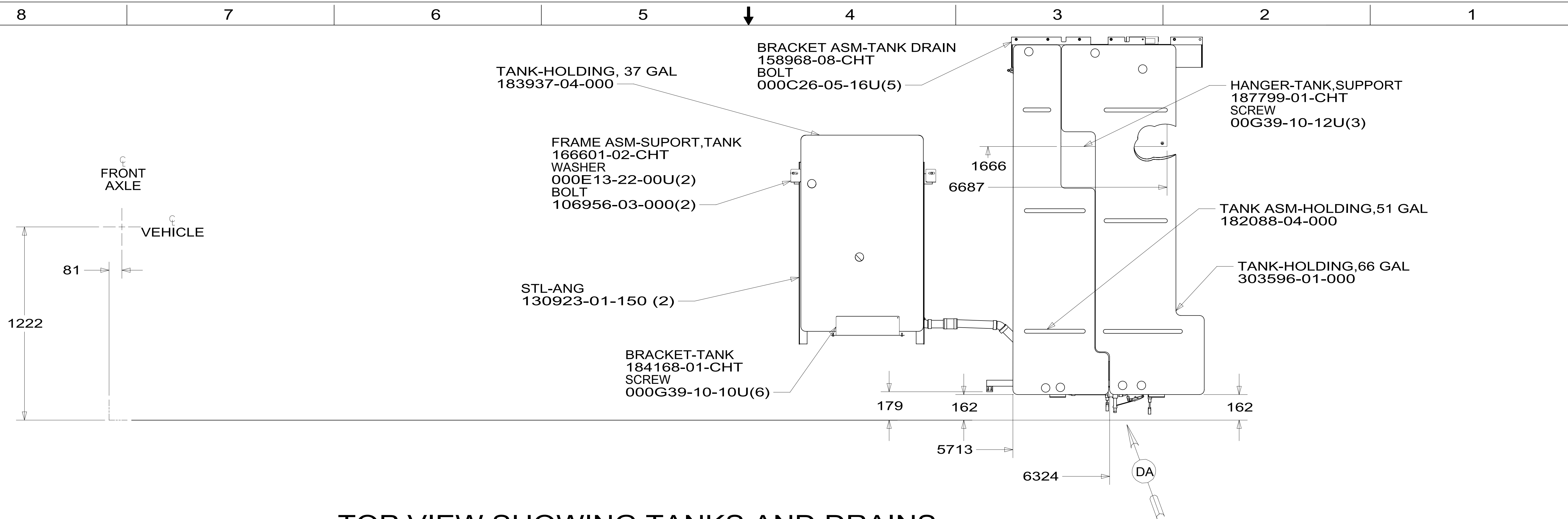
- VIEW CA
- SUPPORT ASM-DRAINAGE
000004160 / 312096-01-XXX
- 1 1750
- 3 395
- 1 1785
- E-2
- 1 70
- G-1
- DETAIL CE
- 10 ELBOW
136111-01-000
- FITTING-BULKHEAD
136656-01-CHT
SCREW
00G39-10-10U(4)
- SUPPORT-DRAINAGE PIPE
193899-01-CHT
SCREW
00G39-10-12U(4)
- 10 ELBOW
136111-01-000
- A-13
- 7 G-1
- 1 80
- C-3
- 7 G-1
- 1 70
- E-5
- E-5
- C-3
- 1 70
- E-5
- DETAIL CC
(SHOWN W/OUT CABINETS)

- 10 ELBOW
136111-01-000 (2)
- STRAP-CONDUIT, 2"
008406-01-000 (3)
- TO GALLEY
- 1 1785
- E-2
- 1 70
- G-1
- DETAIL CE

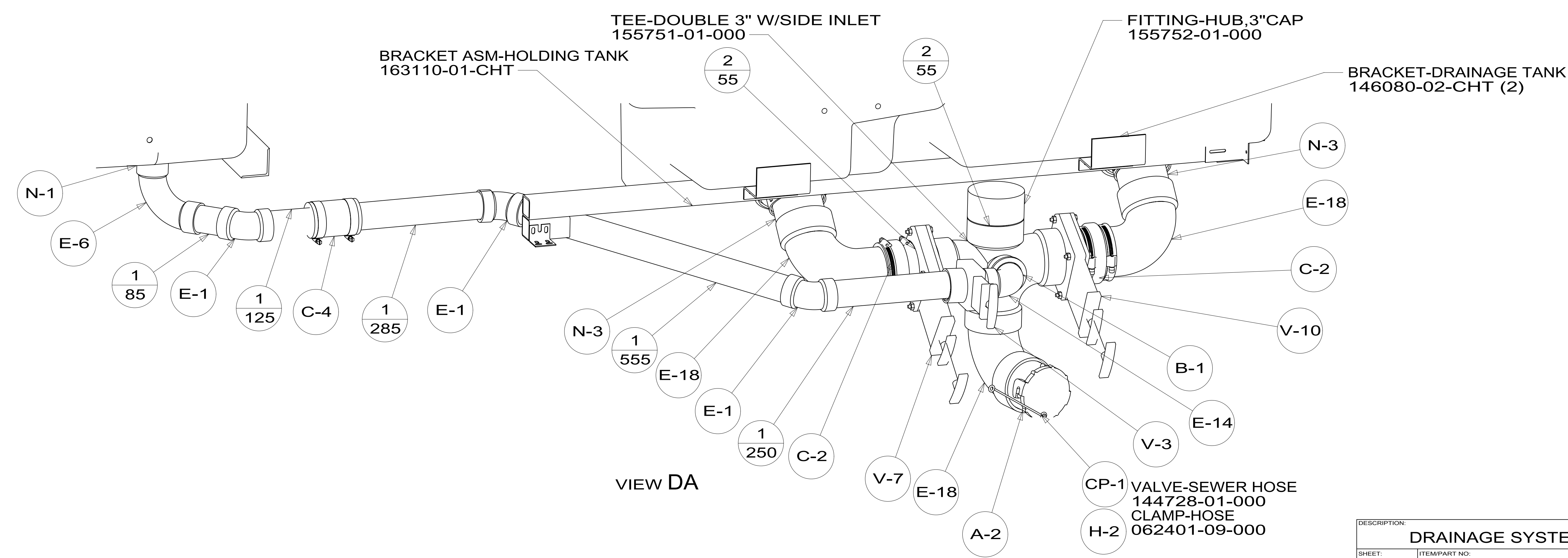
- VIEW CD
- DETAIL CF
- 10 ELBOW
136111-01-000
- 1 215
- E-3
- A-13
- 1 410
- E-6
- 1 75
- E-2
- 1 175
- C-4
- 1 75
- A-13
- A-13
- E-3
- 1 100
- 1 500
- C-4
- SUPPORT-DRAINAGE PIPE
194518-01-CHT
SCREW
00G39-10-12U(4)
- DETAIL CF

| | | |
|-----------------------|-------------------------|-----|
| DESCRIPTION: | | |
| DRAINAGE SYSTEM INSTL | | |
| SHEET: | ITEM/PART NO.: | REV |
| 3 OF 4 | 000209156 / 30236401000 | |

302364



TOP VIEW SHOWING TANKS AND DRAINS



| | | |
|-----------------------|-------------------------|-----|
| DESCRIPTION: | | |
| DRAINAGE SYSTEM INSTL | | |
| SHEET: | ITEM/PART NO: | REV |
| 4 OF 4 | 000209156 / 30236401000 | |

*302364 *A