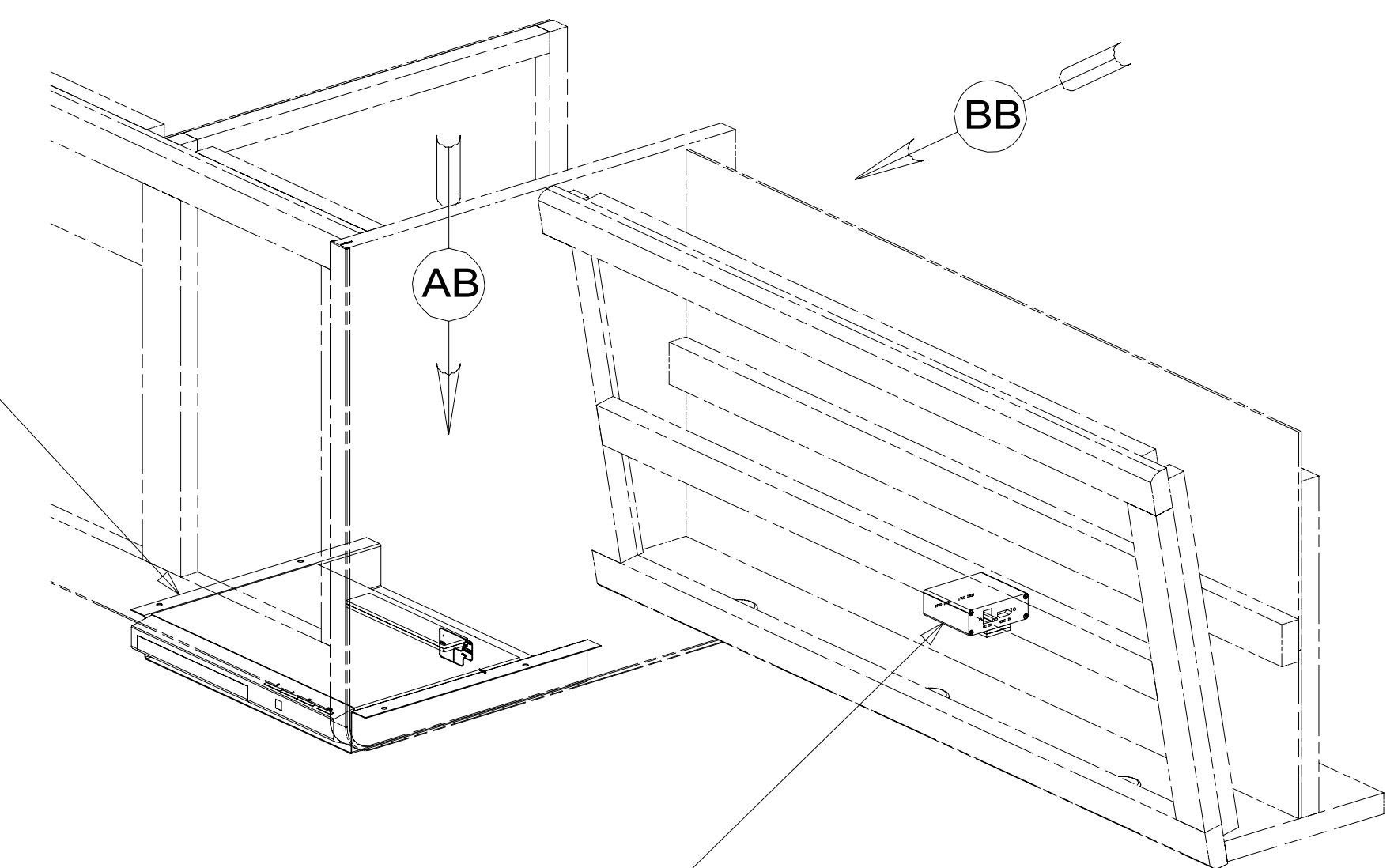


BRACKET-TV, 32" INSIGNIA  
 000034781 / 317873-01-CHT  
 SCREW  
 000G39-10-16U (6)  
 SCREW  
 000G39-10-08U (2)  
 INVERTER ASM-155W W/ SOCKET  
 000034454 / 317778-01-XXX  
 SCREW  
 000G39-10-08U (4)

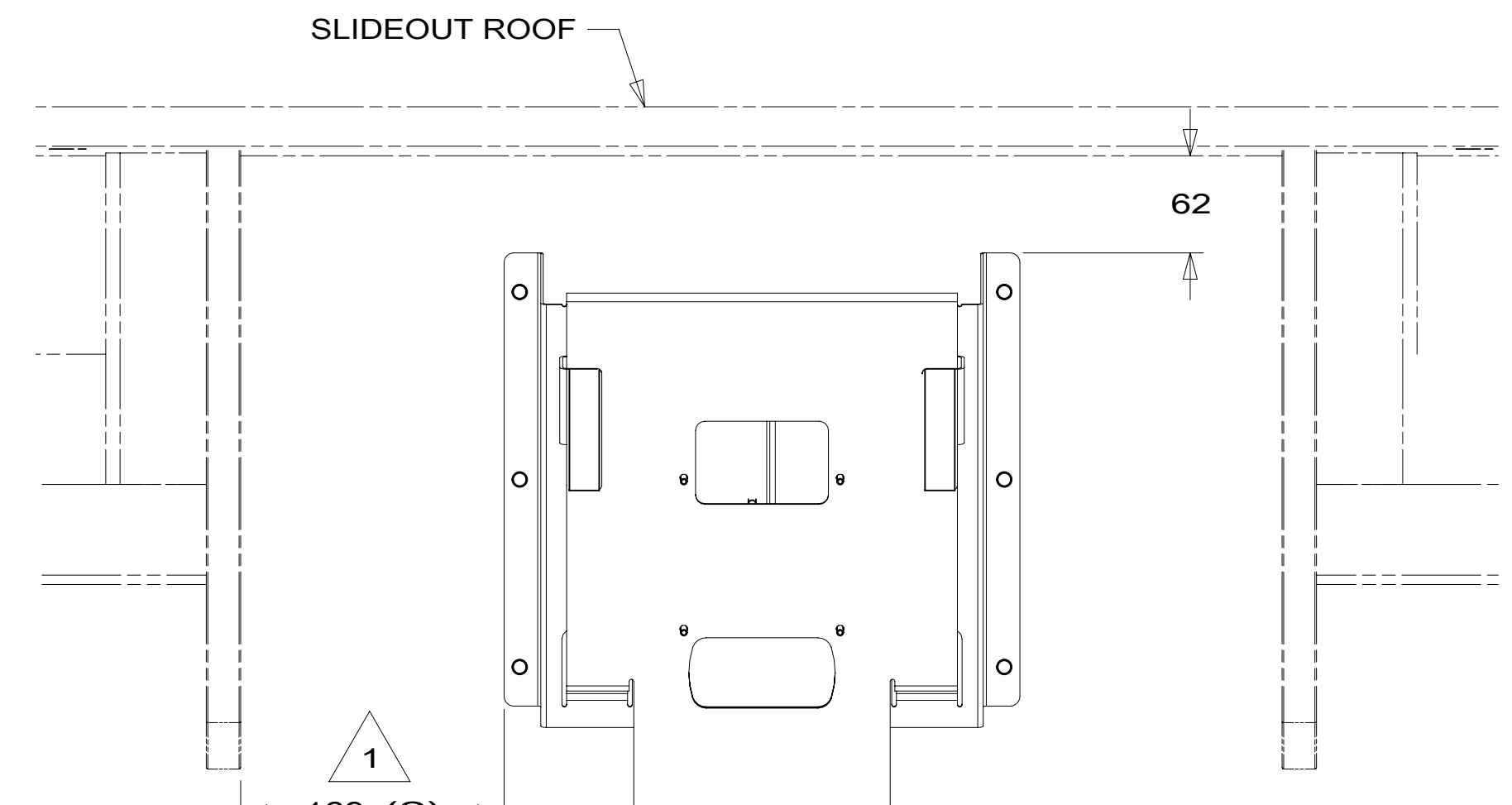
PLATE-MNTNG, TV, 32" INSIGNIA  
 000034780 / 317872-01-CHT  
 SCREW  
 OMG02U-04-012 (4)  
 WASHER-LOCK  
 OME02U-04-071 (4)  
 TAPE-FOAM, DBL COATED, 0.45X.75  
 076322-22-000 (80 MM) (2)  
 TAPE-FOAM, DBL COATED, 0.45X1.0  
 076322-23-000 (150 MM)

DVD PLAYER W/HDMI OUT  
 186774-01-000  
 BRACKET-DVD PLAYER  
 184814-03-CHT  
 SCREW  
 00067-10-12U (6)  
 FASTENER-DUAL LOCK  
 085774-01-000 (130 MM)  
 085774-02-000 (130 MM)

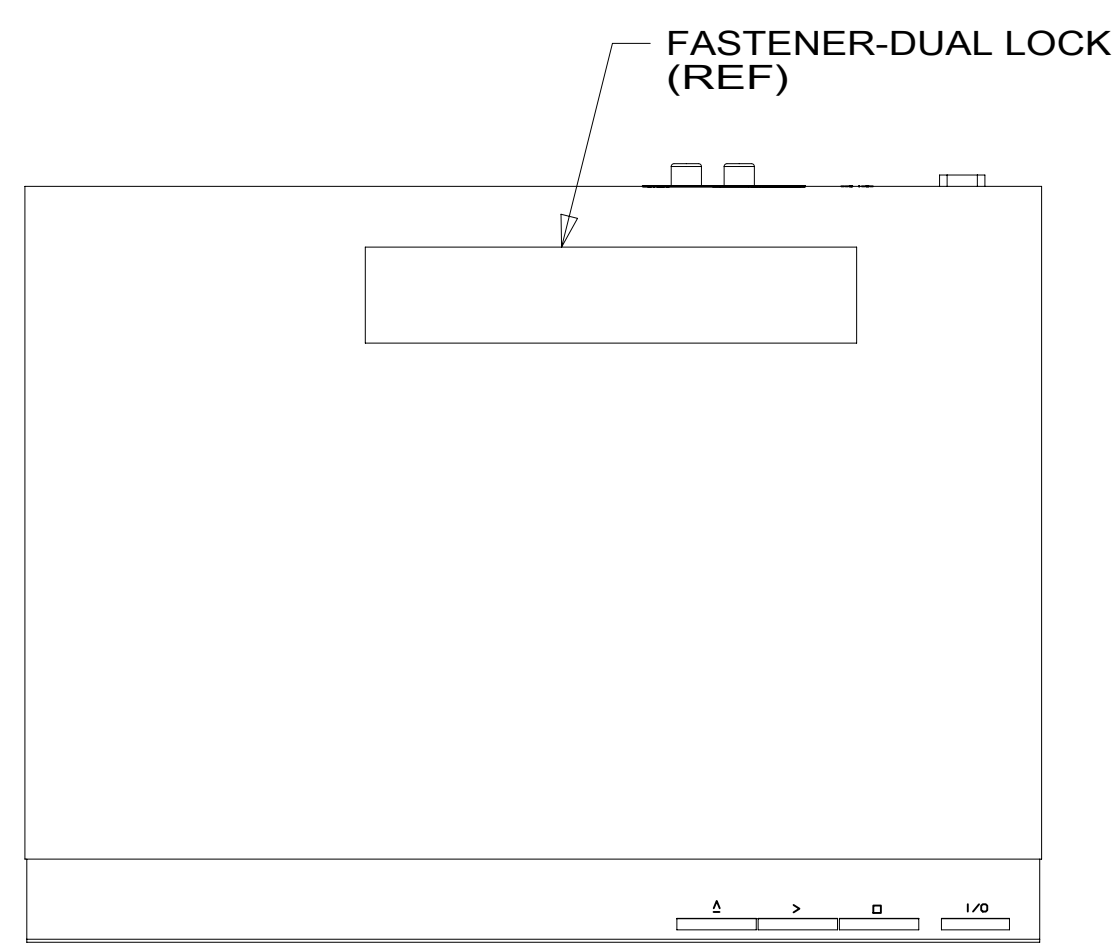


4 SPLITTER-HDMI  
 (REF)

TV-32" HDTV  
 000031285 / 316939-01-000



VIEW AA  
 (TV NOT SHOWN)



VIEW AB

- 68X TV - BEDROOM
- 682 TV - BUNK BEDS
- 68Y TV - MAIN
- 265 CODES/STANDARDS-CSA/CMVSS
- 1B1 CODES/STANDARDS USA

1B1 265 68Y

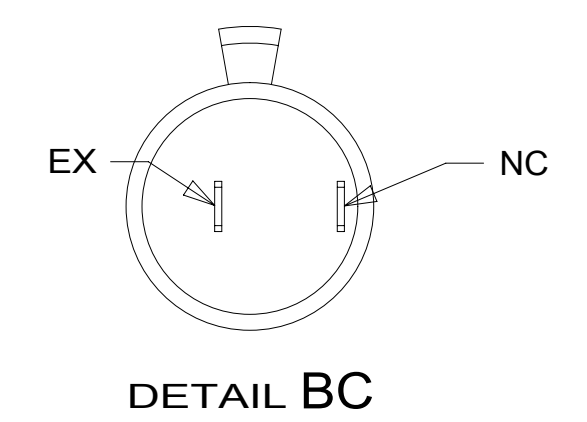
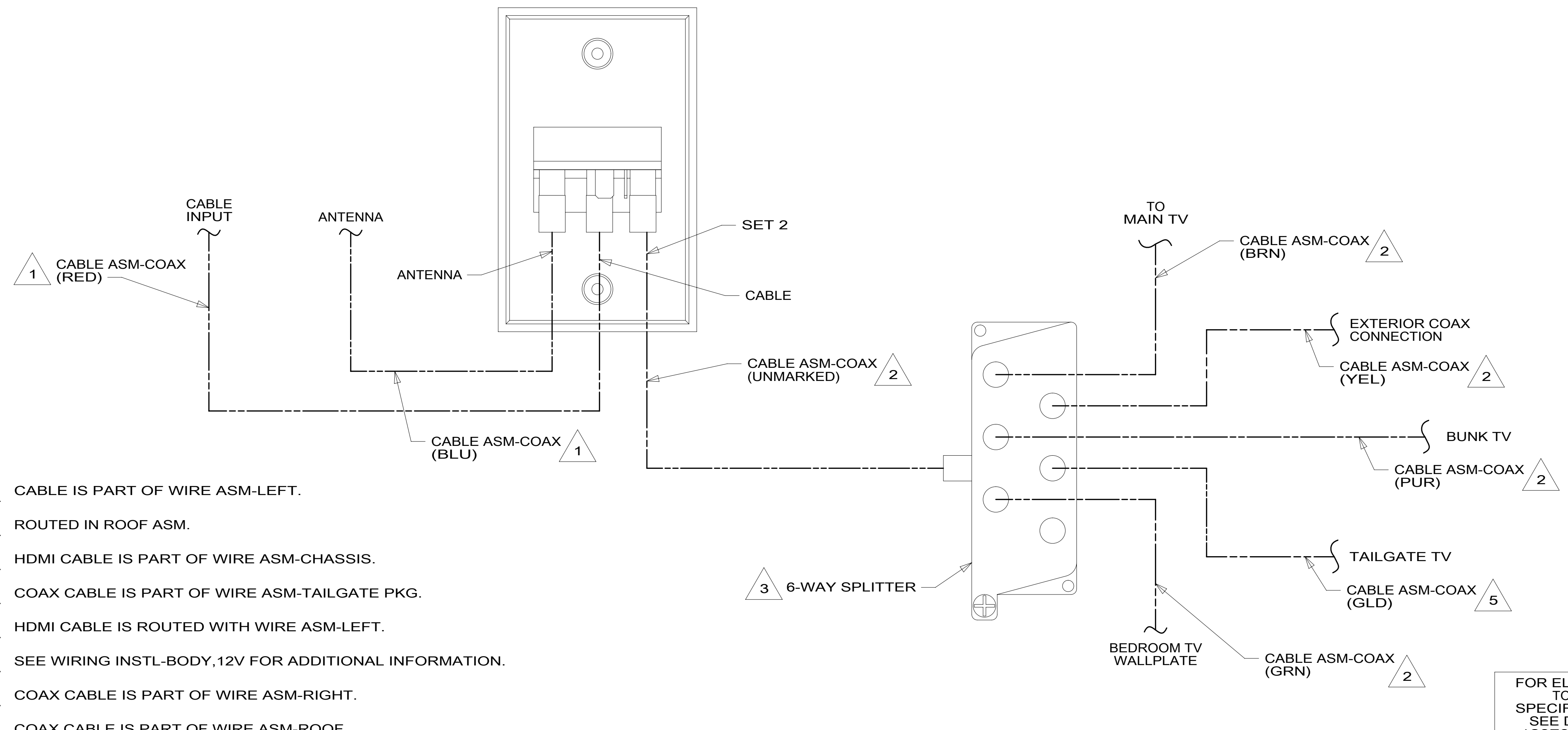
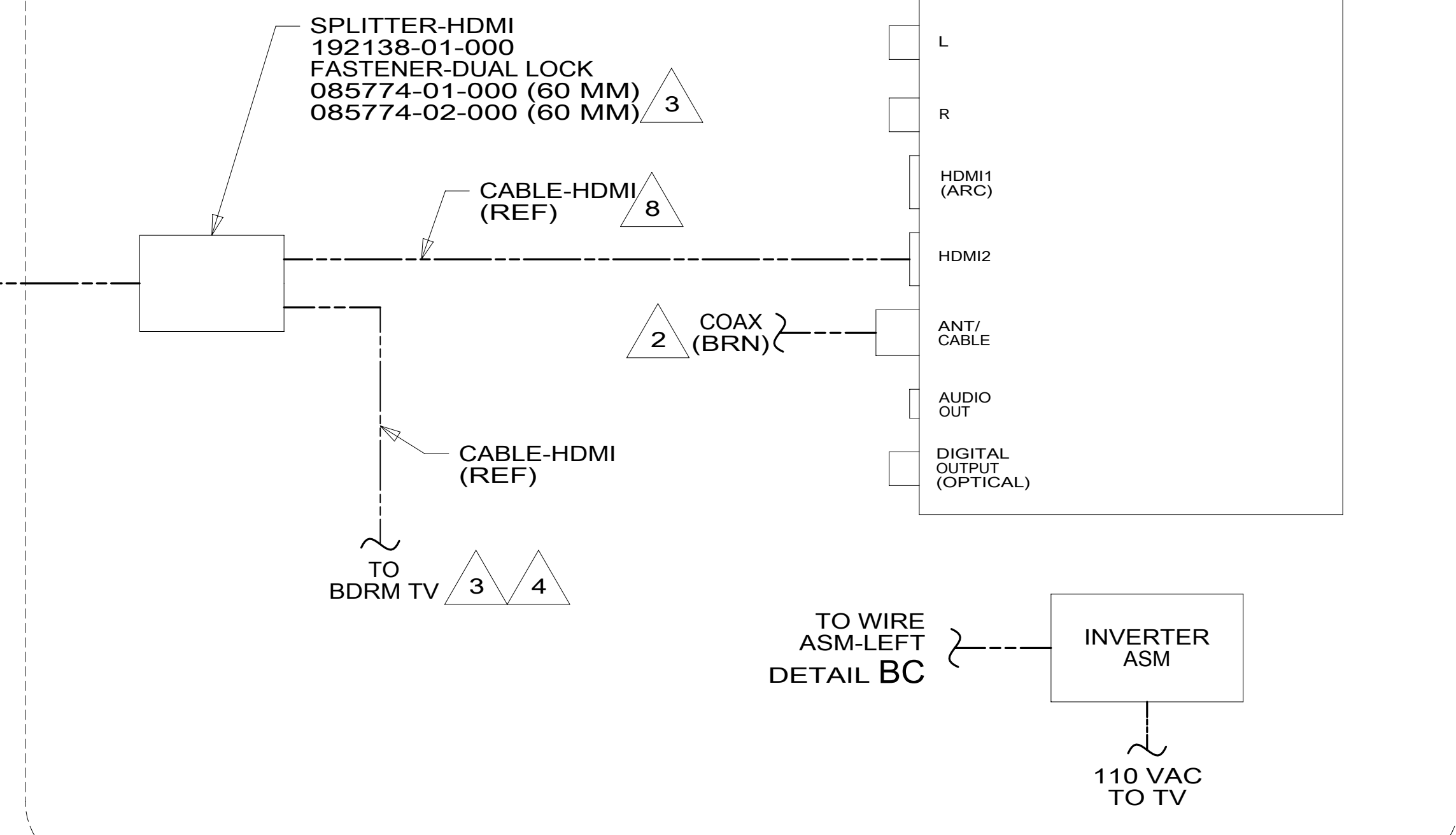
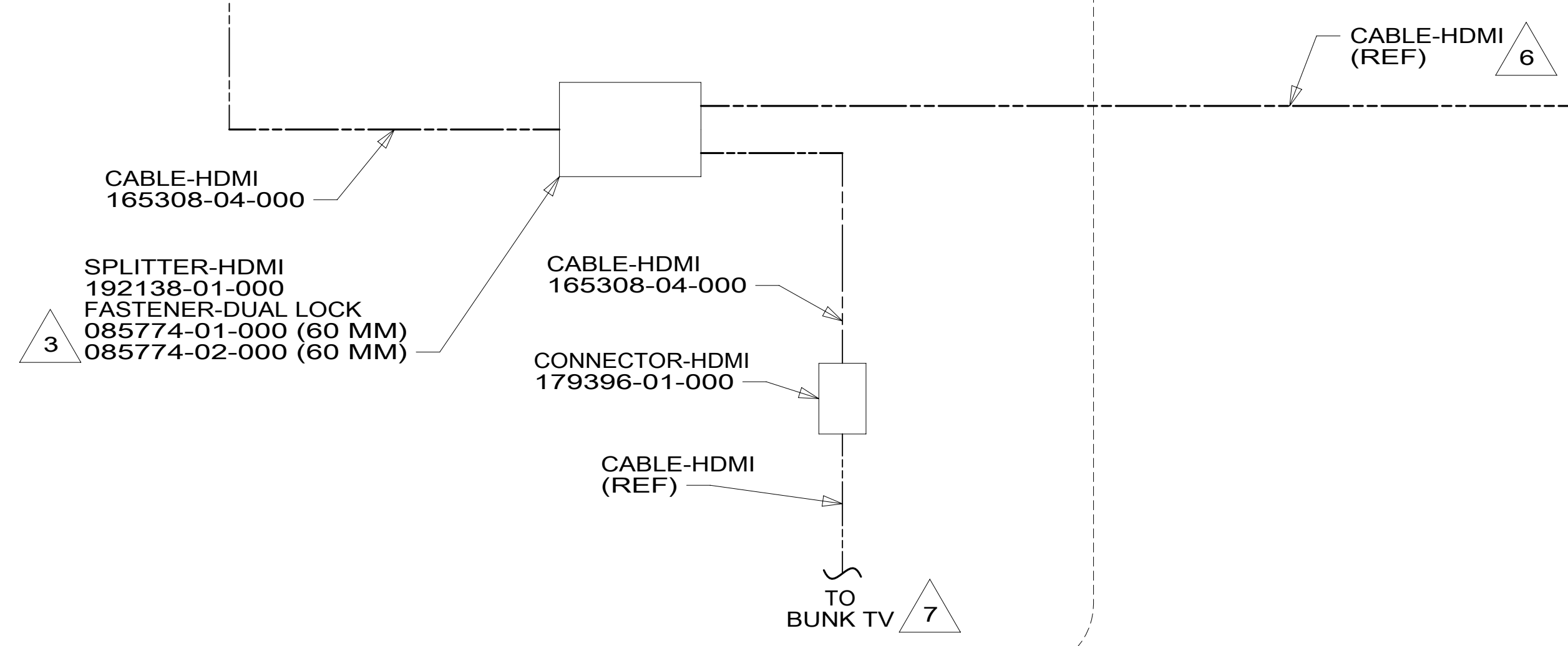
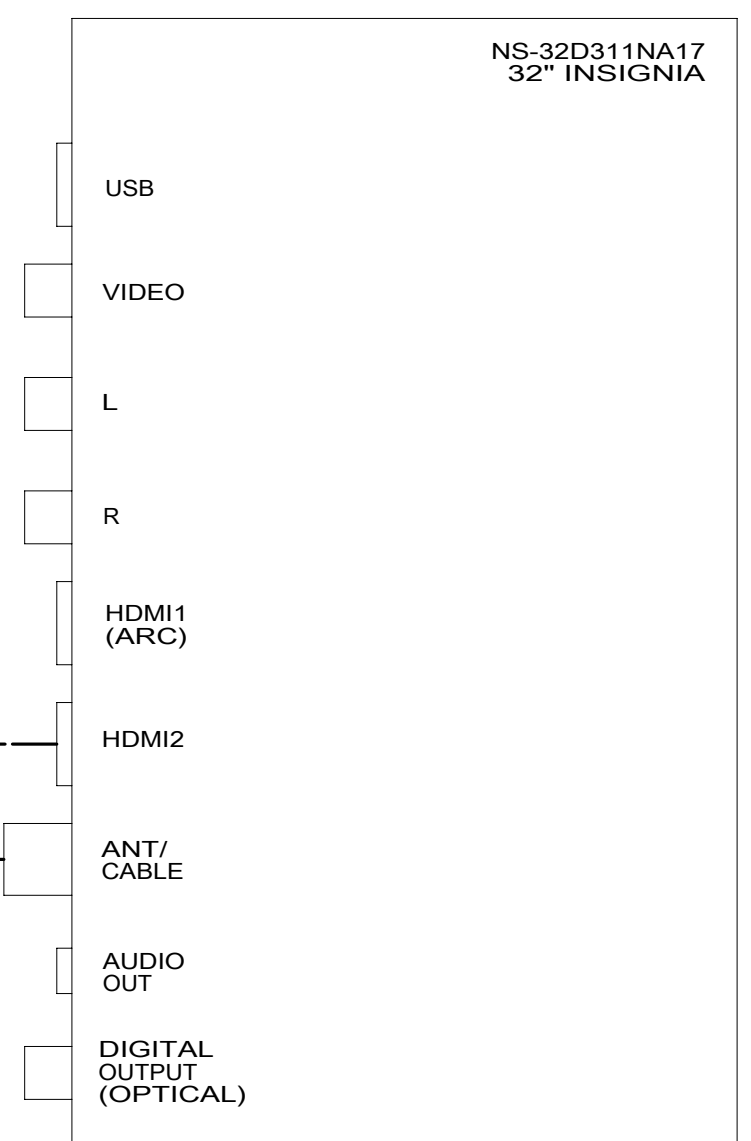
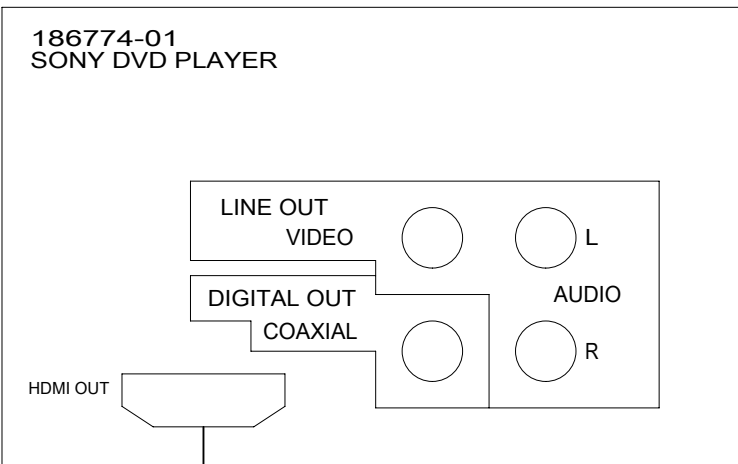
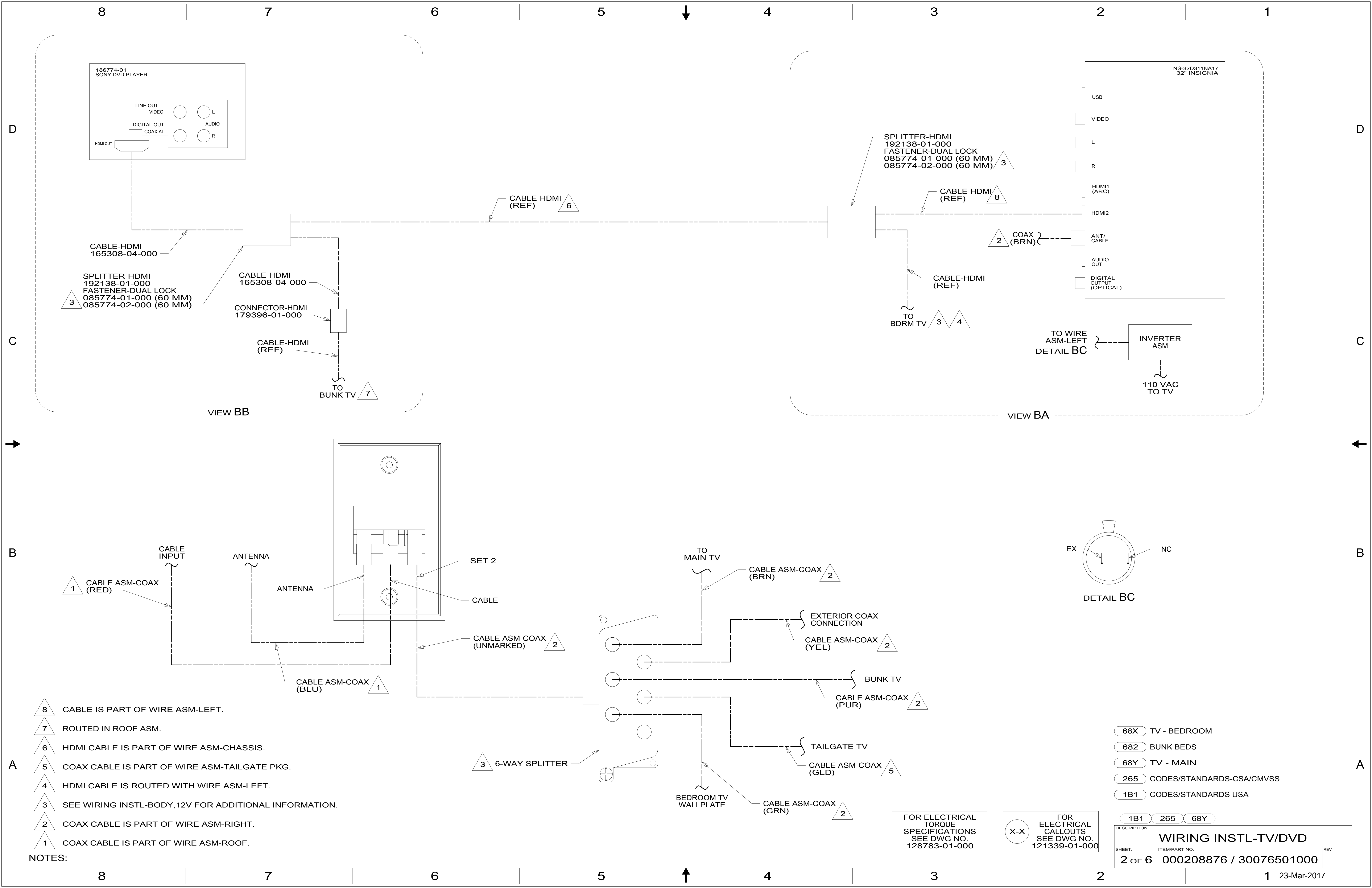


DSNR:		ALL DIMENSIONS ARE IN MILLIMETERS	
DIFFR:		MATERIAL:	
UNSPECIFIED TOLERANCES:		WEIGHT: (LBS)	FIRST USED:
WHOLE DIM (X) :	3		16 331G
ONE-PLACE (X.X) :	1.5		
TWO-PLACE (X.XX) :	0.50		
ANGLE :	1°		
REFER TO ES0018 FOR FASTENER TIGHTENING GUIDELINES			
DESCRIPTION: <b>WIRING INSTL-TV/DVD</b>			
SHEET:	ITEM/PART NO.:	REV:	
1 OF 6	000208876 / 30076501000		

- NOTES:
- 4 SEE SHEET 2 ZONE D4 FOR ADDITIONAL INFORMATION.
  - 3 PREP BOTH SURFACES WITH ADHISIVE-PROMOTER 87211-01-000.
  - 2 ATTACH FASTENER-DUAL LOCK TO DVD PLAYER POSITIONED AS SHOWN.
  - 1 MOUNT TV BRACKET CENTERED BETWEEN CABINETS.

FOR ELECTRICAL TORQUE SPECIFICATIONS SEE DWG NO. 128783-01-000

FOR ELECTRICAL CALLOUTS SEE DWG NO. 121339-01-000



- NOTES:
- 8 CABLE IS PART OF WIRE ASM-LEFT.
  - 7 ROUTED IN ROOF ASM.
  - 6 HDMI CABLE IS PART OF WIRE ASM-CHASSIS.
  - 5 COAX CABLE IS PART OF WIRE ASM-TAILGATE PKG.
  - 4 HDMI CABLE IS ROUTED WITH WIRE ASM-LEFT.
  - 3 SEE WIRING INSTL-BODY, 12V FOR ADDITIONAL INFORMATION.
  - 2 COAX CABLE IS PART OF WIRE ASM-RIGHT.
  - 1 COAX CABLE IS PART OF WIRE ASM-ROOF.

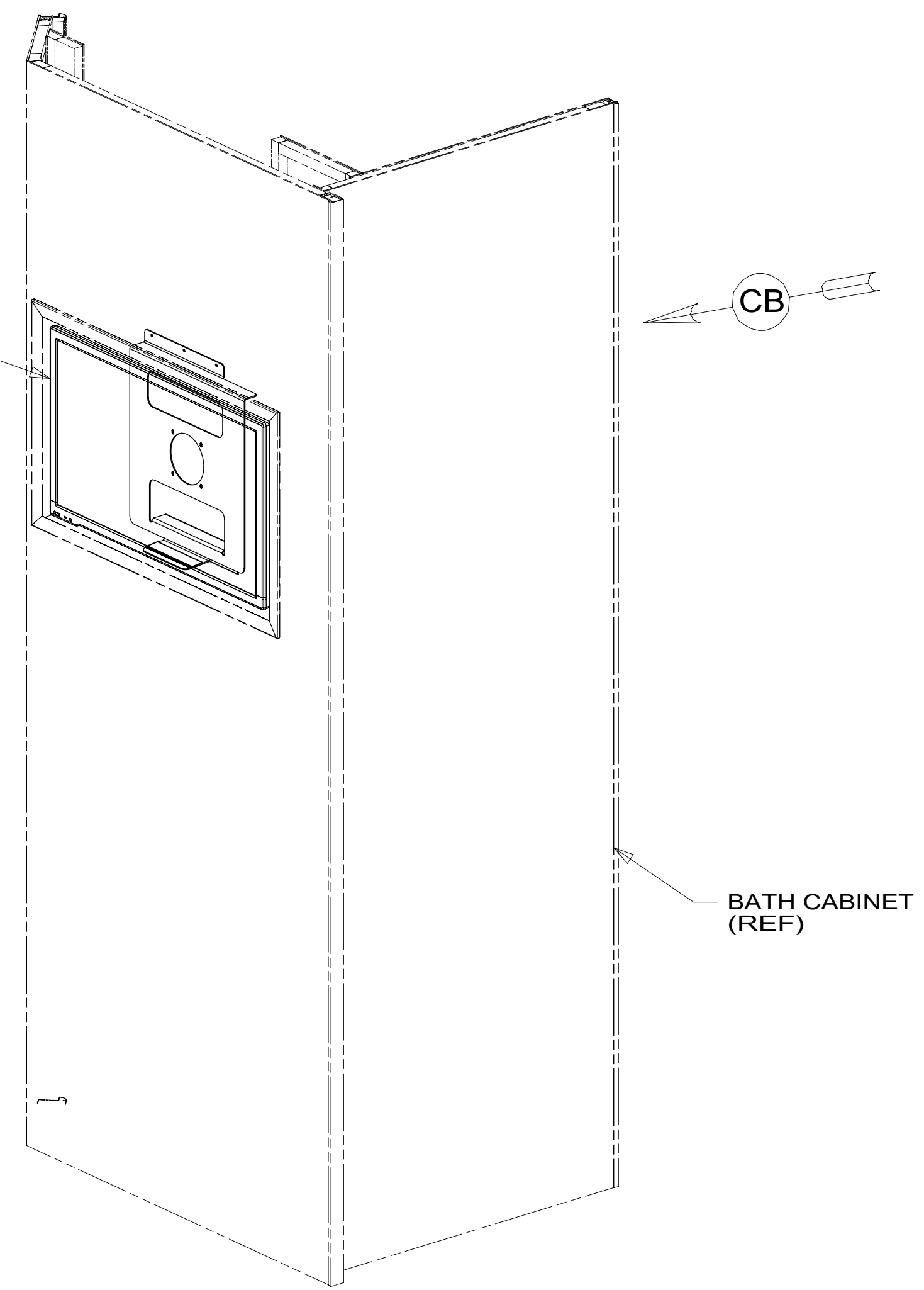
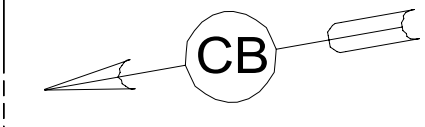
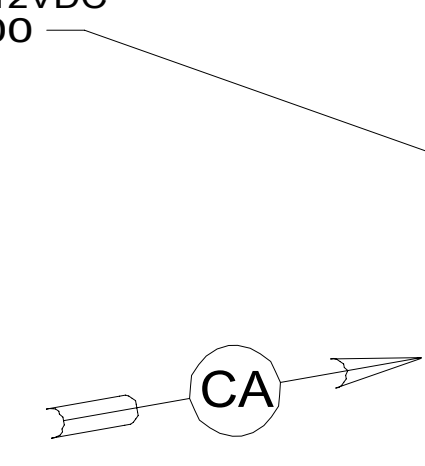
FOR ELECTRICAL TORQUE SPECIFICATIONS SEE DWG NO. 128783-01-000

FOR ELECTRICAL CALLOUTS SEE DWG NO. 121339-01-000

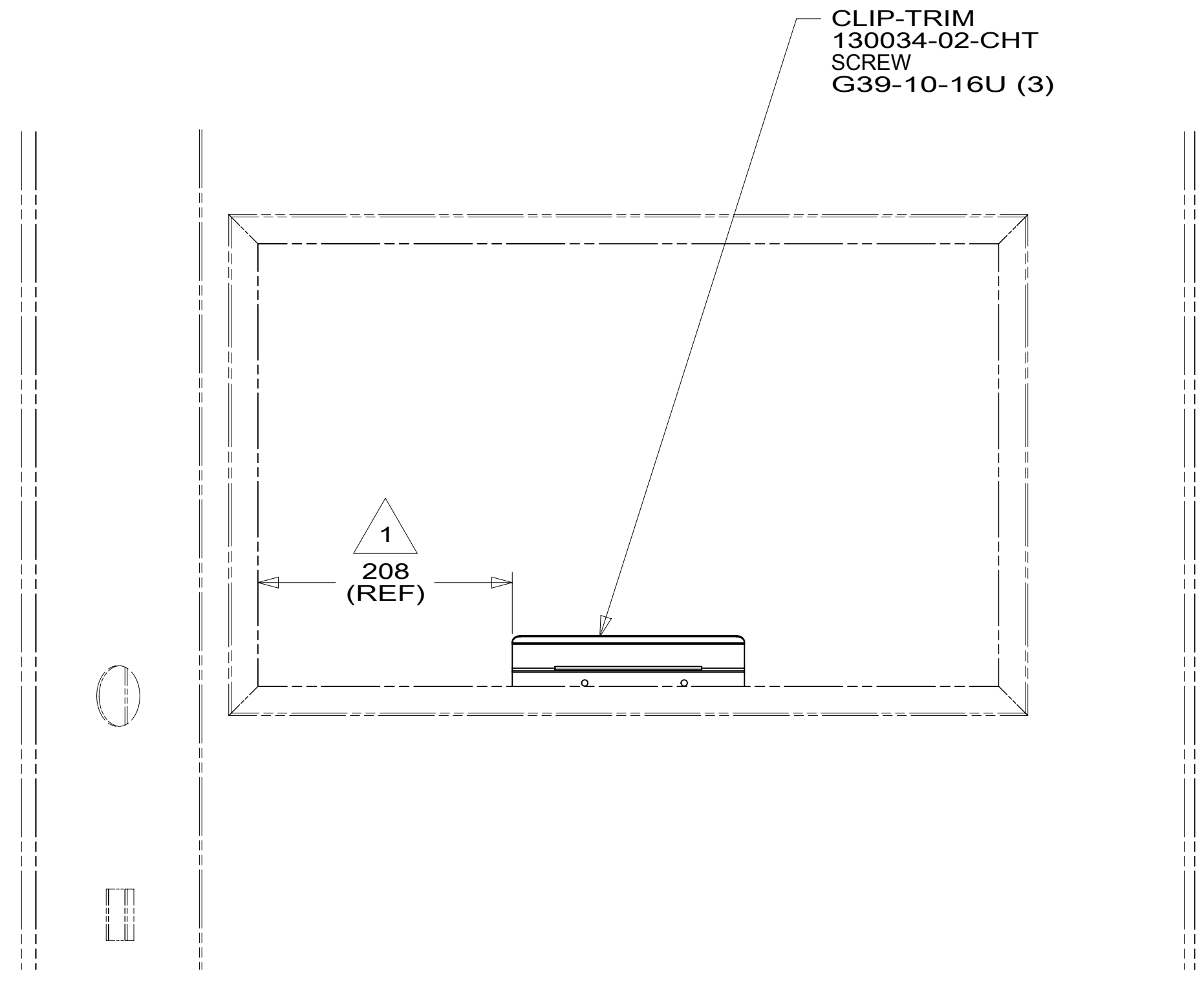
- 68X TV - BEDROOM
- 682 BUNK BEDS
- 68Y TV - MAIN
- 265 CODES/STANDARDS-CSA/CMVSS
- 1B1 CODES/STANDARDS USA

DESCRIPTION:	1B1 265 68Y	
<b>WIRING INSTL-TV/DVD</b>		
SHEET:	ITEM/PART NO.:	REV:
2 OF 6	000208876 / 30076501000	

TV-24" HDTV, 12 VDC  
 000031269 / 316937-01-000  
 SCREW  
 (SUPPLIED W/TV)  
 PLATE-MOUNTING  
 000032993 / 317366-01-CHT  
 TAPE-FOAM, DBL COATED, 0.45X1.0  
 076322-23-000 (120 MM)  
 SCREW  
 G39-10-16U (3)  
 CORD-POWER, 12VDC  
 191991-01-000



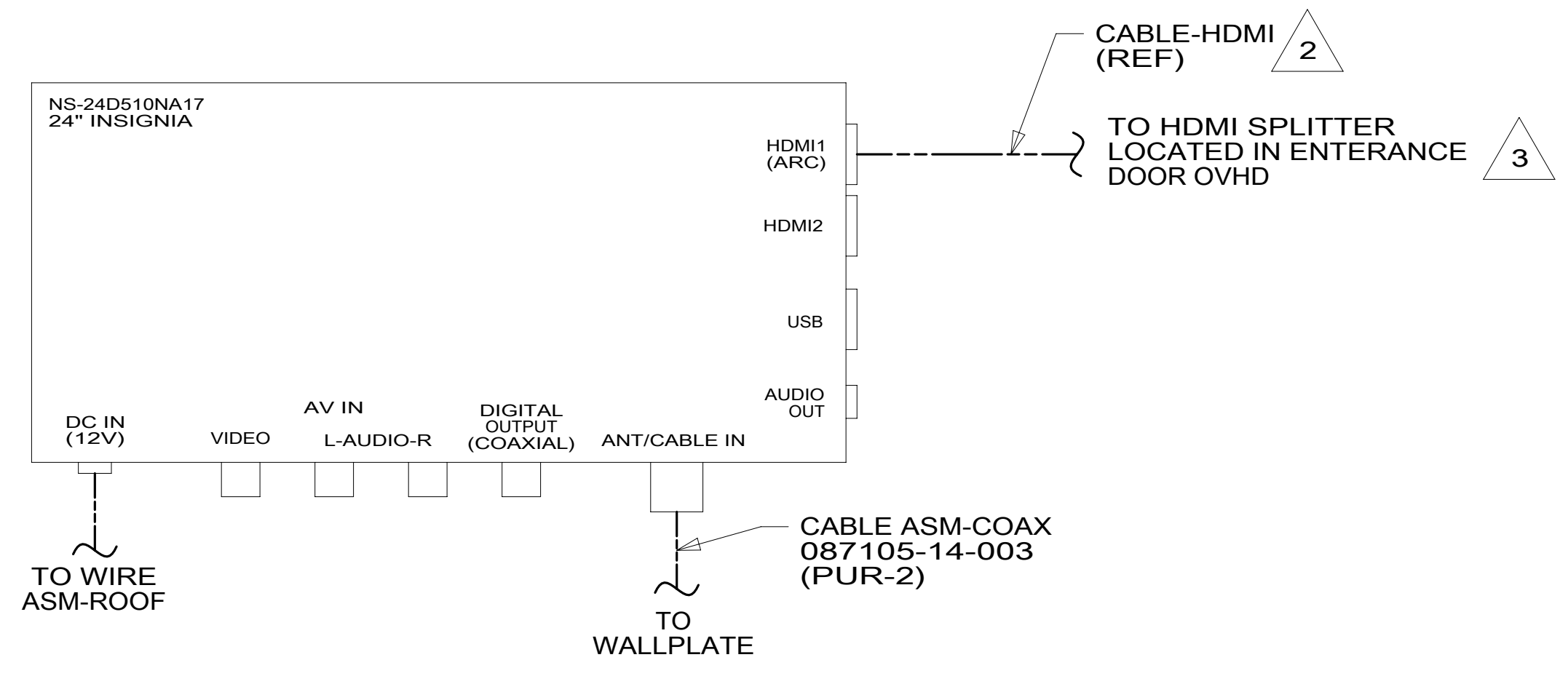
BATH CABINET  
(REF)



CLIP-TRIM  
 130034-02-CHT  
 SCREW  
 G39-10-16U (3)

1  
 208  
 (REF)

VIEW CA  
(TV NOT SHOWN)



NS-24DS10NA17  
 24" INSIGNIA

HDMI1 (ARC)  
 HDMI2  
 USB  
 AUDIO OUT

DC IN (12V)  
 VIDEO  
 AV IN  
 L-AUDIO-R  
 DIGITAL OUTPUT (COAXIAL)  
 ANT/CABLE IN

CABLE-HDMI (REF) 2

TO HDMI SPLITTER  
 LOCATED IN ENTERANCE  
 DOOR OVHD 3

CABLE ASM-COAX  
 087105-14-003  
 (PUR-2)

VIEW CB

- NOTES:
- 3 SEE SHEET 2 ZONE D4 FOR ADDITIONAL INFORMATION.
  - 2 SEE ROOF ASM FOR ADDITIONAL INFORMATION.
  - 1 MOUNT CLIP SETTING ON BOTTOM OF ENCLOSURE AND CENTERED LEFT TO RIGHT.

FOR ELECTRICAL  
 TORQUE  
 SPECIFICATIONS  
 SEE DWG NO.  
 128783-01-000

FOR ELECTRICAL  
 CALLOUTS  
 SEE DWG NO.  
 121339-01-000

- 682 TV - BUNK BEDS
- 265 CODES/STANDARDS-CSA/CMVSS
- 1B1 CODES/STANDARDS USA

DESCRIPTION: <b>WIRING INSTL-TV/DVD</b>		
SHEET: <b>3 OF 6</b>	ITEM/PART NO: <b>000208876 / 30076501000</b>	REV

8 7 6 5 4 3 2 1

D

C

B

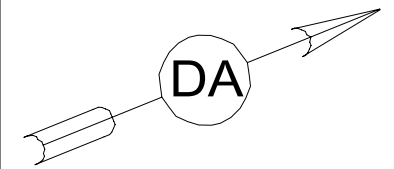
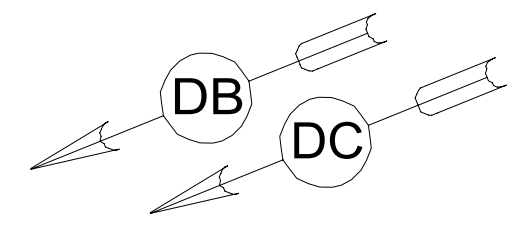
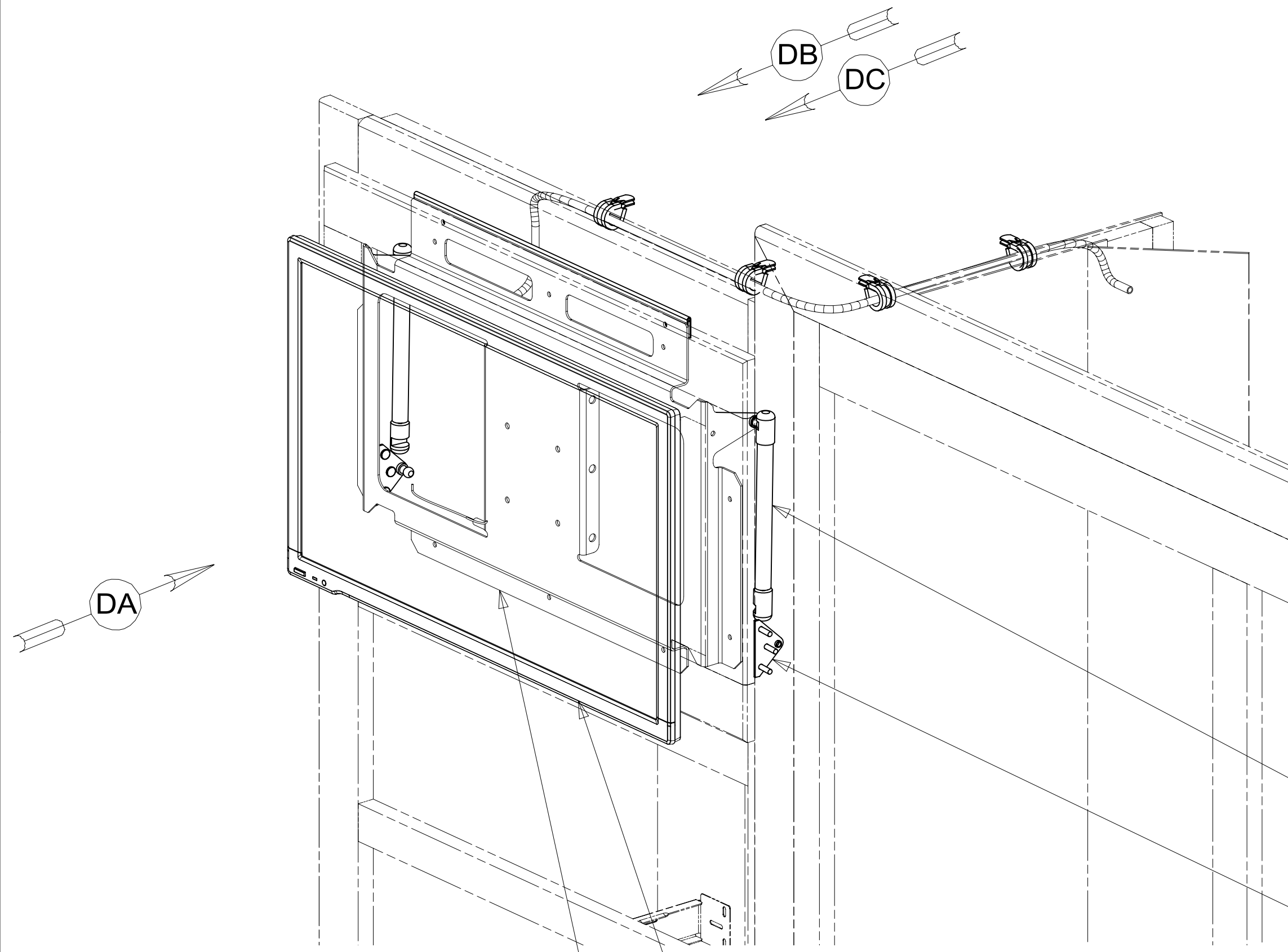
A

D

C

B

A

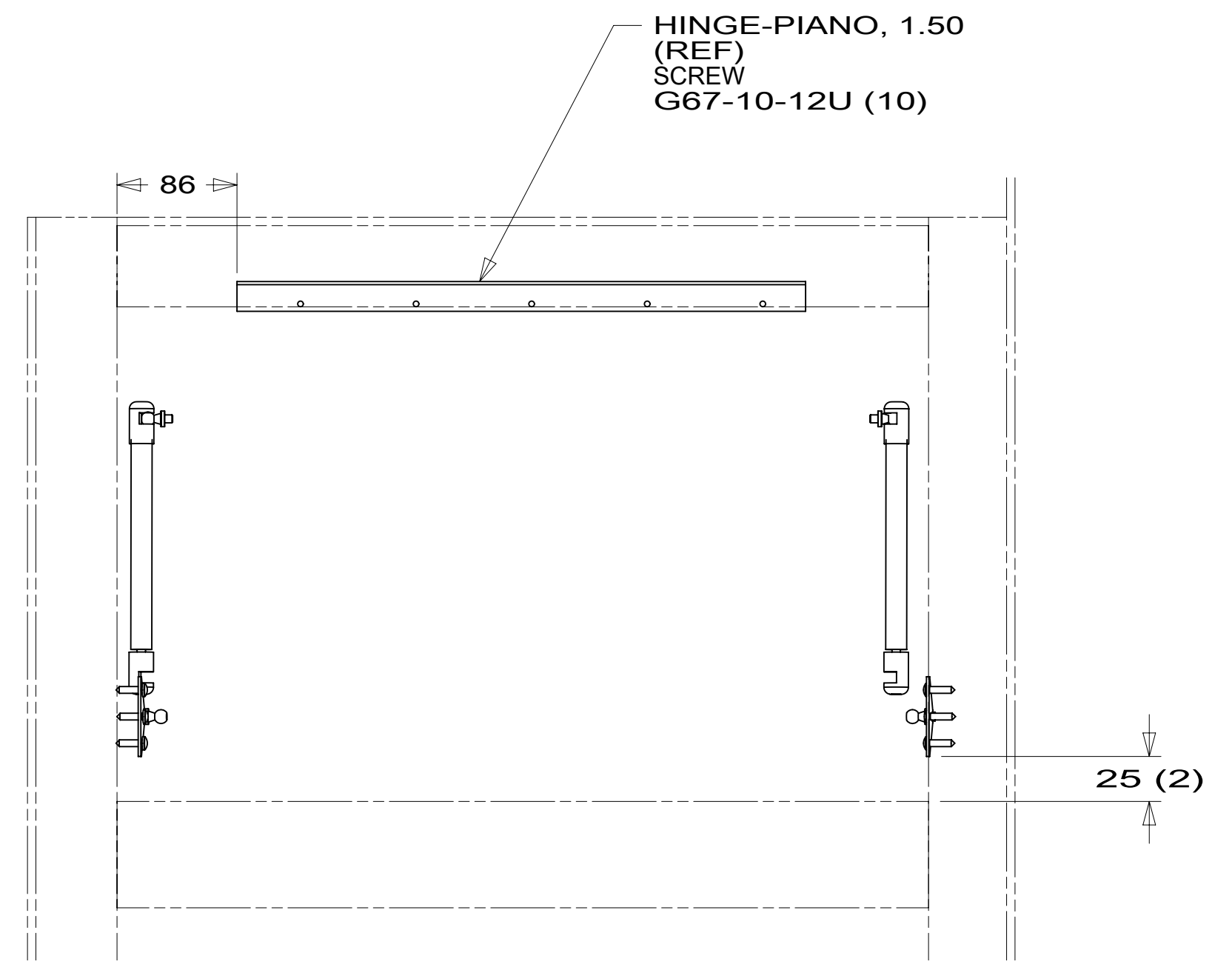


TV-24" HDTV, 12 VDC  
000031269 / 316937-01-000  
SCREW (VESA MOUNT)  
0MG02U-06-010 (4)  
SCREW (LOWER MOUNT)  
SUPPLIED WITH TV  
CORD-POWER,12VDC  
191991-01-000

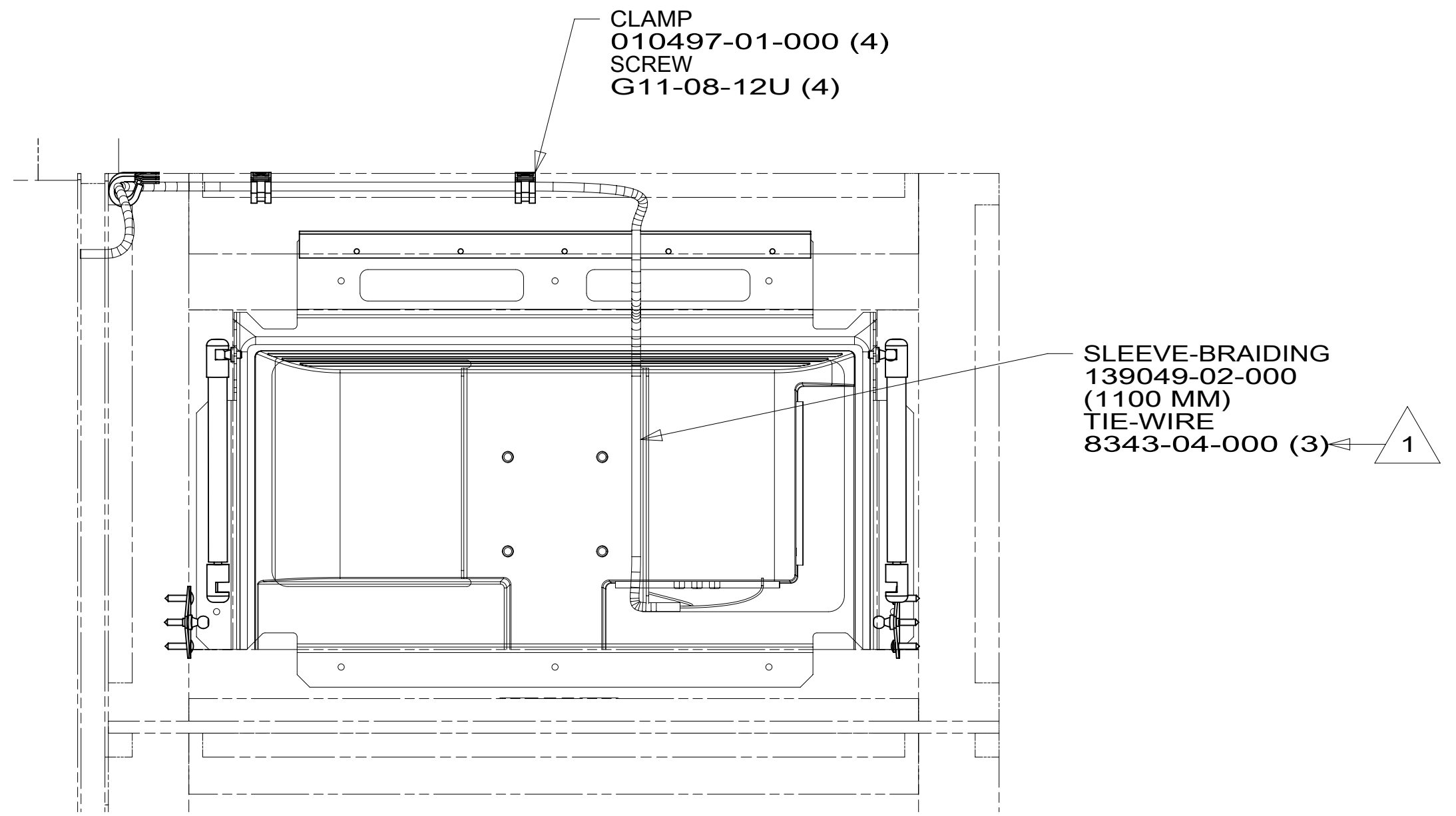
BRACKET ASM-MOUNT,TV  
187224-05-CHT  
SCREW  
G67-10-12U (6)

SPRING-GAS  
142569-31-000 (2)

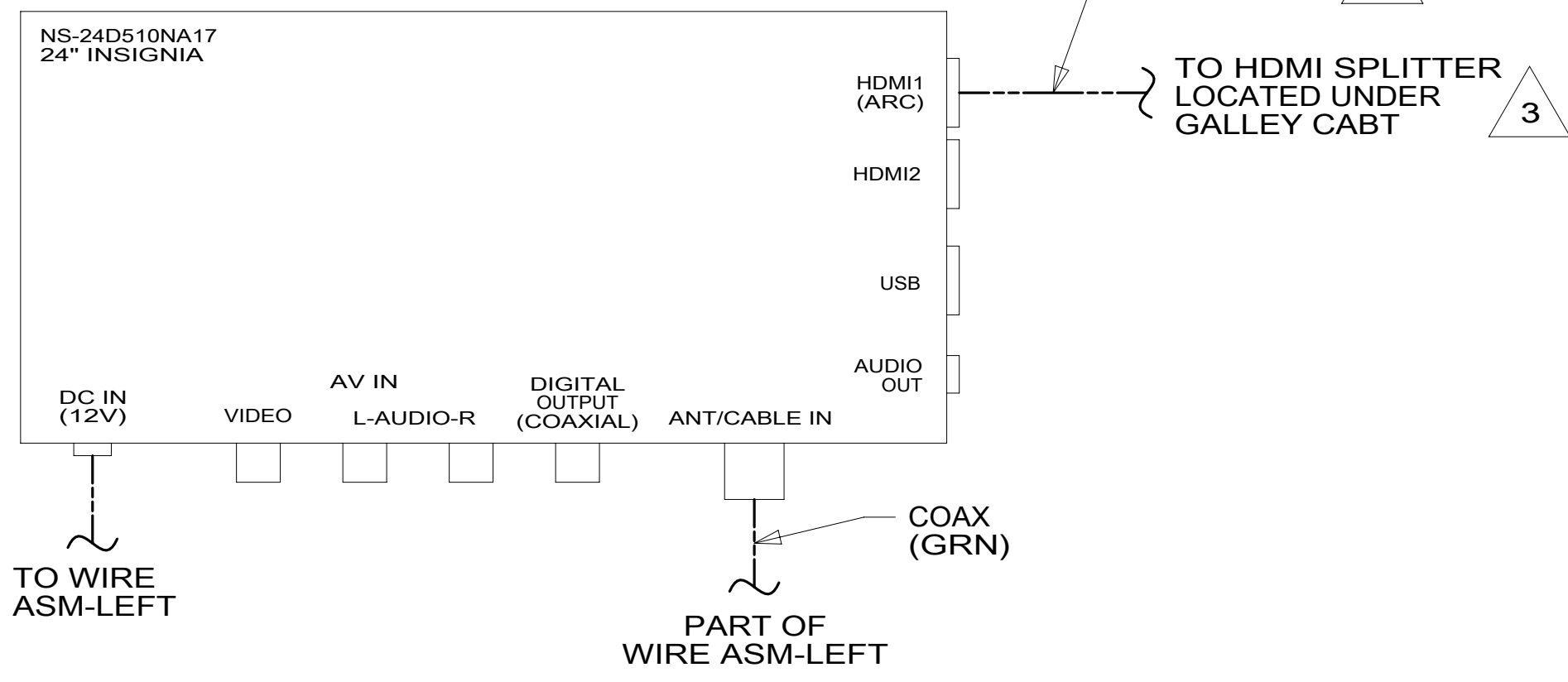
BRACKET-GAS SPRING  
126263-15-CHT (2)  
SCREW  
G67-10-12U (6)



VIEW DA  
(TV NOT SHOWN)



VIEW DC



VIEW DB

- NOTES:
- 3 SEE SHEET 2 ZONE D6 FOR ADDITIONAL INFORMATION.
  - 2 SEE WIRING INSTL-BODY,12V FOR ADDITIONAL INFORMATION.
  - 1 ATTACH WIRE ASM TO HOLES IN BRACKET.

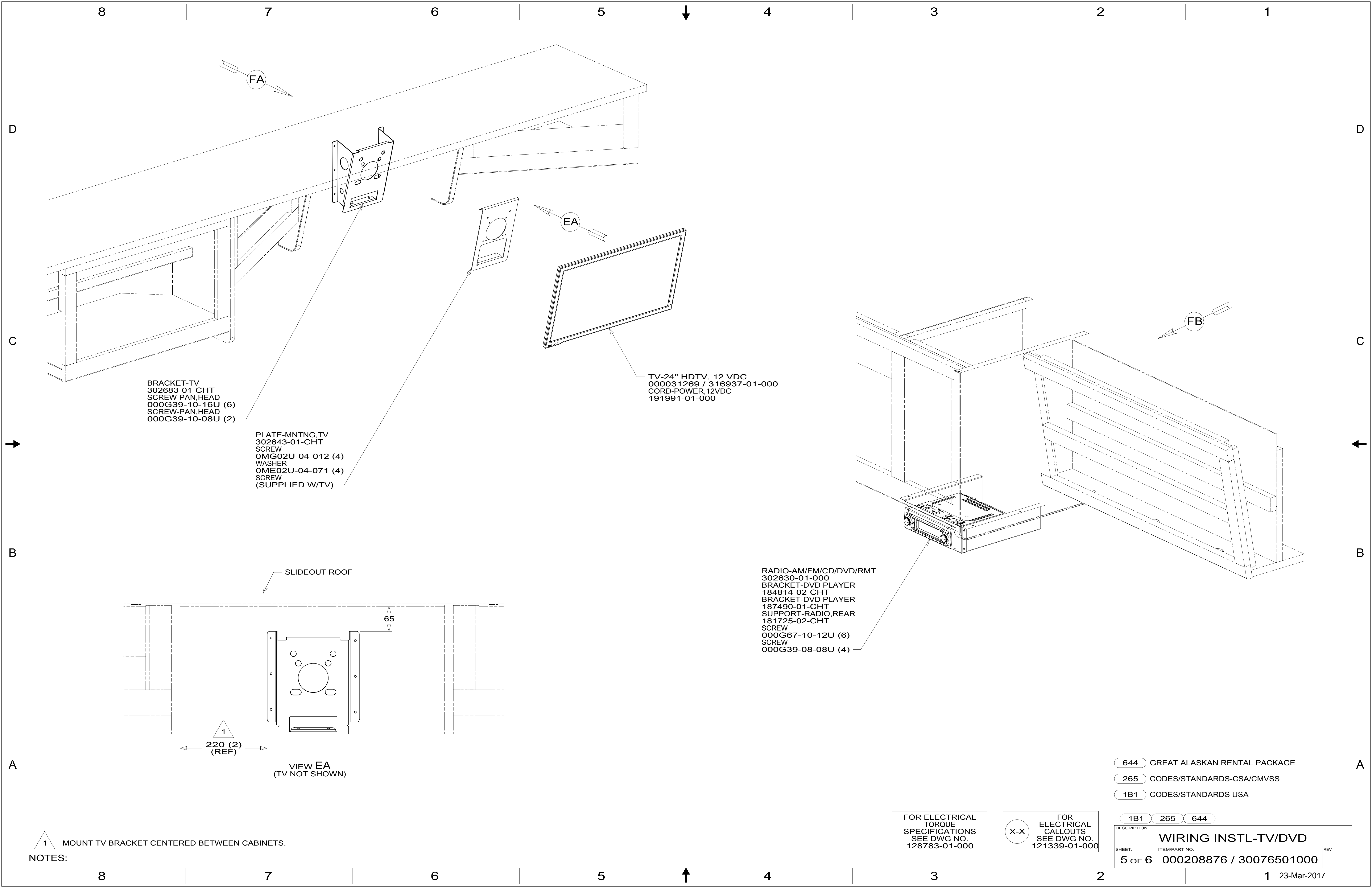
FOR ELECTRICAL TORQUE SPECIFICATIONS SEE DWG NO. 128783-01-000

FOR ELECTRICAL CALLOUTS SEE DWG NO. 121339-01-000

- 68X TV - BEDROOM
- 265 CODES/STANDARDS-CSA/CMVSS
- 1B1 CODES/STANDARDS USA

DESCRIPTION: <b>WIRING INSTL-TV/DVD</b>		
SHEET: 4 OF 6	ITEM/PART NO: 000208876 / 30076501000	REV

8 7 6 5 4 3 2 1 23-Mar-2017



BRACKET-TV  
302683-01-CHT  
SCREW-PAN,HEAD  
000G39-10-16U (6)  
SCREW-PAN,HEAD  
000G39-10-08U (2)

PLATE-MNTNG.TV  
302643-01-CHT  
SCREW  
OMG02U-04-012 (4)  
WASHER  
OME02U-04-071 (4)  
SCREW  
(SUPPLIED W/TV)

TV-24" HDTV, 12 VDC  
000031269 / 316937-01-000  
CORD-POWER,12VDC  
191991-01-000

RADIO-AM/FM/CD/DVD/RMT  
302630-01-000  
BRACKET-DVD PLAYER  
184814-02-CHT  
BRACKET-DVD PLAYER  
187490-01-CHT  
SUPPORT-RADIO,REAR  
181725-02-CHT  
SCREW  
000G67-10-12U (6)  
SCREW  
000G39-08-08U (4)

SLIDEOUT ROOF

65

1  
220 (2)  
(REF)

VIEW EA  
(TV NOT SHOWN)

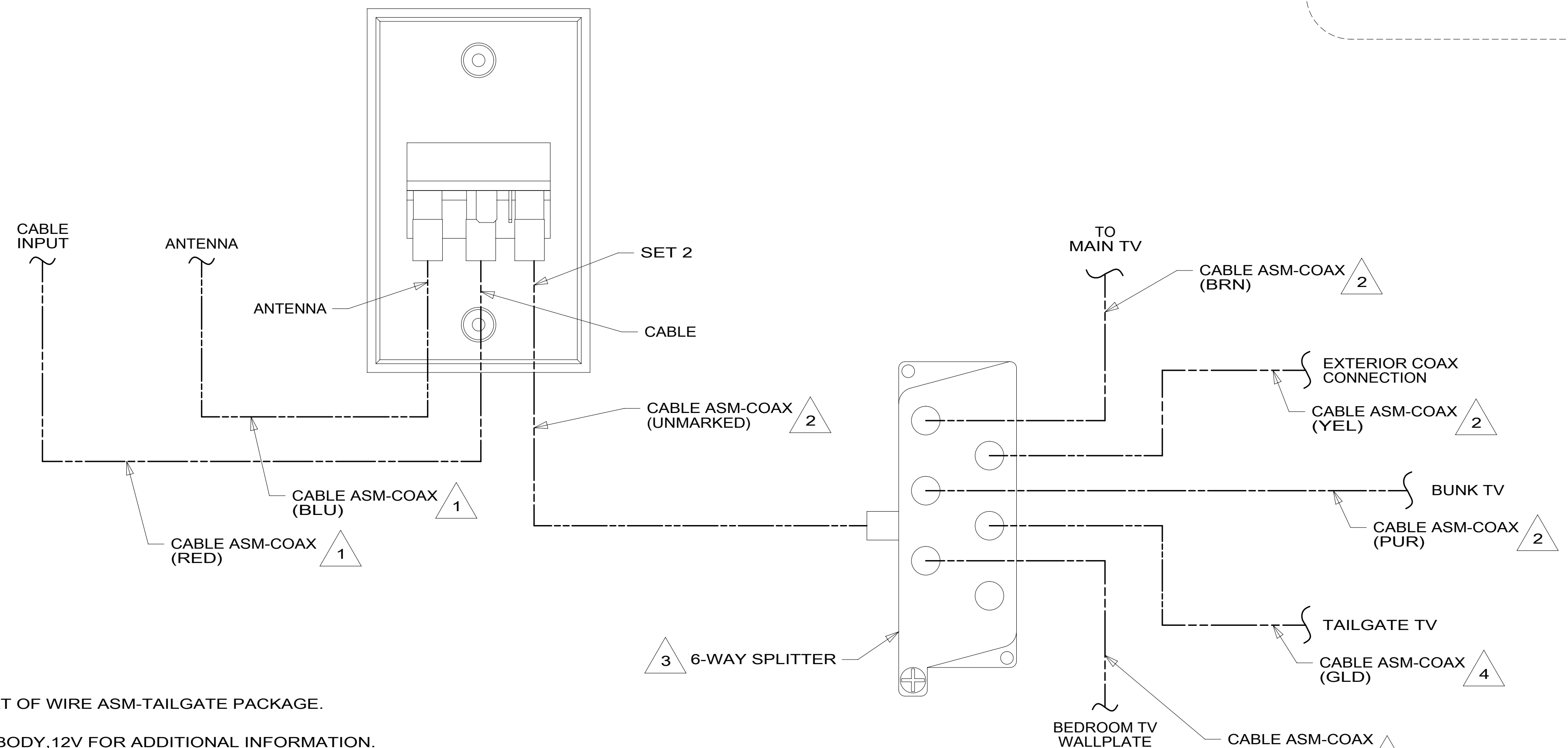
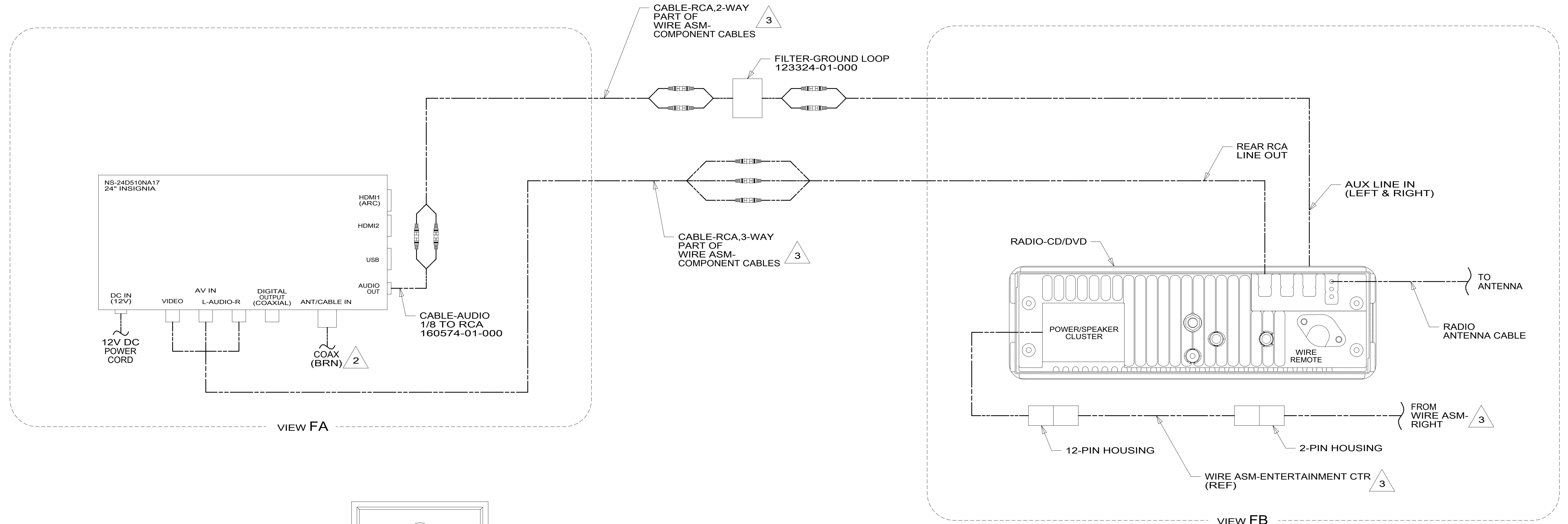
- 644 GREAT ALASKAN RENTAL PACKAGE
- 265 CODES/STANDARDS-CSA/CMVSS
- 1B1 CODES/STANDARDS USA

FOR ELECTRICAL  
TORQUE  
SPECIFICATIONS  
SEE DWG NO.  
128783-01-000

FOR  
ELECTRICAL  
CALLOUTS  
SEE DWG NO.  
121339-01-000

DESCRIPTION:	1B1 265 644	
<b>WIRING INSTL-TV/DVD</b>		
SHEET:	ITEM/PART NO:	REV
5 OF 6	000208876 / 30076501000	

NOTES:  
1 MOUNT TV BRACKET CENTERED BETWEEN CABINETS.



- NOTES:
- 4 COAX CABLE IS PART OF WIRE ASM-TAILGATE PACKAGE.
  - 3 SEE WIRING INSTL-BODY, 12V FOR ADDITIONAL INFORMATION.
  - 2 COAX CABLE IS PART OF WIRE ASM-RIGHT.
  - 1 COAX CABLE IS PART OF WIRE ASM-ROOF.

FOR ELECTRICAL TORQUE SPECIFICATIONS SEE DWG NO. 128783-01-000

FOR ELECTRICAL CALLOUTS SEE DWG NO. 121339-01-000

- 644 GREAT ALASKAN RENTAL PACKAGE
- 265 CODES/STANDARDS-CSA/CMVSS
- 1B1 CODES/STANDARDS USA

DESCRIPTION: <b>WIRING INSTL-TV/DVD</b>		
SHEET: <b>6 OF 6</b>	ITEM/PART NO: <b>000208876 / 30076501000</b>	REV