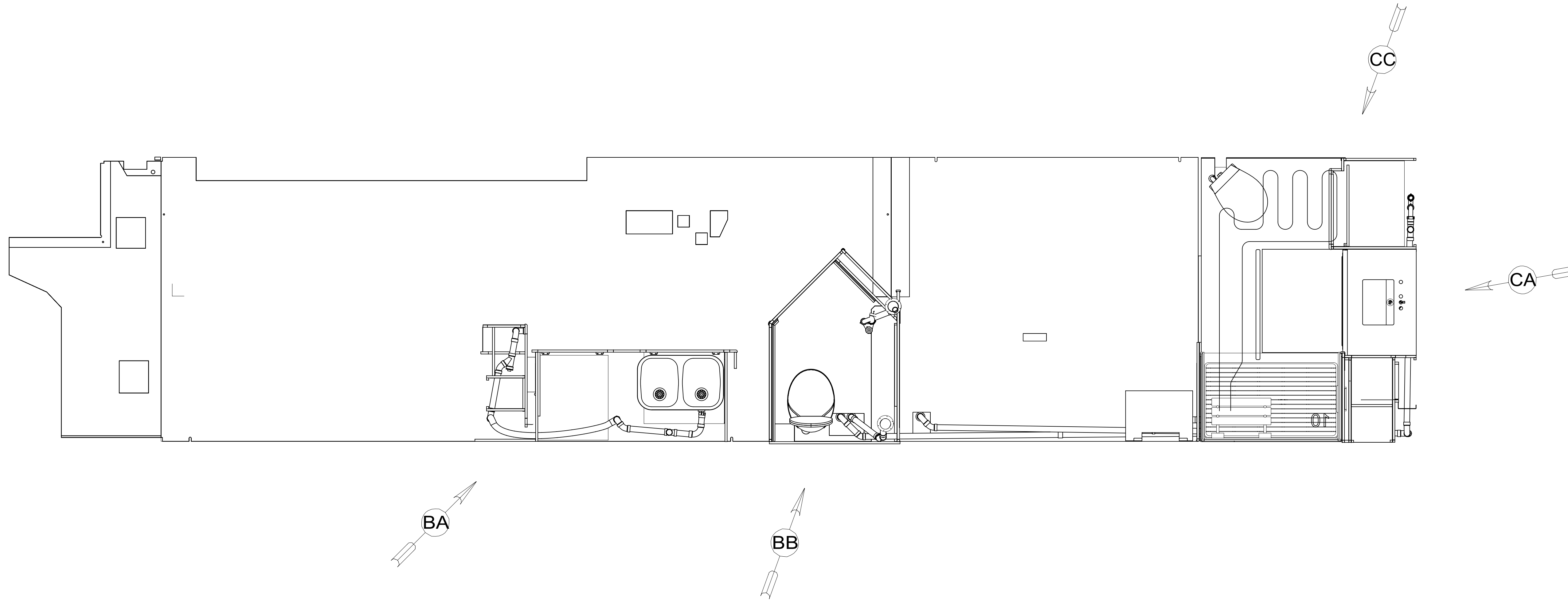


REV	ZONE	REVISION RECORD	DATE	DFTR-ORIG
A	---	INITIAL RELEASE	XX/XX/XX	1600-7381
B	SHT3	REMOVED UNNEEDED PARTS	12/21/16	3650-6073



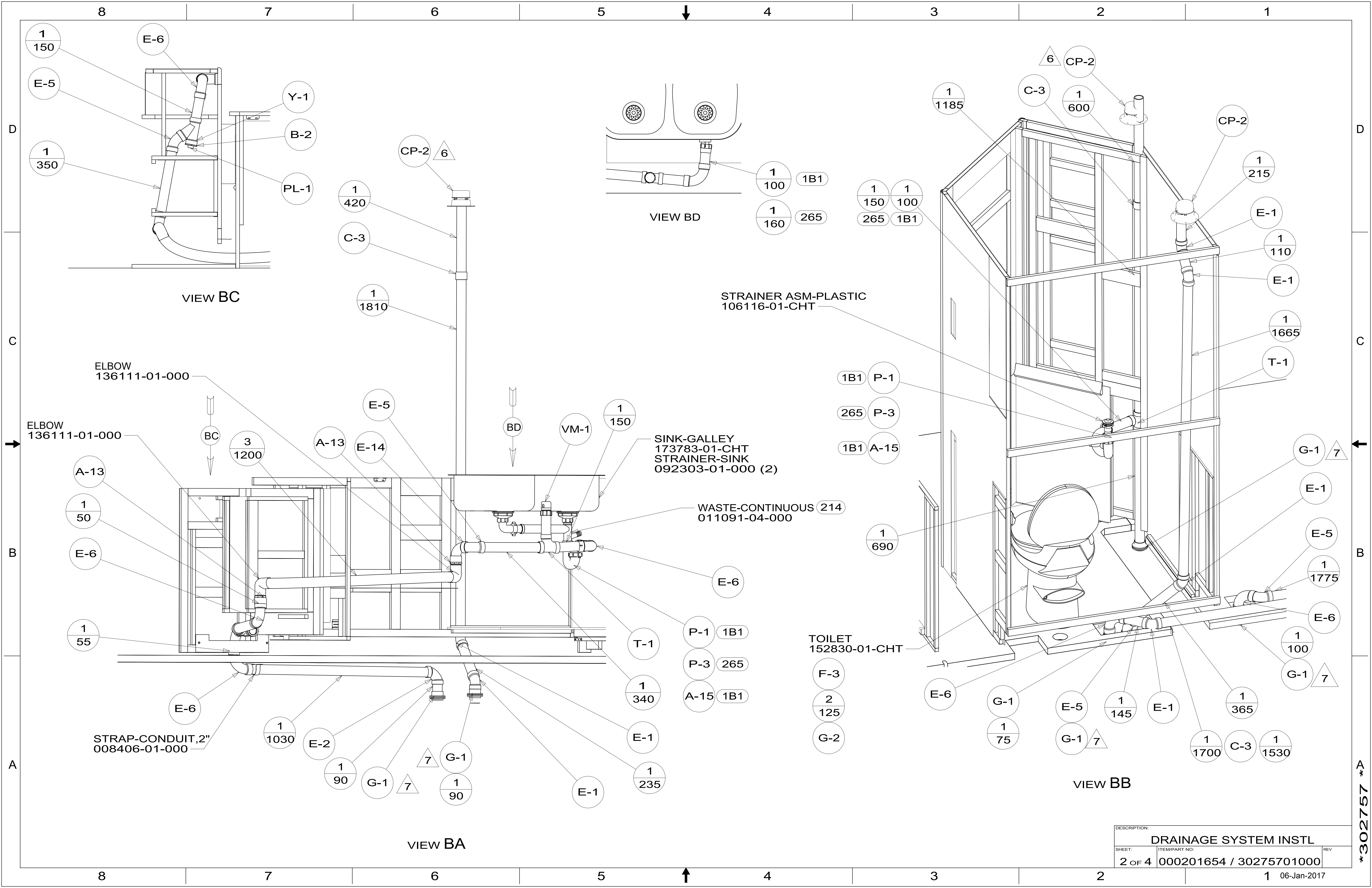
- 9PC TAILGATE PACKAGE
- 9PA TAILGATE PACKAGE WITHOUT
- 21S WASHER/DRYER STACKED
- 1B1 CODES/STANDARDS USA
- 265 CODES/STDS-CSA,CMVSS
- 54E WASHER DRYER
- 21M WASHER/DRYER PREP
- 214 DISHWASHER DRAWER STYLE

- 10. APPLY PRIMER 126427-02-000 AND CEMENT 126427-01-000 BETWEEN ELBOW AND FLEX PIPE.
- 9. SEE DRAWING 061607 FOR INSTALLATION OF GROMMETS.
- 8. SECURE DRAINAGE PIPES TO CABINET USING WIRE TIE 108046-02-000, AND SCREW 000G67-10-12U AT INTERVALS OF NOT OF NOT MORE THAN 4 FEET APART.
- 7. SECURE VENT PIPE TO GROMMET WITH CLAMP 062401-02-000.
- 6. VENT PIPE MUST PROJECT 51 MIN AND 64 MAX ABOVE ROOF FOR PROPER FIT AND FUNCTION. ADD S-1 (116666-01-CHT SEAL-VENT PIPE) AROUND PIPE ON ROOF BEFORE VENT CAP IS INSTALLED.
- 5. SEAL AROUND SHOWER WITH SILICONE.
- 4. USE SMOOTH PLUMBERS PUTTY 167459-01-000 TO SEAL STRAINER (0.2 PER STRAINER).
- 3. ALL PIPE AND FITTINGS TO BE ASSEMBLED WITH SOLVENT 004020-01-000 (USA), 004020-02-000 (CAN)
- 2. SLOPE OF TRAP ARM MUST BE 6 PER 305 mm.
- 1. SLOPE OF HORIZONTAL PIPING TO BE MINIMUM OF 3 PER 305 mm.

WINNEBAGO
COPYRIGHT 2016 WINNEBAGO INDUSTRIES, INC.

DSNR:	ALL DIMENSIONS ARE IN MILLIMETERS	
DFTR:	MATERIAL:	
UNSPECIFIED TOLERANCES:	WEIGHT: (LBS)	FIRST USED: (REF)
WHOLE DIM (X) : 3		17 R42HL
ONE-PLACE (X.X) : 1.5		
TWO-PLACE (X.XX) : 0.50		
ANGLE : 1°		
REFER TO ES0018 FOR FASTENER TIGHTENING GUIDELINES		
DESCRIPTION:		
DRAINAGE SYSTEM INSTL		
SHEET: 1 OF 4	ITEM/PART NO: 000201654 / 30275701000	REV:
REF:		1 06-Jan-2017

X-X
FOR DRAINAGE CALLOUTS SEE DWG NO. 000211962 / 303370-01-000



VIEW BC

VIEW BD

VIEW BB

VIEW BA

STRAINER ASM-PLASTIC
106116-01-CHT

SINK-GALLEY
173783-01-CHT
STRAINER-SINK
092303-01-000 (2)

WASTE-CONTINUOUS
011091-04-000

TOILET
152830-01-CHT

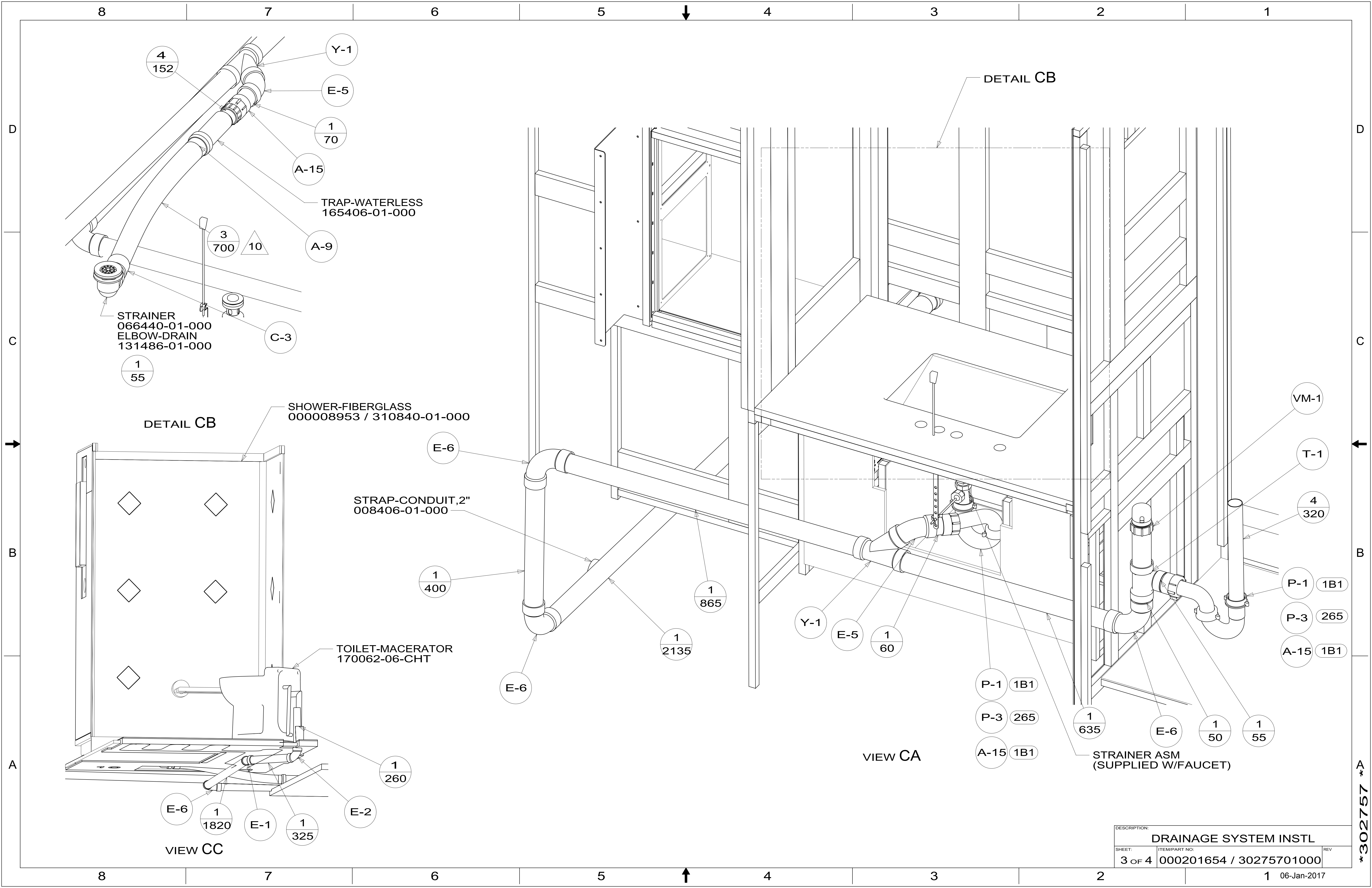
ELBOW
136111-01-000

ELBOW
136111-01-000

STRAP-CONDUIT,2"
008406-01-000

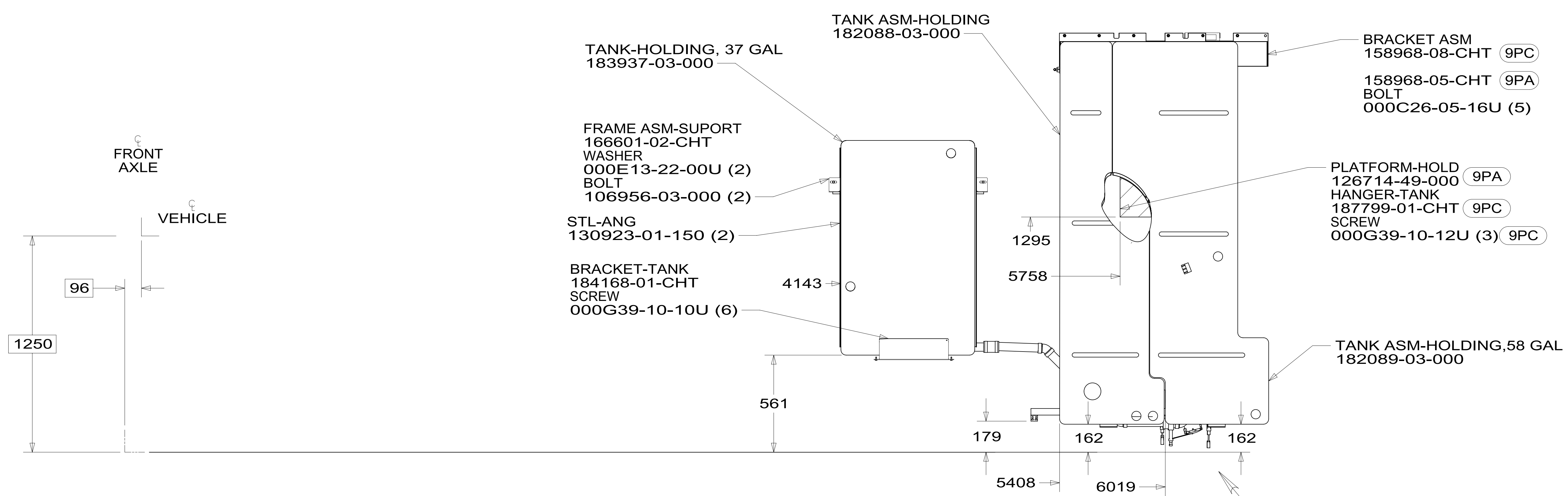
DESCRIPTION: DRAINAGE SYSTEM INSTL		
SHEET: 2 OF 4	ITEM/PART NO.: 000201654 / 30275701000	REV: 1
		DATE: 06-Jan-2017

302757

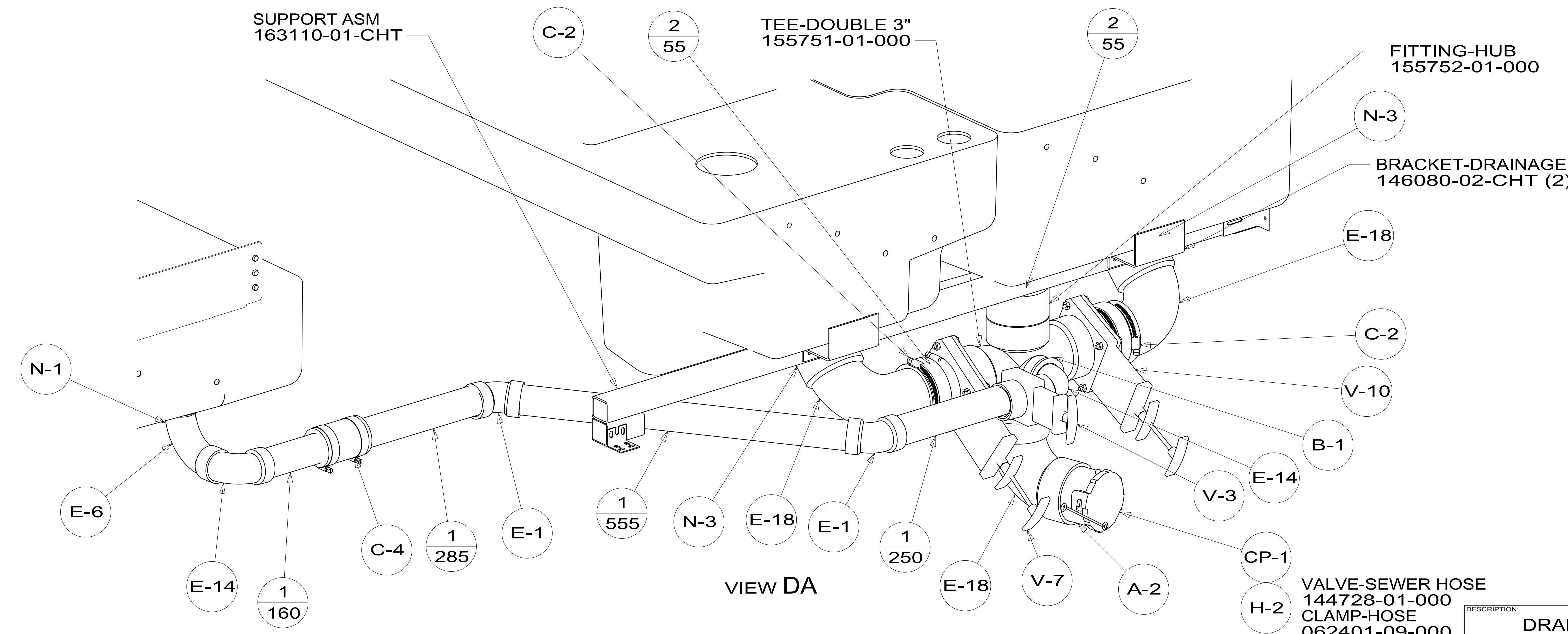


DESCRIPTION:		
DRAINAGE SYSTEM INSTL		
SHEET:	ITEM/PART NO:	REV
3 OF 4	000201654 / 30275701000	

302757



TOP VIEW SHOWING TANKS AND DRAINS



VIEW DA

VALVE-SEWER HOSE
144728-01-000
CLAMP-HOSE
062401-09-000

DESCRIPTION: DRAINAGE SYSTEM INSTL		
SHEET: 4 OF 4	ITEM/PART NO: 000201654 / 30275701000	REV

302757