

11. FOR INSTALLATION USE SILICON-ADHESIVE 131264-05-CHT. APPLY ON TOP OF PLATE, PLACE COVER ON, AND PUT ADHESIVE AROUND COVER.
10. INSTALL FAUCET WITHOUT BASE PLATE.
9. VALVE MUST REMAIN OPEN AFTER WATER TEST.
8. REQUIRES 5 GALLONS OF 182955-01-000 ANTIFREEZE FOR WINTERIZATION.
7. ALL CRIMP FITTINGS TO PEX TUBING REQUIRE 1/2" CLAMP 140171-03-000.
6. ALL CRIMP FITTINGS TO PEX TUBING REQUIRE 5/8" CLAMP 140171-04-000.
5. LABEL HOT AND COLD SUPPLY TUBES AND TAPE FITTING TO TUBE BEFORE CABINET SET TO PREVENT MOVEMENT.
4. ADD TEFLON TAPE 010405-02-000.
3. ALL TUBING TO BE SECURED AT 1200 INTERVALS MAXIMUM WITH CLAMP 010495-01-000 AND SCREW 000G67-10-12U OR EQUIVALENT.
2. TUBING TO BE INSTALLED WITH SUFFICIENT SLOPE TO PROVIDE DRAINAGE TO NEAREST VALVE.
1. PLASTIC FITTINGS TO BE SEALED WITH SEALANT 084456-01-000.

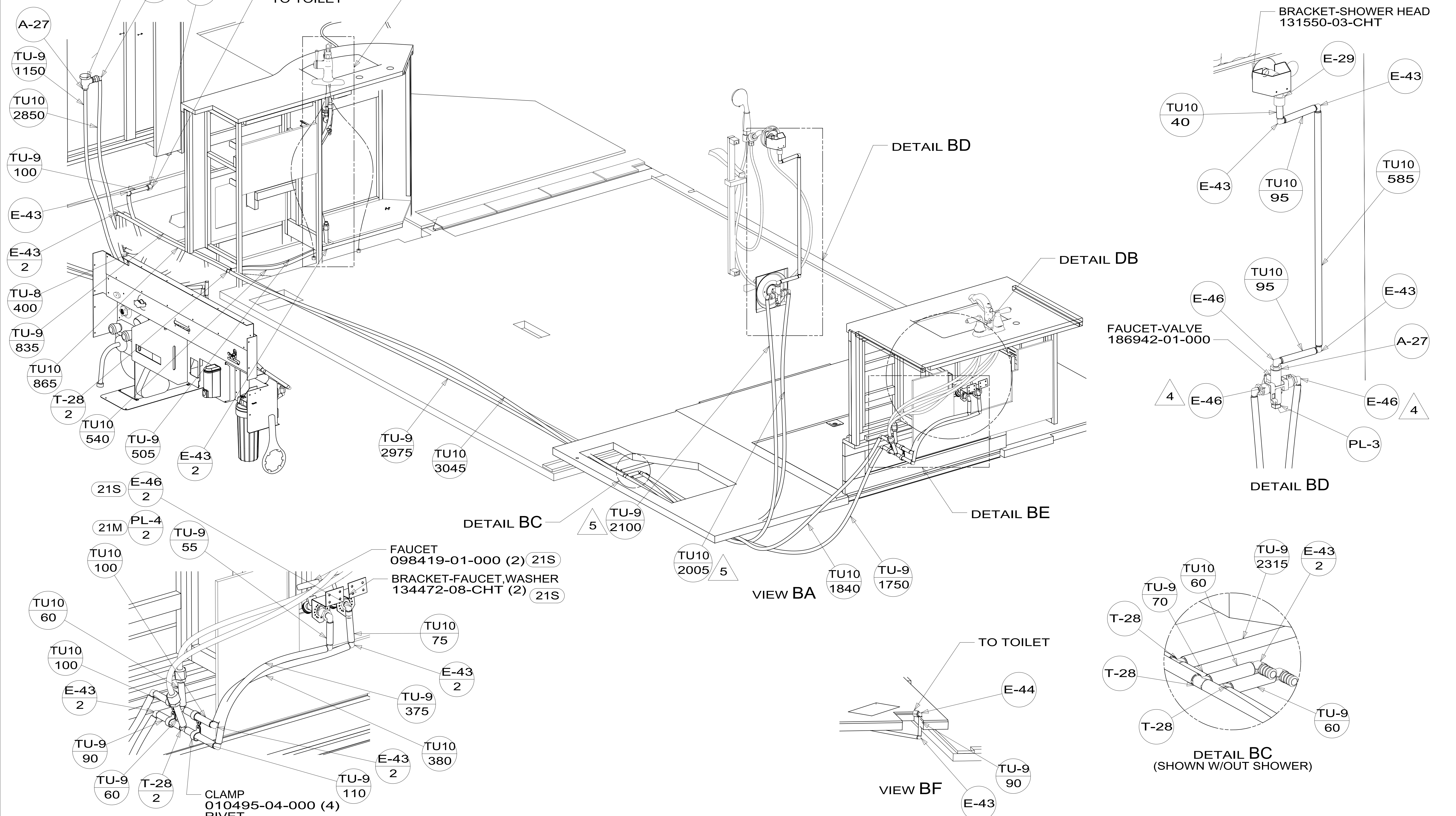
- 9PC TAILGATE PACKAGE
- 21S WASHER & DRYER-PAIR
- 21M WASHER/DRYER PREP
- 214 DISHWASHER-DRAWER STYLE
- 215 DISHWASHER WITHOUT
- 505 HOSE REEL-WATER,POWERED



DSNR:		ALL DIMENSIONS ARE IN MILLIMETERS	
DIFFR:		MATERIAL:	
UNSPECIFIED TOLERANCES:			
WHOLE DIM (X)	3		
ONE-PLACE (X.X)	1.5		
TWO-PLACE (X.XX)			
ANGLE			
REFER TO ES0018 FOR FASTENER TIGHTENING GUIDELINES		WEIGHT: (LBS)	FIRST USED: (REF)
DESCRIPTION: WATER SYSTEM INSTL			
SHEET: 1 OF 5	ITEM/PART NO: 000201651 / 30275301000	REV	

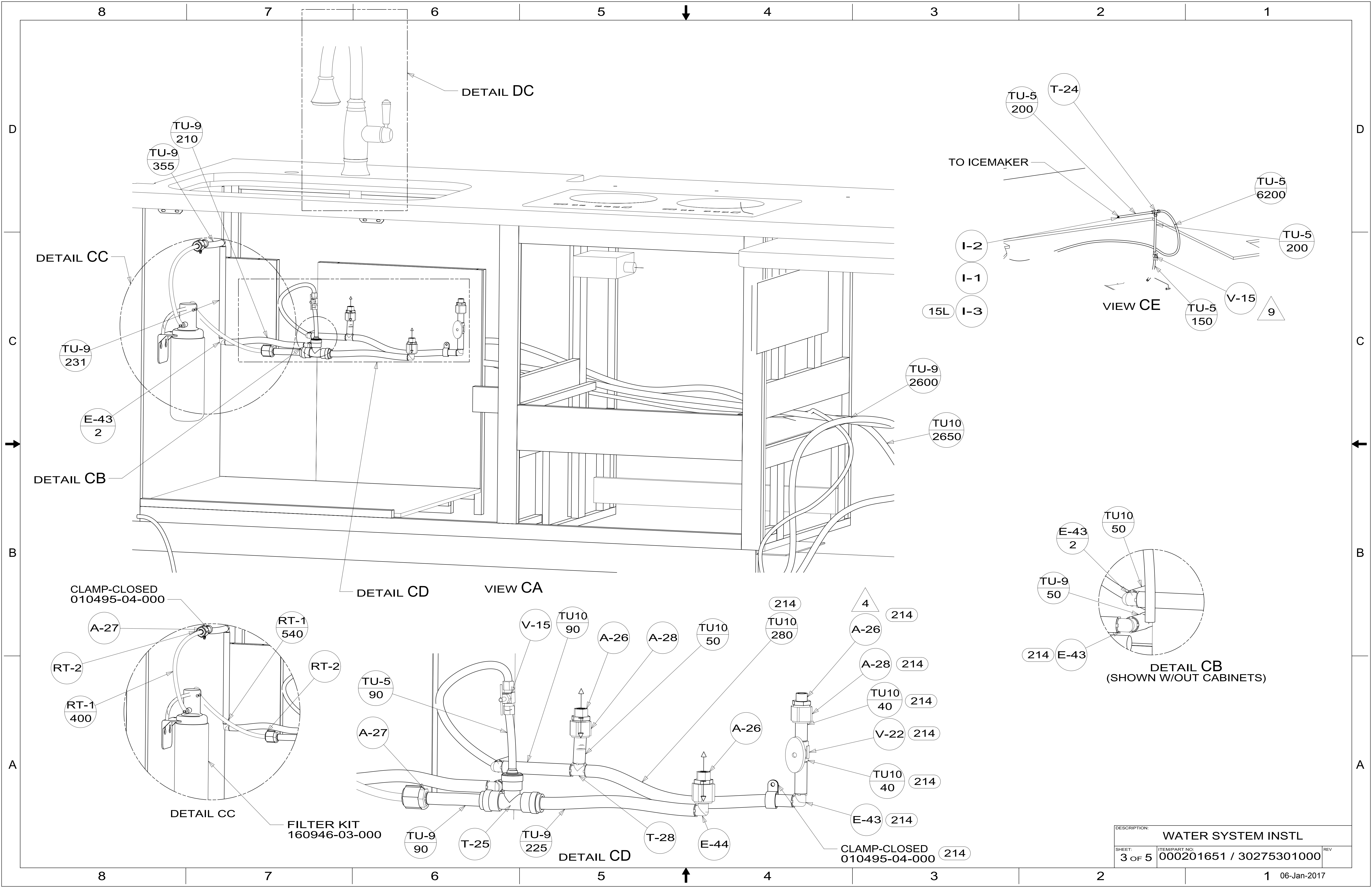
X-X  
FOR WATER CALLOUTS SEE DWG NO. 116230-01-000

BREAKER-VACUUM  
125697-04-000  
CHECK VALVE  
125697-03-000



DESCRIPTION:		WATER SYSTEM INSTL	
SHEET:	ITEM/PART NO.:	REV	
2 OF 5	000201651 / 30275301000		

06-Jan-2017



DETAIL DC

DETAIL CC

TO ICEMAKER

VIEW CE

DETAIL CB

DETAIL CD

VIEW CA

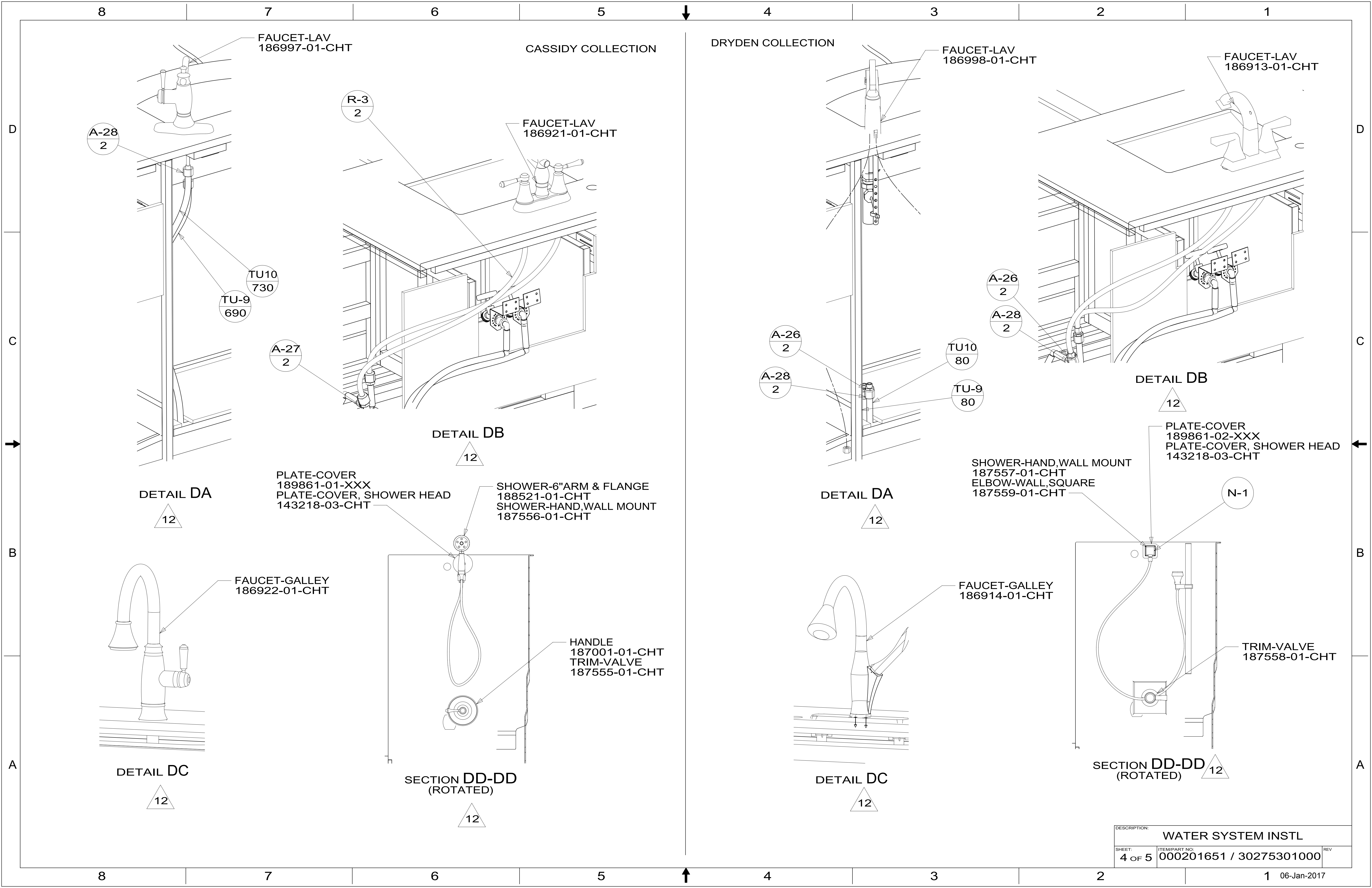
DETAIL CB  
(SHOWN W/OUT CABINETS)

CLAMP-CLOSED  
010495-04-000

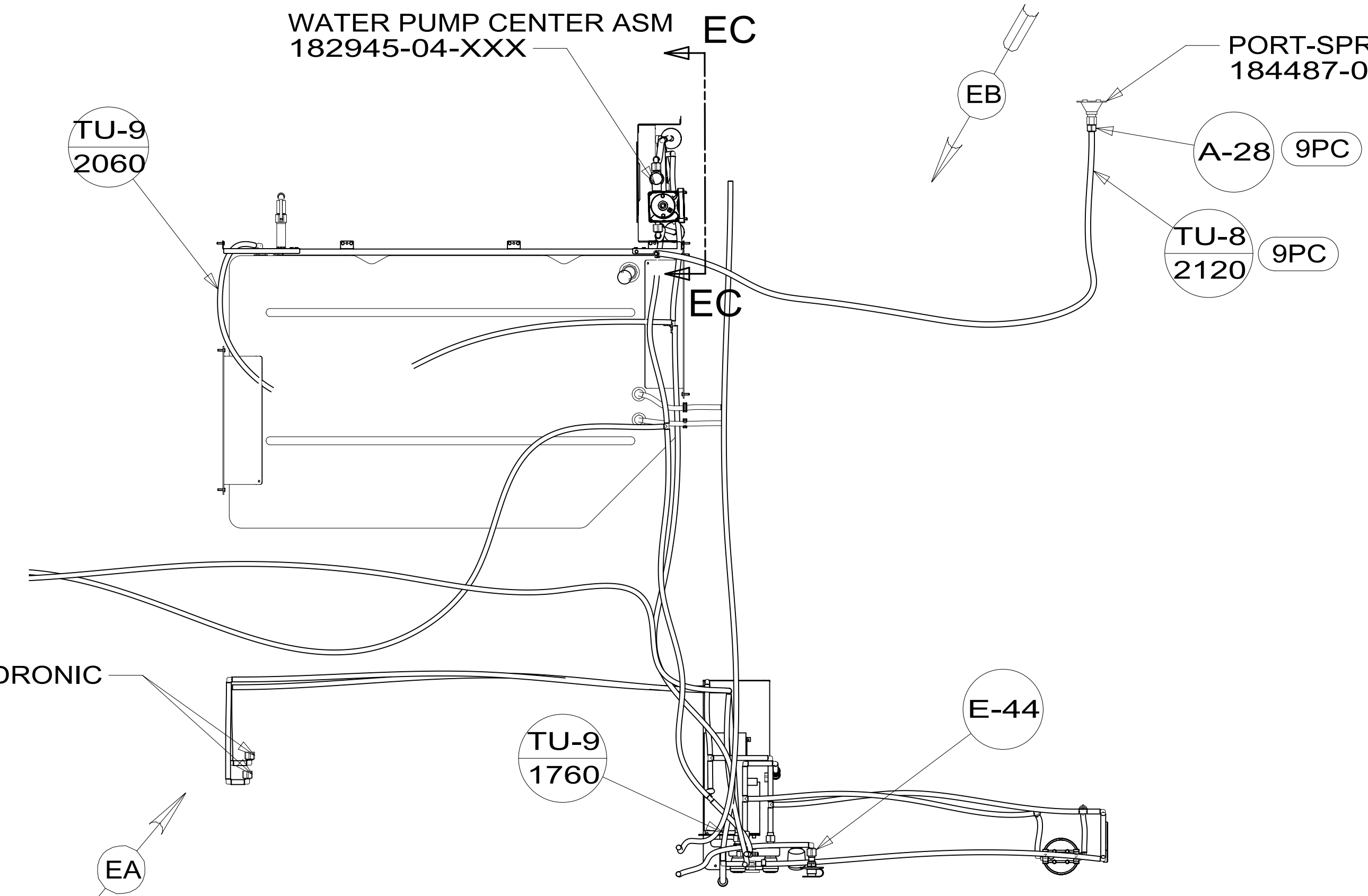
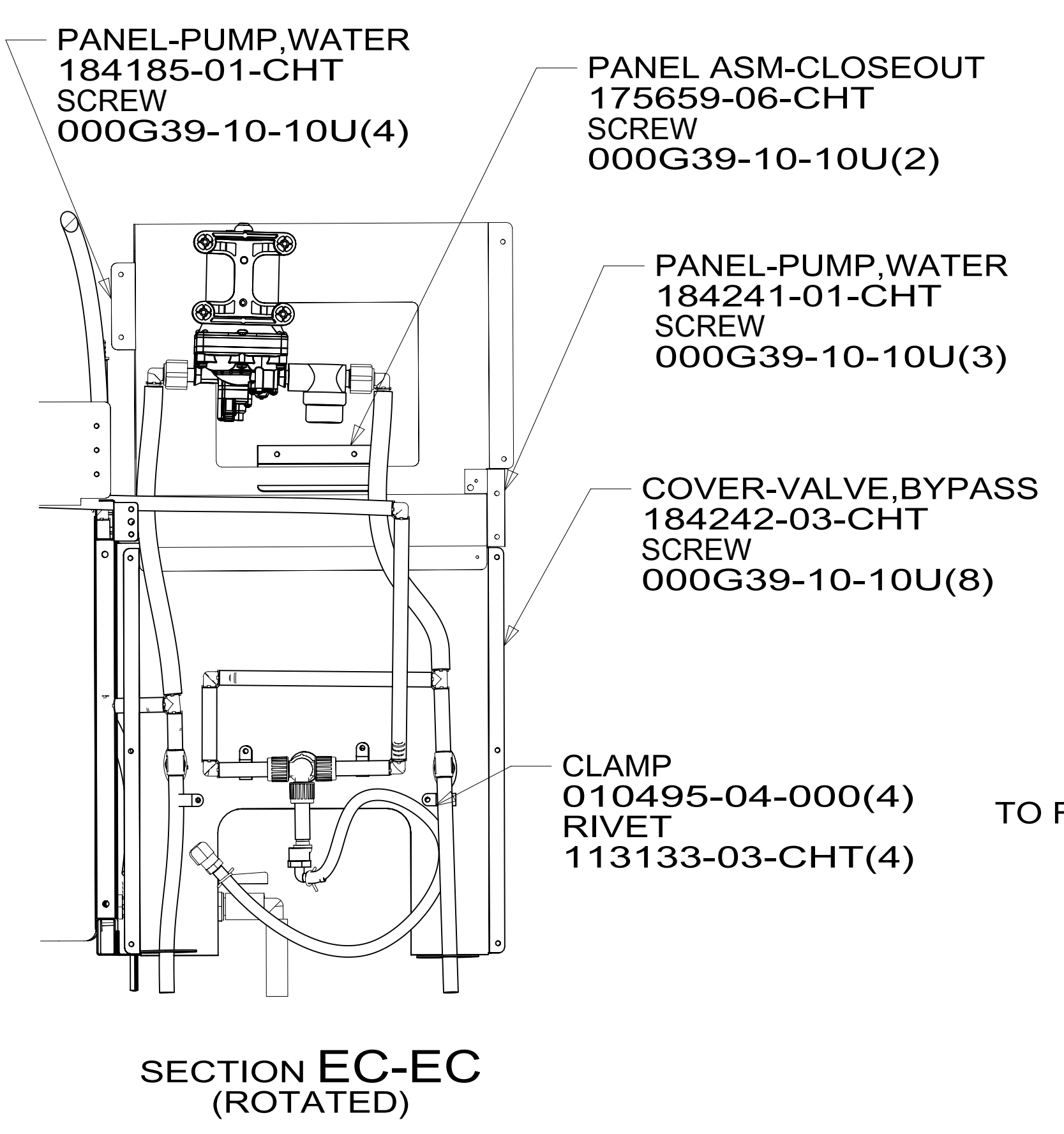
FILTER KIT  
160946-03-000

CLAMP-CLOSED  
010495-04-000

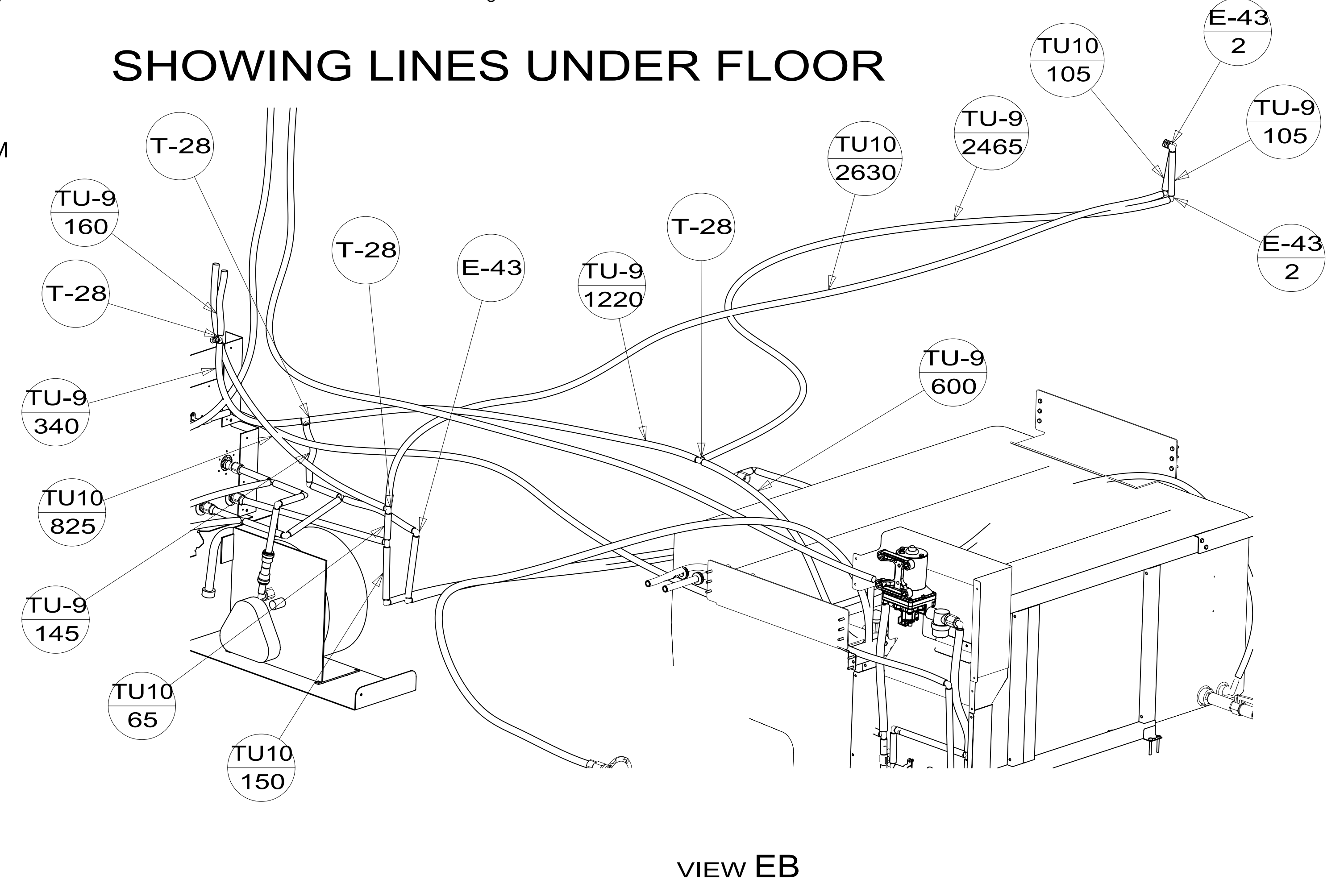
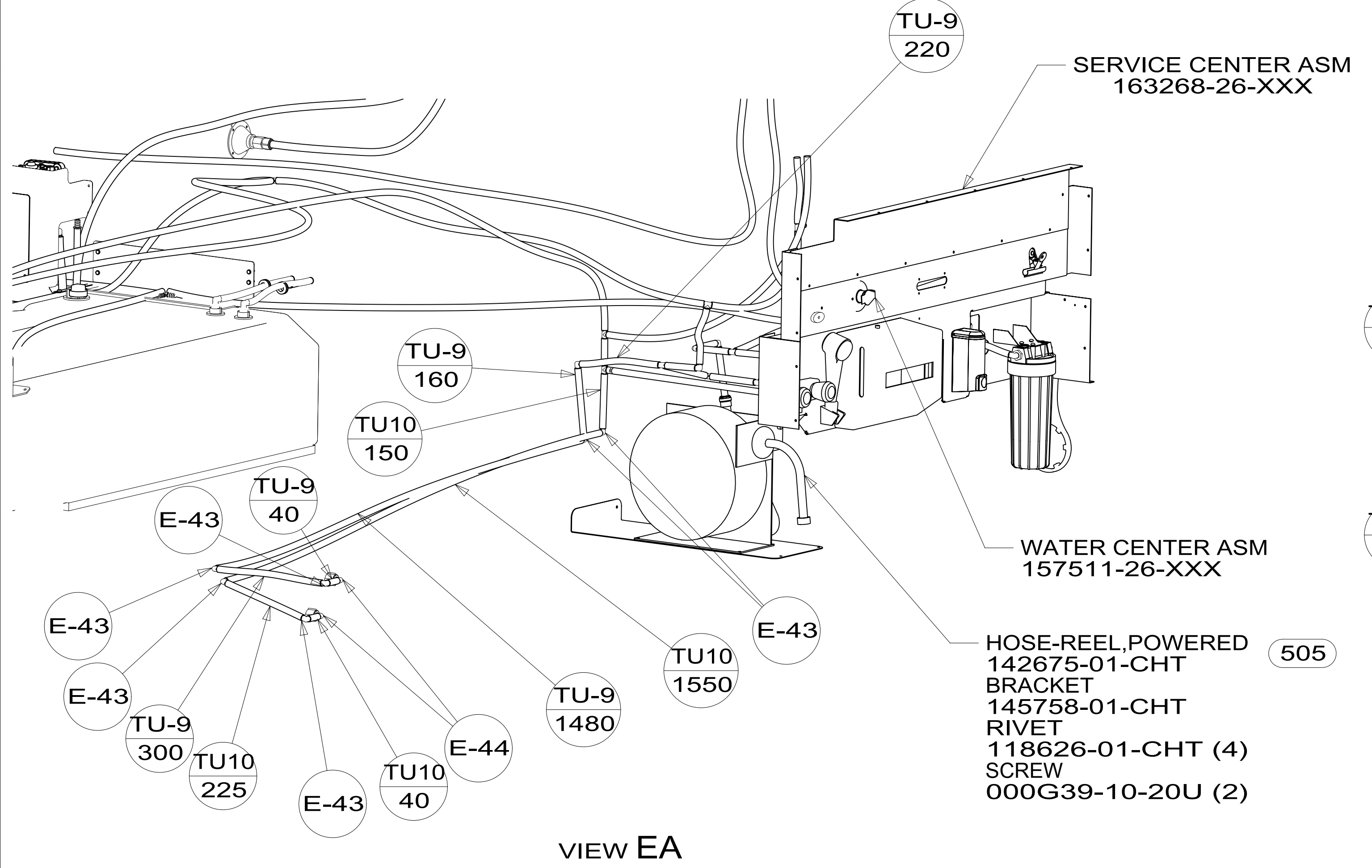
DESCRIPTION:		
WATER SYSTEM INSTL		
SHEET:	ITEM/PART NO:	REV
3 OF 5	000201651 / 30275301000	







SHOWING LINES UNDER FLOOR



DESCRIPTION:		
WATER SYSTEM INSTL		
SHEET:	ITEM/PART NO:	REV
5 OF 5	000201651 / 30275301000	