

- NOTES:
1. PLASTIC FITTINGS TO BE SEALED WITH SEALANT 084456-01-000.
  2. TUBING TO BE INSTALLED WITH SUFFICIENT SLOPE TO PROVIDE DRAINAGE TO NEAREST VALVE.
  3. ALL TUBING TO BE SECURED AT 1200 INTERVALS MAXIMUM WITH CLAMP 010495-01-000 AND SCREW 000G67-10-12U OR EQUIVALENT.
  4. ADD TEFLON TAPE 010405-02-000.
  5. ADD PIPE WRAP (LADDER SCRAP 110157-02-000) INSULATION.
  6. LABEL HOT AND COLD SUPPLY TUBES AND TAPE FITTING TO TUBE BEFORE CABINET SET TO PREVENT MOVEMENT.
  7. ALL CRIMP FITTINGS TO PEX TUBING REQUIRE 5/8" CLAMP 140171-04-000.
  8. ALL CRIMP FITTINGS TO PEX TUBING REQUIRE 1/2" CLAMP 140171-03-000.
  9. FLUSHING SYSTEM REQUIRES 125697-06-000 INSTRUCTION SHEET.
  10. VALVE MUST REMAIN OPEN AFTER WATER TEST.
  11. REQUIRES 5 GALLONS OF 182955-01-000 ANTIFREEZE FOR WINTERIZATION.
  12. SEE STYLING SHEETS.
  13. INSTALL FAUCET WITHOUT BASEPLATE.
  14. FOR INSTALLATION USE SILICON-ADHESIVE 131264-05-CHT. APPLY ON TOP OF PLATE, PLACE COVER ON, AND PUT ADHESIVE AROUND COVER.

- 9PC TAILGATE PACKAGE
- 21S WASHER & DRYER-PAIR
- 214 DISHWASHER-DRAWER STYLE
- 215 DISHWASHER WITHOUT
- 505 HOSE REEL-WATER,POWERED

X-X

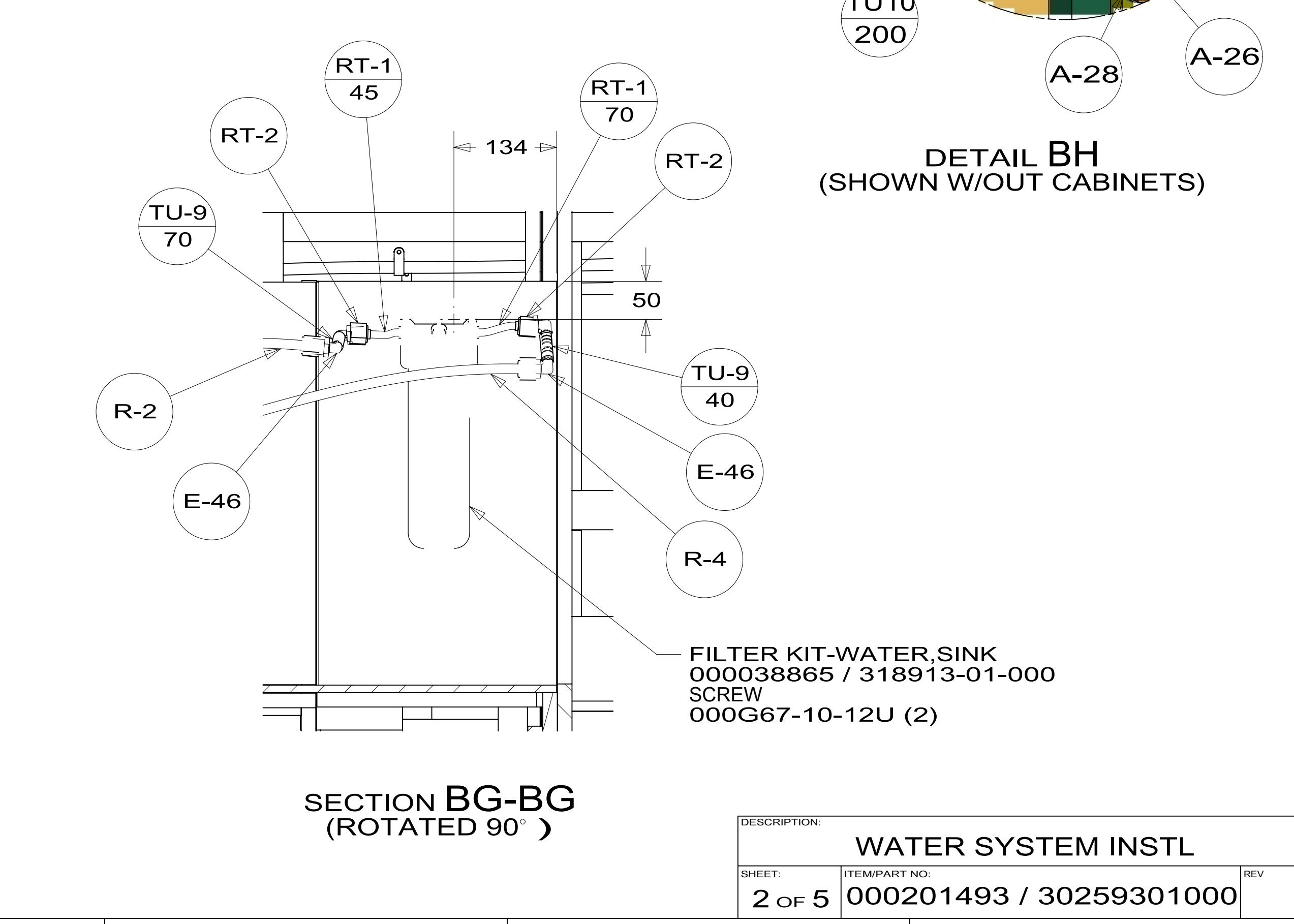
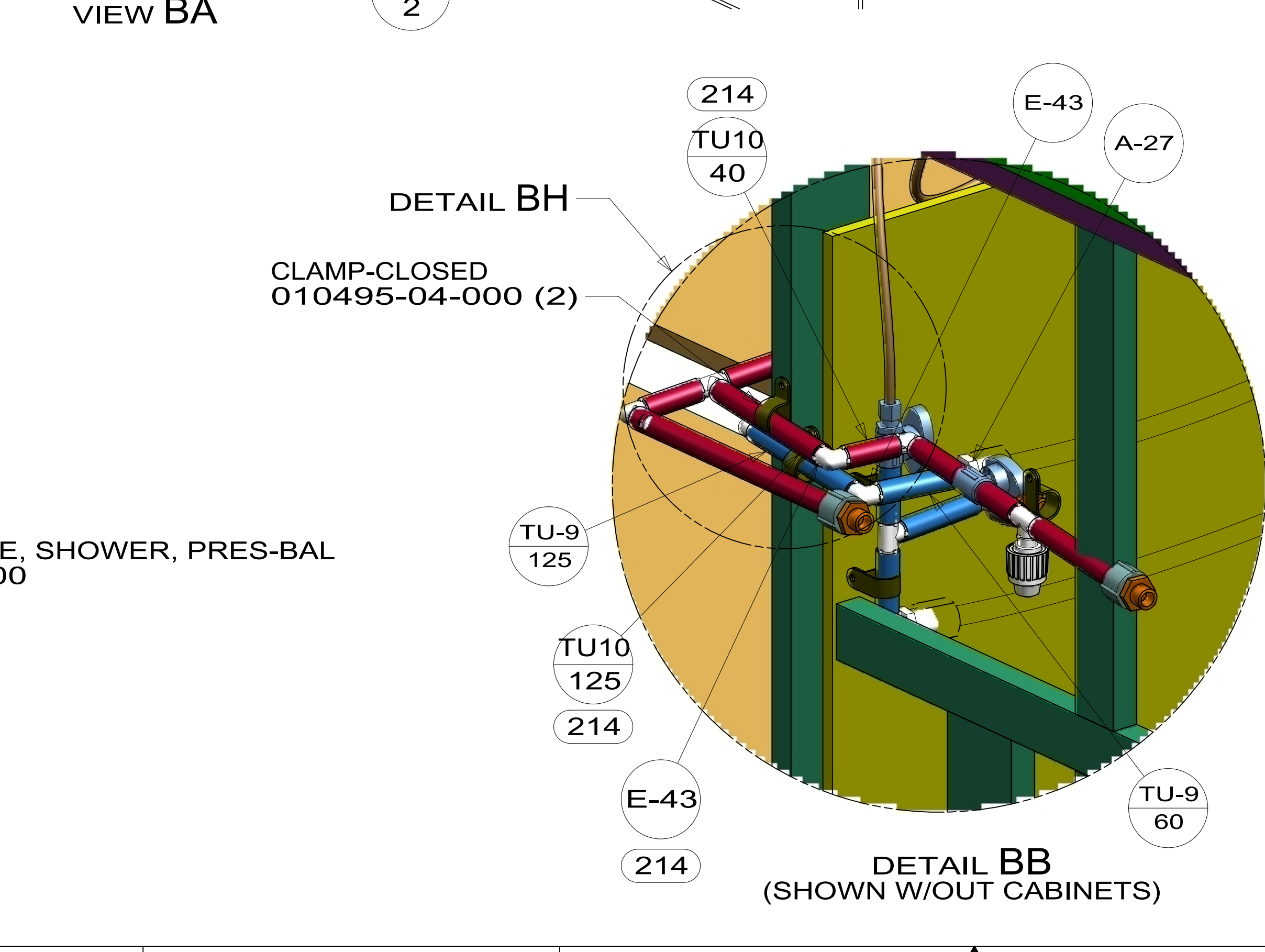
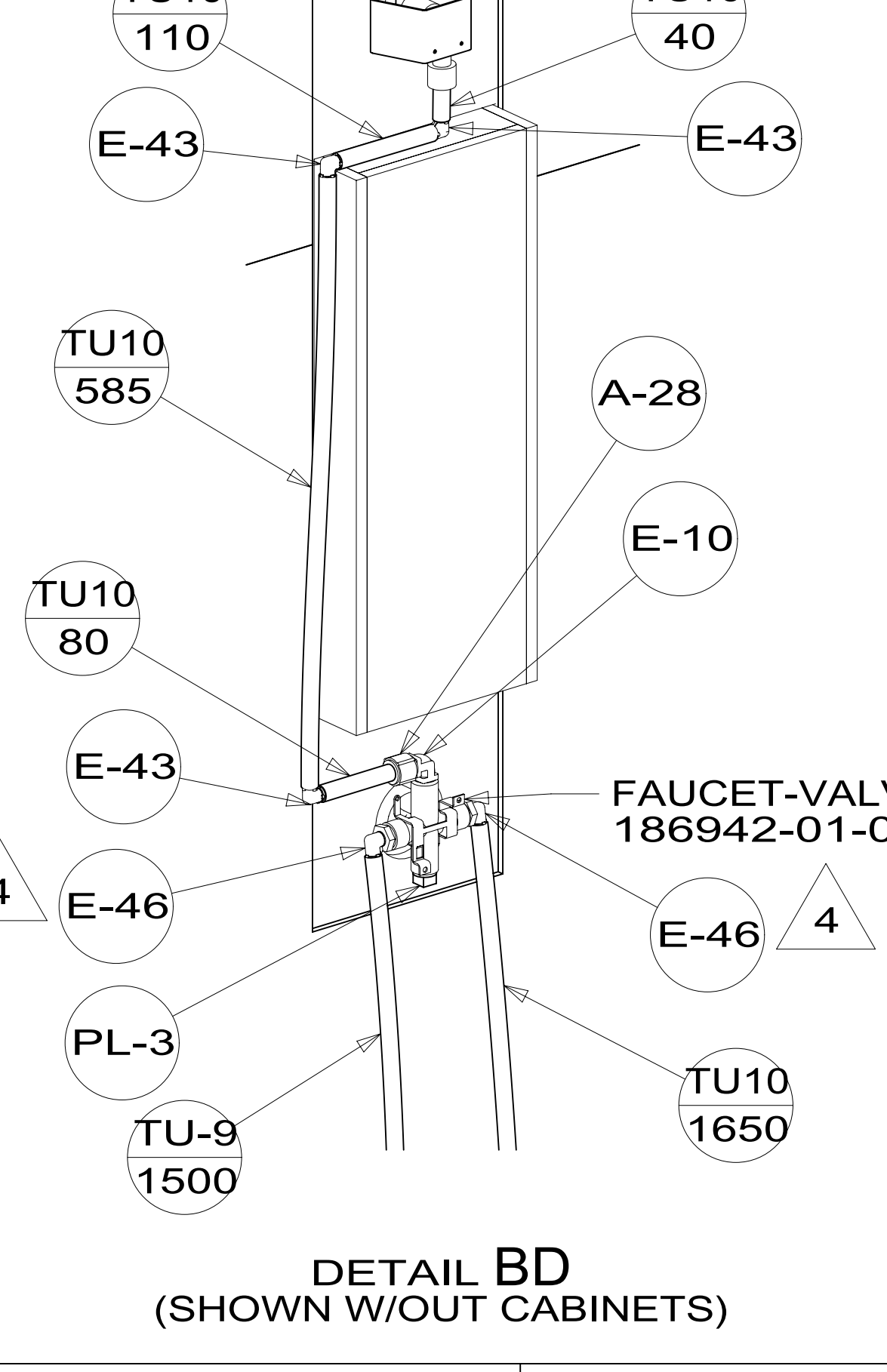
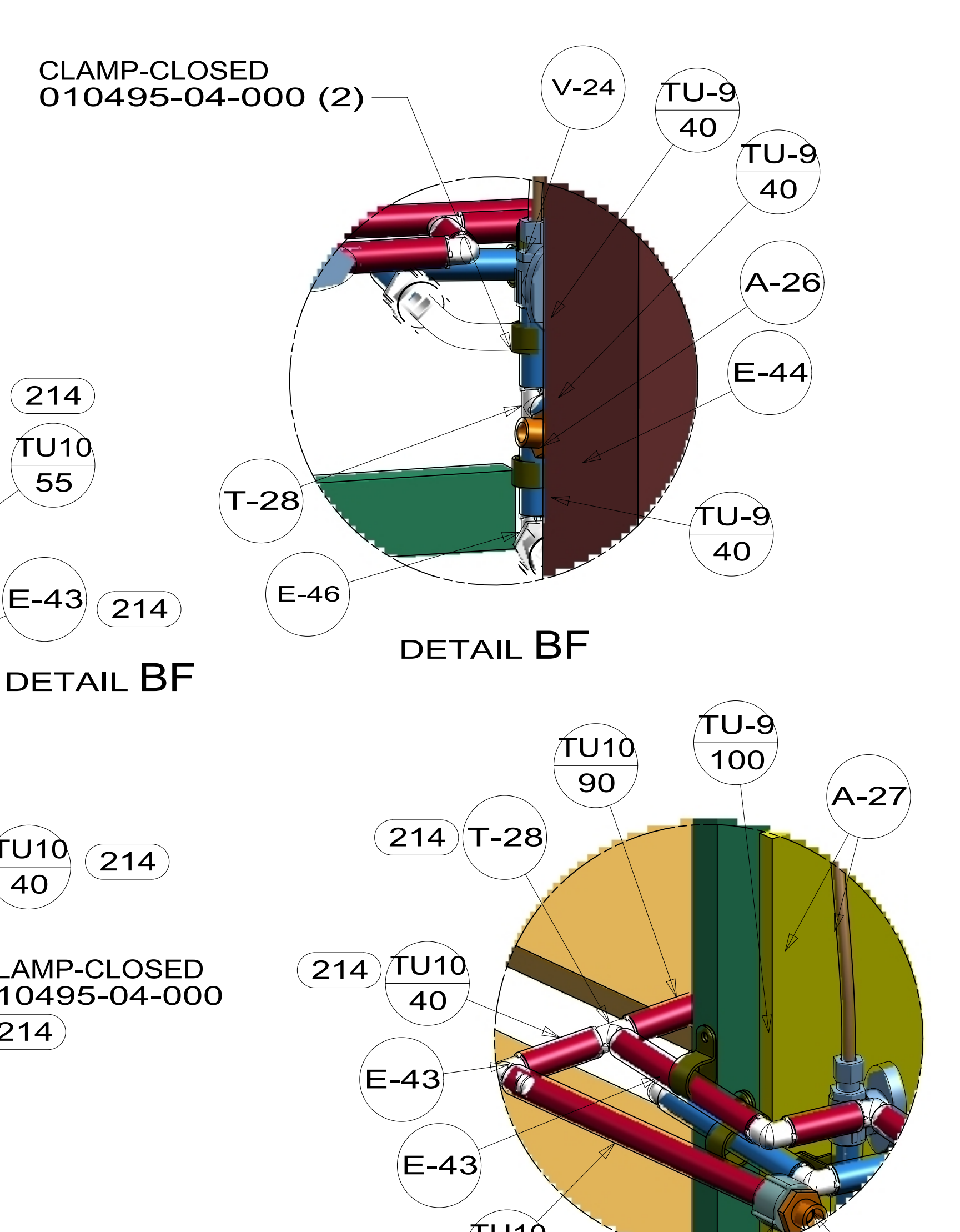
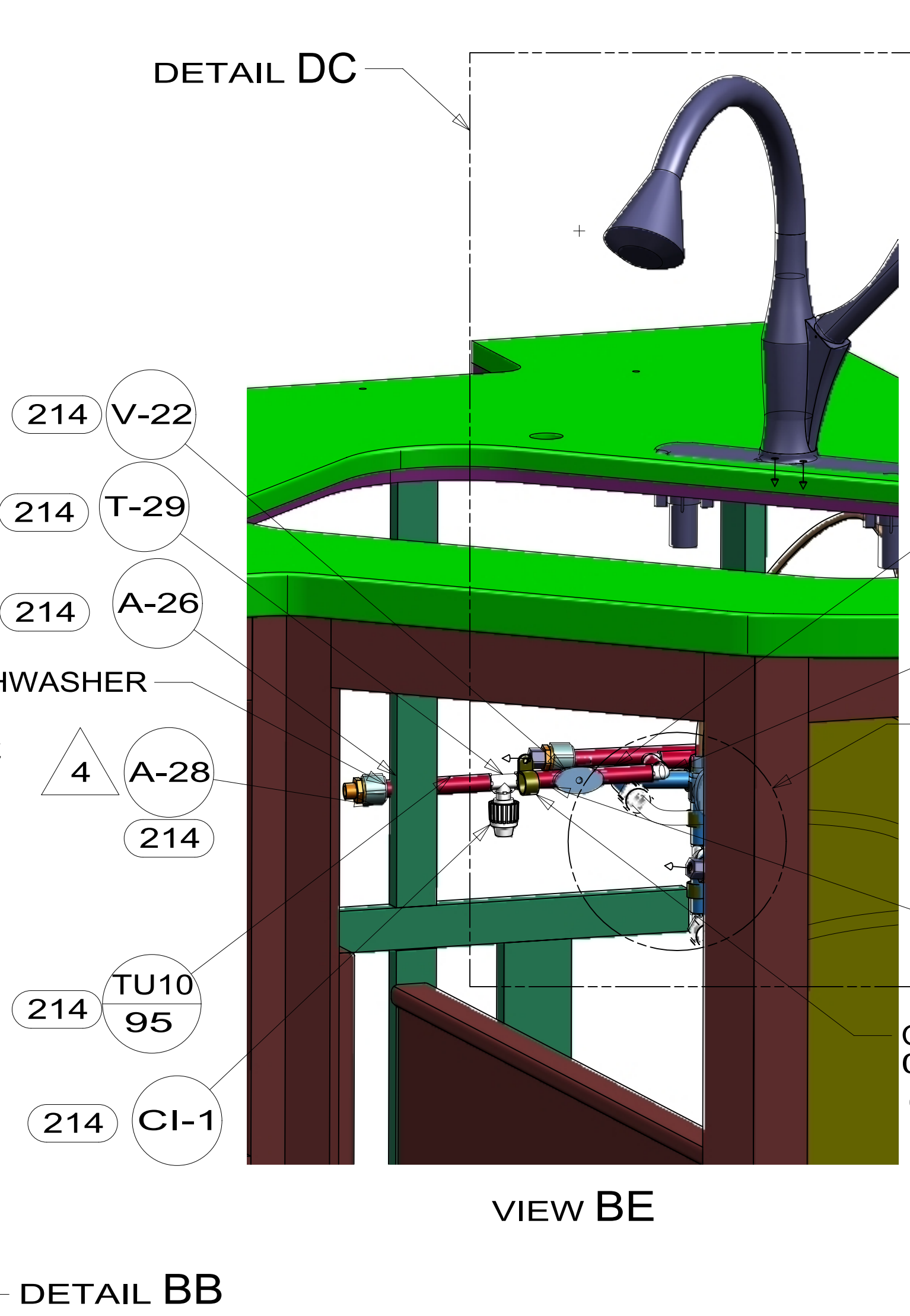
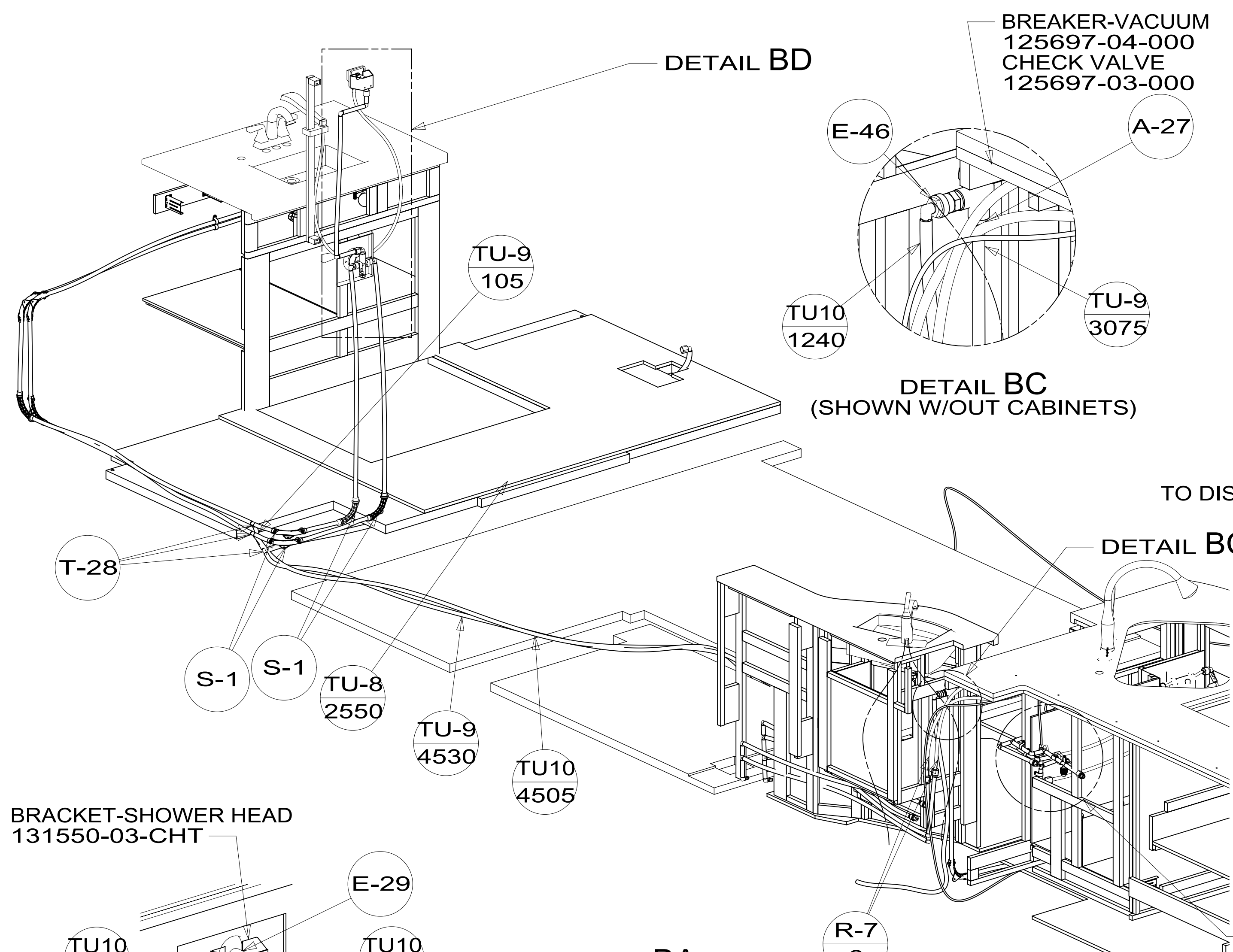
FOR  
WATER  
CALLOUTS  
SEE DWG NO.  
000209446 /  
303369-01-000

**WINNEBAGO**<sup>®</sup>  
COPYRIGHT 2017 WINNEBAGO INDUSTRIES, INC.

DSNR:		ALL DIMENSIONS ARE IN MILLIMETERS	
DIFFR:			
UNSPECIFIED TOLERANCES:		MATERIAL:	
WHOLE DIM (X)	3		
ONE-PLACE (X.X)	1.5		
TWO-PLACE (X.XX)	0.50		
ANGLE	1°		
REFER TO ES0018 FOR FASTENER TIGHTENING GUIDELINES		WEIGHT: (LBS)	FIRST USED: (REF)
			16 R42QL
DESCRIPTION: <b>WATER SYSTEM INSTL</b>			
SHEET:	ITEM/PART NO.:	REV:	
1 OF 5	000201493 / 30259301000		
REF:		1 07-Apr-2017	

\*302593\*

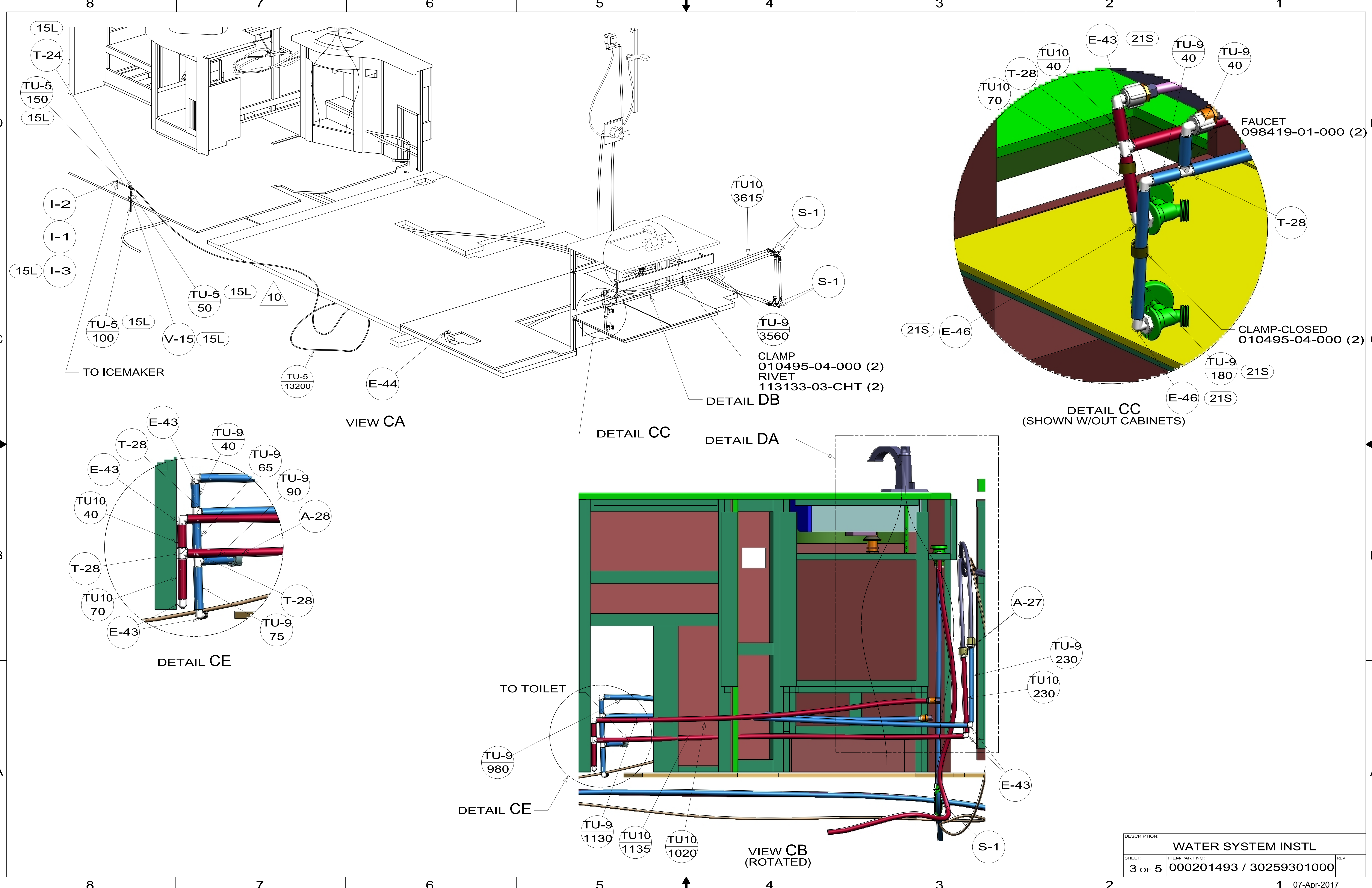




DESCRIPTION:		
WATER SYSTEM INSTL		
SHEET:	ITEM/PART NO.:	REV
2 OF 5	000201493 / 30259301000	

\*302593





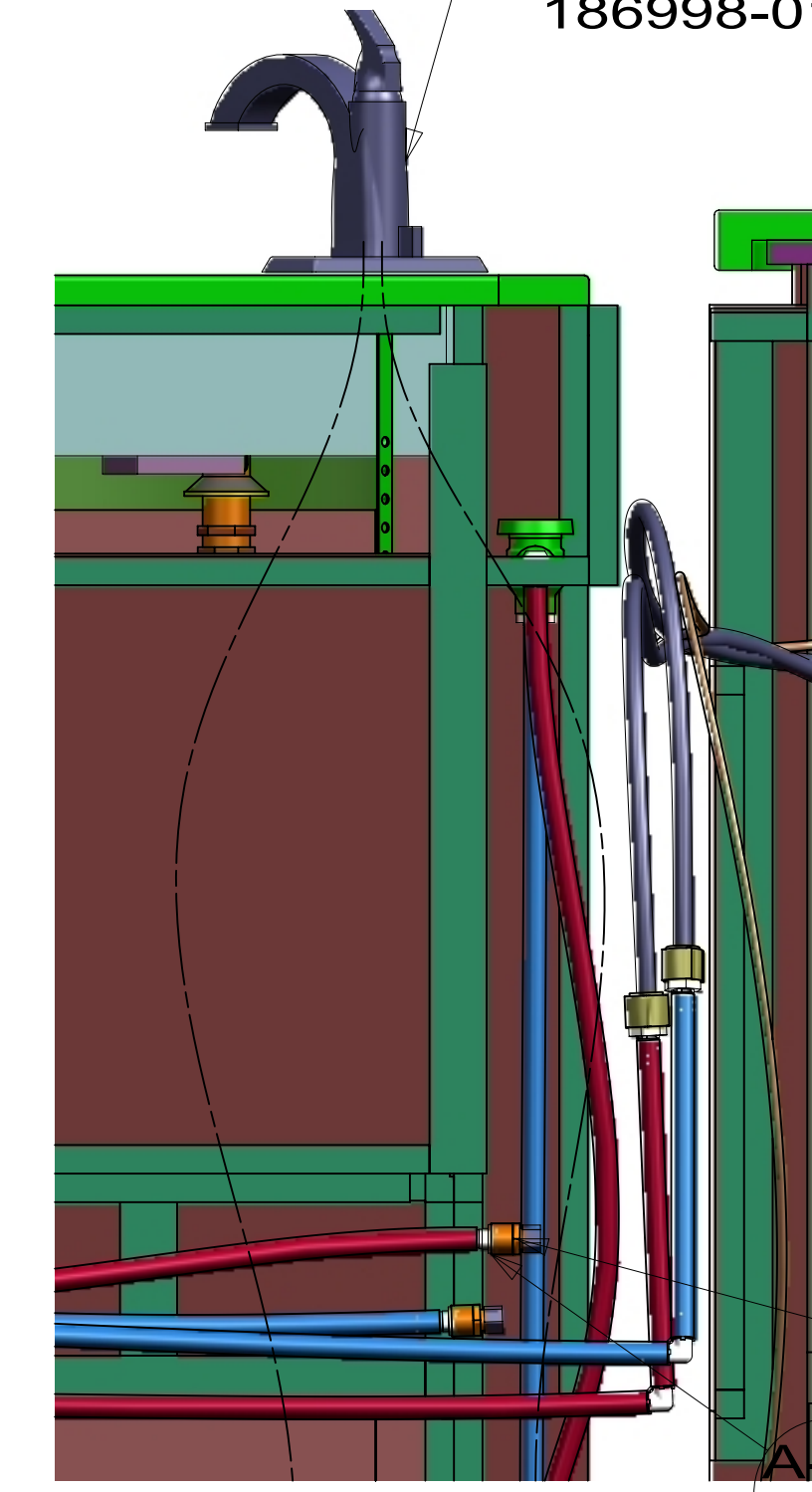
DESCRIPTION:		
WATER SYSTEM INSTL		
SHEET:	ITEM/PART NO.:	REV
3 OF 5	000201493 / 30259301000	

\*302593\*



8 7 6 5 4 3 2 1

DRYDEN COLLECTION  
FAUCET-LAV  
186998-01-CHT

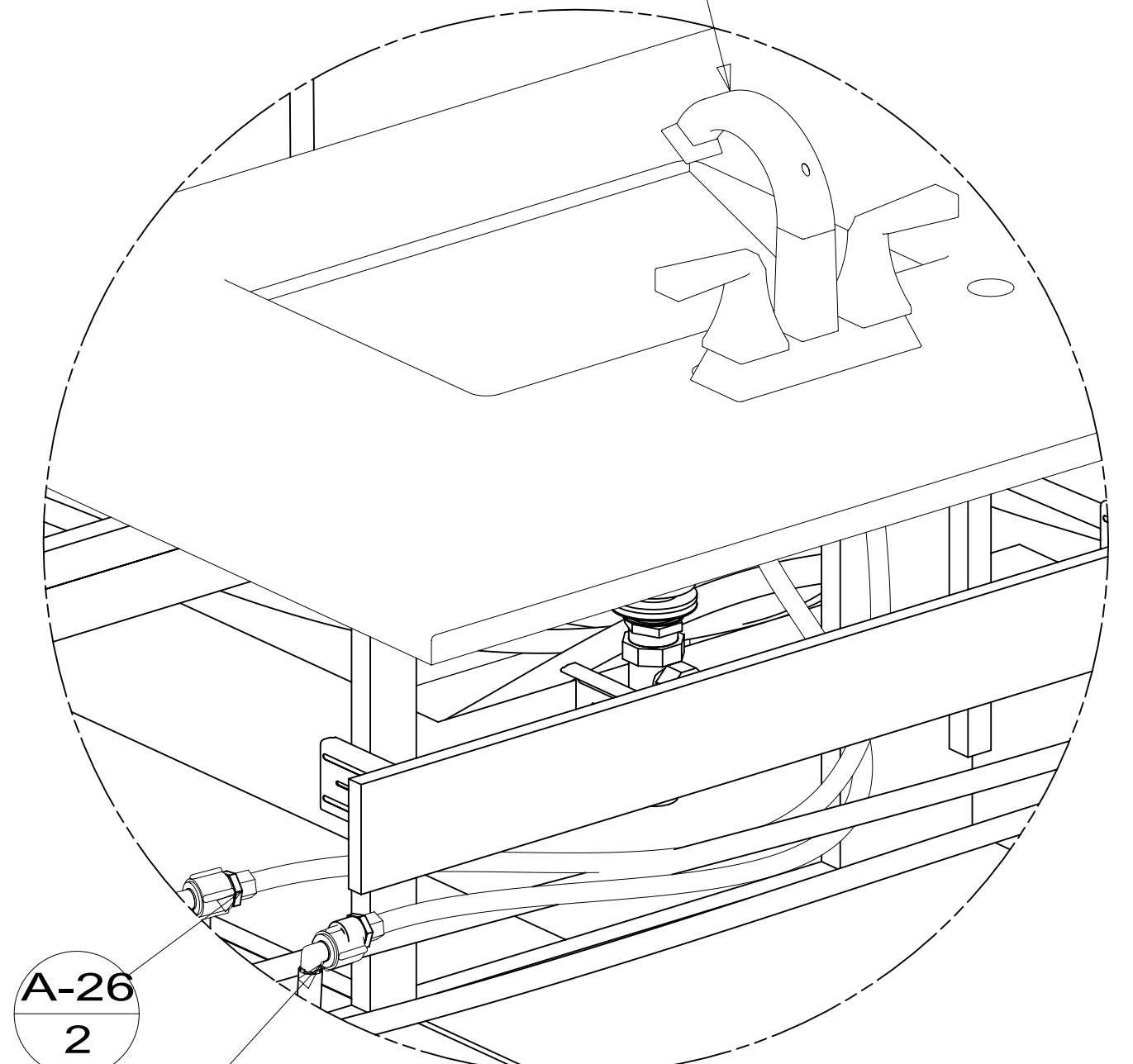


DETAIL DA

12

A-26  
2  
A-28  
2

FAUCET-LAV  
186913-01-CHT



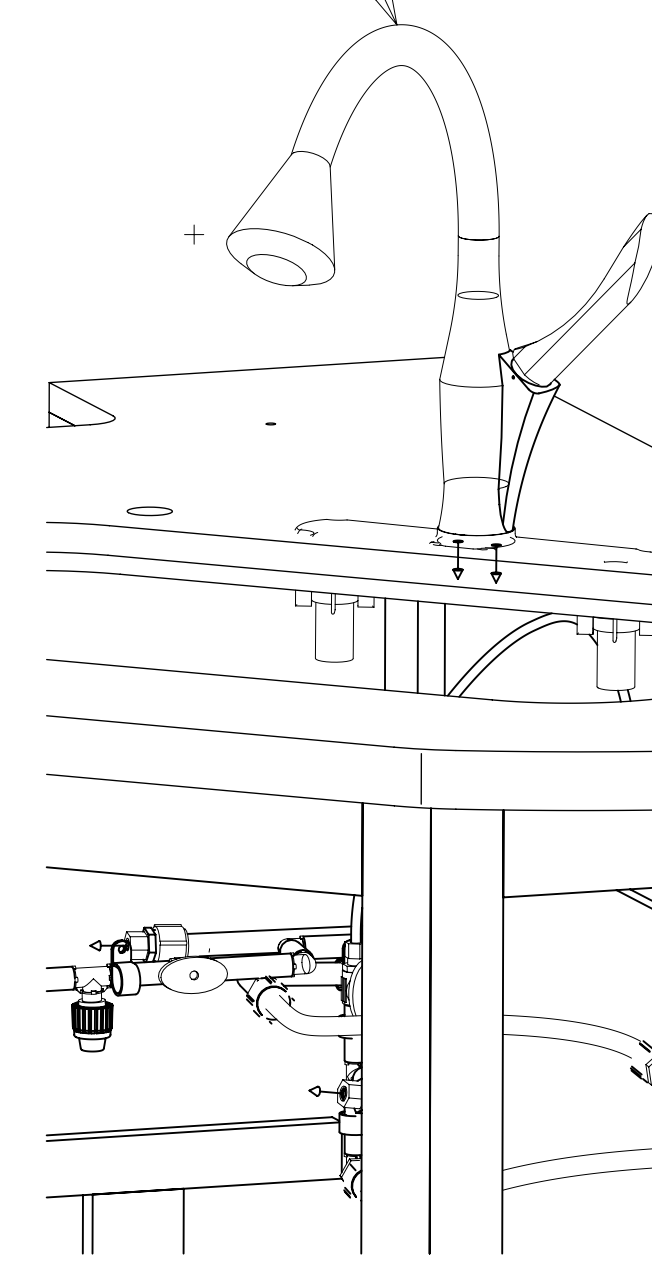
DETAIL DB

12

A-26  
2  
E-44  
2

13  
FAUCET-GALLEY  
186914-01-CHT

SHOWER-HAND, WALL MOUNT  
187557-01-CHT  
ELBOW-WALL, SQUARE  
187559-01-CHT

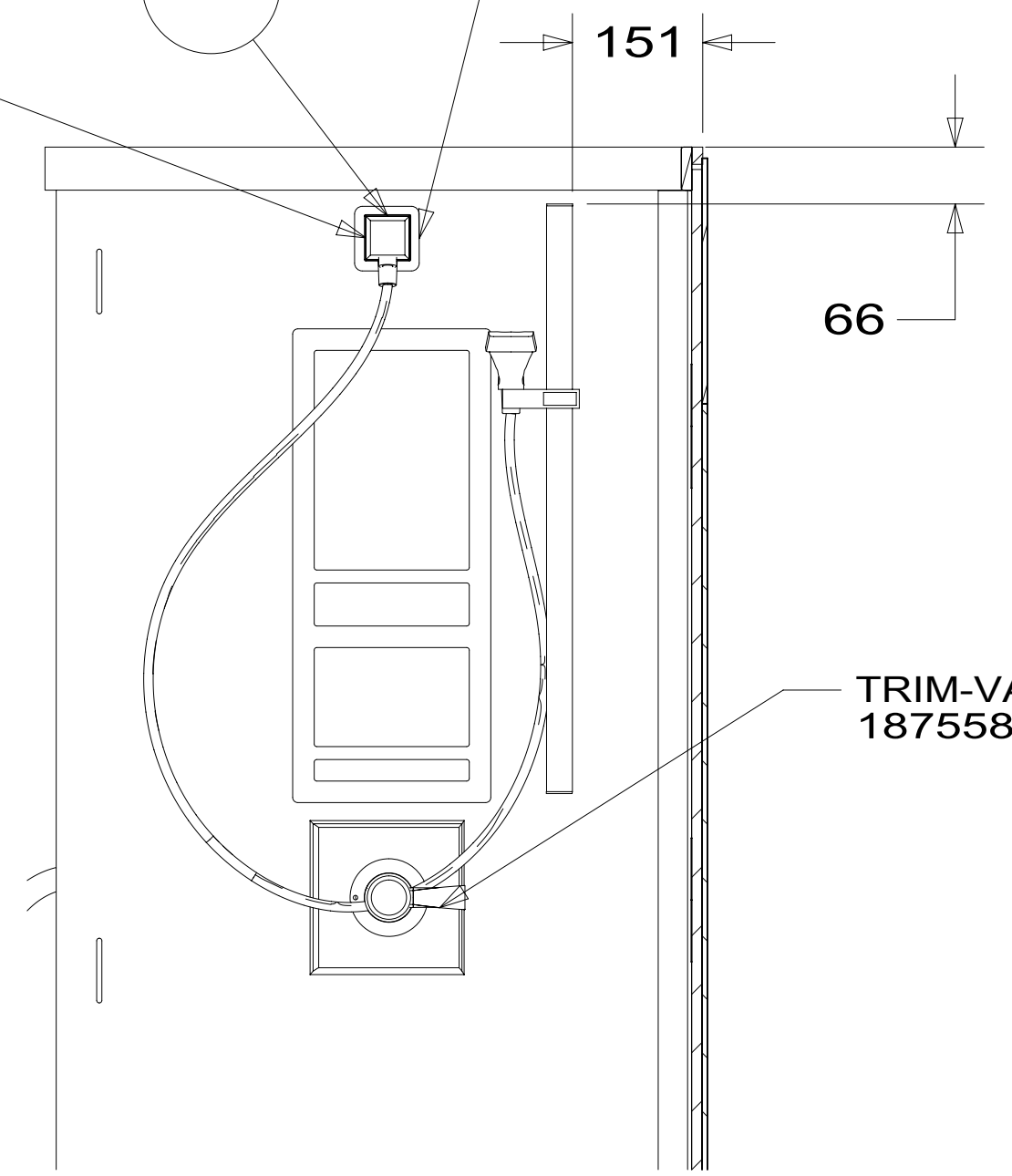


DETAIL EE

12

14  
PLATE-COVER  
189861-02-XXX  
PLATE-COVER, SHOWER HEAD  
143218-03-CHT

N-1



SECTION DD-DD

12

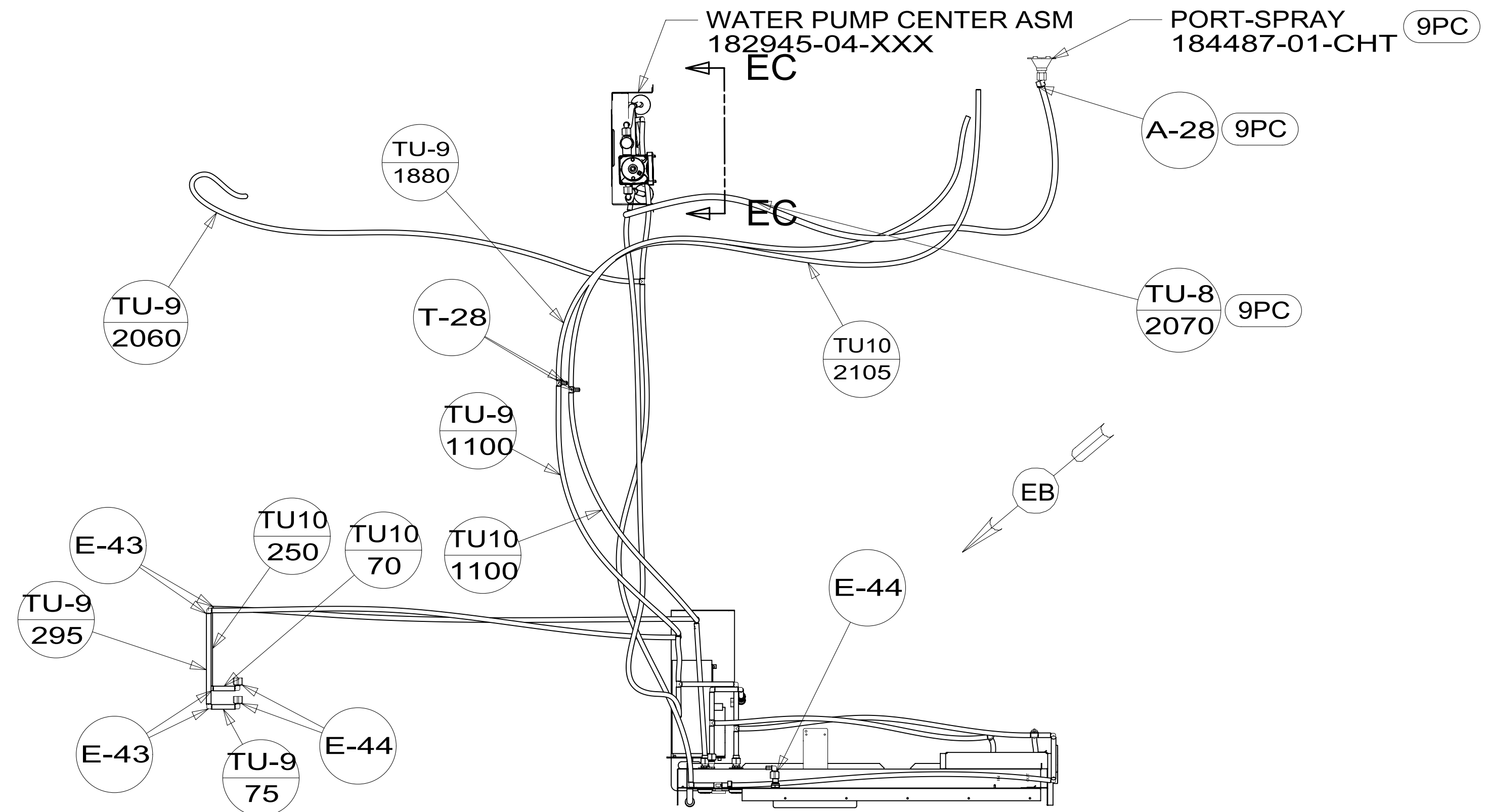
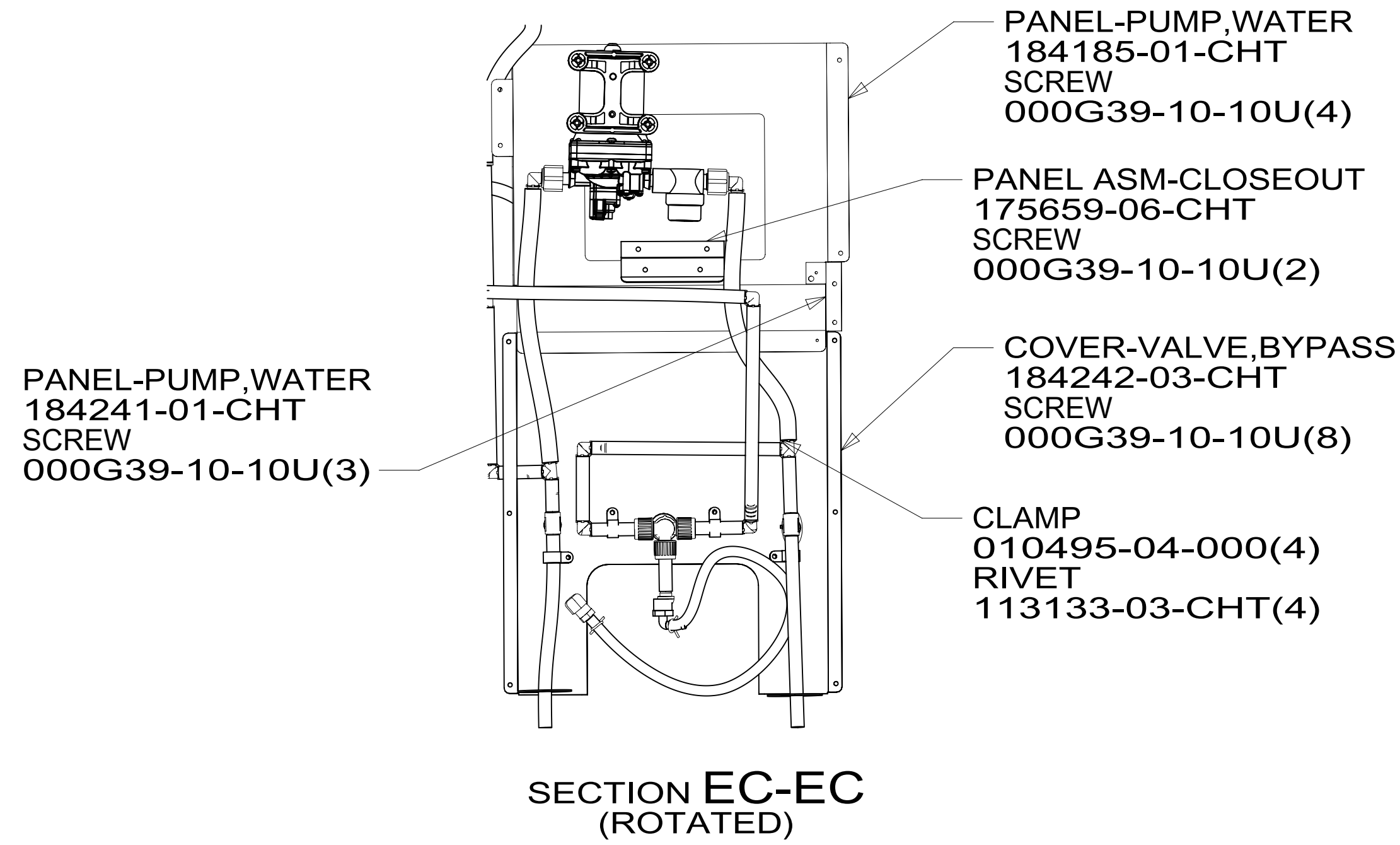
TRIM-VALVE, DRYDEN  
187558-01-CHT

DESCRIPTION: WATER SYSTEM INSTL		
SHEET: 4 OF 5	ITEM/PART NO: 000201493 / 30259301000	REV

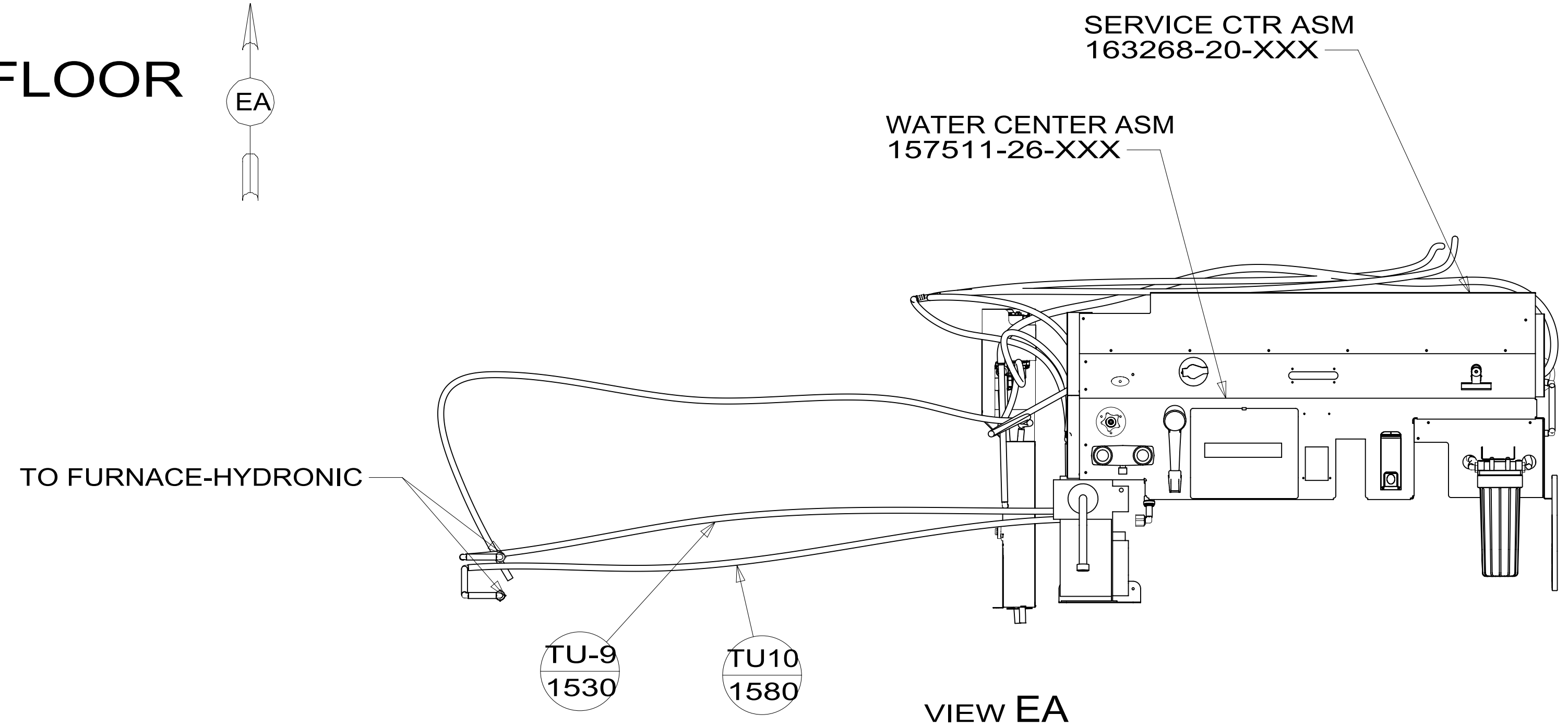
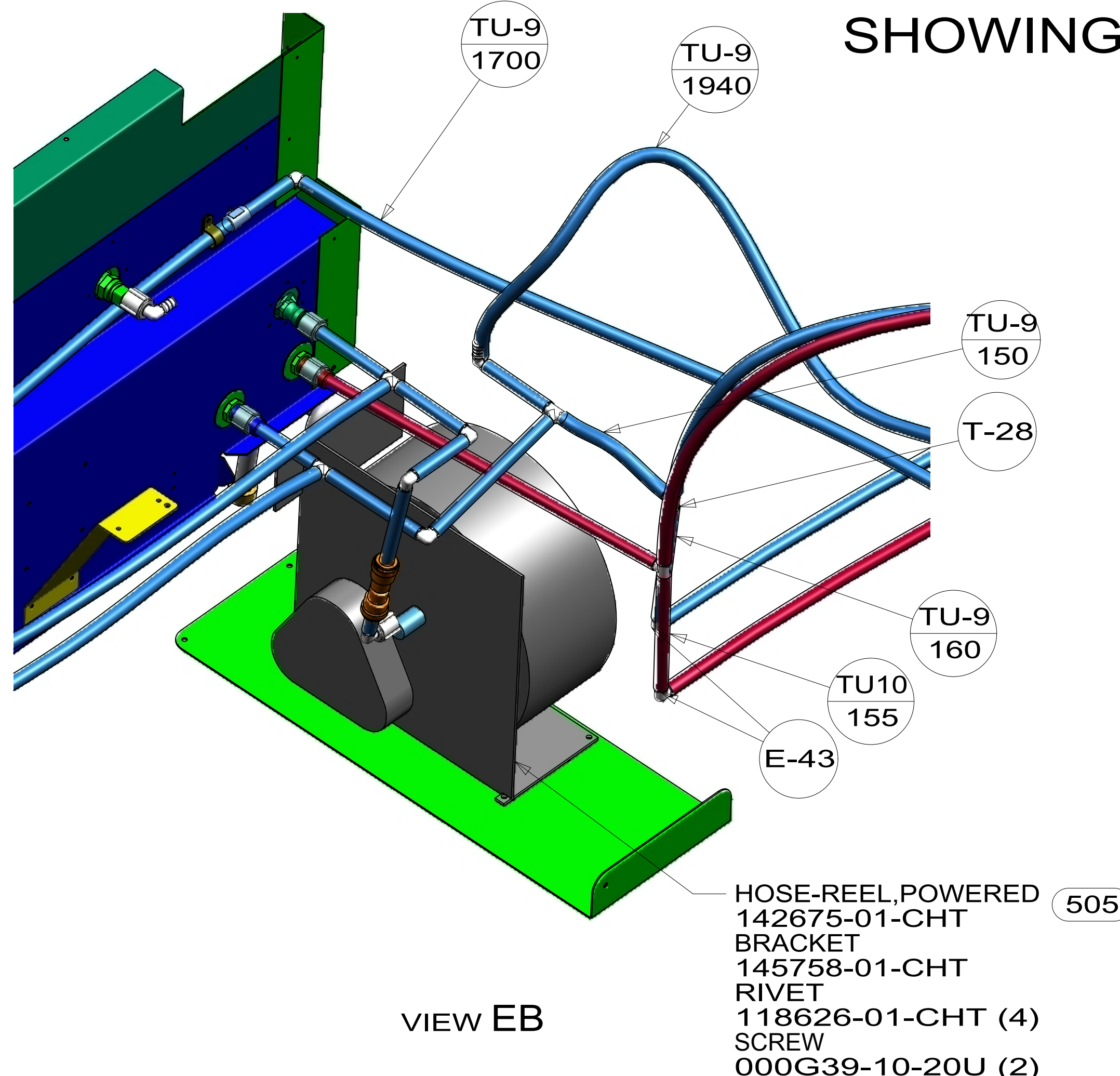
8 7 6 5 4 3 2 1 07-Apr-2017

\*302593\*





SHOWING LINES UNDER FLOOR



DESCRIPTION:		
WATER SYSTEM INSTL		
SHEET:	ITEM/PART NO.:	REV
5 OF 5	000201493 / 30259301000	

\*302593\*