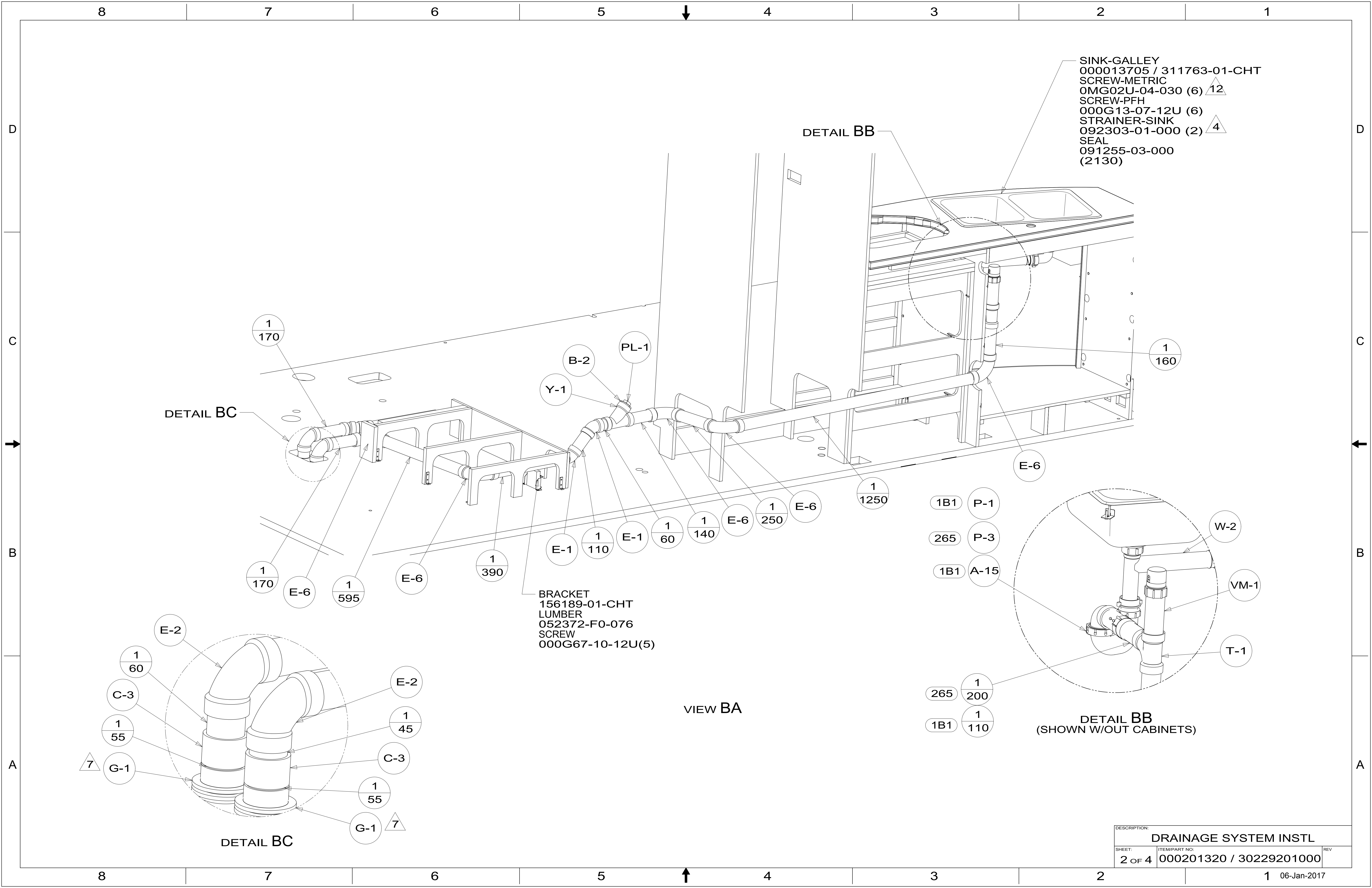


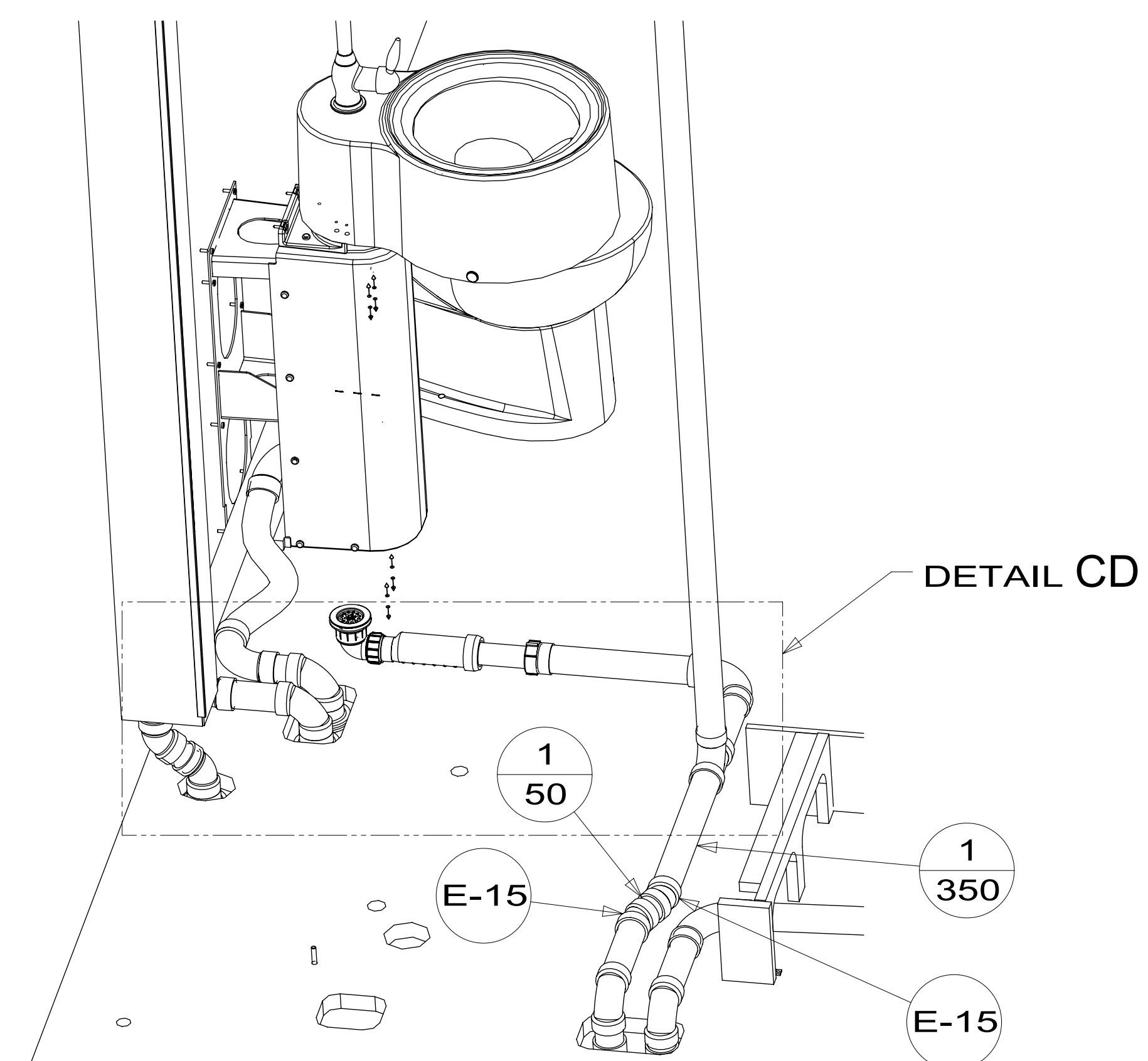
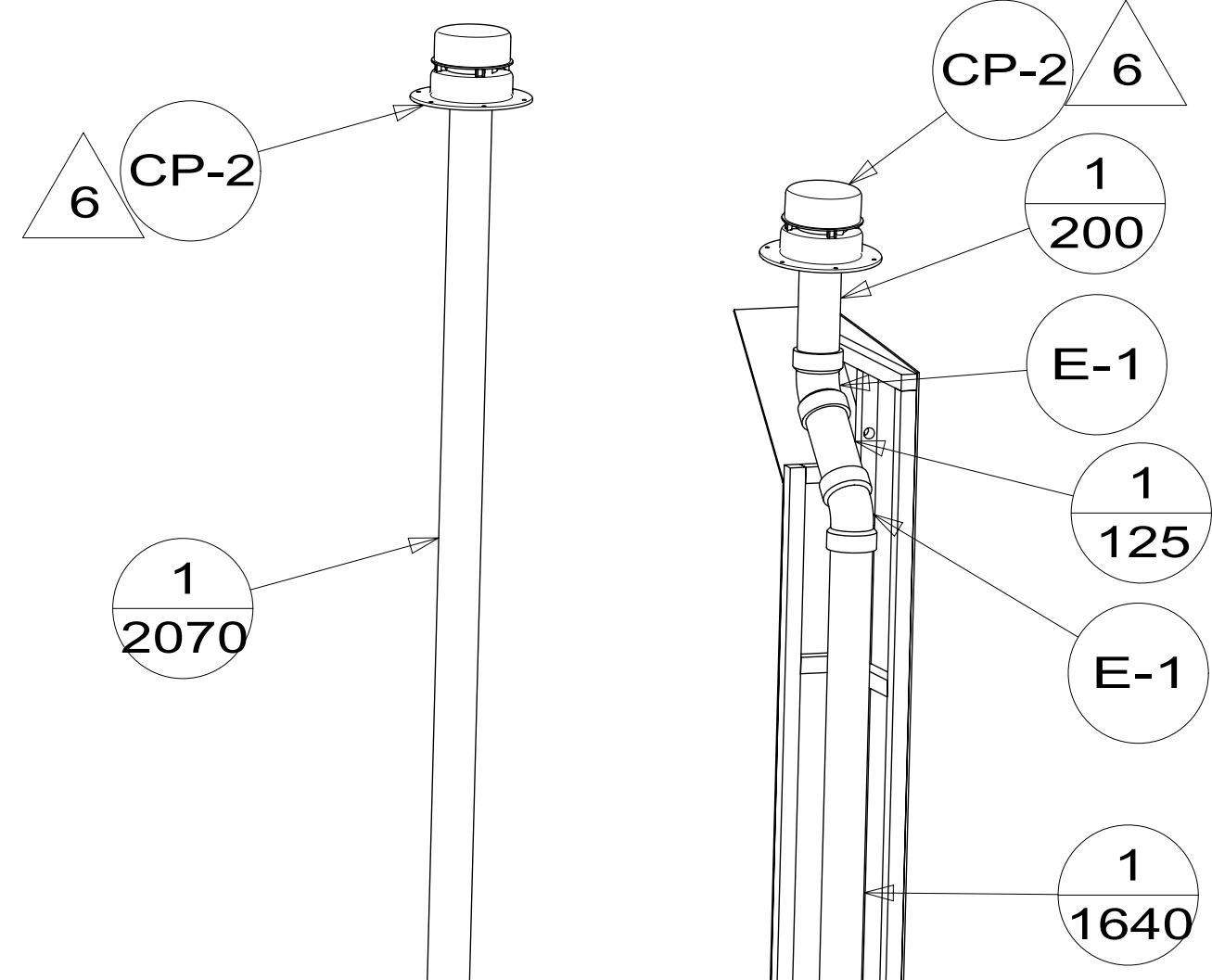
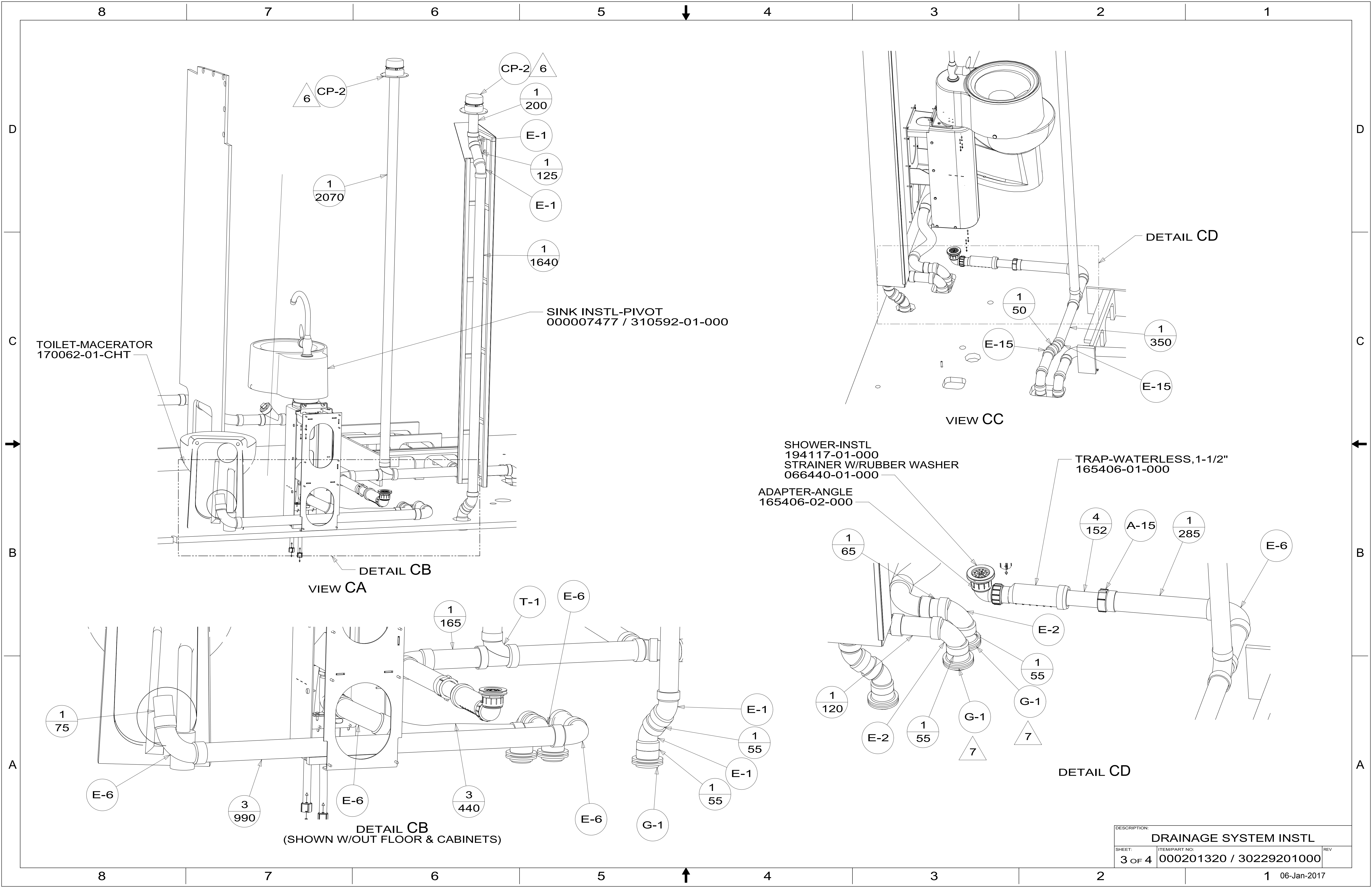
- NOTES:
12. REPLACE SUPPLIED STUD AND WINGNUT WITH FASTENER AND INSTALL WITH SUPPLIED RETAINING ANGLE.
 11. PREP THE SURFACE PER MANUFACTURERS INSTRUCTIONS BEFORE APPLYING THE HEATING PAD.
 10. SEE WIRING INSTL-BODY FOR ELECTRICAL CONNECTION.
 9. SEE DRAWING 061607 FOR INSTALLATION OF GROMMETS.
 8. SECURE DRAINAGE PIPES TO CABINET USING WIRE TIE 108046-02-000, AND SCREW 000G67-10-12U AT INTERVALS OF NOT OF NOT MORE THAN 4 FEET APART.
 7. SECURE VENT PIPE TO FLOOR WITH CLAMP 062401-02-000 (2), SCREW 000G67-10-12U (2), BRACKET 136878-01-CHT (2).
 6. VENT PIPE MUST PROJECT 51 MIN AND 64 MAX ABOVE ROOF FOR PROPER FIT AND FUNCTION. ADD S-1 (116666-01-CHT SEAL-VENT PIPE) AROUND PIPE ON ROOF BEFORE VENT CAP IS INSTALLED.
 5. SEAL AROUND SHOWER WITH SILICONE.
 4. USE SMOOTH PLUMBERS PUTTY 167459-01-000 TO SEAL STRAINER (0.2 PER STRAINER).
 3. ALL PIPE AND FITTINGS TO BE ASSEMBLED WITH SOLVENT 004020-01-000 (USA), 004020-02-000 (CAN)
 2. SLOPE OF TRAP ARM MUST BE 6 PER 305 mm.
 1. SLOPE OF HORIZONTAL PIPING TO BE MINIMUM OF 3 PER 305 mm.

23T DRAINAGE SYSTEM-HEATED
 265 CODES/STANDARDS-CSA/CMVSS
 1B1 CODES/STANDARDS USA

WINNEBAGO [®]		COPYRIGHT 2016 WINNEBAGO INDUSTRIES, INC.	
DSNR:		ALL DIMENSIONS ARE IN MILLIMETERS	
DIFTR:			
UNSPECIFIED TOLERANCES:		MATERIAL:	
WHOLE DIM (X)	3		
ONE-PLACE (X.X)	1.5		
TWO-PLACE (X.XX)	0.50		
ANGLE	1°		
REFER TO ES0018 FOR FASTENER TIGHTENING GUIDELINES	WEIGHT: (LBS)	FIRST USED: (REF)	17 524G
DESCRIPTION: DRAINAGE SYSTEM INSTL			
SHEET:	ITEM/PART NO.:	REV:	
1 OF 4	000201320 / 30229201000		
REF:		1 06-Jan-2017	

X-X
 FOR DRAINAGE CALLOUTS
 SEE DWG NO.
 000211962 /
 303370-01-000



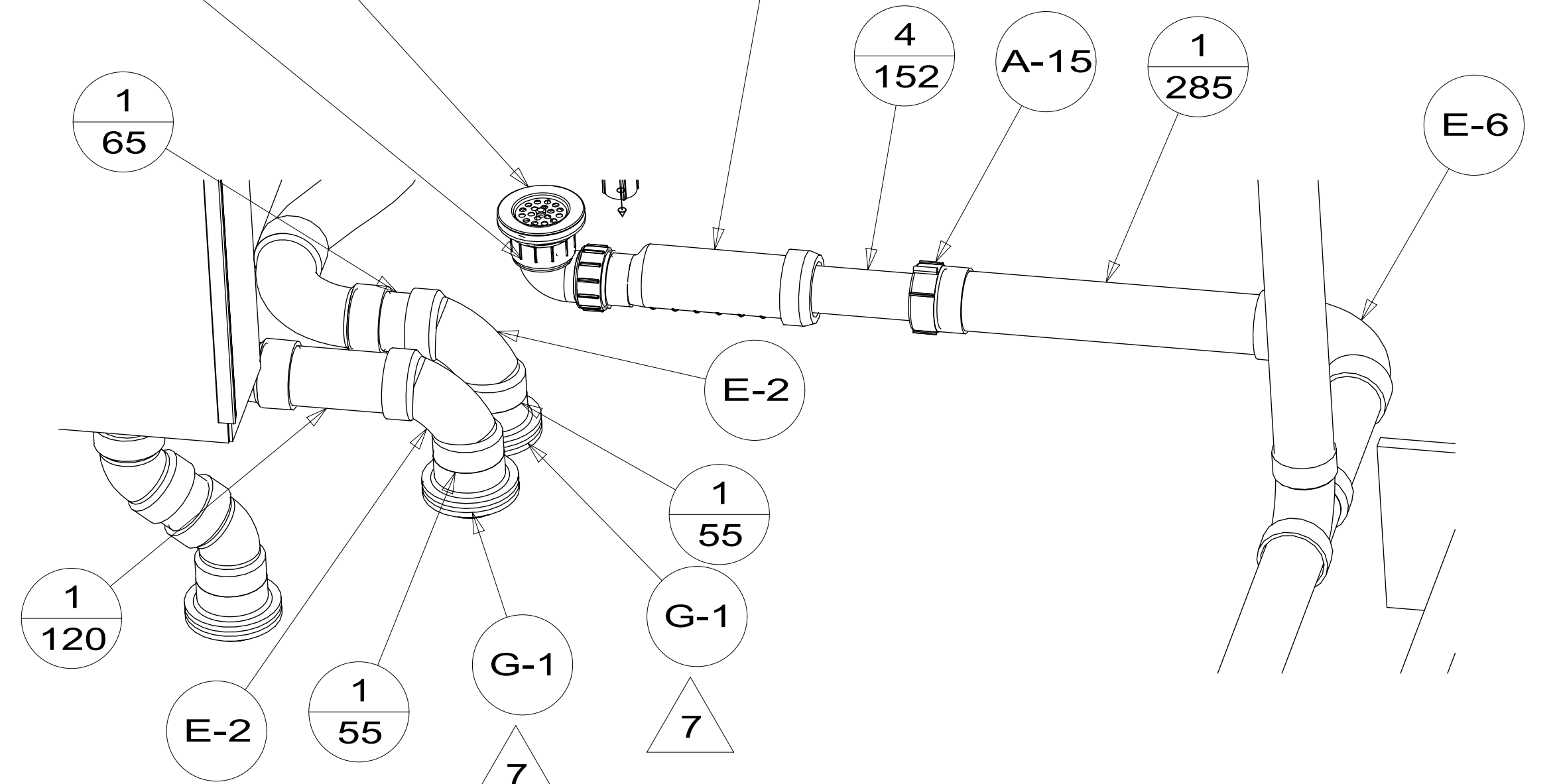


VIEW CC

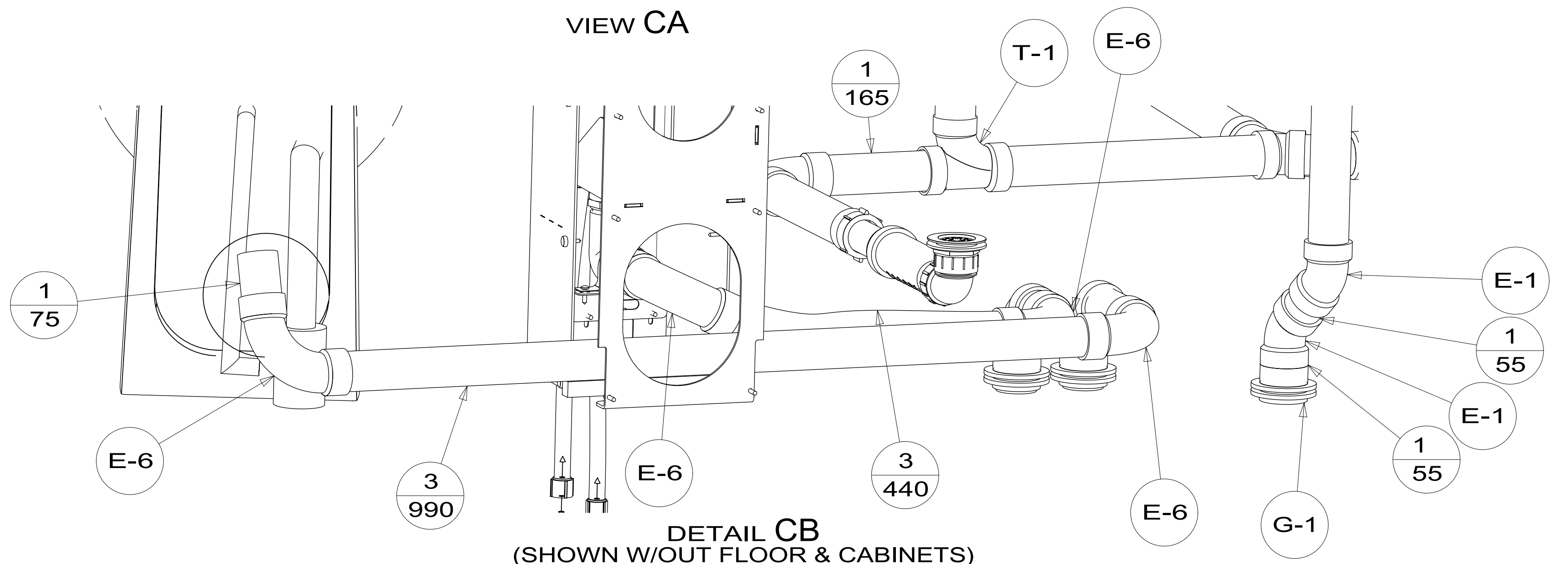
SHOWER-INSTL
194117-01-000
STRAINER W/RUBBER WASHER
066440-01-000

ADAPTER-ANGLE
165406-02-000

TRAP-WATERLESS, 1-1/2"
165406-01-000

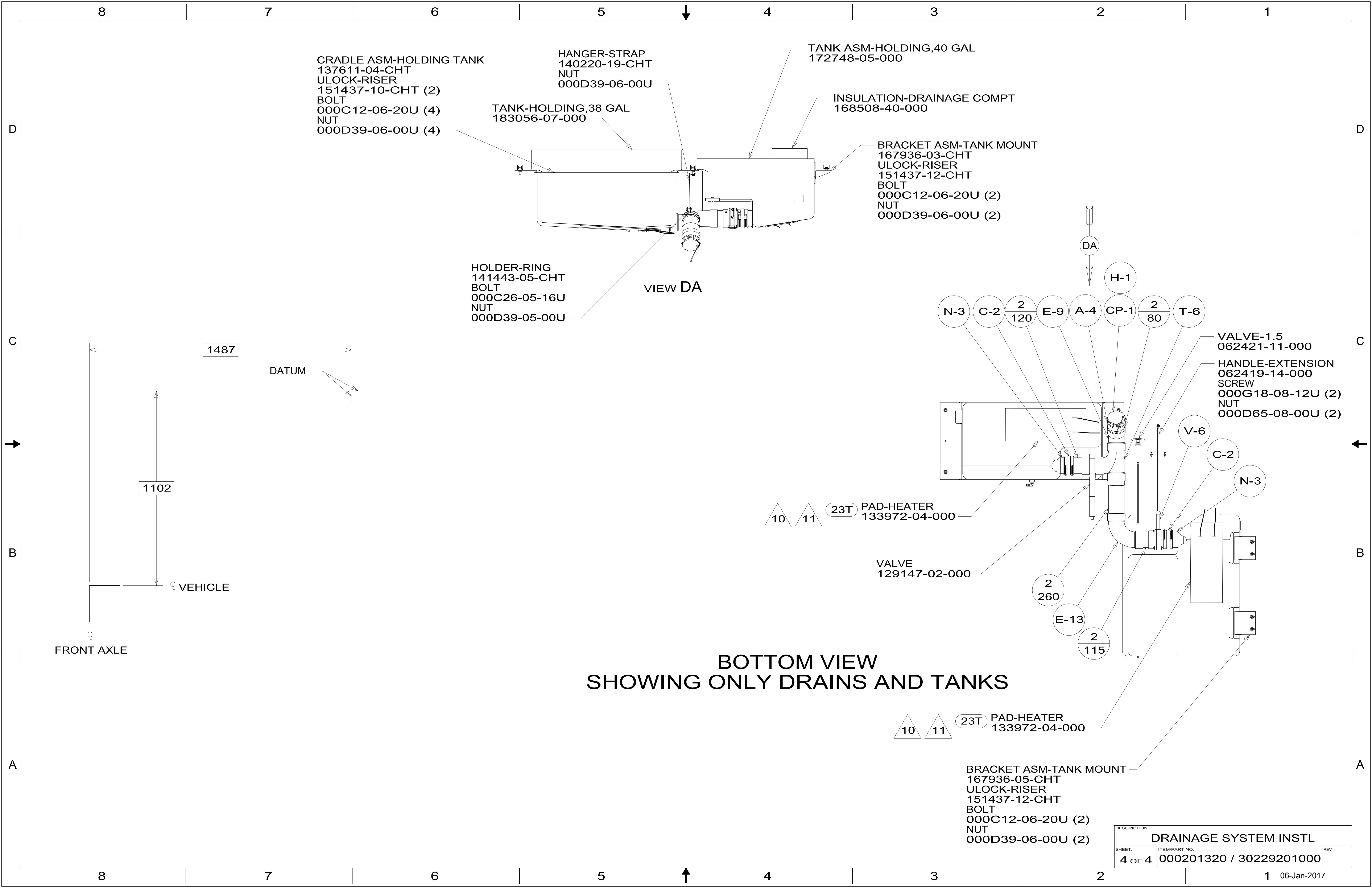


DETAIL CD



DETAIL CB
(SHOWN W/OUT FLOOR & CABINETS)

DESCRIPTION: DRAINAGE SYSTEM INSTL		
SHEET: 3 OF 4	ITEM/PART NO: 000201320 / 30229201000	REV
		1 06-Jan-2017



**BOTTOM VIEW
SHOWING ONLY DRAINS AND TANKS**

DESCRIPTION: DRAINAGE SYSTEM INSTL		
SHEET: 4 OF 4	ITEM/PART NO: 000201320 / 30229201000	REV