

FRONT
OF
COACH

CA

BB

BB

BA

- 9. SEE DRAWING 061607 FOR INSTALLATION OF GROMMETS.
- 8. SECURE DRAINAGE PIPES TO CABINET USING WIRE TIE 108046-02-000, AND SCREW 000G67-10-12U AT INTERVALS OF NOT OF NOT MORE THAN 4 FEET APART.
- 7. SECURE VENT PIPE TO FLOOR WITH CLAMP 062401-02-000 (3), SCREW 000G67-10-12U (3), BRACKET 136878-01-CHT (3).
- 6. VENT PIPE MUST PROJECT 51 MIN AND 64 MAX ABOVE ROOF FOR PROPER FIT AND FUNCTION. ADD S-1 (116666-01-CHT SEAL-VENT PIPE) AROUND PIPE ON ROOF BEFORE VENT CAP IS INSTALLED.
- 5. SEAL AROUND SHOWER WITH SILICONE.
- 4. USE SMOOTH PLUMBERS PUTTY 167459-01-000 TO SEAL STRAINER (0.2 PER STRAINER).
- 3. ALL PIPE AND FITTINGS TO BE ASSEMBLED WITH SOLVENT 004020-01-000 (USA), 004020-02-000 (CAN)
- 2. SLOPE OF TRAP ARM MUST BE 6 PER 305 mm.
- 1. SLOPE OF HORIZONTAL PIPING TO BE MINIMUM OF 3 PER 305 mm.

265 CODES/STDS-CSA/CMVSS

1B1 CODES/STANDARDS-USA



DSNR:		ALL DIMENSIONS ARE IN MILLIMETERS	
DIFFR:		MATERIAL:	
UNSPECIFIED TOLERANCES:			
WHOLE DIM (X)	3		
ONE-PLACE (X.X)	1.5		
TWO-PLACE (X.XX)	0.50		
ANGLE	1°		
REFER TO ES0018 FOR FASTENER TIGHTENING GUIDELINES		WEIGHT: (LBS)	FIRST USED: (REF)
			16 E30T
DESCRIPTION:			
DRAINAGE SYSTEM INSTL			
SHEET:	ITEM/PART NO.:	REV	
1 OF 4	00021962 / 30040001000		

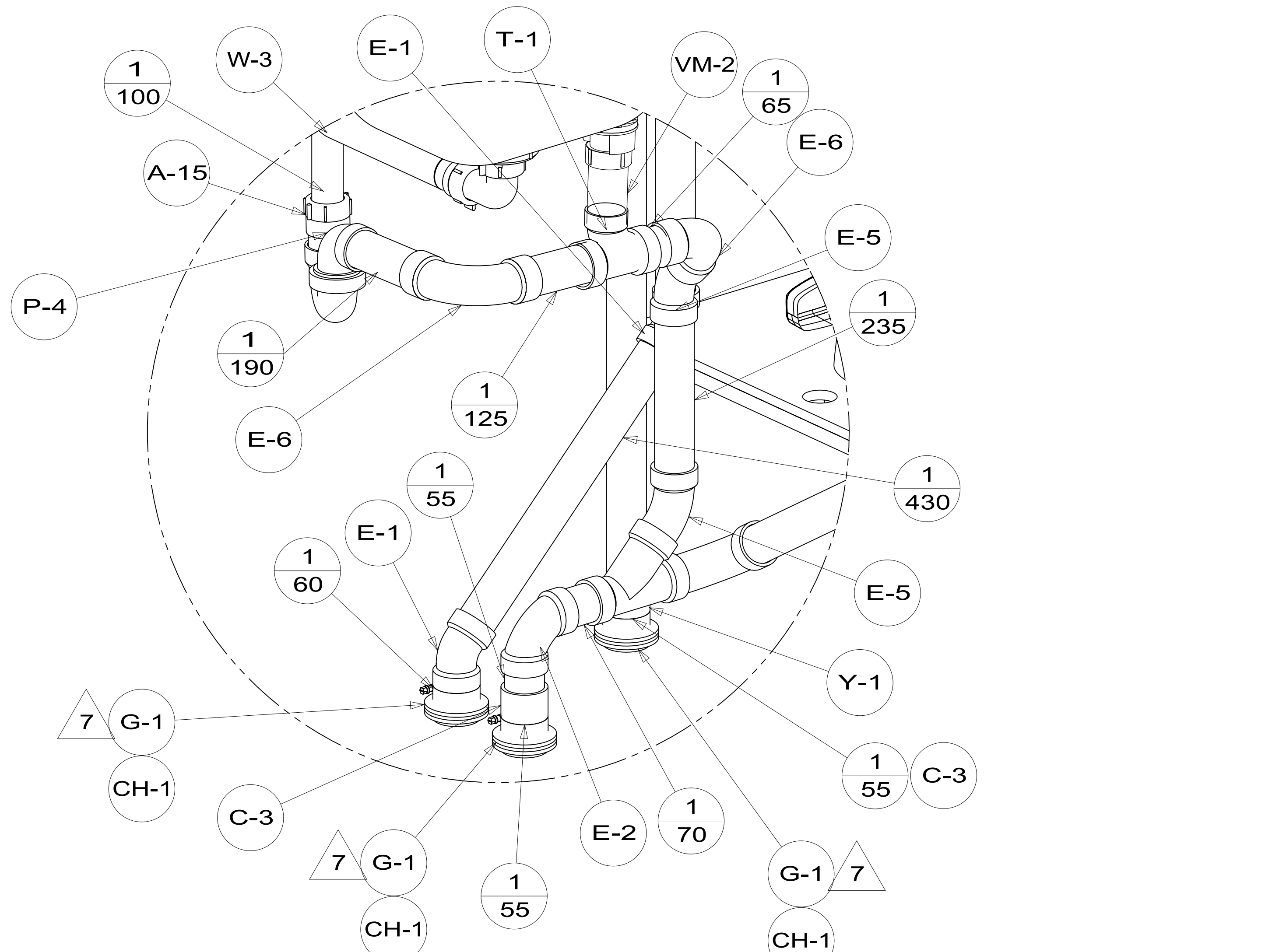
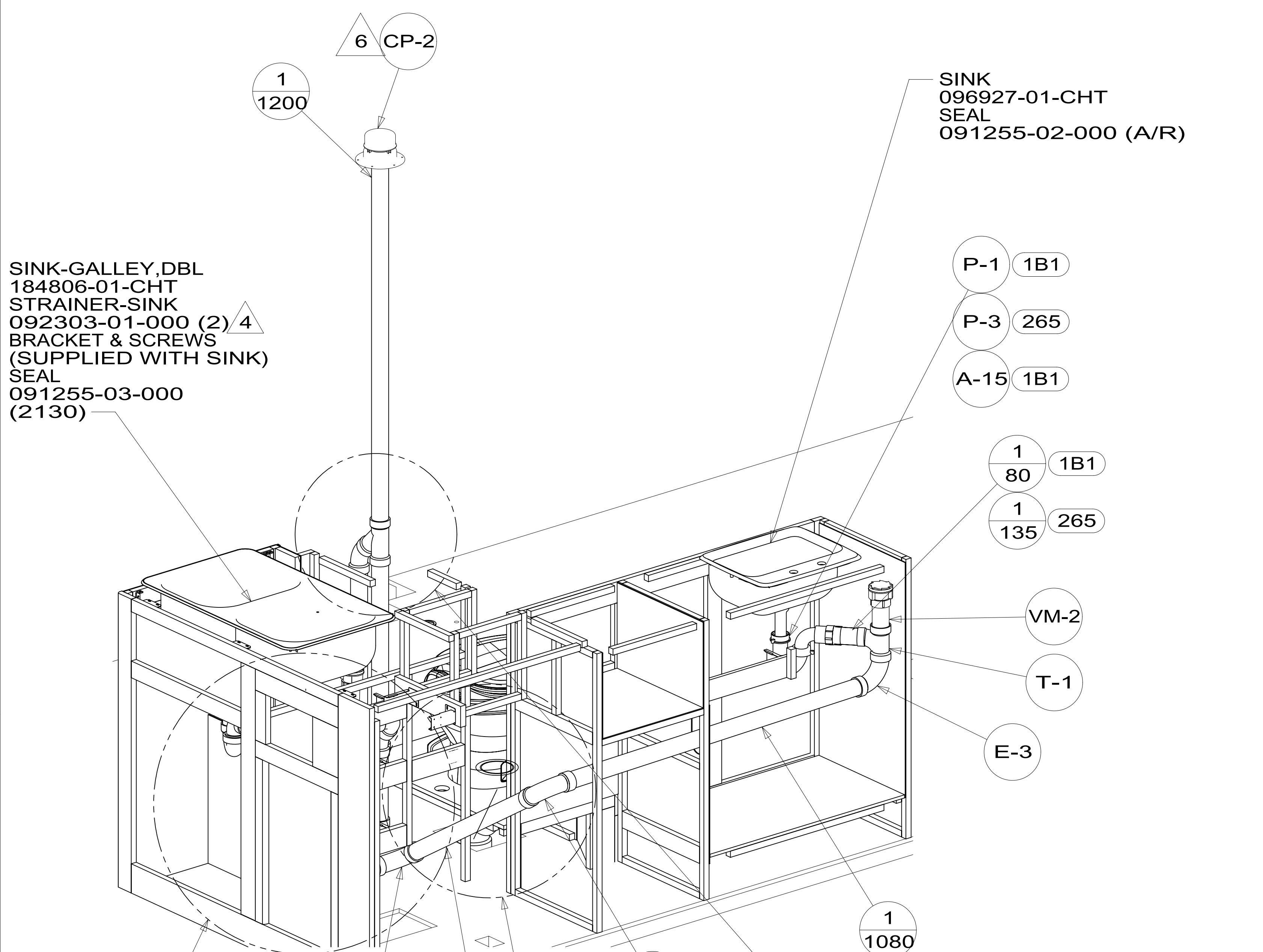
FOR
DRAINAGE
CALLOUTS
SEE DWG NO.
00021962 /
303370-01-000

X-X

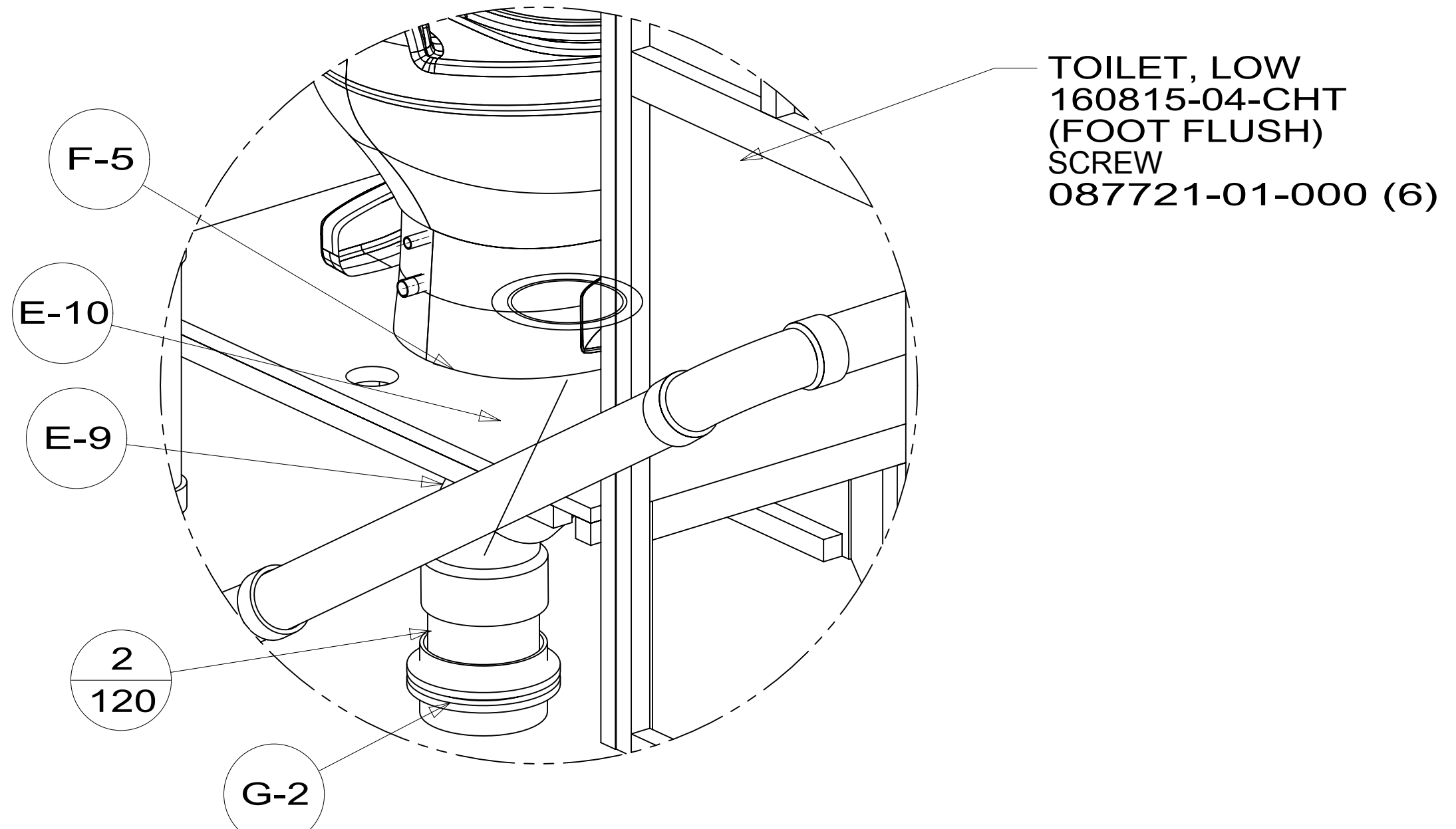
NOTES:

SINK-GALLEY, DBL
 184806-01-CHT
 STRAINER-SINK
 092303-01-000 (2) 4
 BRACKET & SCREWS
 (SUPPLIED WITH SINK)
 SEAL
 091255-03-000
 (2130)

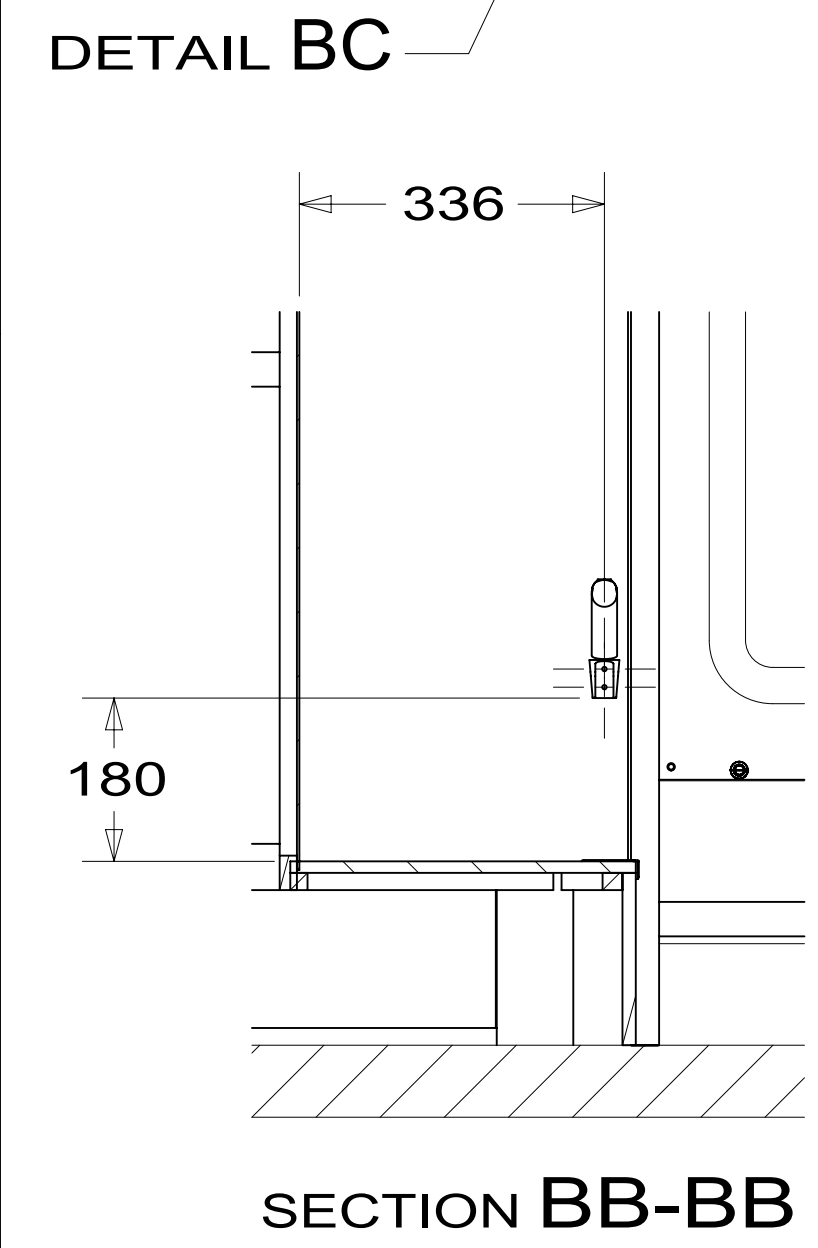
SINK
 096927-01-CHT
 SEAL
 091255-02-000 (A/R)



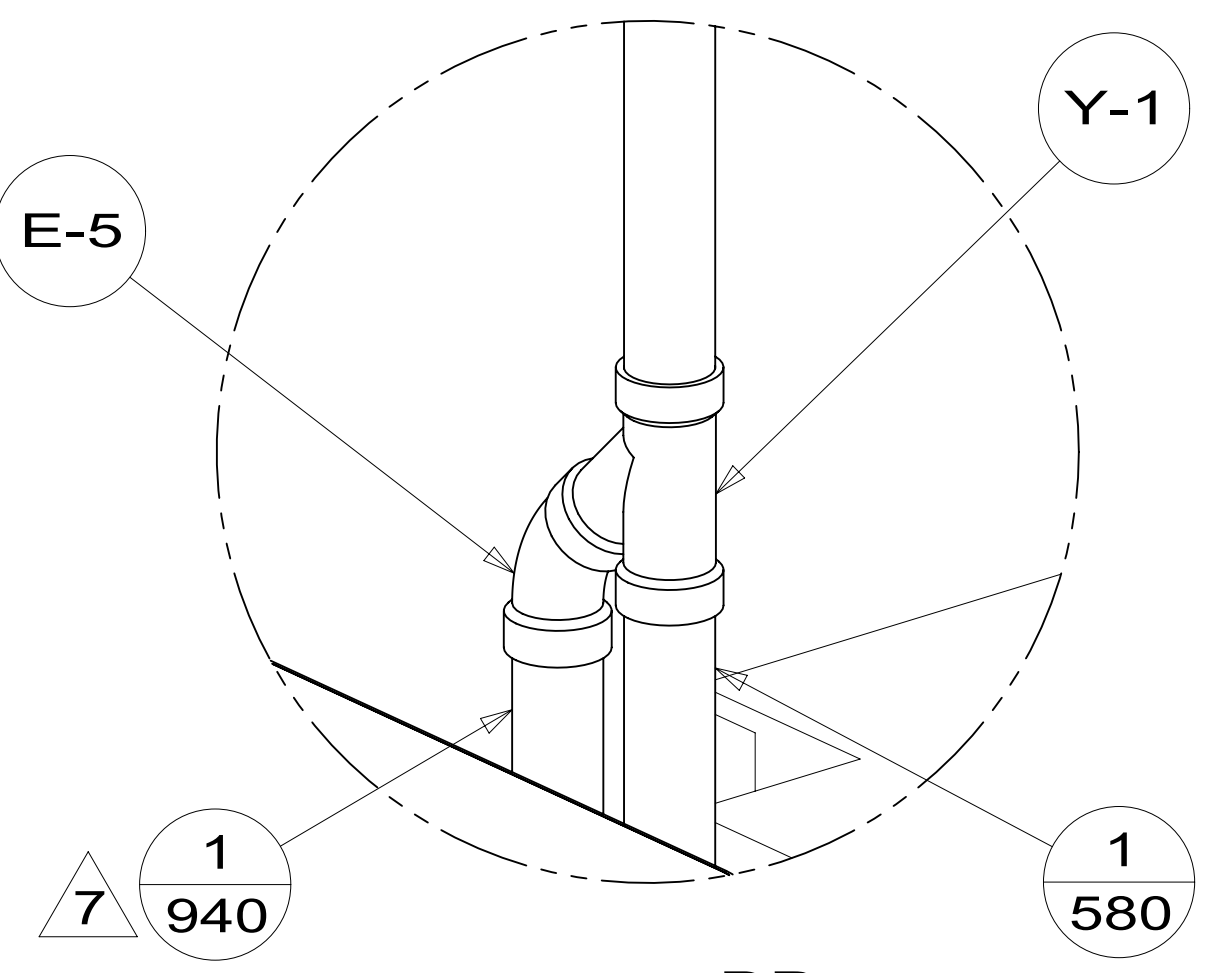
DETAIL BC
 (SHOWN W/OUT CABINETS AND FLOOR)



DETAIL BE
 (SHOWN W/OUT CABINETS AND FLOOR)



VIEW BA



DETAIL BD
 (SHOWN W/OUT CABINETS)

DESCRIPTION: DRAINAGE SYSTEM INSTL		
SHEET: 2 OF 4	ITEM/PART NO: 000200529 / 30040001000	REV

8

7

6

5



4

3

2

1

D

D

C

C

B

B

A

A

DETAIL CB

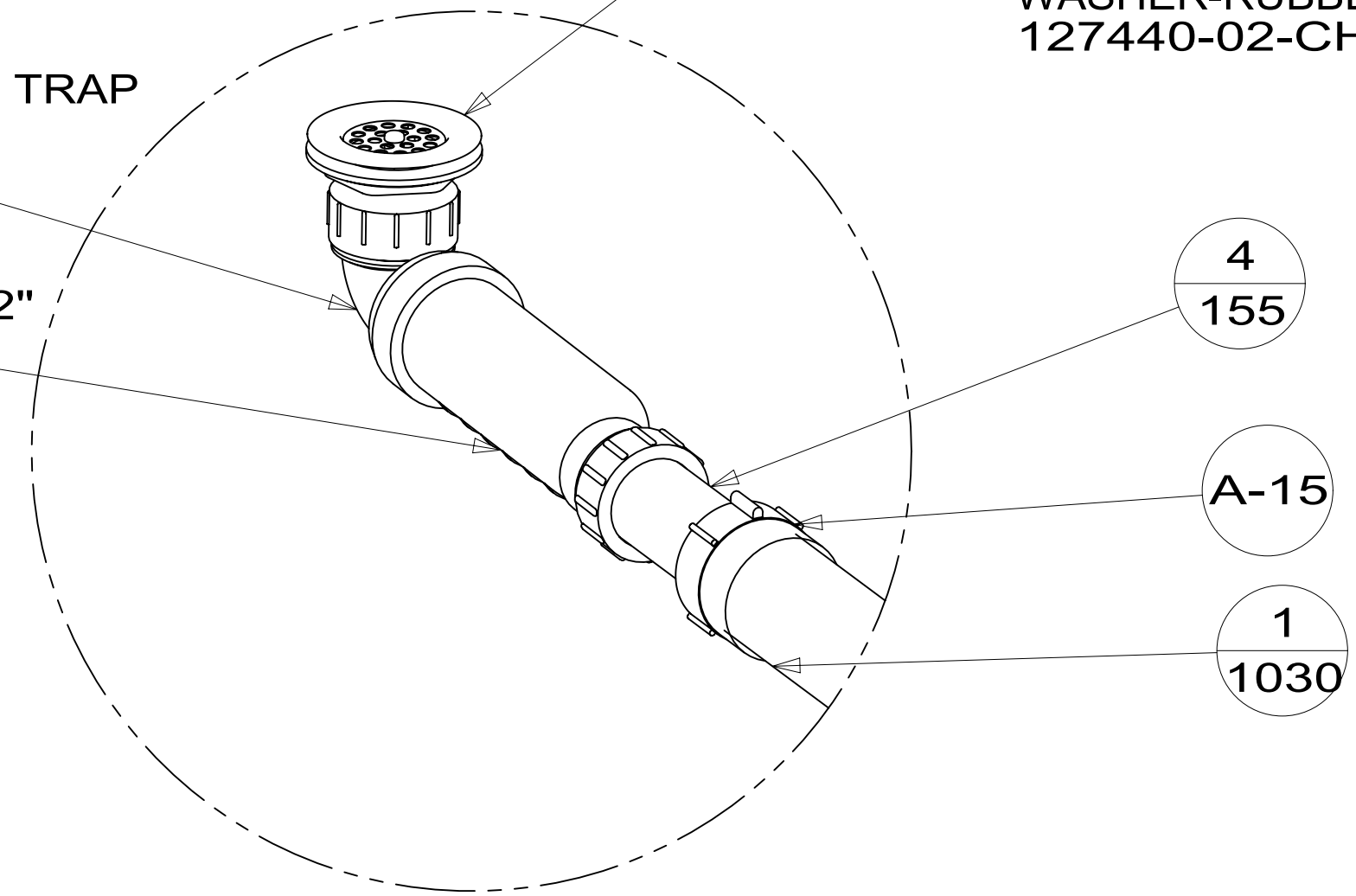
DETAIL CC

VIEW CA

ADAPTER-ANGLE, WATERLESS TRAP
165406-02-000

TRAP-WATERLESS, 1-1/2"
165406-01-000

SHOWER INSTL-ENCLOSURE
189050-04-000
STRAINER
066440-01-000
SEALER
069640-01-000
WASHER-RUBBER
127440-02-CHT

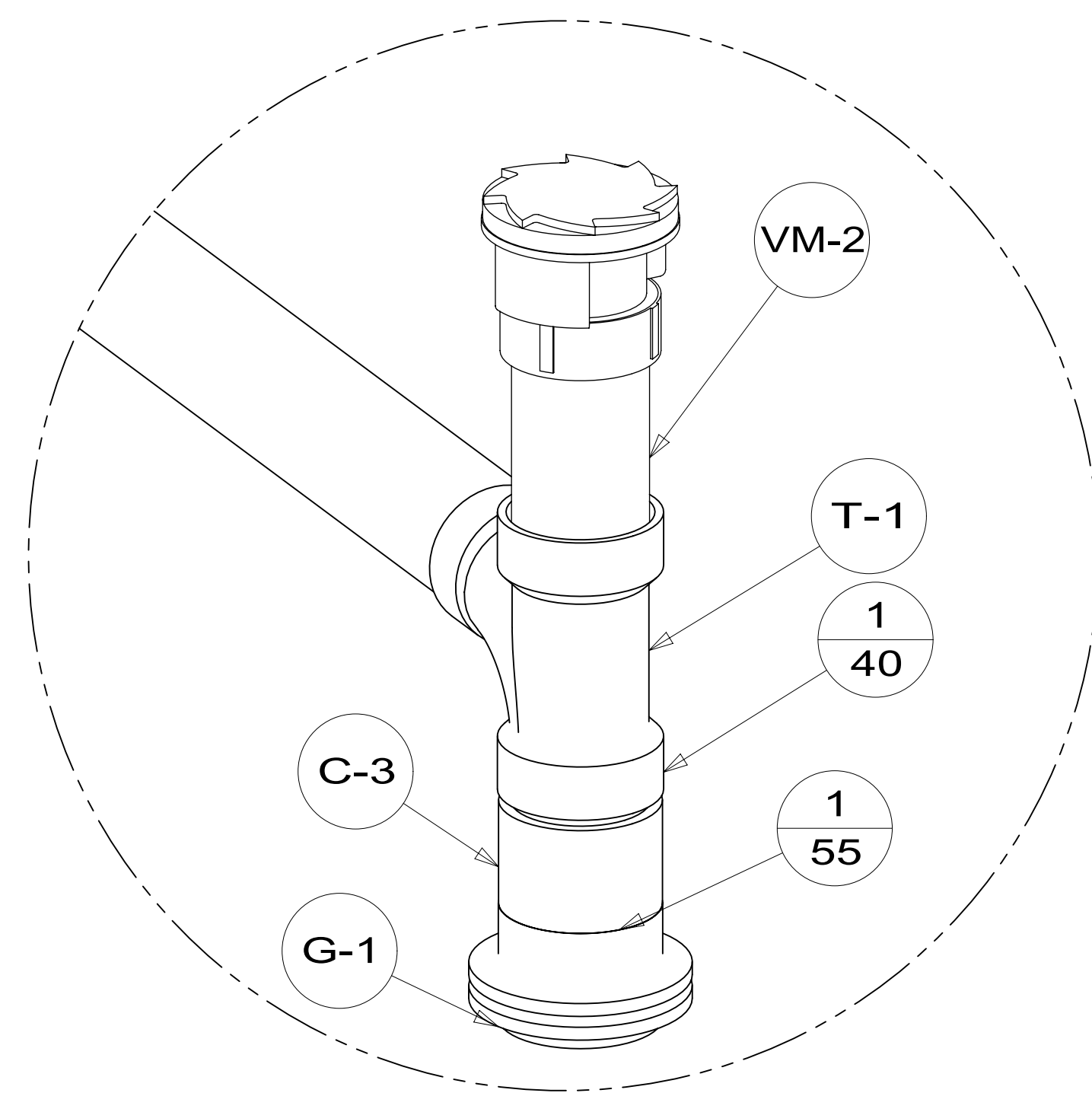


4
155

A-15

1
1030

DETAIL CB
(SHOWN W/OUT SHOWER PAN AND FLOOR)



VM-2

T-1

1
40

1
55

C-3

G-1

DETAIL CC
(SHOWN W/OUT CABINETS AND FLOOR)

DESCRIPTION: DRAINAGE SYSTEM INSTL		
SHEET: 3 OF 4	ITEM/PART NO: 000200529 / 30040001000	REV

8

7

6

5



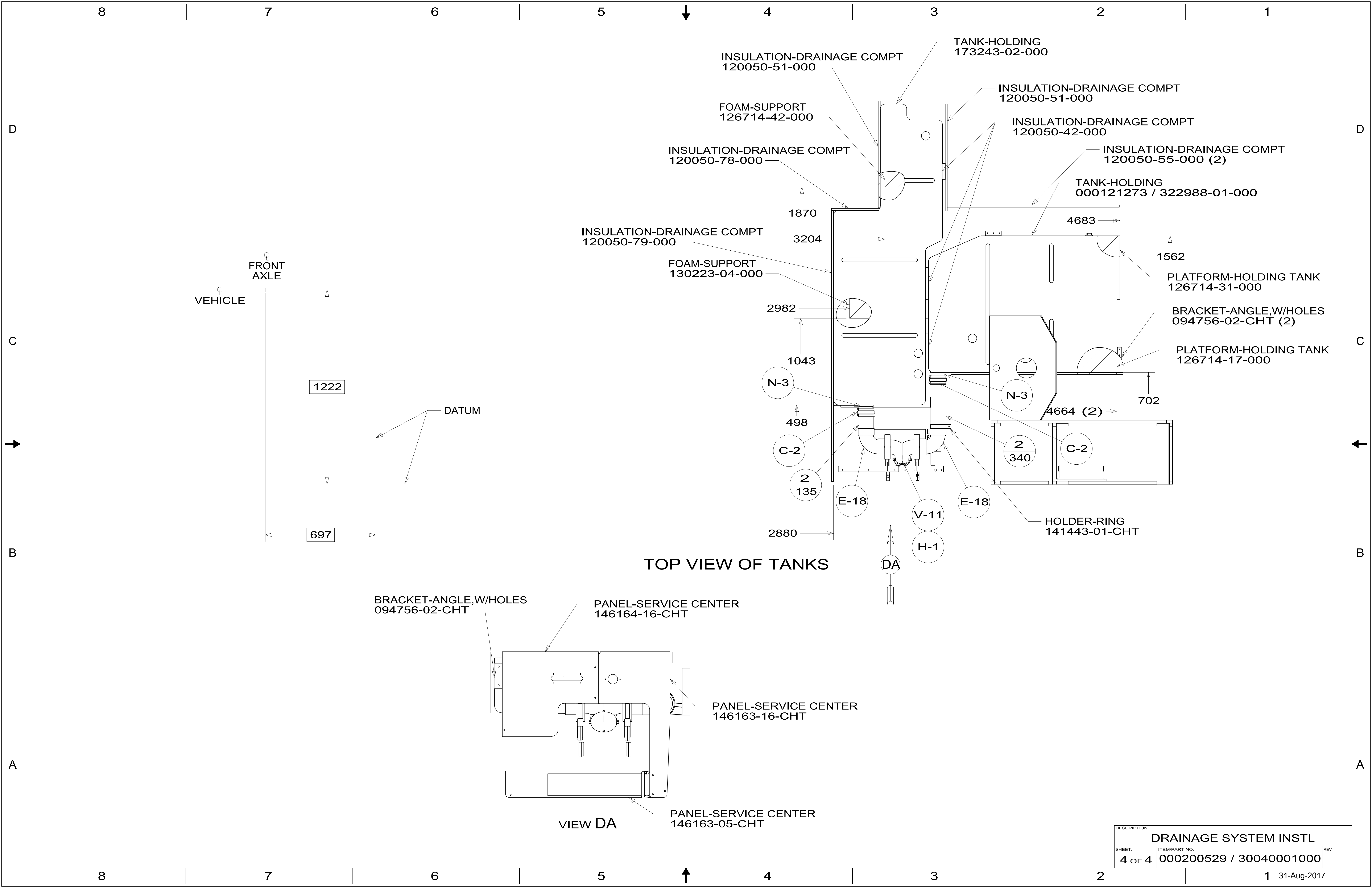
4

3

2

1

1 31-Aug-2017



TOP VIEW OF TANKS

VIEW DA

DESCRIPTION:		
DRAINAGE SYSTEM INSTL		
SHEET:	ITEM/PART NO.:	REV
4 OF 4	000200529 / 30040001000	
		1 31-Aug-2017