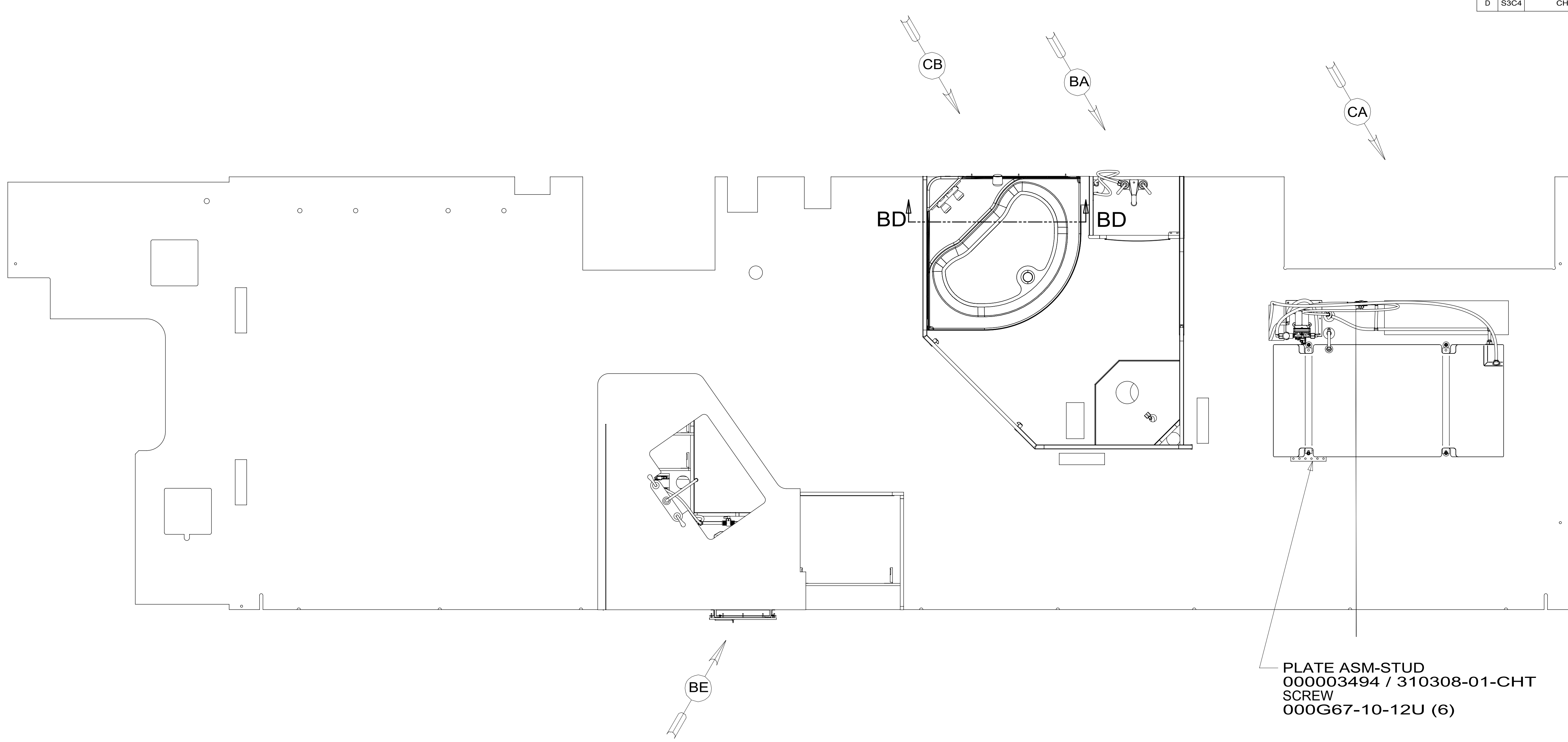


REV	ZONE	REVISION RECORD	DATE	DFTR-ORIG
A	---	INITIAL RELEASE	11/02/15	3660
B	S1B2	CHG 192404-02-CHT TO 310308-01-CHT	01/11/16	7786-6181
C	ALL	UPDATED DRAWING TO SHOW FAUCET MOVE	07/15/16	3650-7487
D	S3C4	CHG PANEL-SERVICE CENTER	05/09/17	7786-4634



10. FASTEN PLATFORM TO FLOOR AFTER SIDEWALL IS SET AND HEATER IS ATTACHED TO WALL.
9. ALL CRIMP FITTINGS TO 3/4" PEX TUBING REQUIRE 3/4" CLAMP 140171-05-000.
8. ALL CRIMP FITTINGS TO 1/2" PEX TUBING REQUIRE 1/2" CLAMP 140171-03-000.
7. ALL CRIMP FITTINGS TO 5/8" FLEX TUBING REQUIRE 5/8" CLAMP 140171-04-000.
6. LABEL HOT AND COLD SUPPLY TUBES AND TAPE FITTING TO TUBE BEFORE CABINET SET TO PREVENT MOVEMENT.
5. ADD PIPE WRAP (LADDER SCRAP 110157-02-000) INSULATION.
4. ADD TEFLON TAPE 010405-02-000.
3. ALL TUBING TO BE SECURED AT 1200 INTERVALS MAXIMUM WITH CLAMP 010495-01-000 AND SCREW 000G67-10-12U OR EQUIVALENT.
2. TUBING TO BE INSTALLED WITH SUFFICIENT SLOPE TO PROVIDE DRAINAGE TO NEAREST VALVE.
1. PLASTIC FITTINGS TO BE SEALED WITH SEALANT 084456-01-000.

PLATE ASM-STUD
000003494 / 310308-01-CHT
SCREW
000G67-10-12U (6)

X-X
FOR WATER CALLOUTS SEE DWG NO. 116230-01-000

WINNEBAGO
COPYRIGHT 2017 WINNEBAGO INDUSTRIES, INC.

DSNR:	ALL DIMENSIONS ARE IN MILLIMETERS	
DFTR:	MATERIAL:	
UNSPECIFIED TOLERANCES:	WHOLE DIM (X) :	3
	ONE-PLACE (X.X) :	1.5
	TWO-PLACE (X.XX) :	0.50
	ANGLE :	1°
REFER TO ES0018 FOR FASTENER TIGHTENING GUIDELINES	WEIGHT: (LBS)	FIRST USED: (REF)
DESCRIPTION: WATER SYSTEM INSTL		
SHEET: 1 OF 3	ITEM/PART NO: 000200441 / 30012501000	REV

FAUCET-LAV, DUAL CONTROL
186417-01-CHT

FAUCET-GALLEY
191983-01-CHT

DETAIL BB

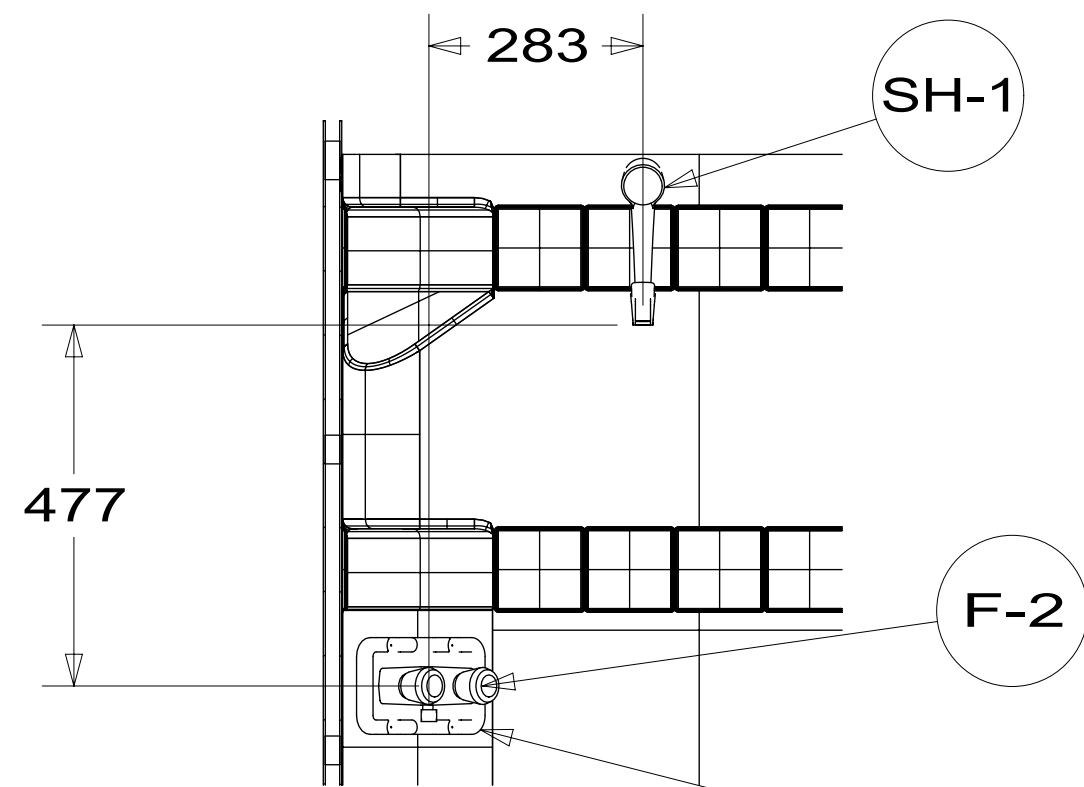
DETAIL BC

VIEW BA

VIEW BE

DETAIL BB
(SHOWN W/OUT CABINETS)

DETAIL BC
(SHOWN W/OUT CABINETS & FLOOR)



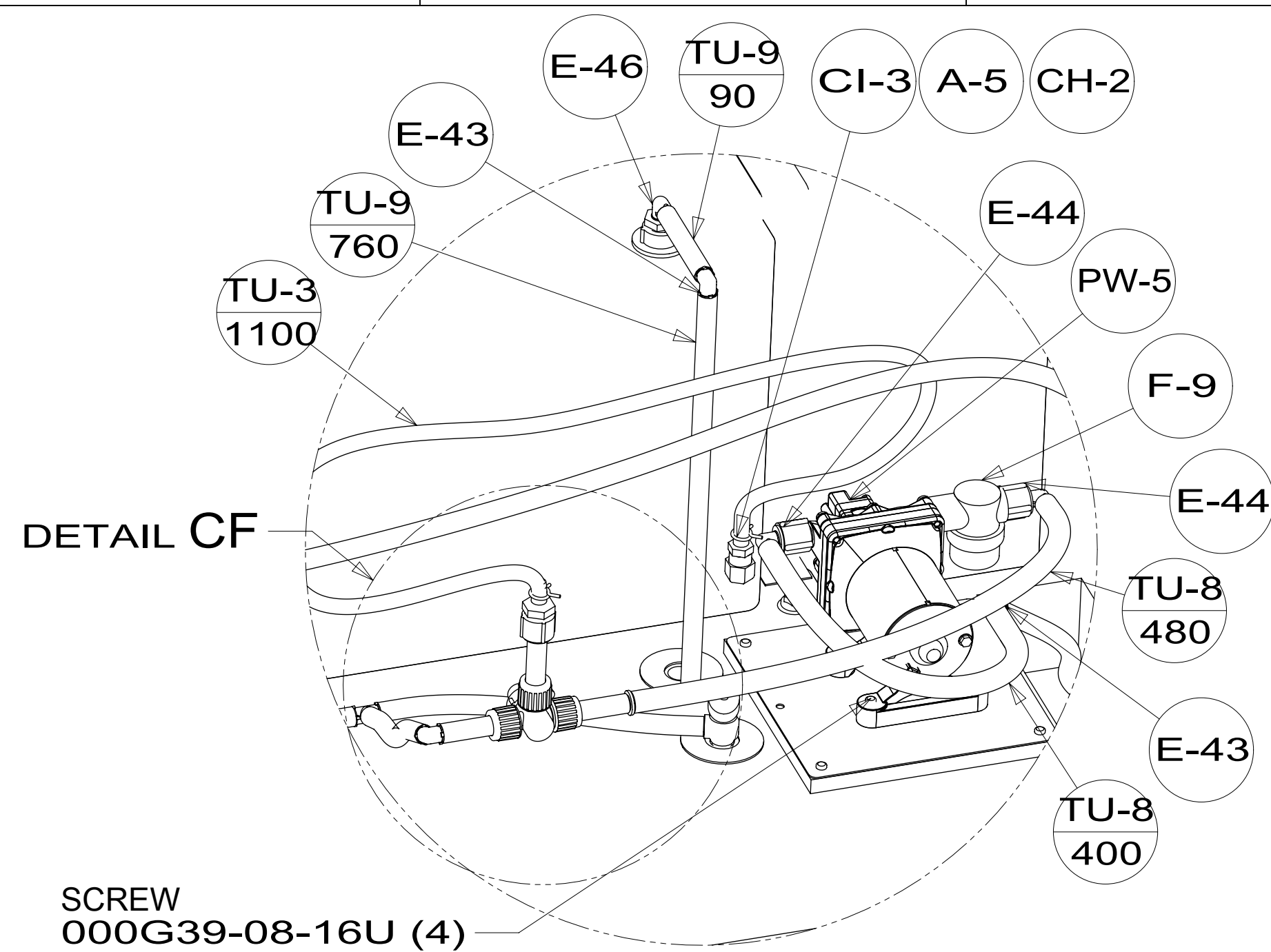
SECTION BD-BD

PANEL-SHOWER
167738-02-CHT
NUT-SPEED-U
040921-05-000 (4)

CLAMP
010495-04-000 (2)
SCREW
000G67-10-10U (2)

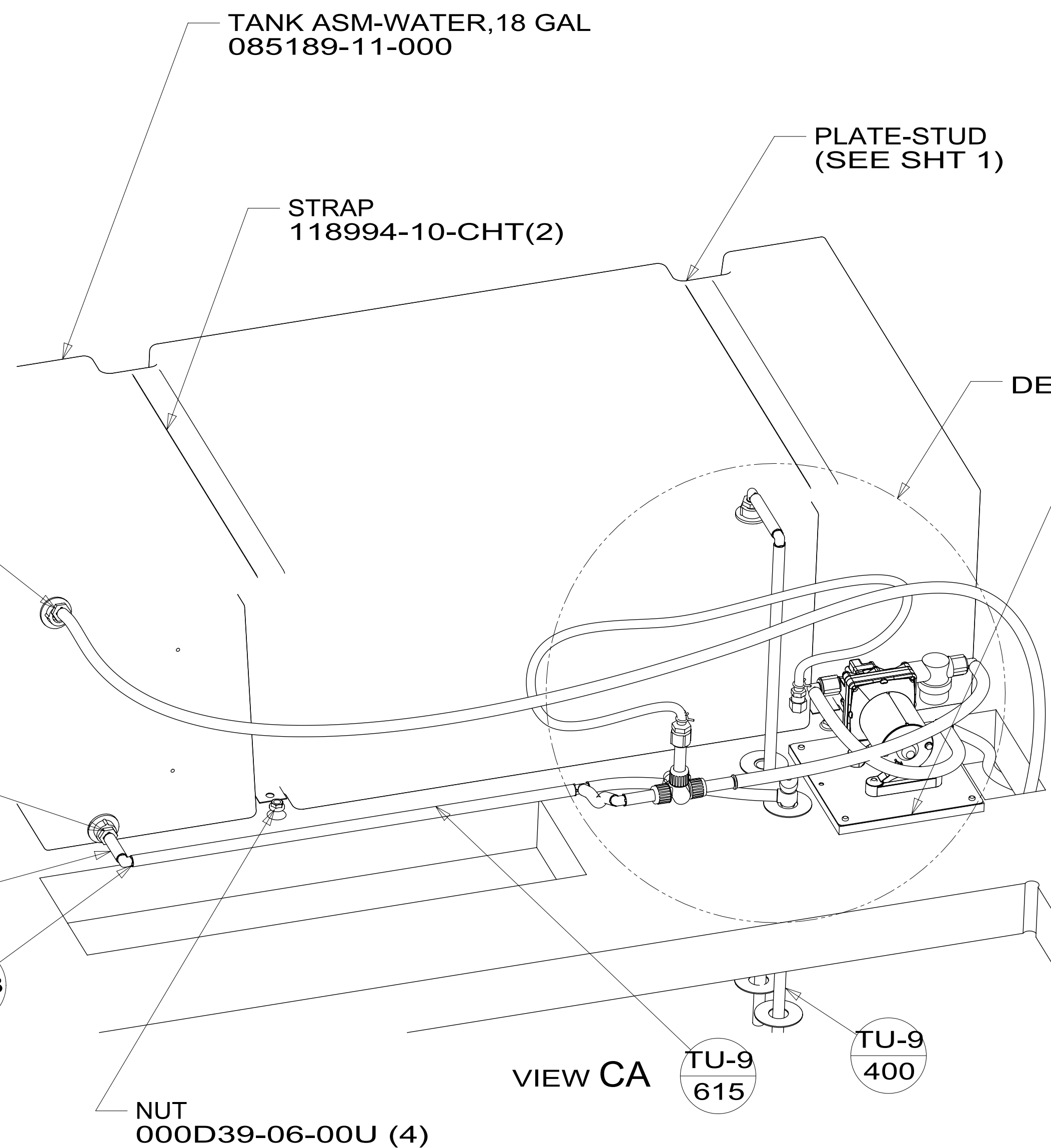
WATER HEATER INSTL
186899-04-000
PLATFORM ASM-WATER
184166-03-000
CABLE
076767-03-000
SCREW
000G11-06-08U(2)

DESCRIPTION:		
WATER SYSTEM INSTL		
SHEET:	ITEM/PART NO.:	REV
2 OF 3	000200441 / 30012501000	



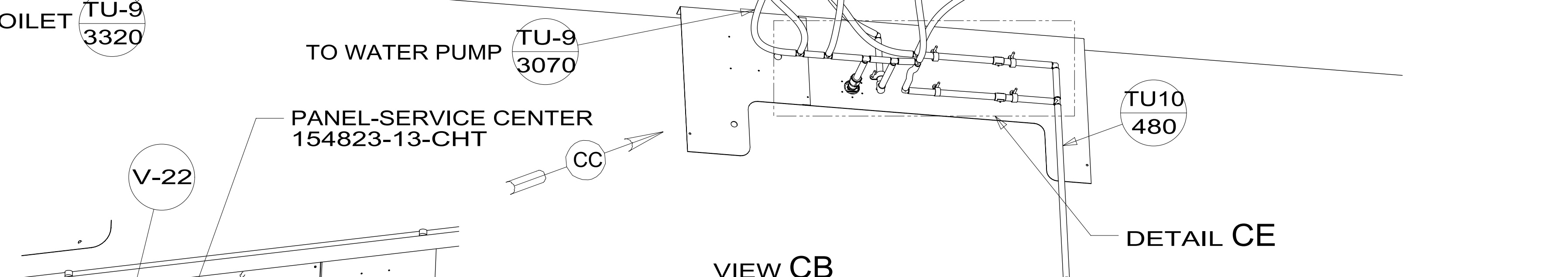
SCREW
000G39-08-16U (4)

DETAIL CD

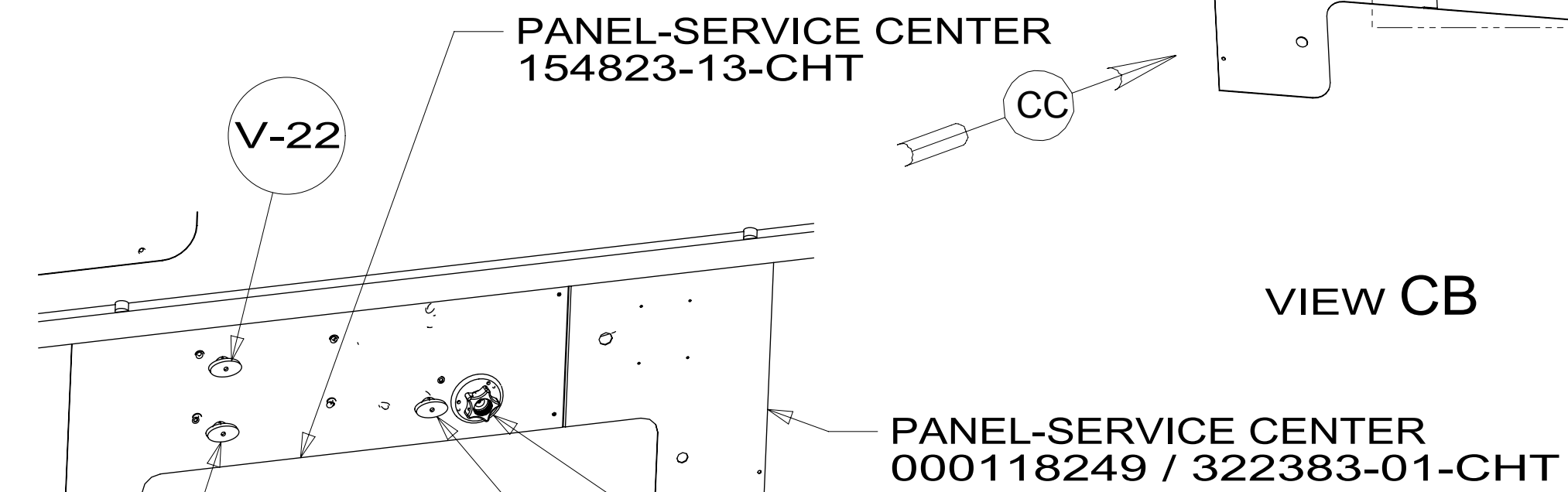


VIEW CA

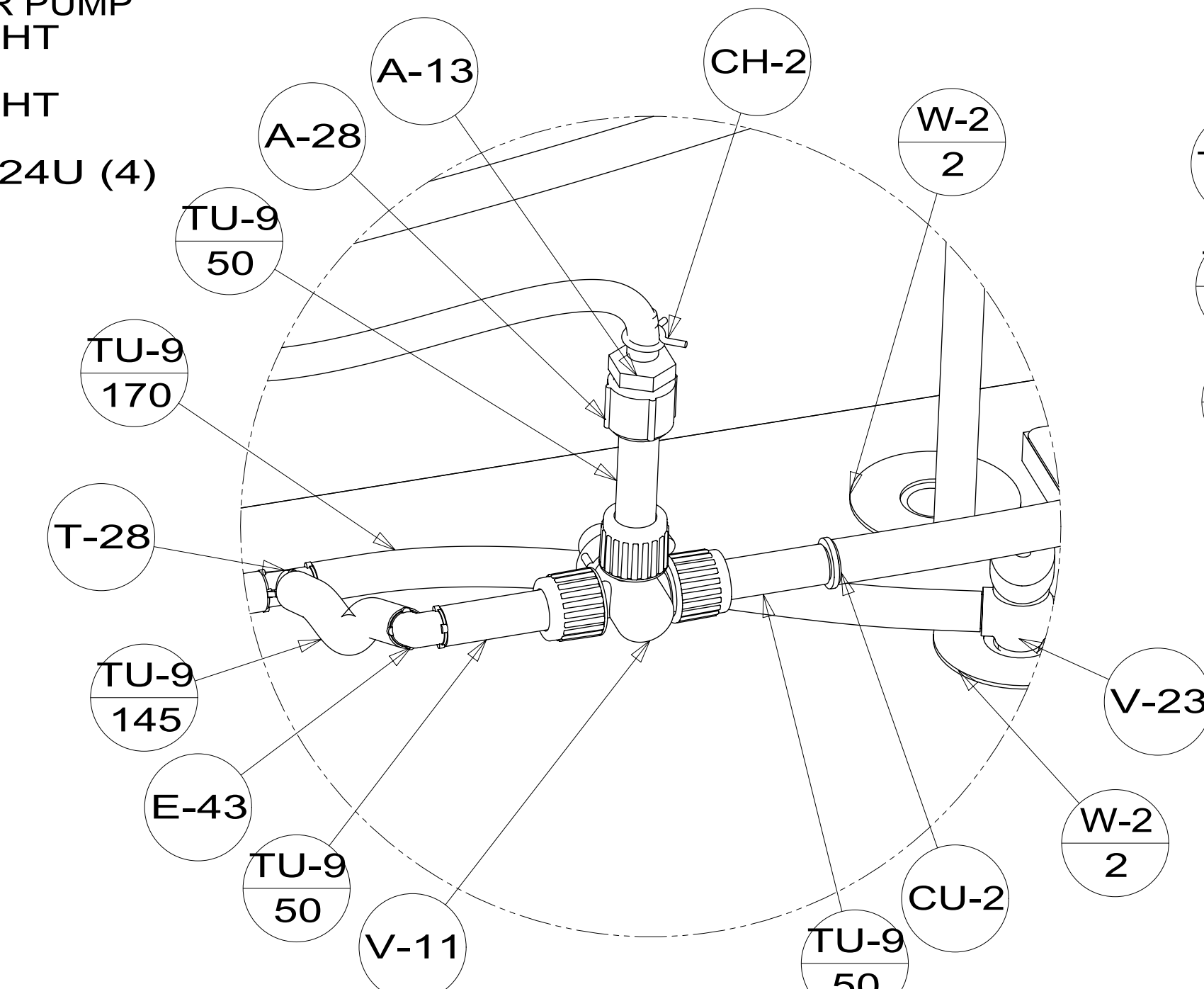
PANEL-WATER PUMP
149477-04-CHT
FOAM-PAD
140364-01-CHT
SCREW
000G39-08-24U (4)



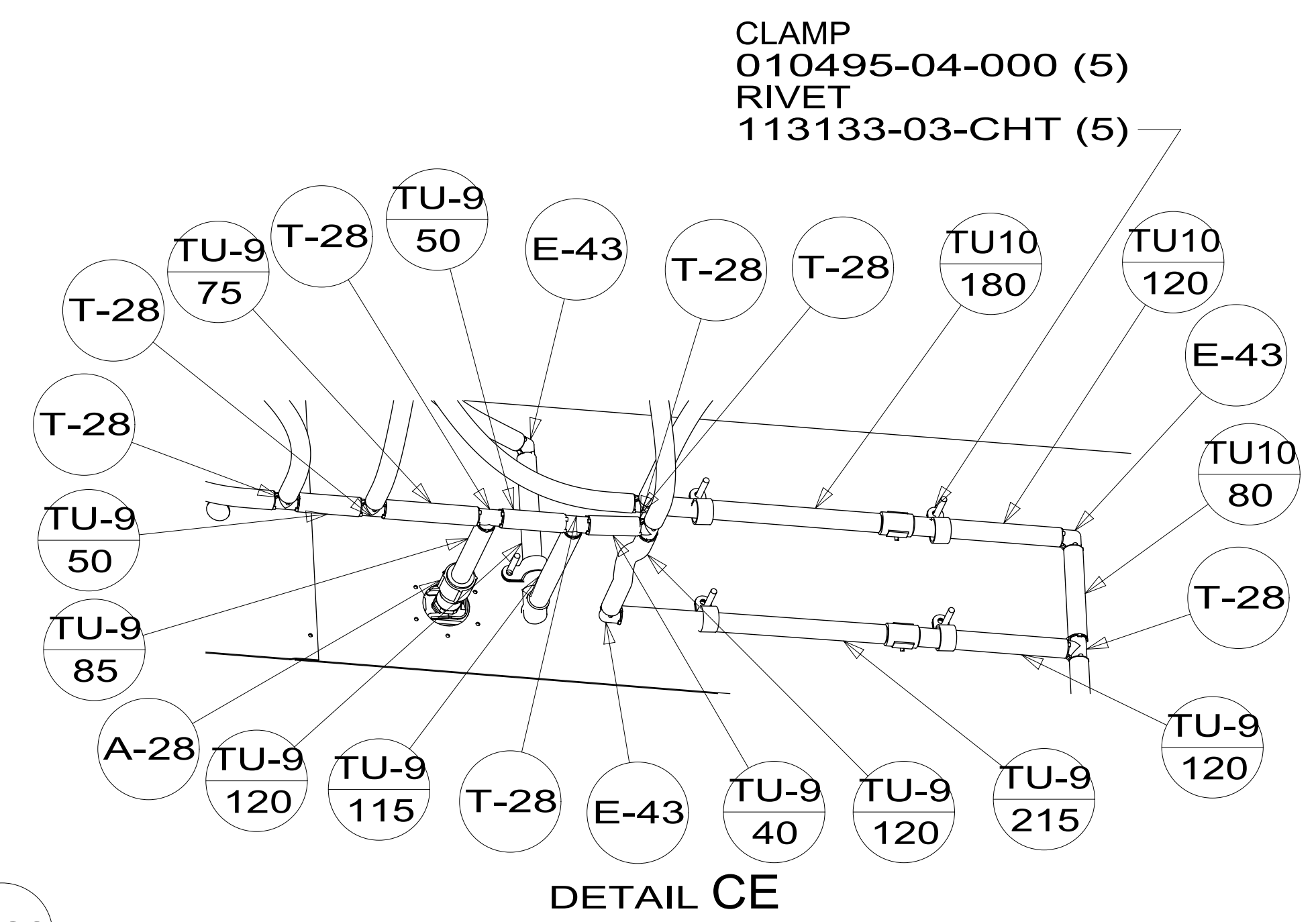
VIEW CB



VIEW CC



DETAIL CF



DETAIL CE

DESCRIPTION:		
WATER SYSTEM INSTL		
SHEET:	ITEM/PART NO:	REV
3 OF 3	000200441 / 30012501000	