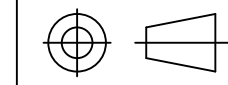
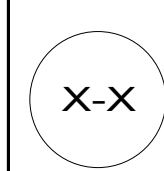


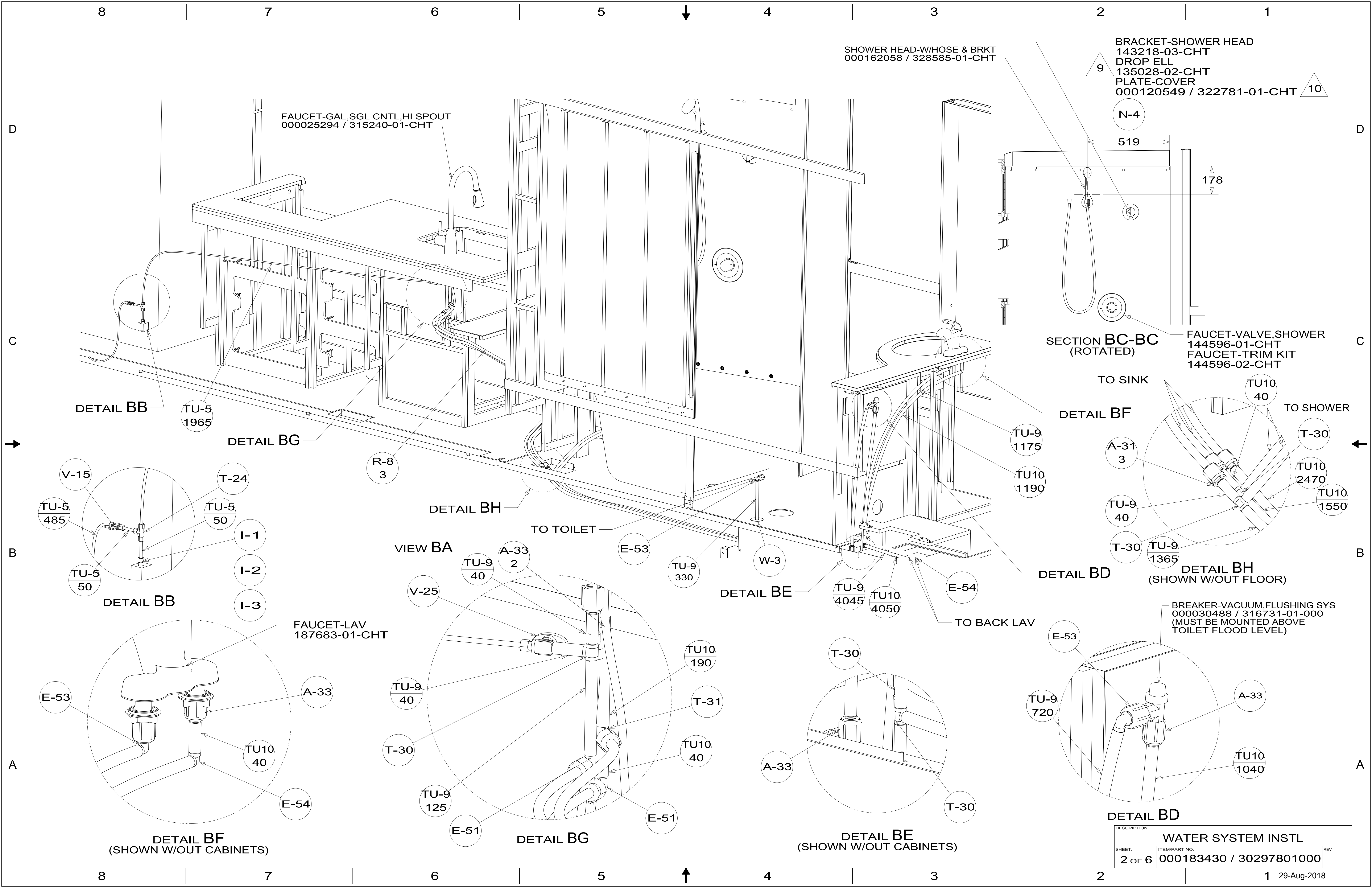
- 21M WASHER/DRYER PREP
- 21S WASHER & DRYER-PAIR

WINNEBAGO [®]		COPYRIGHT 2018 WINNEBAGO INDUSTRIES, INC.	
DSNR:		ALL DIMENSIONS ARE IN MILLIMETERS	
DFTR:			
UNSPECIFIED TOLERANCES:	MATERIAL:		
WHOLE DIM (X) ± 3			
ONE-PLACE (X.X) ± 1.5			
TWO-PLACE (X.XX) ± 0.50			
ANGLE ± 1°			
REFER TO ES0018 FOR FASTENER TIGHTENING GUIDELINES		WEIGHT: (LBS)	FIRST USED: (REF)
			17 L38W
DESCRIPTION: WATER SYSTEM INSTL			
SHEET: 1 OF 6	ITEM/PART NO: 000183430 / 30297801000	REV:	



 FOR WATER CALLOUTS
 SEE DWG NO.
 000209446 /
 303369-01-000

NOTES:



FAUCET-GAL, SGL CNTL, HI SPOUT
00025294 / 315240-01-CHT

SHOWER HEAD-W/HOSE & BRKT
000162058 / 328585-01-CHT

BRACKET-SHOWER HEAD
143218-03-CHT
DROP ELL
135028-02-CHT
PLATE-COVER
000120549 / 322781-01-CHT

SECTION BC-BC
(ROTATED)
FAUCET-VALVE, SHOWER
144596-01-CHT
FAUCET-TRIM KIT
144596-02-CHT

FAUCET-LAV
187683-01-CHT

BREAKER-VACUUM, FLUSHING SYS
000030488 / 316731-01-000
(MUST BE MOUNTED ABOVE
TOILET FLOOD LEVEL)

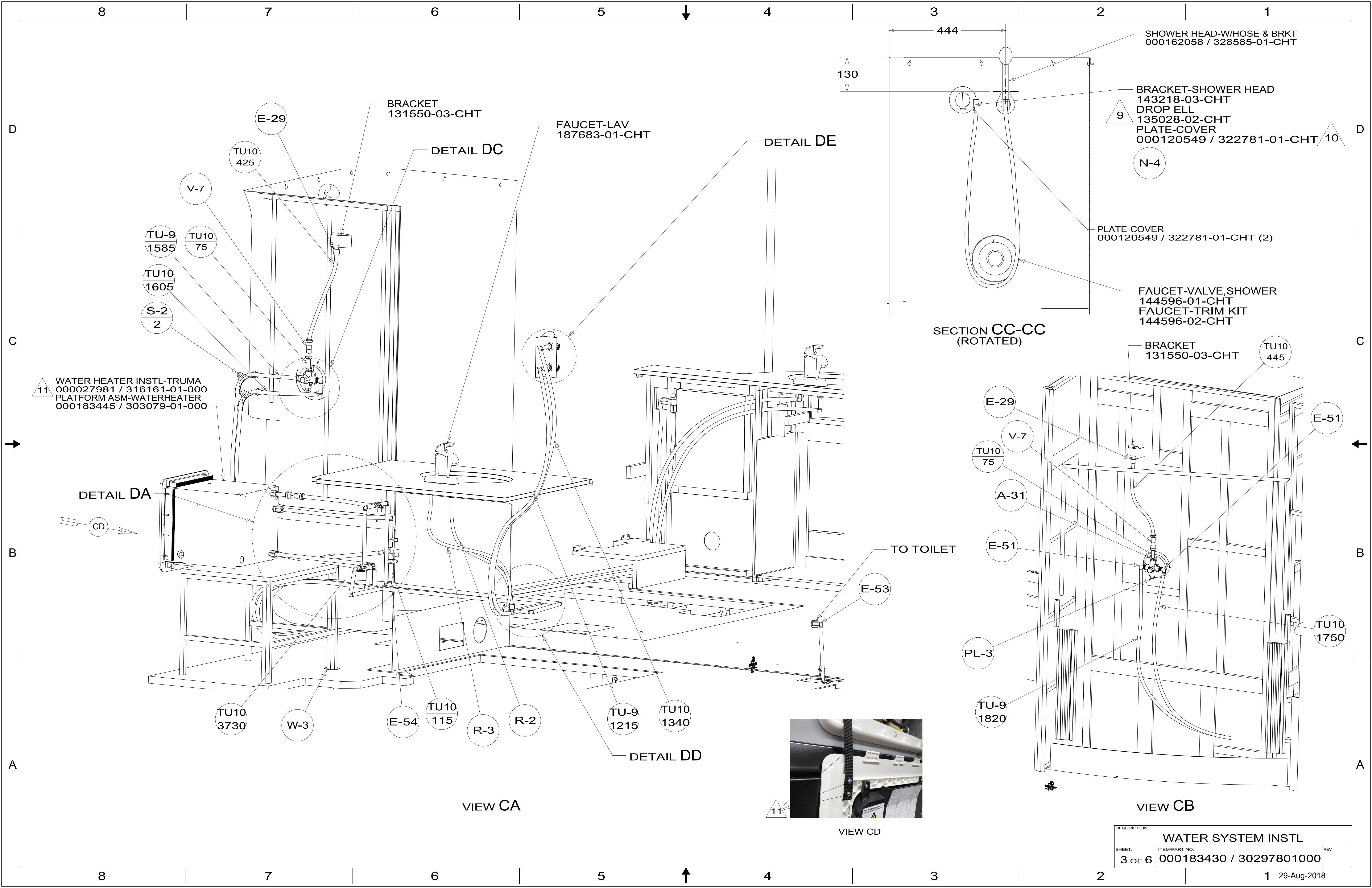
DETAIL BF
(SHOWN W/OUT CABINETS)

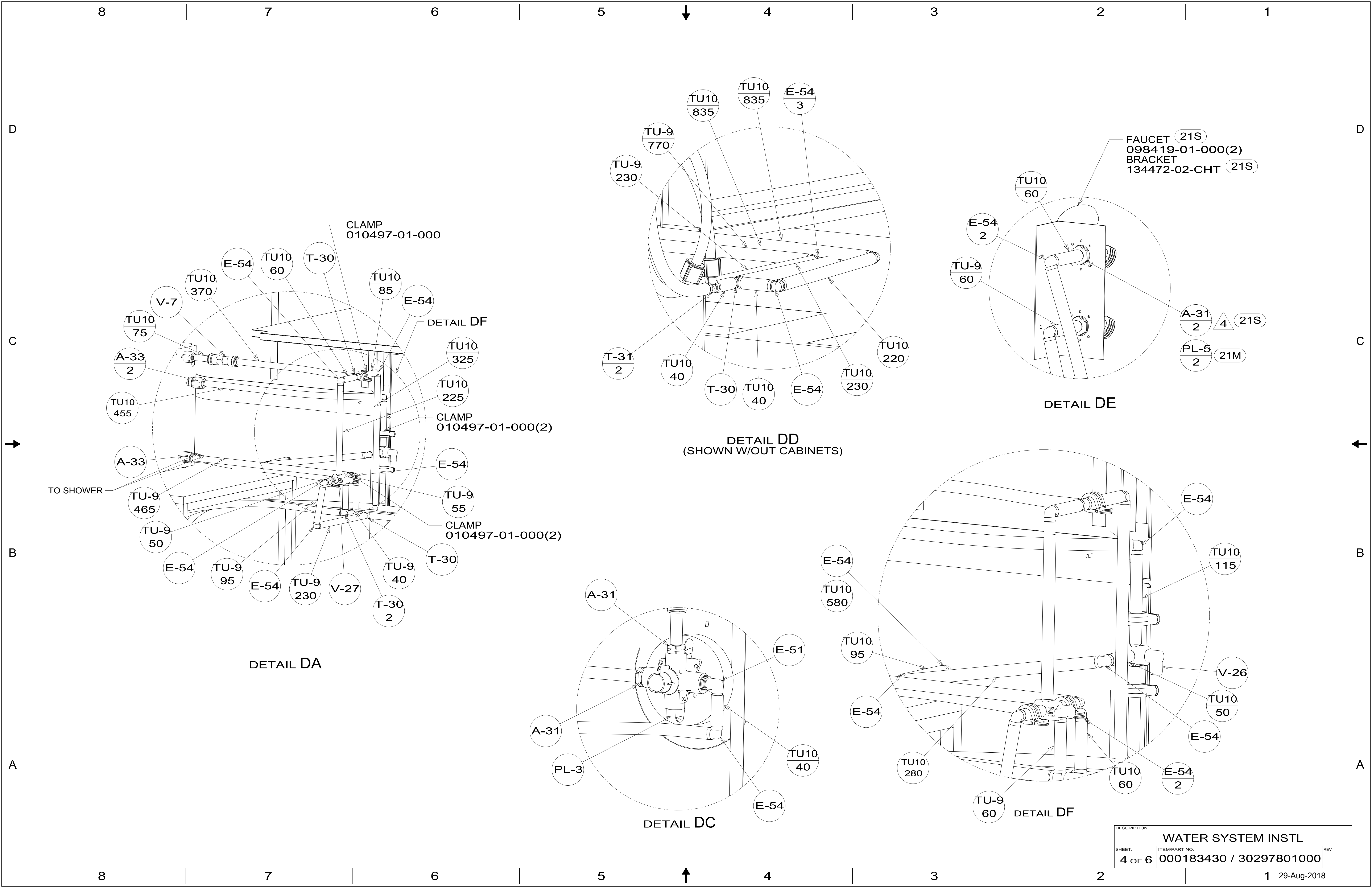
DETAIL BG

DETAIL BE
(SHOWN W/OUT CABINETS)

DETAIL BD

DESCRIPTION:		
WATER SYSTEM INSTL		
SHEET:	ITEM/PART NO.:	REV
2 OF 6	000183430 / 30297801000	





8

7

6

5

4

3

2

1

D

D

C

C

B

B

A

A

8

7

6

5

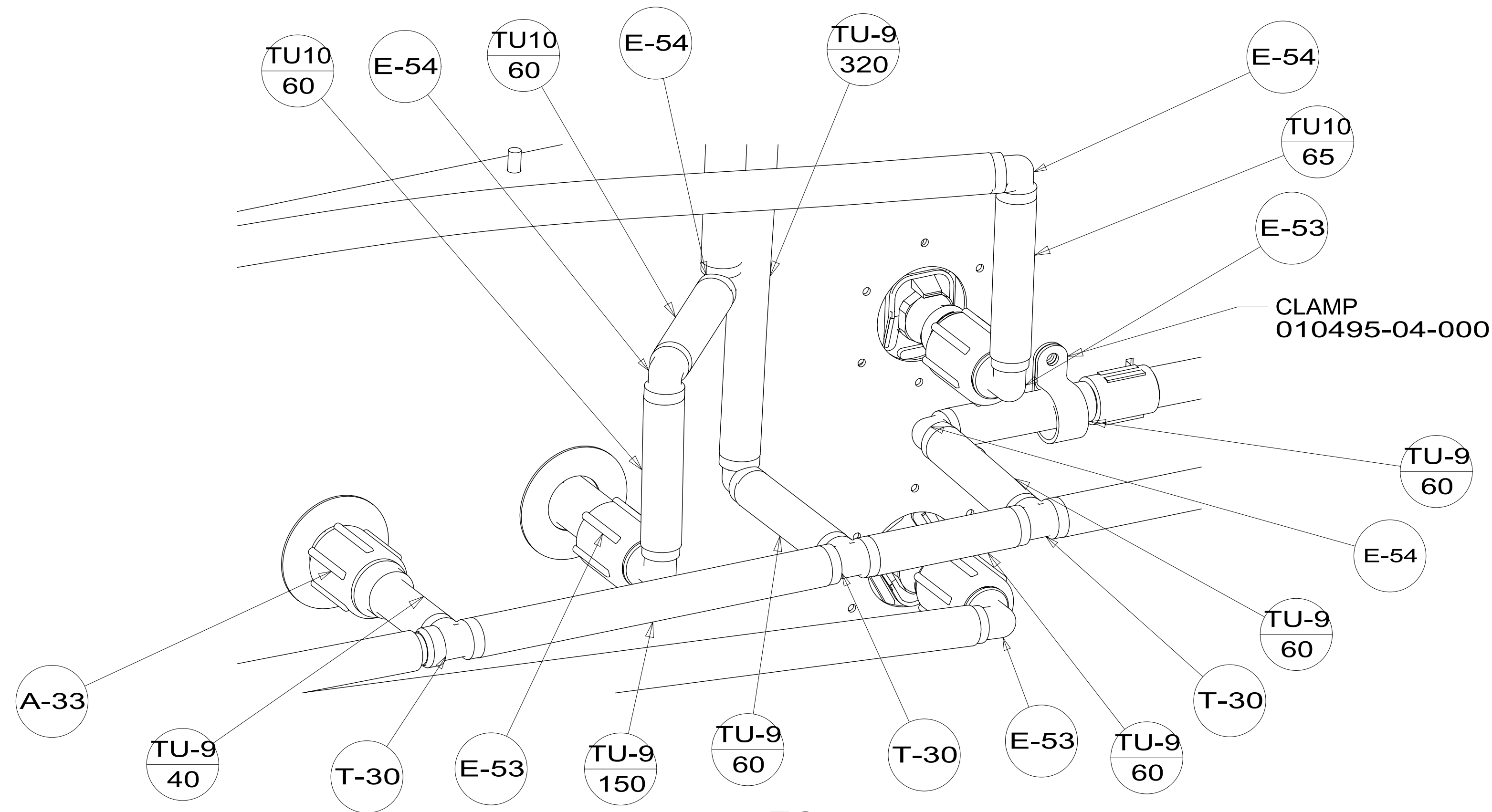
4

3

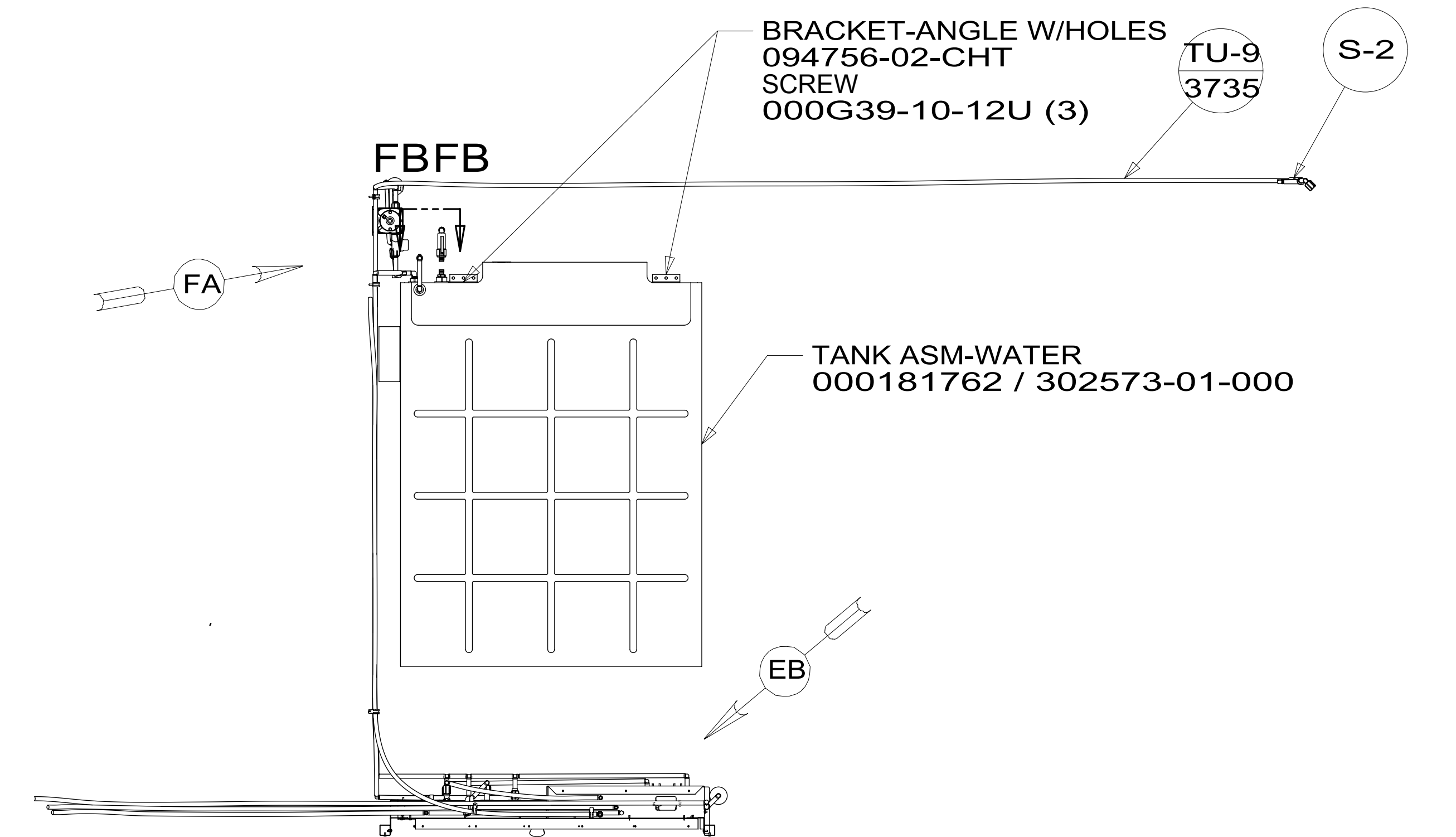
2

1

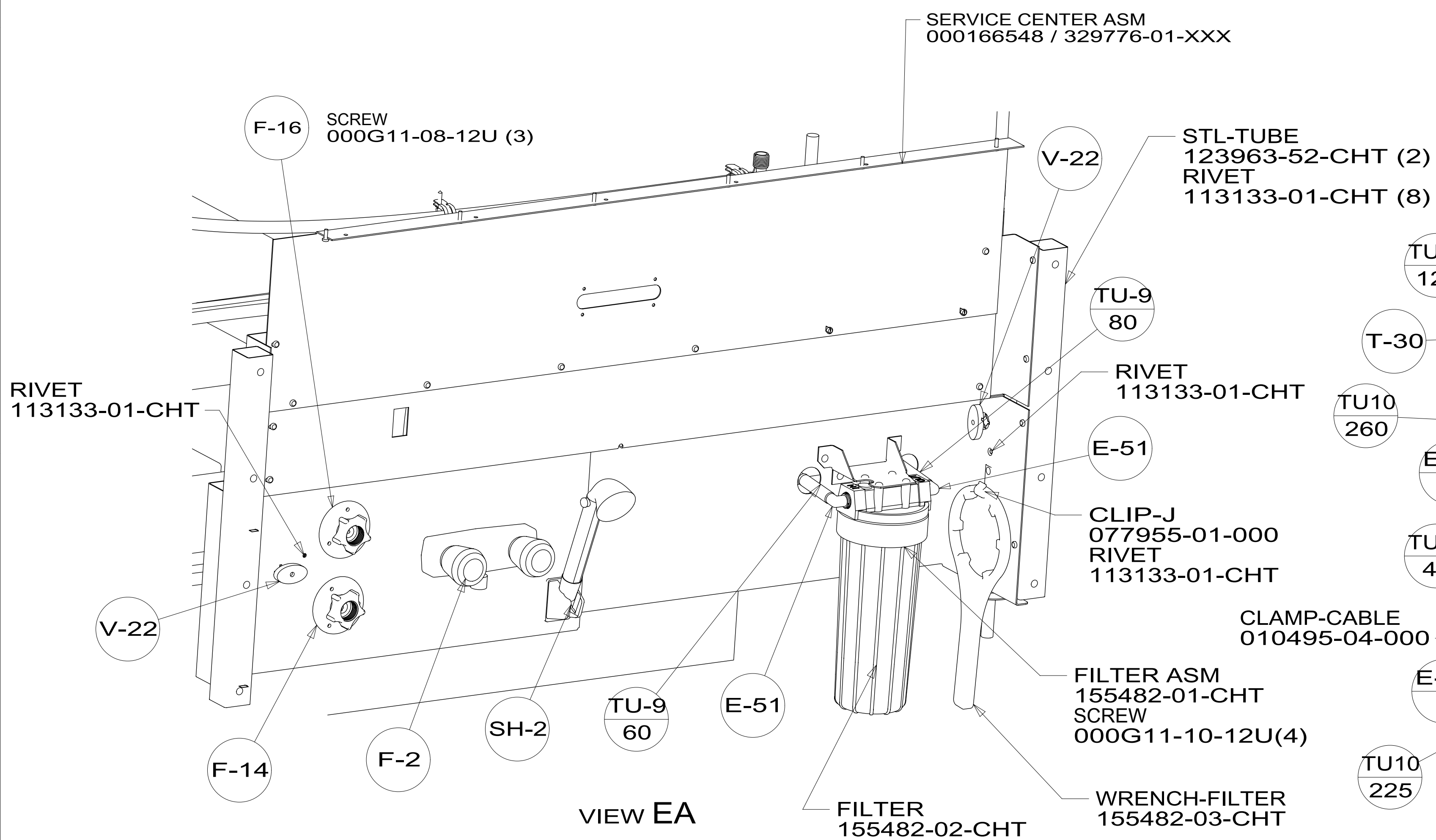
29-Aug-2018



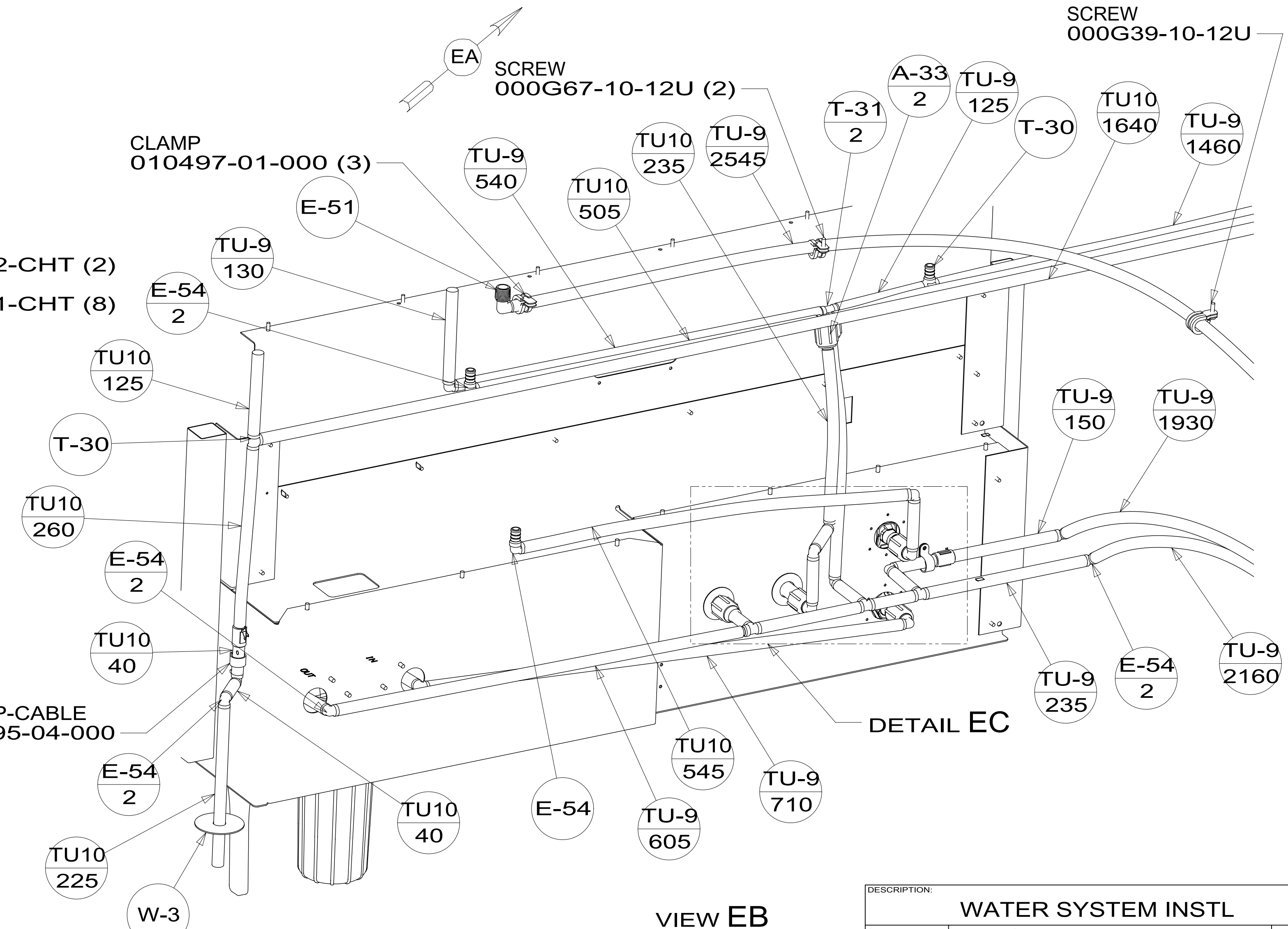
DETAIL EC



TOP VIEW SHOWING LINE UNDER FLOOR



VIEW EA



VIEW EB

DESCRIPTION:		
WATER SYSTEM INSTL		
SHEET:	ITEM/PART NO.:	REV
5 OF 6	000183430 / 30297801000	

