

- 3 PREP BOTH SURFACES WITH ADHESIVE-PROMOTER, 087211-01-000.
- 2 SEE WIRING INSTL-BODY,110V FOR ADDITIONAL INFORMATION.
- 1 SEE WIRING INSTL-BODY,12V FOR ADDITIONAL INFORMATION.

NOTES:

265 CODES/STANDARDS-CSA/CMVSS
 1B1 CODES/STANDARDS USA

1B1 265

COPYRIGHT 2016 WINNEBAGO INDUSTRIES, INC.

DSNR:	ALL DIMENSIONS ARE IN MILLIMETERS	
DFFR:	MATERIAL:	
UNSPECIFIED TOLERANCES:		
WHOLE DIM (X) :	3	
ONE-PLACE (X.X) :	1.5	
TWO-PLACE (X.XX) :	0.50	
ANGLE :	1°	

REFER TO ES0018 FOR FASTENER TIGHTENING GUIDELINES

WEIGHT: (LBS)	FIRST USED:	
	17 524G	
DESCRIPTION:		
WIRING INSTL-TV/DVD		
SHEET:	ITEM/PART NO:	REV:
1 OF 3	000182321 / 30231201000	

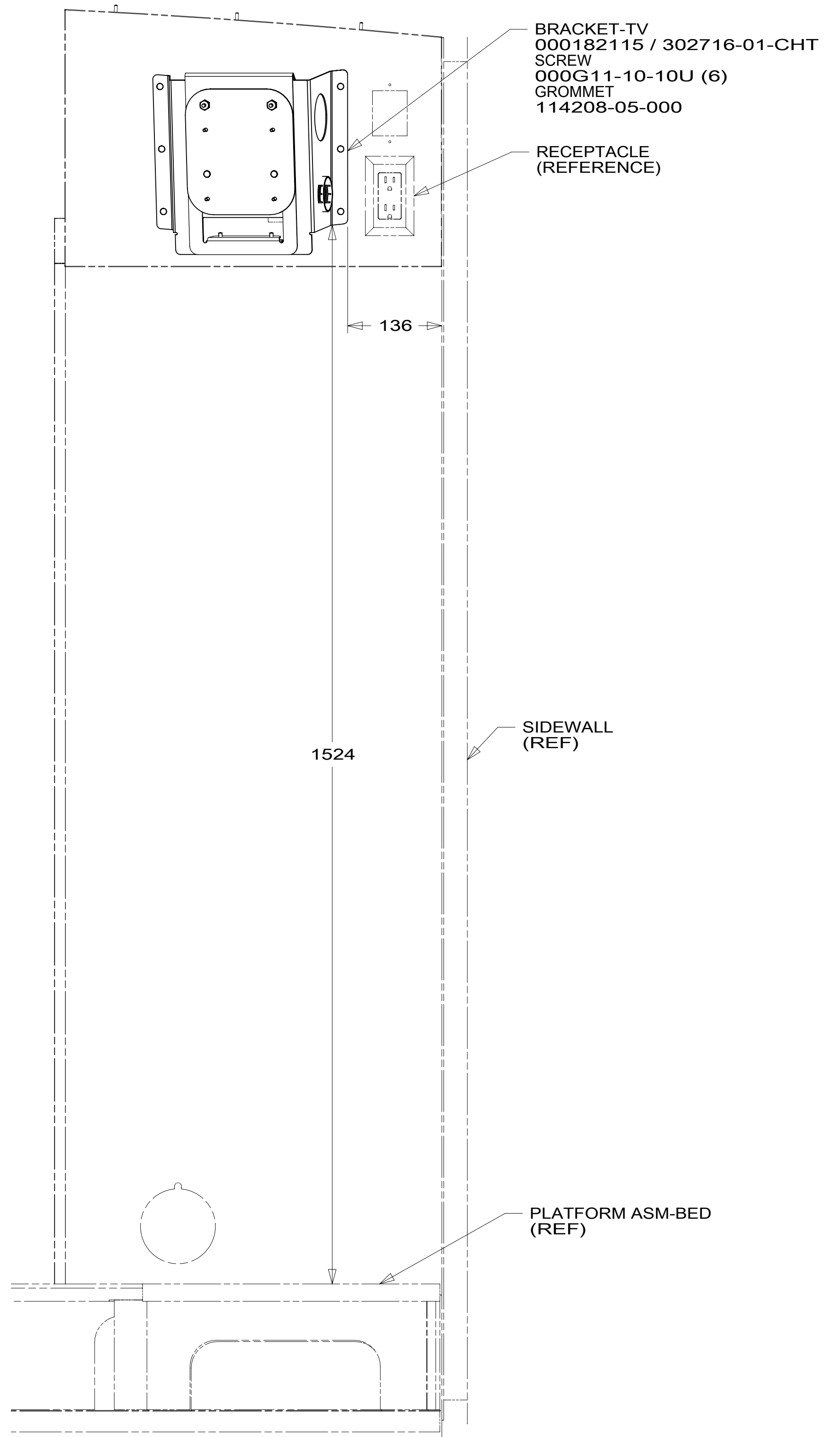
FOR ELECTRICAL TORQUE SPECIFICATIONS SEE DWG NO. 128783-01-000

FOR ELECTRICAL CALLOUTS SEE DWG NO. 121339-01-000

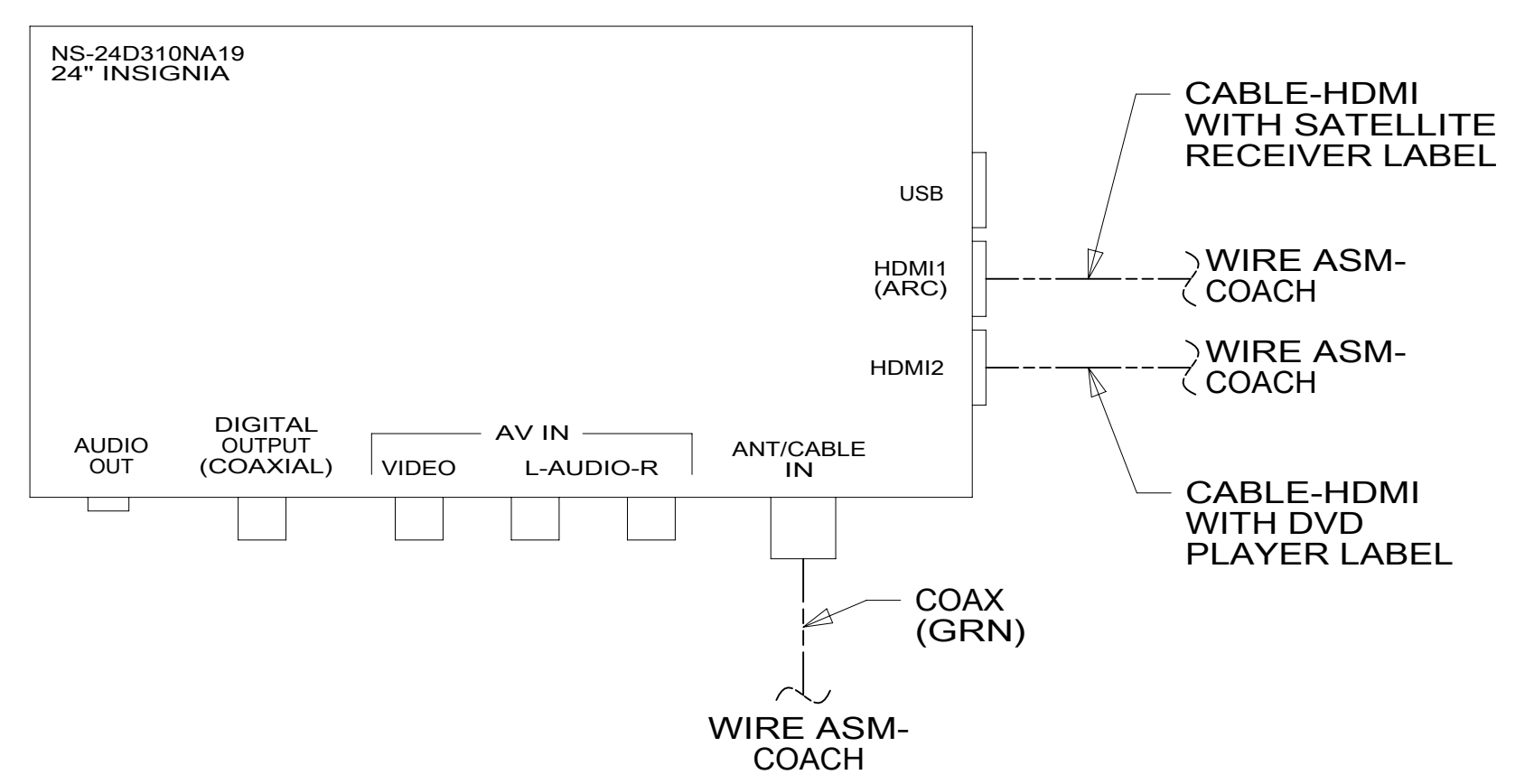
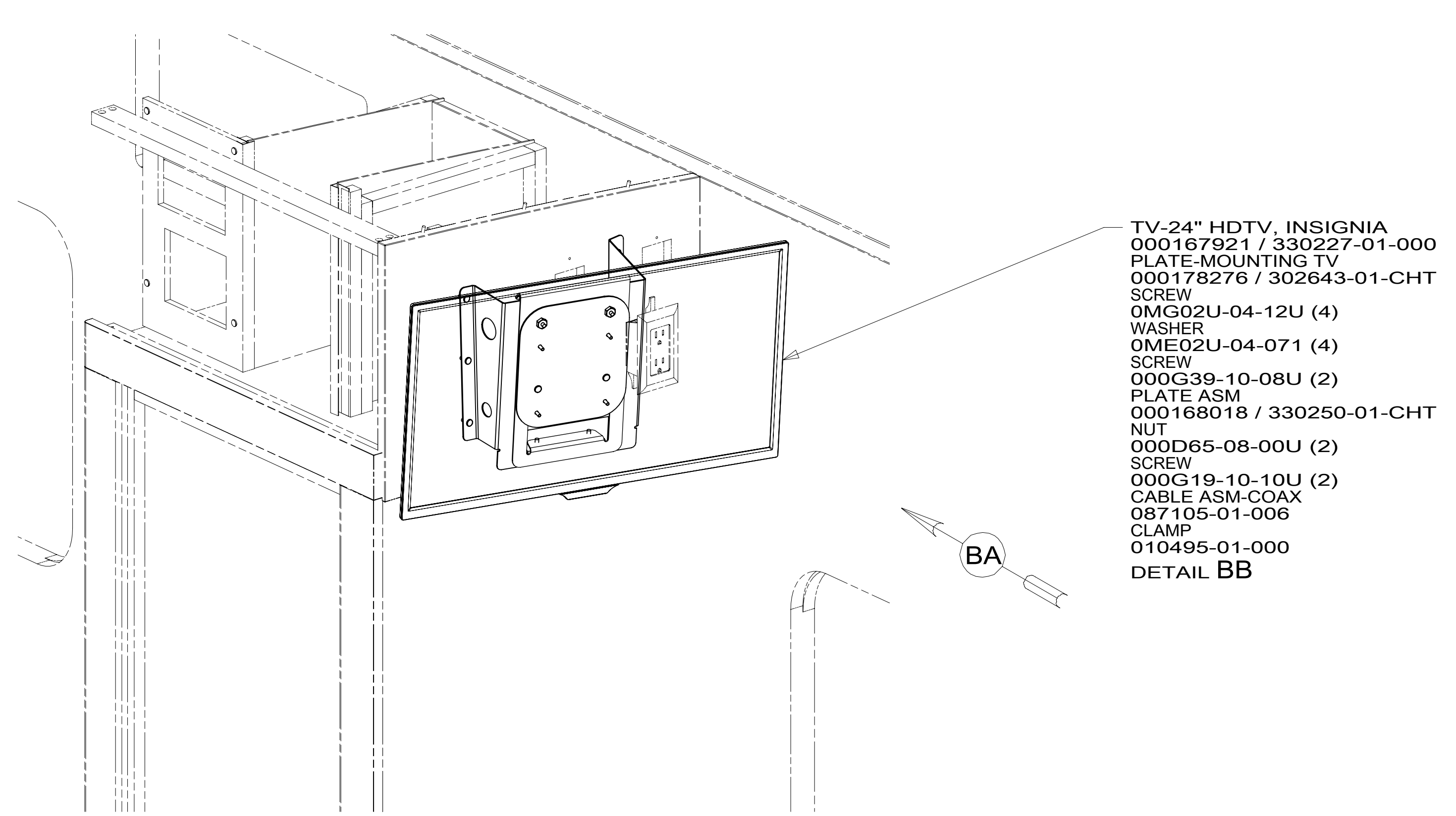
8 7 6 5 4 3 2 1

D
C
B
A

D
C
B
A



VIEW BA
(TV NOT SHOWN)



VIEW BB

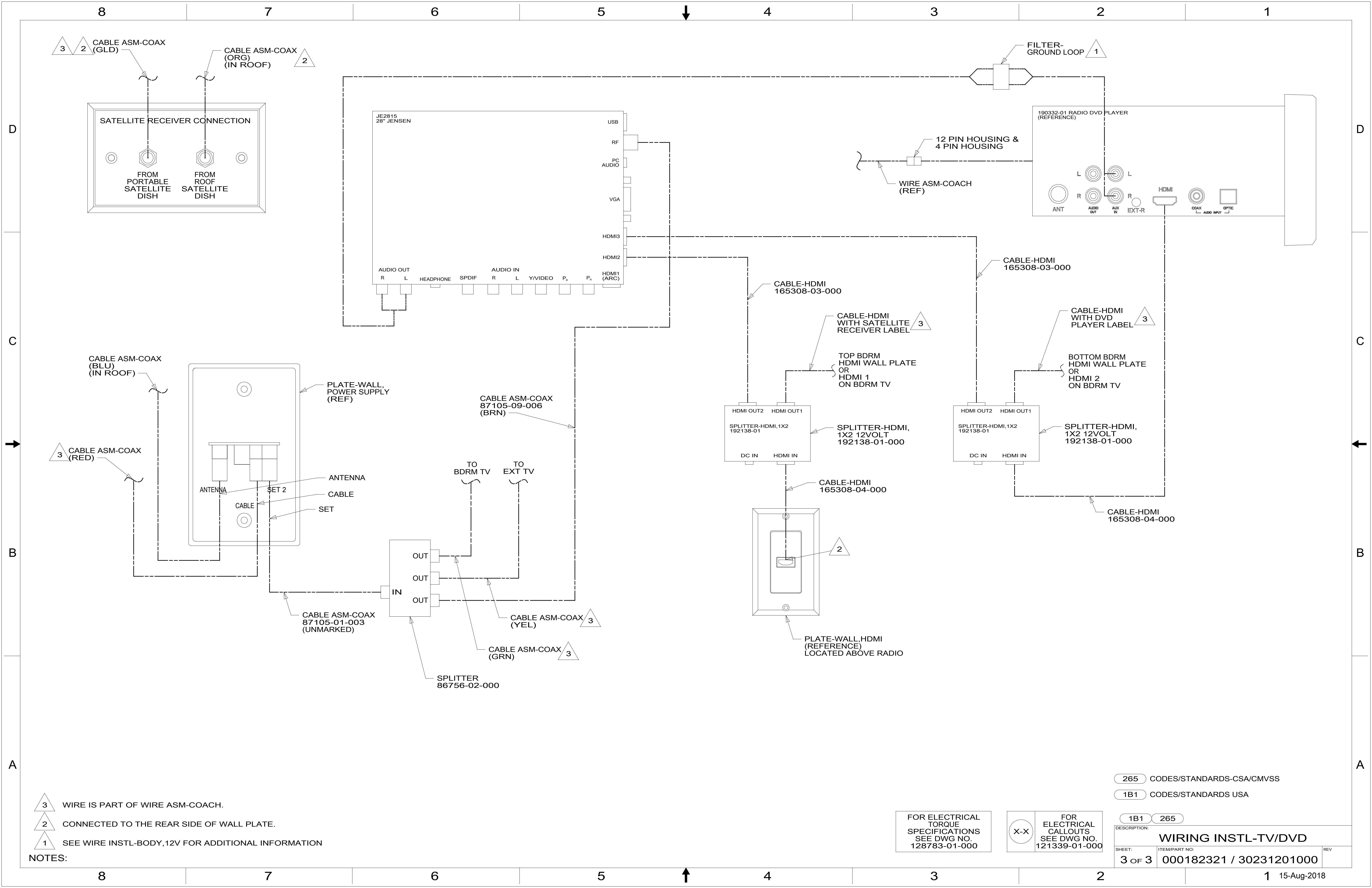
- 68X TV - BEDROOM
- 265 CODES/STANDARDS-CSA/CMVSS
- 1B1 CODES/STANDARDS USA

FOR ELECTRICAL TORQUE SPECIFICATIONS SEE DWG NO. 128783-01-000

X-X FOR ELECTRICAL CALLOUTS SEE DWG NO. 121339-01-000

DESCRIPTION:	1B1 265 68X	
WIRING INSTL-TV/DVD		
SHEET:	ITEM/PART NO.:	REV
2 OF 3	000182321 / 30231201000	

8 7 6 5 4 3 2 1 15-Aug-2018



- NOTES:
- 3 WIRE IS PART OF WIRE ASM-COACH.
 - 2 CONNECTED TO THE REAR SIDE OF WALL PLATE.
 - 1 SEE WIRE INSTL-BODY, 12V FOR ADDITIONAL INFORMATION

FOR ELECTRICAL TORQUE SPECIFICATIONS SEE DWG NO. 128783-01-000

FOR ELECTRICAL CALLOUTS SEE DWG NO. 121339-01-000

265 CODES/STANDARDS-CSA/CMVSS
 1B1 CODES/STANDARDS USA

DESCRIPTION: WIRING INSTL-TV/DVD	
SHEET: 3 OF 3	ITEM/PART NO: 000182321 / 30231201000
REV 1 15-Aug-2018	