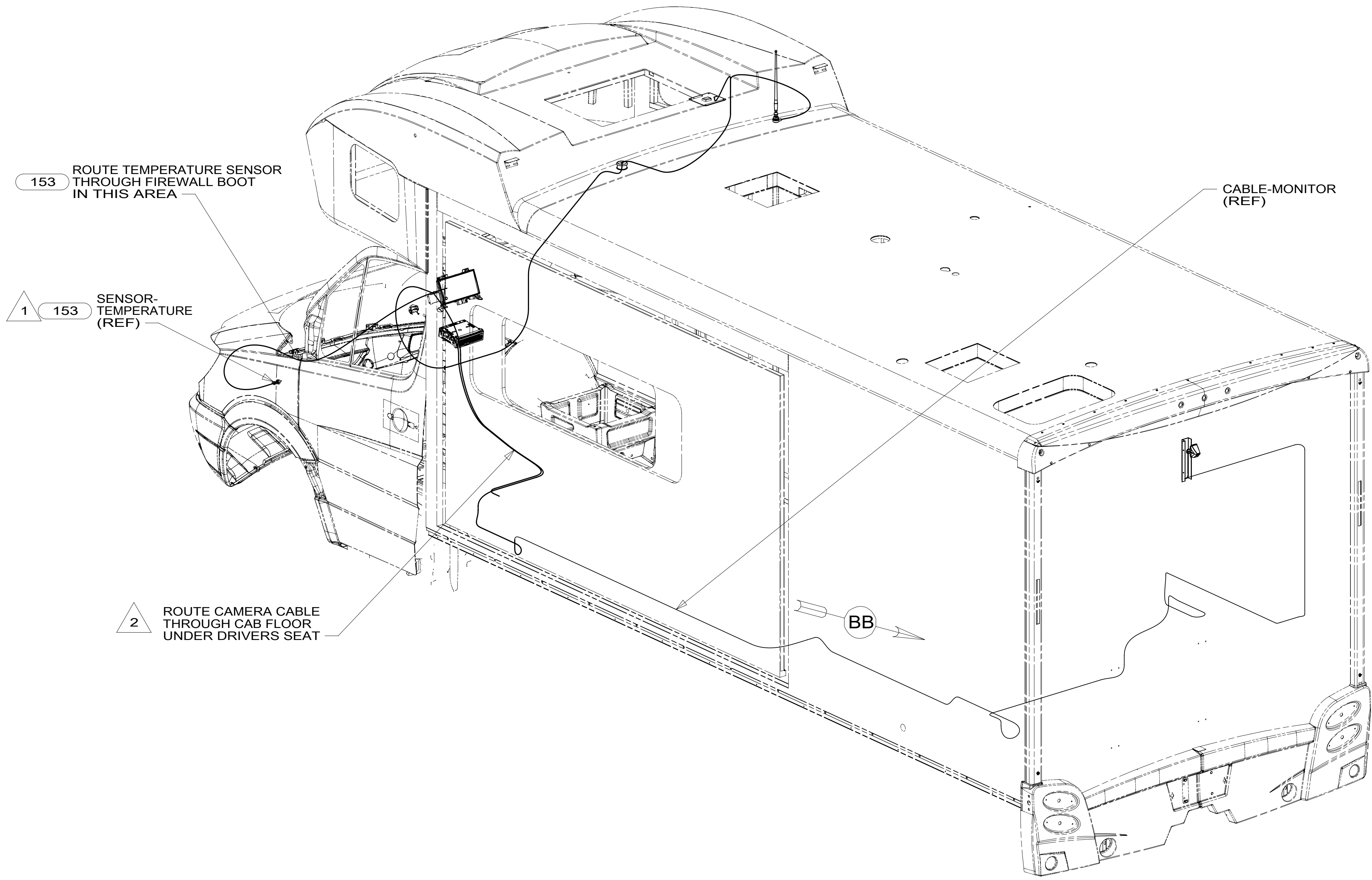


8 7 6 5 4 3 2 1

D
C
B
A



153 ROUTE TEMPERATURE SENSOR THROUGH FIREWALL BOOT IN THIS AREA

1 153 SENSOR-TEMPERATURE (REF)

2 ROUTE CAMERA CABLE THROUGH CAB FLOOR UNDER DRIVERS SEAT

CABLE-MONITOR (REF)

BB

BA

153 LG SCREEN-INFO/GPS SIRIUSXM

265 CODES/STANDARDS-CSA/CMVSS

1B1 CODES/STANDARDS USA

1B1 265



DSNR:		ALL DIMENSIONS ARE IN MILLIMETERS	
DFFR:		MATERIAL:	
UNSPECIFIED TOLERANCES:			
WHOLE DIM (X)	: 3		
ONE-PLACE (X.X)	: 1.5		
TWO-PLACE (X.XX)	: 0.50		
ANGLE	: 1°		
REFER TO ES0018 FOR FASTENER TIGHTENING GUIDELINES		WEIGHT: (LBS)	FIRST USED:
			17 524G

FOR ELECTRICAL TORQUE SPECIFICATIONS SEE DWG NO. 128783-01-000

FOR ELECTRICAL CALLOUTS SEE DWG NO. 121339-01-000

RADIO/MONITOR INSTL

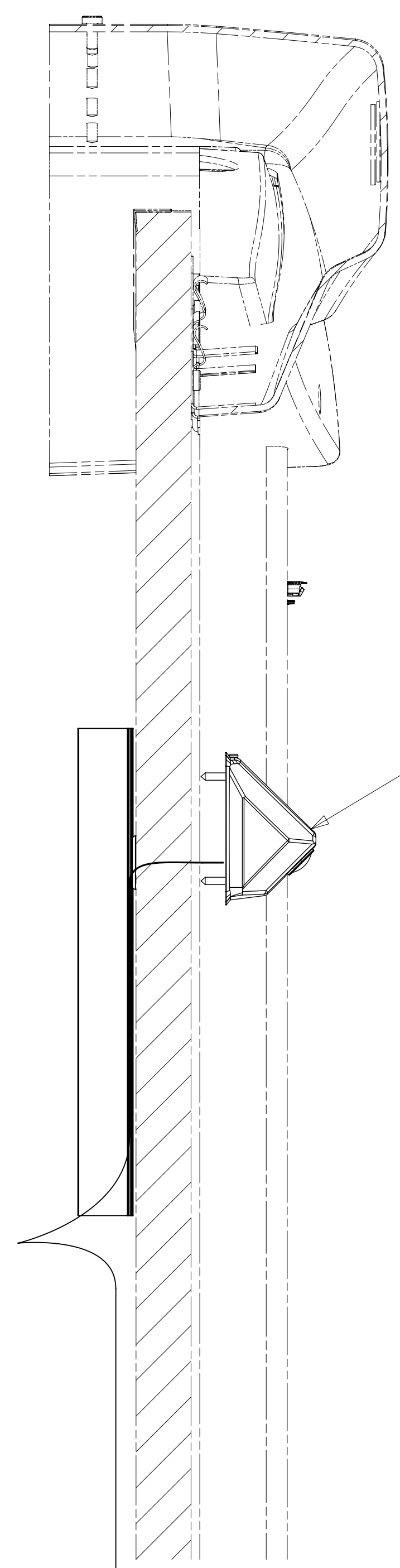
SHEET: 1 OF 6 ITEM/PART NO: 000182316 / 30230101000 REF: 1 27-Jul-2018

NOTES:

2 ROUTE A MAXIMUM OF 2000 MM OF CABLE INTO CAB AREA.

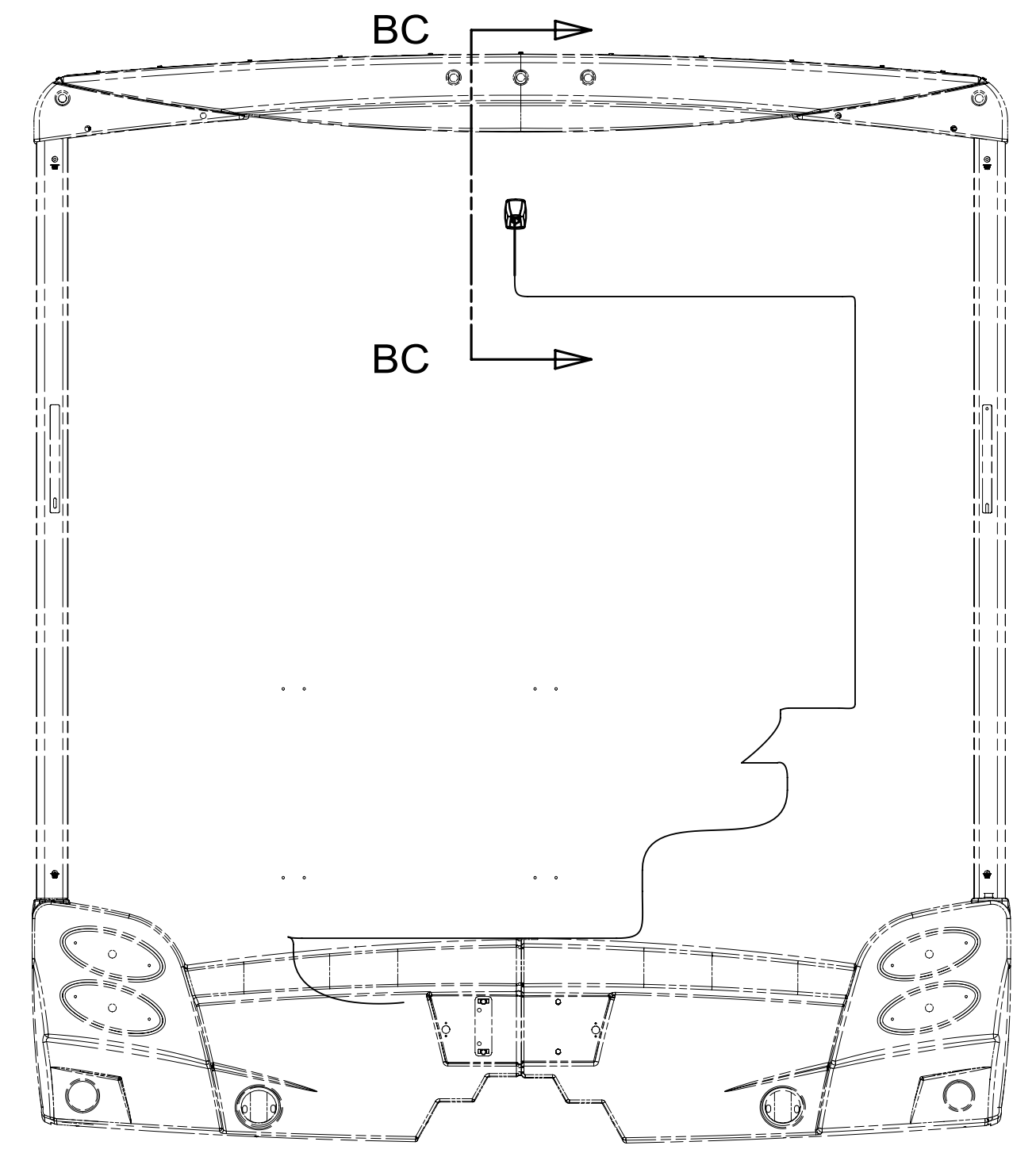
1 DRILL 16MM HOLE THROUGH BUMPER COVER BEHIND LICENSE PLATE BRACKET AND INSTALL SENSOR.

8 7 6 5 4 3 2 1

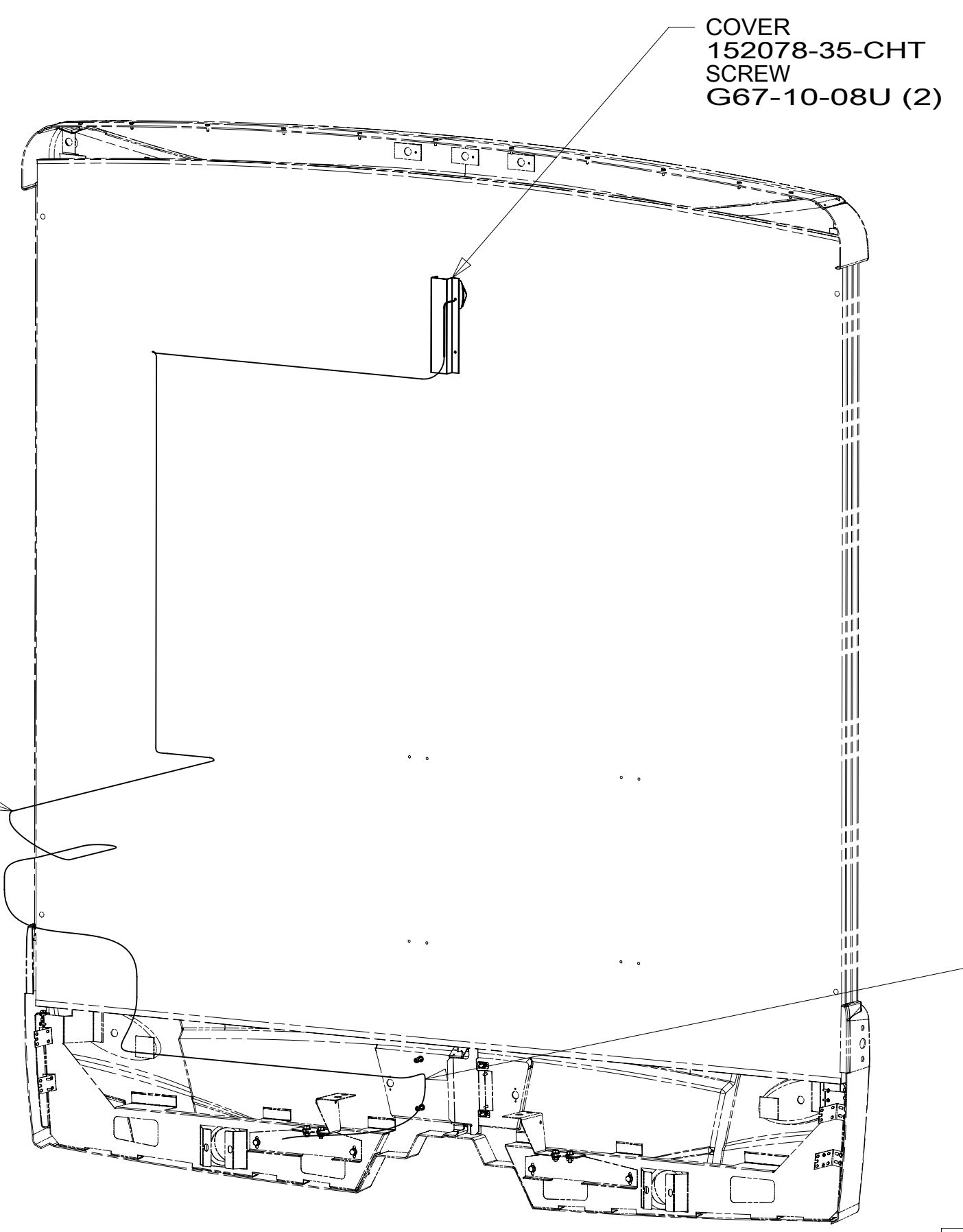


SECTION BC-BC

- CAMERA-REAR, COLOR, W/BACKET 183822-01-000 ← 19R
- CAMERA-REAR, W/AUDIO 000025359 / 315257-01-000 ← 153
- SCREW G39-10-12U (EXT)(5)
- GROMMET 071015-46-000



VIEW BA



VIEW BB

2 ROUTE CAMERA CABLE ALONG WITH 12V WIRING TO SLIDEOUT ROOM

ROUTE CAMERA CABLE THROUGH FLOOR IN THIS AREA

- COVER 152078-35-CHT
- SCREW G67-10-08U (2)

- 2 COVER IN MINIMUM DIAMETER CONDUIT.
- 1 SECURE CAMERA AND CABLE CONNECTION WITH ELECTRICAL TAPE (008363-01-000).

NOTES:

FOR ELECTRICAL TORQUE SPECIFICATIONS SEE DWG NO. 128783-01-000

FOR ELECTRICAL CALLOUTS SEE DWG NO. 121339-01-000

- 19R RADIO/REARVIEW MONITOR SYS
- 153 LG SCREEN-INFO/GPS SIRIUSXM
- 265 CODES/STANDARDS-CSA/CMVSS
- 1B1 CODES/STANDARDS USA

DESCRIPTION:		1B1 265	
RADIO/MONITOR INSTL			
SHEET:	ITEM/PART NO.:	REV	
2 OF 6	000182316 / 30230101000		

8

7

6

5

4

3

2

1



8

7

6

5

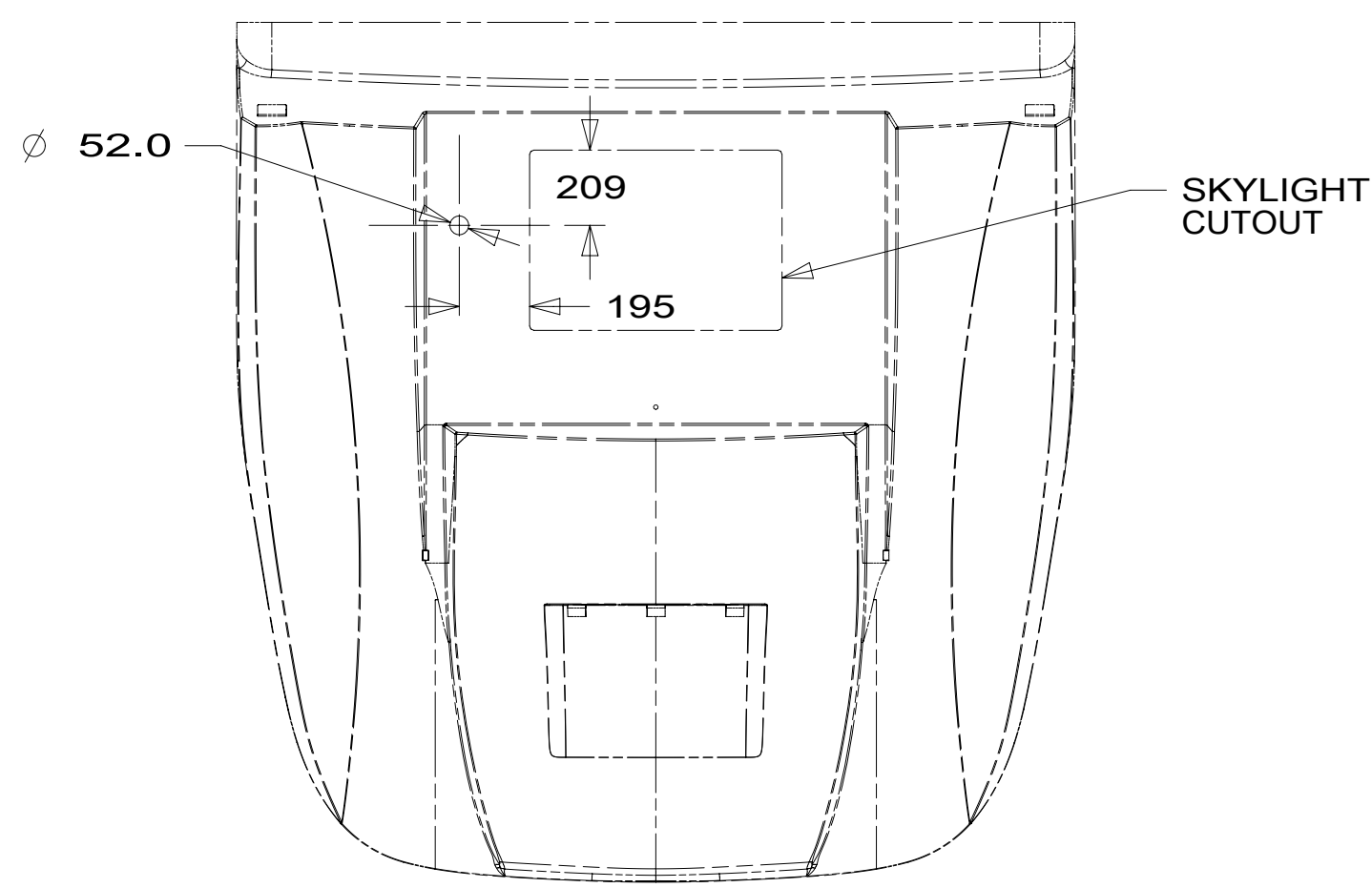
4

3

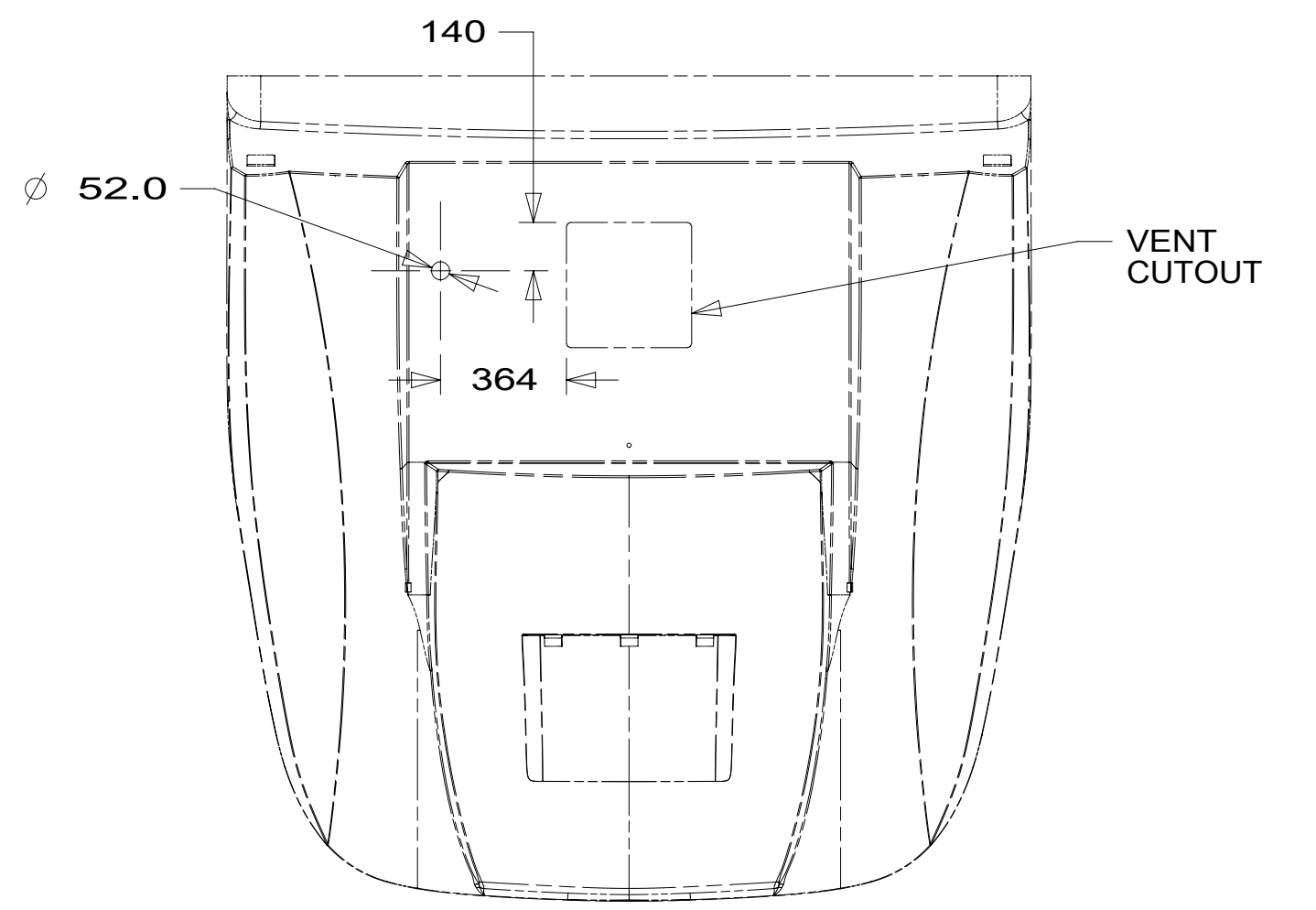
2

1

27-Jul-2018



DETAIL CA 153 AND 316



DETAIL CA 153 AND 41M

- NOTES:
- 8 DRILL 16MM HOLE THROUGH BUMPER COVER BEHIND LICENSE PLATE BRACKET AND INSTALL SENSOR.
 - 7 CUT AND REMOVE A 75MM X 75MM AREA OF THE ALUMINUM INSULATION, CENTERED ABOUT THE RADIO ANTENNA ROOF CAP.
 - 6 REMOVE AND REINSTALL AFTER PAINT.
 - 5 ROUTE SATELLITE RADIO ANTENNA CABLE FROM THE DASH UP A-PILLAR TO ROOF CAP.
 - 4 CONNECT UNILINK CABLE SUPPLIED WITH SATELLITE RECEIVER BETWEEN DASH RADIO AND SATELLITE RECEIVER UNDER PASSENGER SEAT ROUTE I-POD CABLE TO TRAY ABOVE DASH RADIO.
 - 3 MOUNT ANTENNA SUCH THAT BASE IS SQUARE W/REAR OF ROOF CAP & CENTER HOLE OF ANTENNA DIRECTLY OVER HOLE IN FIBERGLASS. SEAL HOLE, BASE, AND SCREWS.
 - 2 SEAL AROUND ANTENNA BASE.
 - 1 ROUTE RADIO ANTENNA CABLE FROM DASH RADIO UNDER DASH UP PASSENGER SIDE A-PILLAR TO ROOF CAP.

ANTENNA-SATELLITE RADIO
 (SUPPLIED WITH SXM RECEIVER
 PLATE-SATELLITE PREP
 177256-03-CHT
 SCREW
 G11-08-08U (4)
 SEAL
 DETAIL CA

ANTENNA-RADIO
 90944-01-000

GROMMET
 023942-01-000

153 CABLE ASM
 (SUPPLIED WITH ANTENNA)

153 RECEIVER-SAT RADIO
 (REF)

1 CABLE ASM-ANTENNA
 77069-03-000

8 153 SENSOR-TEMPERATURE
 (REF)

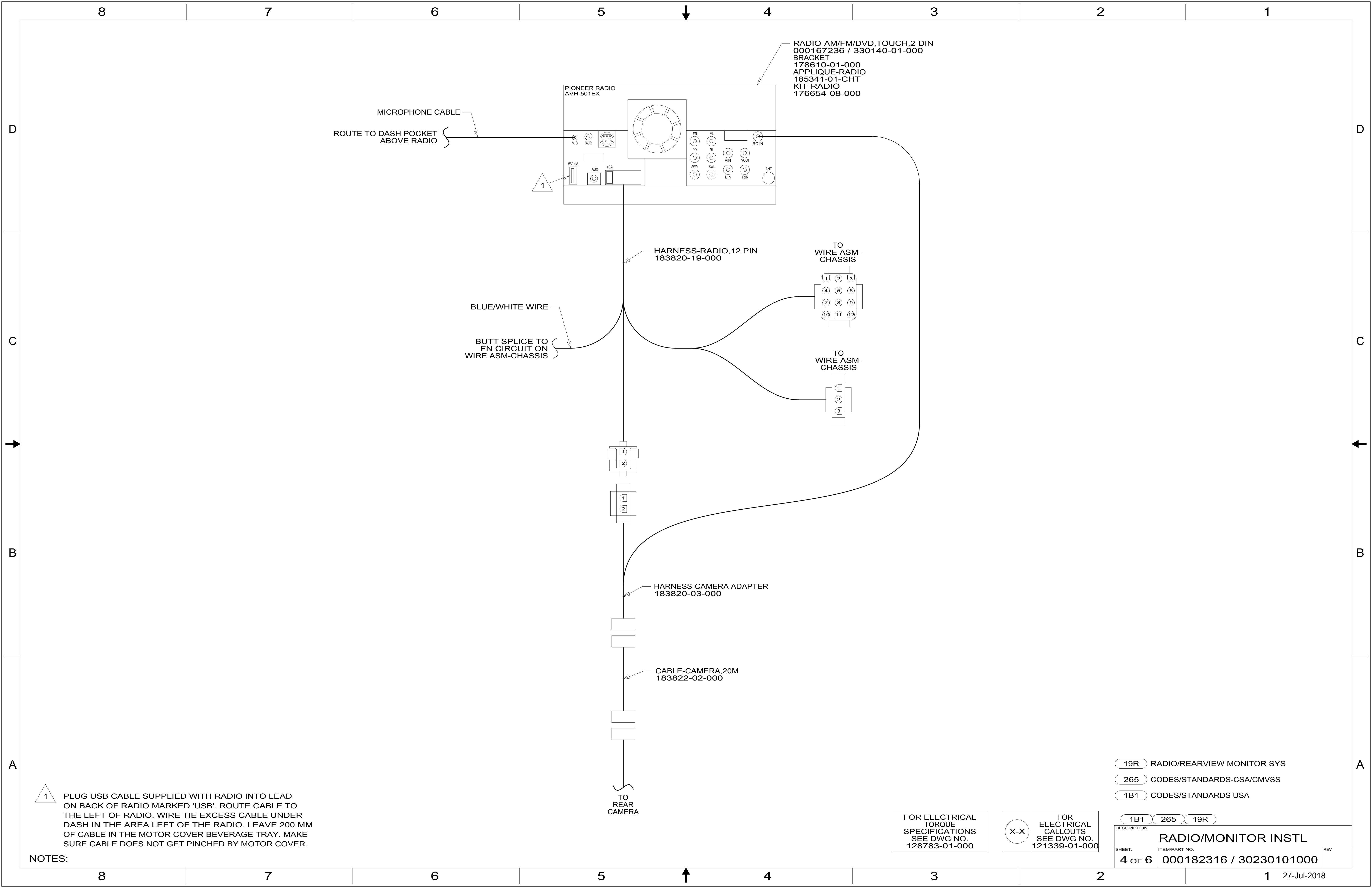
TO RADIO

- 41M VENT-POWER VENTILATOR
- 316 SKYLIGHT/ROOF VENT, POWER
- 153 LG SCREEN-INFO/GPS SIRIUSXM
- 265 CODES/STANDARDS-CSA/CMVSS
- 1B1 CODES/STANDARDS USA

FOR ELECTRICAL
 TORQUE
 SPECIFICATIONS
 SEE DWG NO.
 128783-01-000

FOR ELECTRICAL
 CALLOUTS
 SEE DWG NO.
 121339-01-000

DESCRIPTION:	1B1 265	
RADIO/MONITOR INSTL		
SHEET:	ITEM/PART NO:	REV
3 OF 6	000182316 / 30230101000	

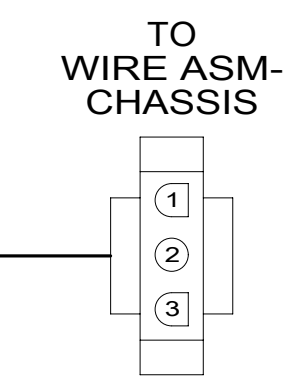
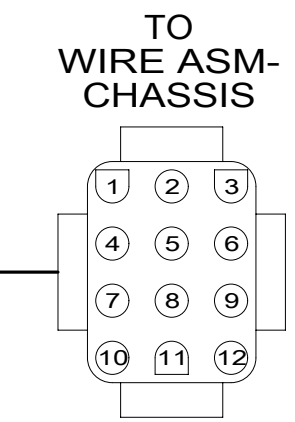


RADIO-AM/FM/DVD, TOUCH, 2-DIN
 000167236 / 330140-01-000
 BRACKET
 178610-01-000
 APPLIQUE-RADIO
 185341-01-CHT
 KIT-RADIO
 176654-08-000

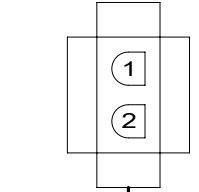
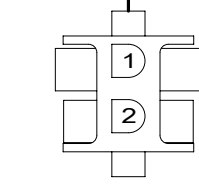
MICROPHONE CABLE
 ROUTE TO DASH POCKET
 ABOVE RADIO

1

HARNESS-RADIO, 12 PIN
 183820-19-000



BLUE/WHITE WIRE
 BUTT SPLICE TO
 FN CIRCUIT ON
 WIRE ASM-CHASSIS



HARNESS-CAMERA ADAPTER
 183820-03-000

CABLE-CAMERA, 20M
 183822-02-000

TO
 REAR
 CAMERA

1 PLUG USB CABLE SUPPLIED WITH RADIO INTO LEAD ON BACK OF RADIO MARKED 'USB'. ROUTE CABLE TO THE LEFT OF RADIO. WIRE TIE EXCESS CABLE UNDER DASH IN THE AREA LEFT OF THE RADIO. LEAVE 200 MM OF CABLE IN THE MOTOR COVER BEVERAGE TRAY. MAKE SURE CABLE DOES NOT GET PINCHED BY MOTOR COVER.

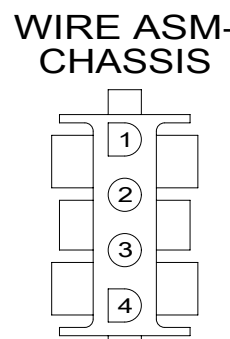
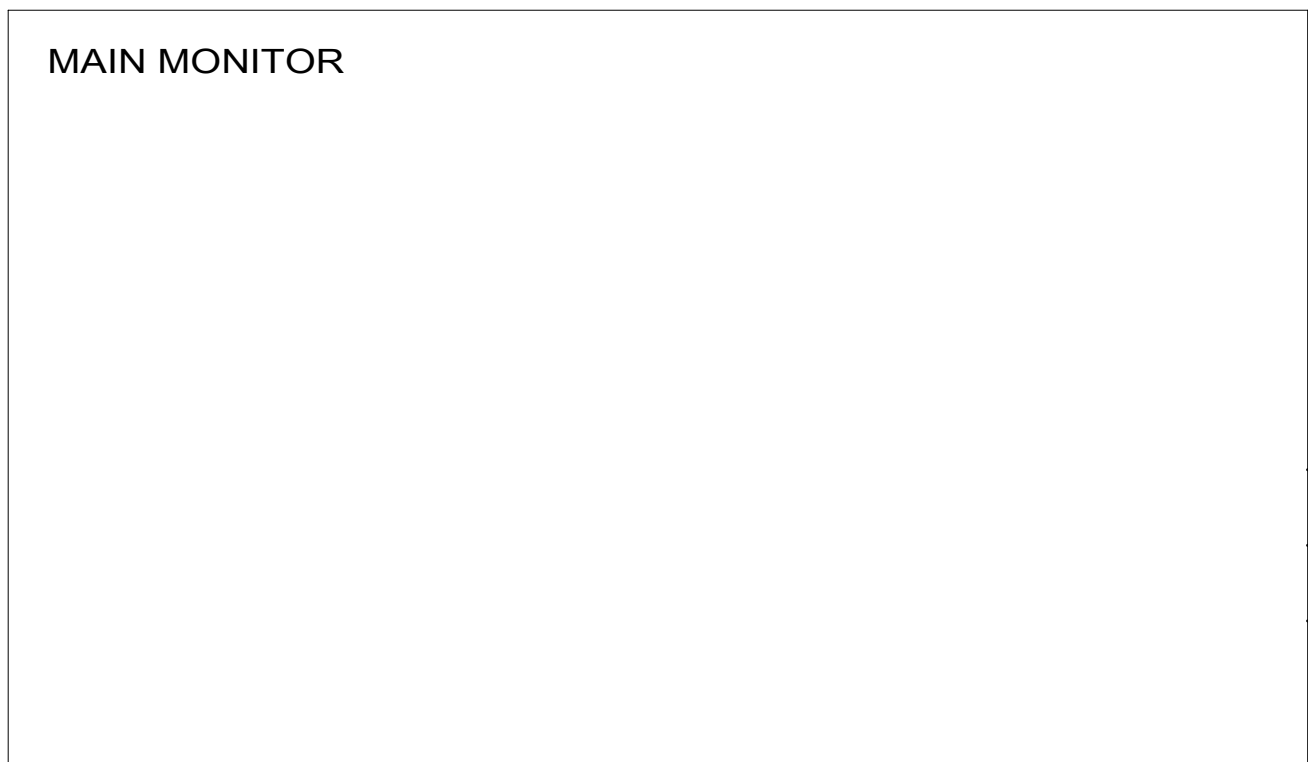
NOTES:

FOR ELECTRICAL TORQUE SPECIFICATIONS SEE DWG NO. 128783-01-000

FOR ELECTRICAL CALLOUTS SEE DWG NO. 121339-01-000

- 19R RADIO/REARVIEW MONITOR SYS
- 265 CODES/STANDARDS-CSA/CMVSS
- 1B1 CODES/STANDARDS USA

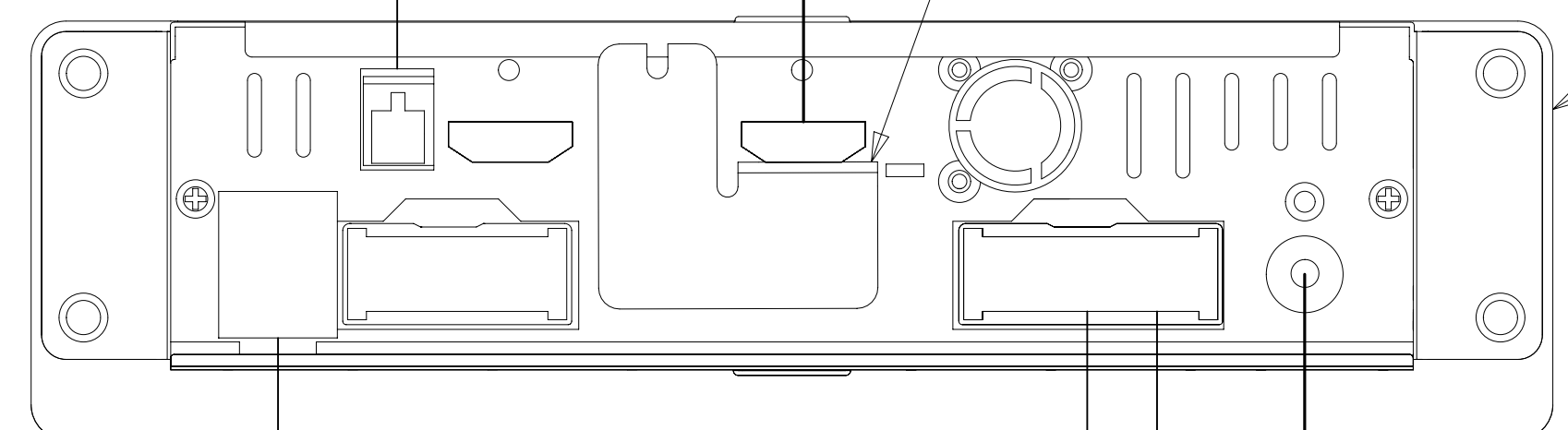
DESCRIPTION:	1B1 265 19R	
RADIO/MONITOR INSTL		
SHEET:	ITEM/PART NO:	REV
4 OF 6	000182316 / 30230101000	



CAMERA CABLE
000025362 / 315260-01-000

REAR
CAMERA
(REF)

BRACKET-CLAMP,HDMI
000038736 / 318986-01-CHT
TAPE-FOAM DBL COATED
076322-22-000 (40 MM)



GPS ANTENNA

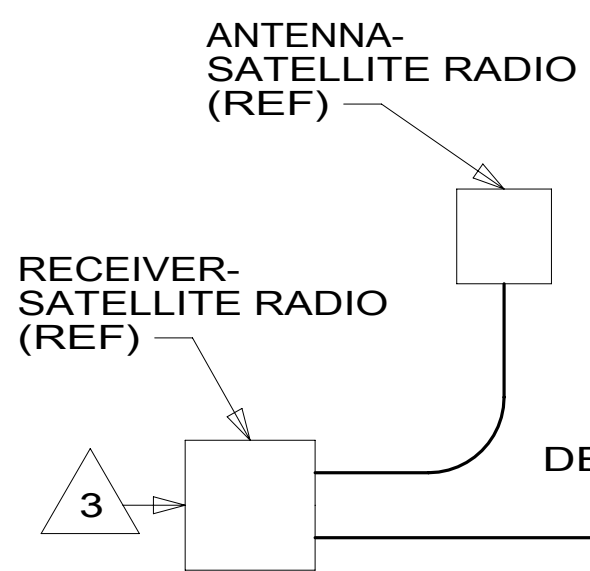


DETAIL EA

BT MIC

RADIO ANTENNA

PSM/CAN CONNECTION



EXT IR

GPS

DETAIL EA

SXM

CMM

MIC IN

USB1

WIFI ADAPTER (SUPPLIED W/ RADIO)

2-PIN CONNECTOR

TEMP SENSOR

BLUE/WHITE WIRE

BUTT SPLICE

FN

NO CONNECTION

CONNECTS TO WIRE ASM-CHASSIS

- NOTES:
- 4 WIRE TIE TO DASH RADIO WIRING BEHIND THE RADIO.
 - 3 PLUG CABLE INTO LEAD ON BACK OF RADIO.
 - 2 SEE SHT 2 FOR ADDITIONAL INFORMATION.
 - 1 MOUNT GPS ANTENNA TO TOP OF DEFROST PLENUM BEHIND RADIO.

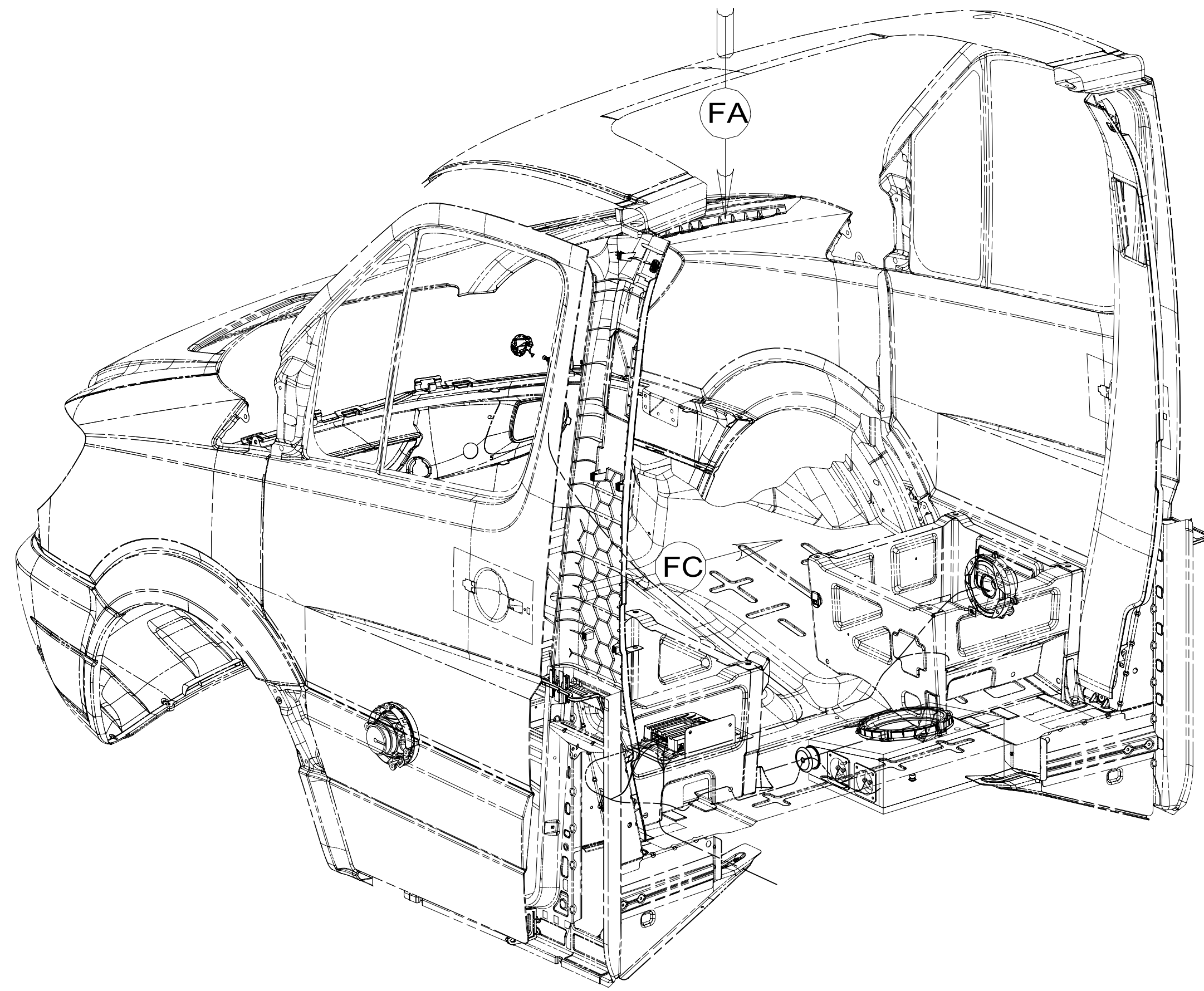
- 153 LG SCREEN-INFO/GPS SIRIUSXM
- 265 CODES/STANDARDS-CSA/CMVSS
- 1B1 CODES/STANDARDS USA

FOR ELECTRICAL TORQUE SPECIFICATIONS SEE DWG NO. 128783-01-000

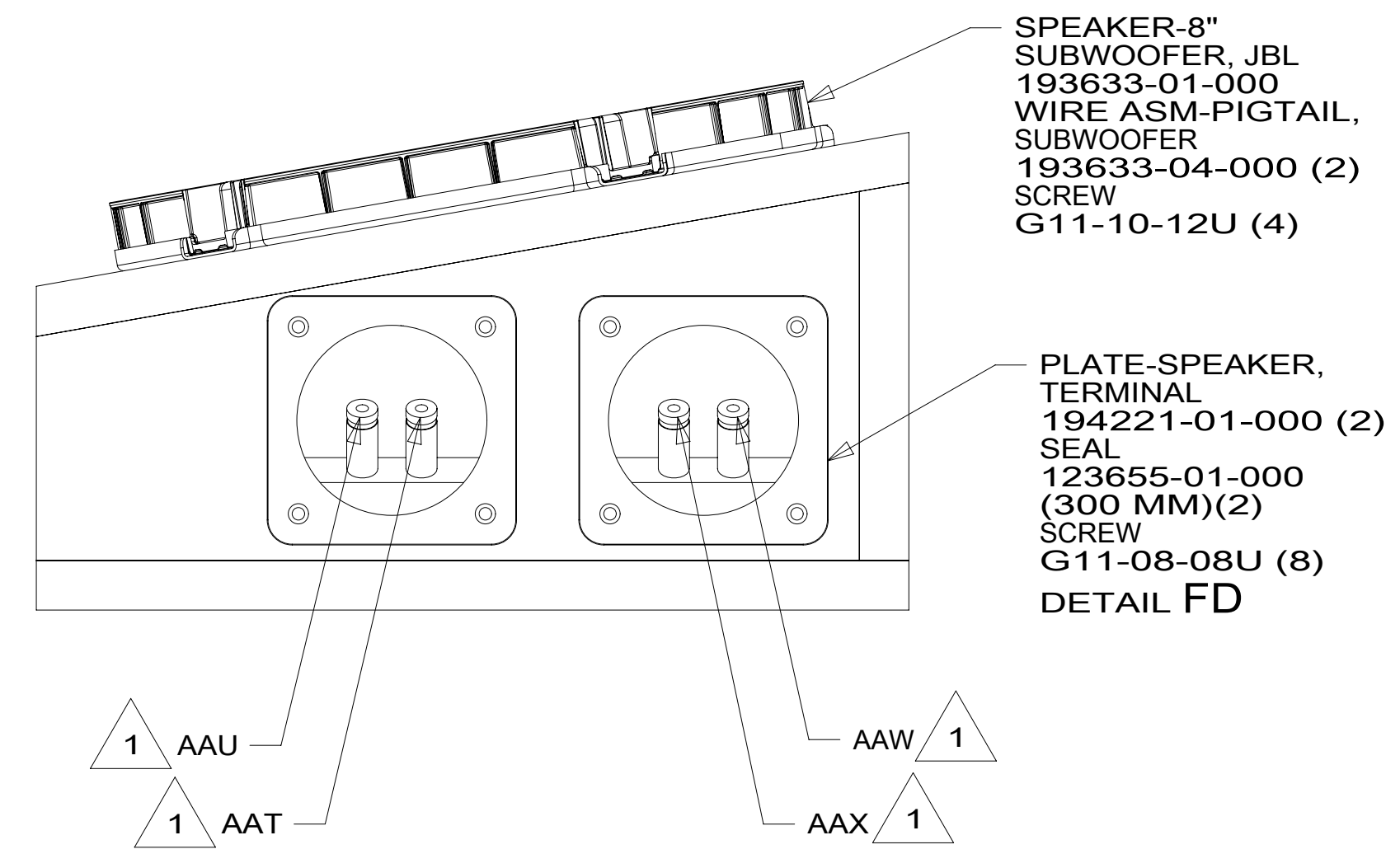
FOR ELECTRICAL CALLOUTS SEE DWG NO. 121339-01-000

- 1B1
- 265
- 153

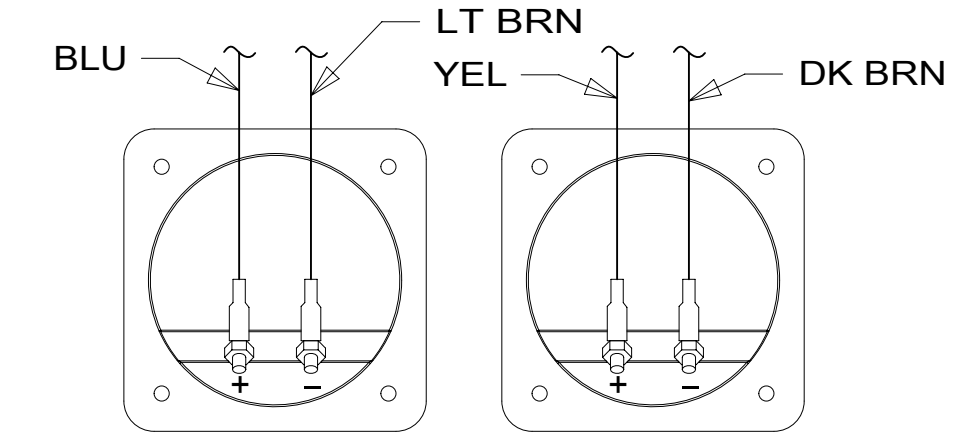
DESCRIPTION: RADIO/MONITOR INSTL		
SHEET: 5 OF 6	ITEM/PART NO: 000182316 / 30230101000	REV



DETAIL FC
LOGO-JBL
302951-01-000 (2) 4

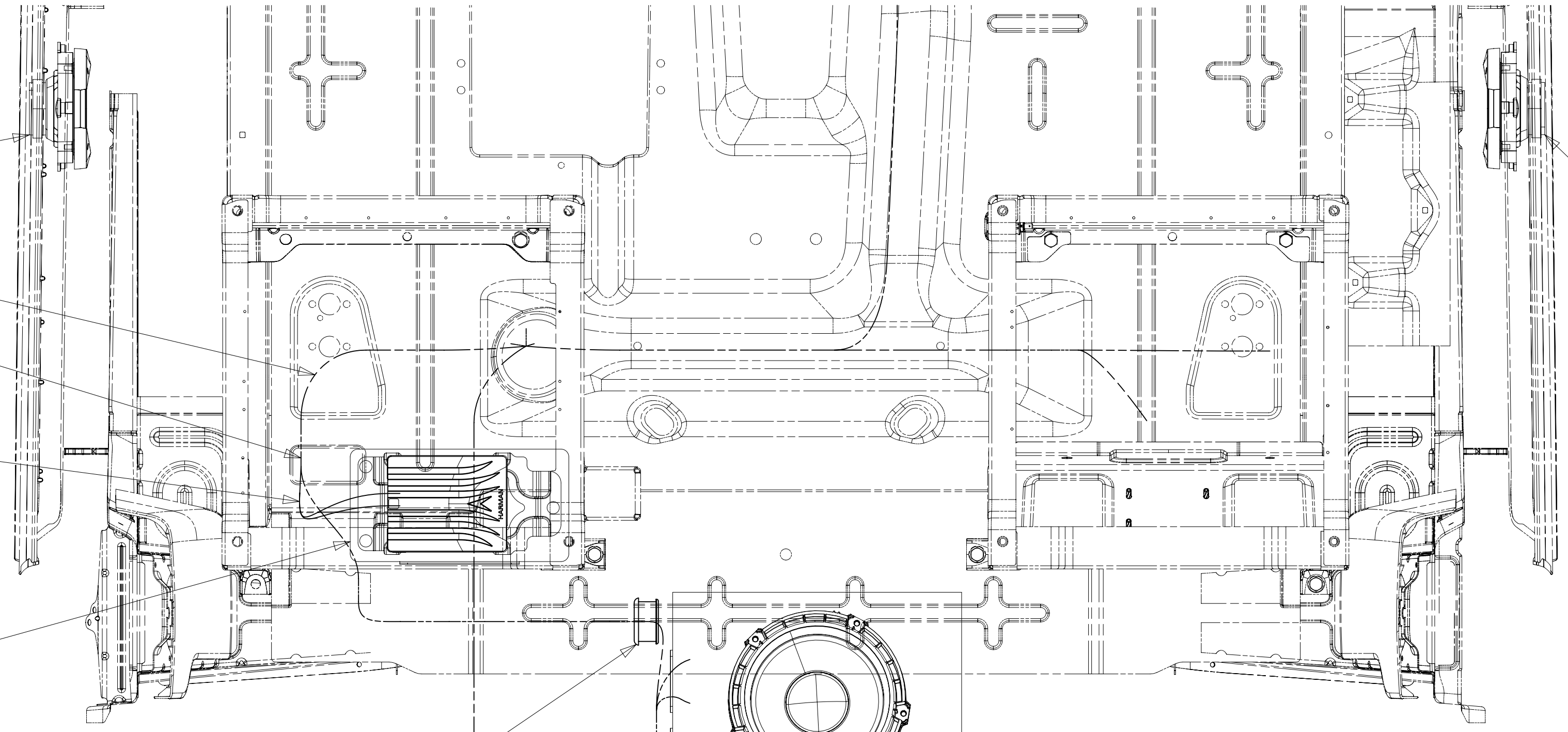


DETAIL FB
SPEAKER-8" SUBWOOFER, JBL
193633-01-000
WIRE ASM-PIGTAIL, SUBWOOFER
193633-04-000 (2)
SCREW
G11-10-12U (4)
PLATE-SPEAKER, TERMINAL
194221-01-000 (2)
SEAL
123655-01-000 (300 MM)(2)
SCREW
G11-08-08U (8)
DETAIL FD



DETAIL FD

- 2 SPEAKER-5.25", MIDRANGE, JBL
194529-01-000
SPACER-SPEAKER
194873-01-000
ADAPTER-SPEAKER, SPRINTER
194530-01-000
- WIRE ASM-CHASSIS (REFERENCE)
- 3
- WIRE ASM-AMP, INPUT
194532-01-000
WIRE ASM-AMP, OUTPUT
194532-02-000
- AMPLIFIER-PREMIUM AUDIO, 500
194527-01-000
PANEL-AMPLIFIER
195229-01-CHT
RIVET
165072-01-CHT (3)
NUT
OMD54F-06-000 (2)



- 2 SPEAKER-5.25", MIDRANGE, JBL
194529-01-000
SPACER-SPEAKER
194873-01-000
ADAPTER-SPEAKER, SPRINTER
194530-01-000

BOX ASM-SPEAKER, SUB WOOFER
194555-01-XXX
DETAIL FB

GROMMET
023942-01-000

VIEW FA

- 4 CENTER ON BOTTOM OF SPEAKER GRILL ON DOOR PANEL.
CLEAN SURFACE WITH PROMOTER 087211-01-000.
- 3 WITH 57P
CONNECT 15 PIN HSGS FROM WIRE ASM-CHASSIS TO WIRE ASM-AMP
WITHOUT 57P
CONNECT 15 PIN HSGS IN WIRE ASM-CHASSIS TOGETHER.
- 2 REPLACE FACTORY DOOR SPEAKER WITH SPEAKER CALLED OUT.
- 1 WIRE IS PART OF WIRE ASM-CHASSIS.

NOTES:

FOR ELECTRICAL TORQUE SPECIFICATIONS SEE DWG NO. 128783-01-000

FOR ELECTRICAL CALLOUTS SEE DWG NO. 121339-01-000

- 57P RADIO SPEAKERS-PREMIUM SOUND
- 265 CODES/STANDARDS-CSA/CMVSS
- 1B1 CODES/STANDARDS USA

DESCRIPTION: 1B1 265 57P		
RADIO/MONITOR INSTL		
SHEET: 6 OF 6	ITEM/PART NO: 000182316 / 30230101000	REV