

NOTES:



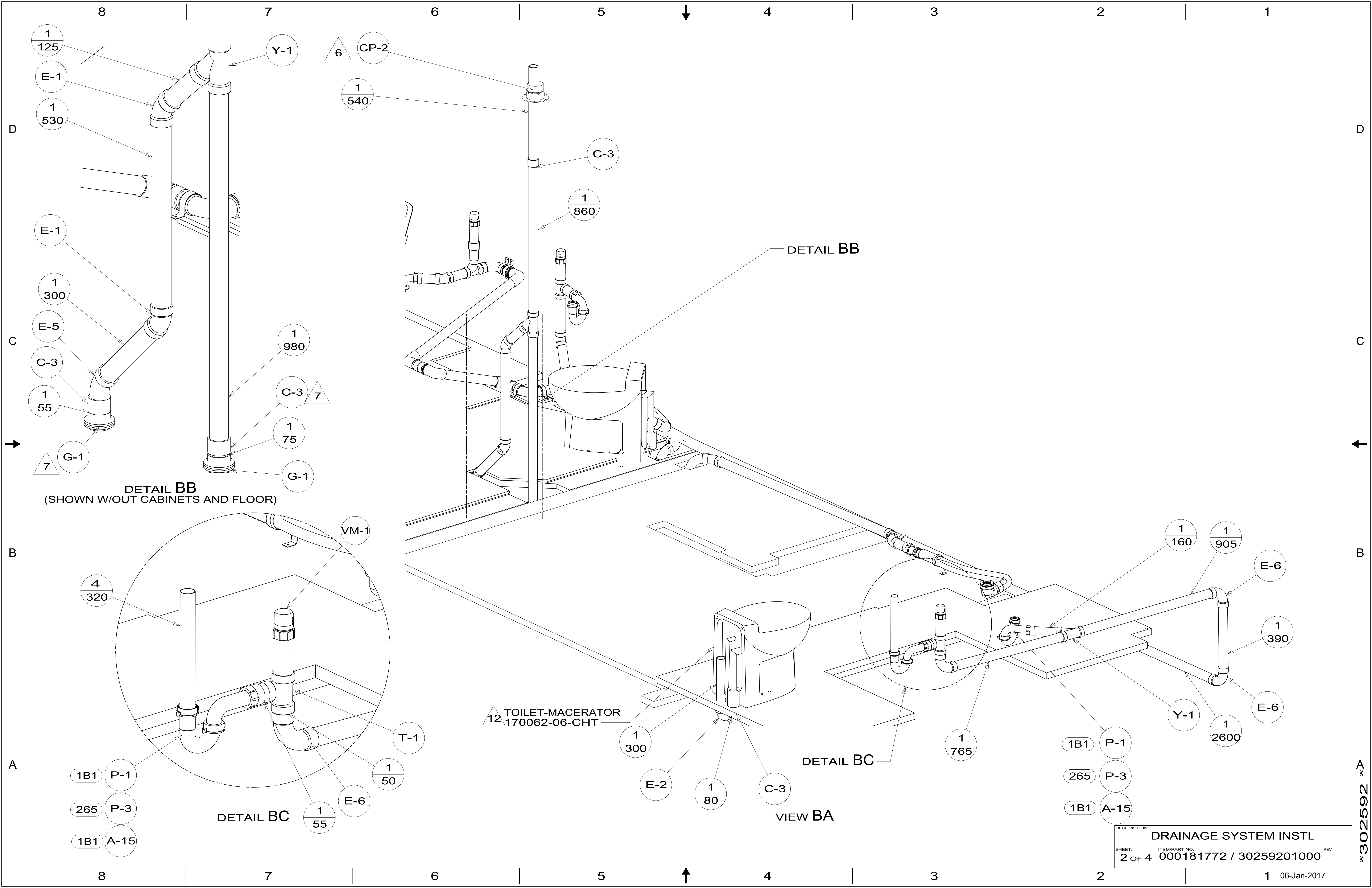
FOR DRAINAGE CALLOUTS SEE DWG NO. 000211962 / 303370-01-000

- (9PC) TAILGATE PACKAGE
- (1B1) CODES/STANDARDS USA
- (265) CODES/STANDARDS-CSA/CMVSS



DSNR:		ALL DIMENSIONS ARE IN MILLIMETERS	
DIFTR:			
UNSPECIFIED TOLERANCES:		MATERIAL:	
WHOLE DIM (X)	3		
ONE-PLACE (X.X)	1.5		
TWO-PLACE (X.XX)	0.50		
ANGLE	1°		
REFER TO ES0018 FOR FASTENER TIGHTENING GUIDELINES		WEIGHT: (LBS)	FIRST USED: (REF)
			17 R42QL
<b>DESCRIPTION:</b>			
<b>DRAINAGE SYSTEM INSTL</b>			
SHEET:	ITEM/PART NO.:	REV	
1 OF 4	000181772 / 30259201000		
REF:		1 06-Jan-2017	

\*302592\*



DETAIL BB  
(SHOWN W/OUT CABINETS AND FLOOR)

DETAIL BC

VIEW BA

DETAIL BC

TOILET-MACERATOR  
12.170062-06-CHT

DESCRIPTION: DRAINAGE SYSTEM INSTL		
SHEET: 2 OF 4	ITEM/PART NO.: 000181772 / 30259201000	REV: 1
		DATE: 06-Jan-2017

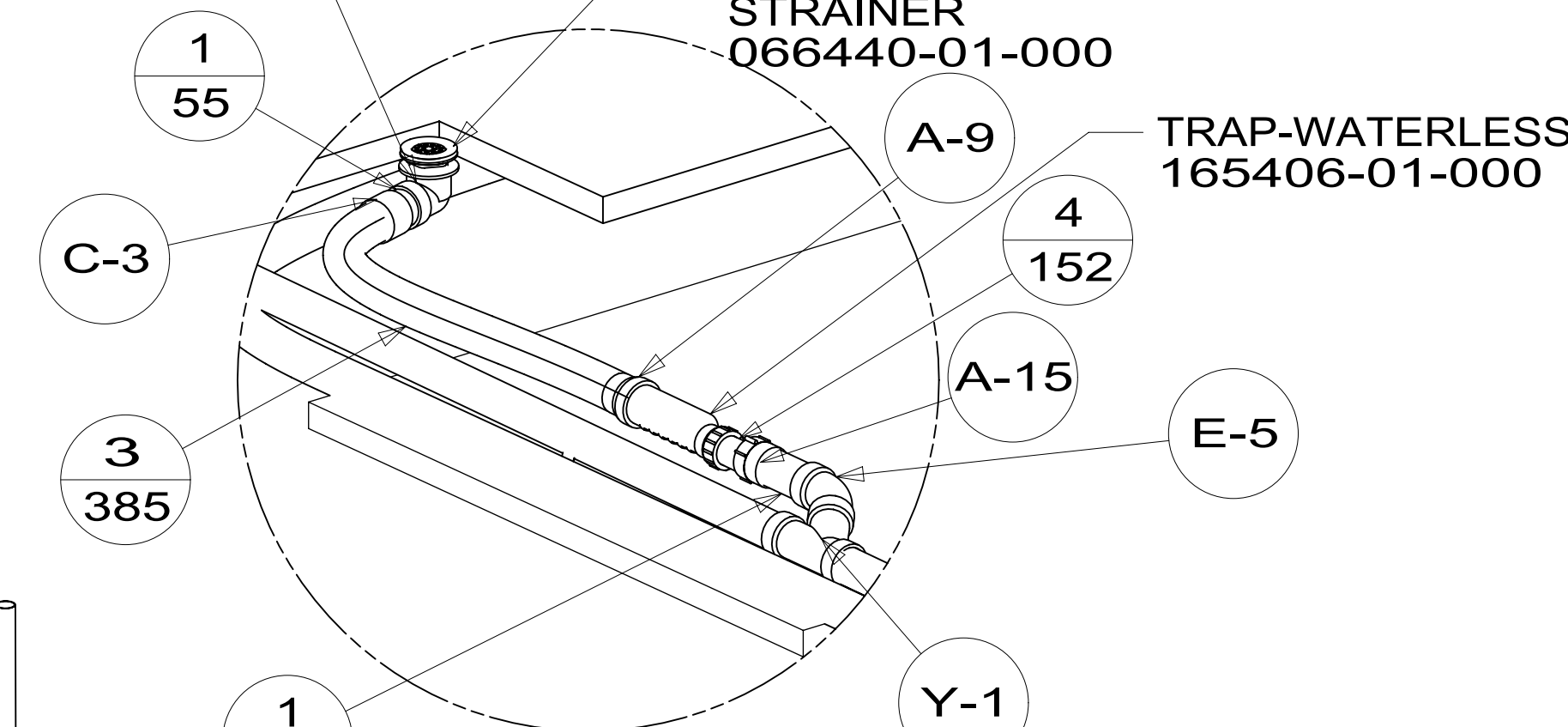
\*302592\*

ADAPTER-ANGLE  
131486-01-000

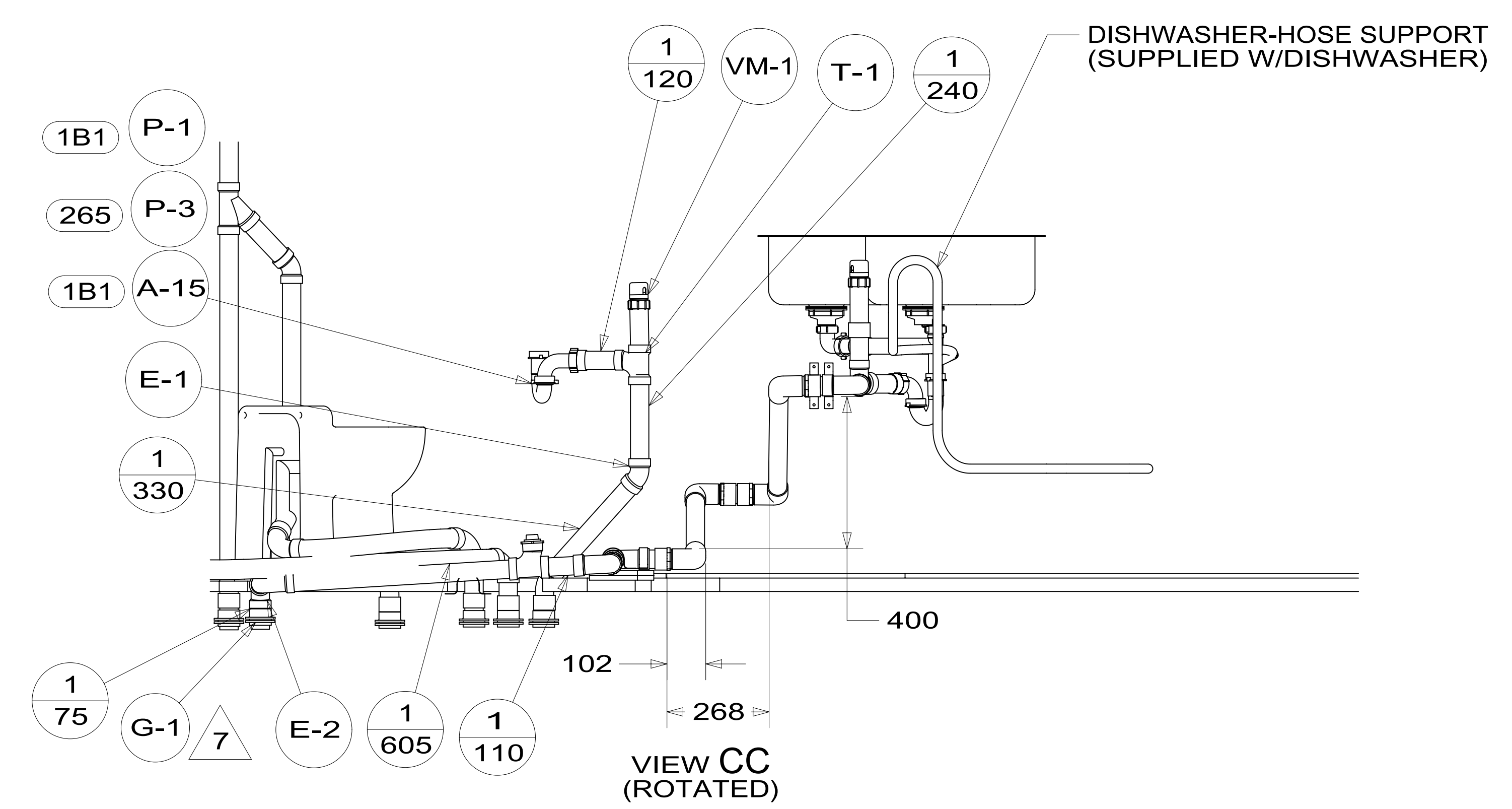
SHOWER INSTL-ENCLOSURE  
000008959 / 310841-01-000

STRAINER  
066440-01-000

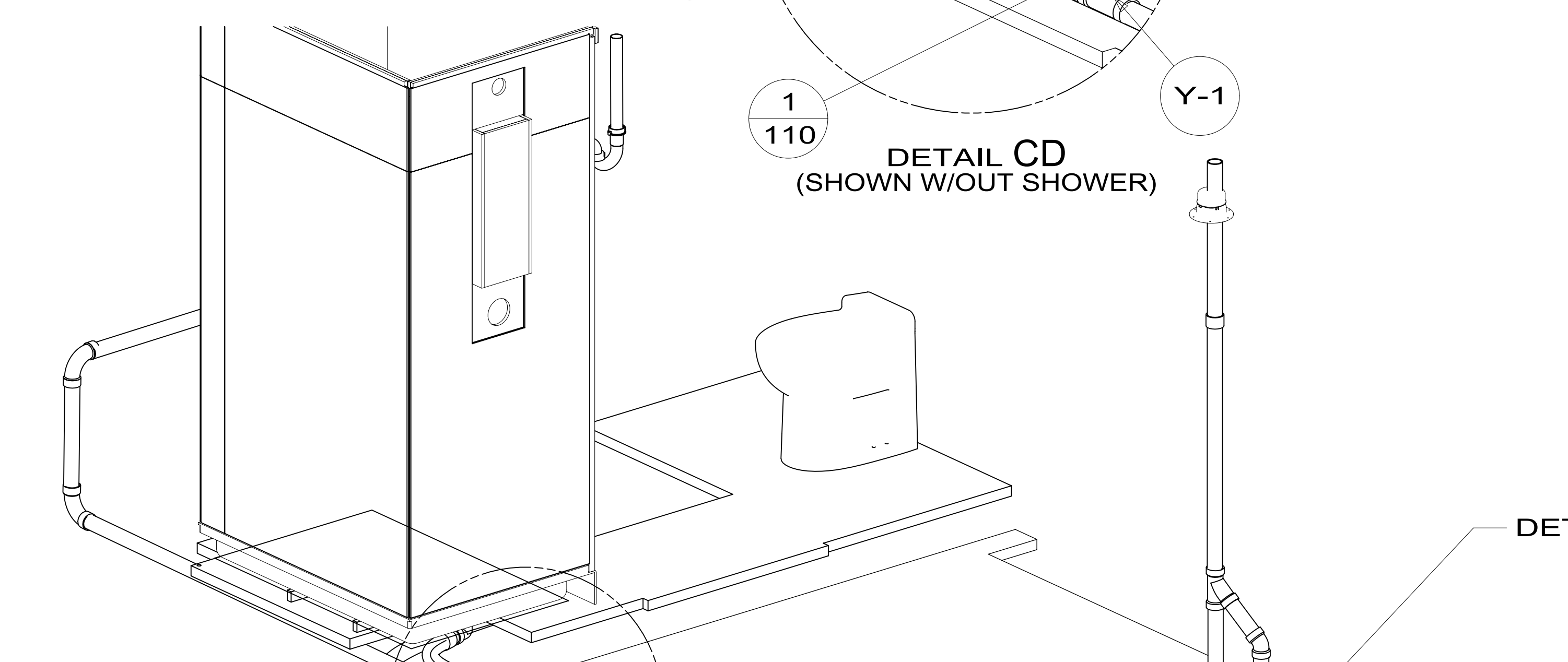
TRAP-WATERLESS  
165406-01-000



DETAIL CD  
(SHOWN W/OUT SHOWER)



VIEW CC  
(ROTATED)



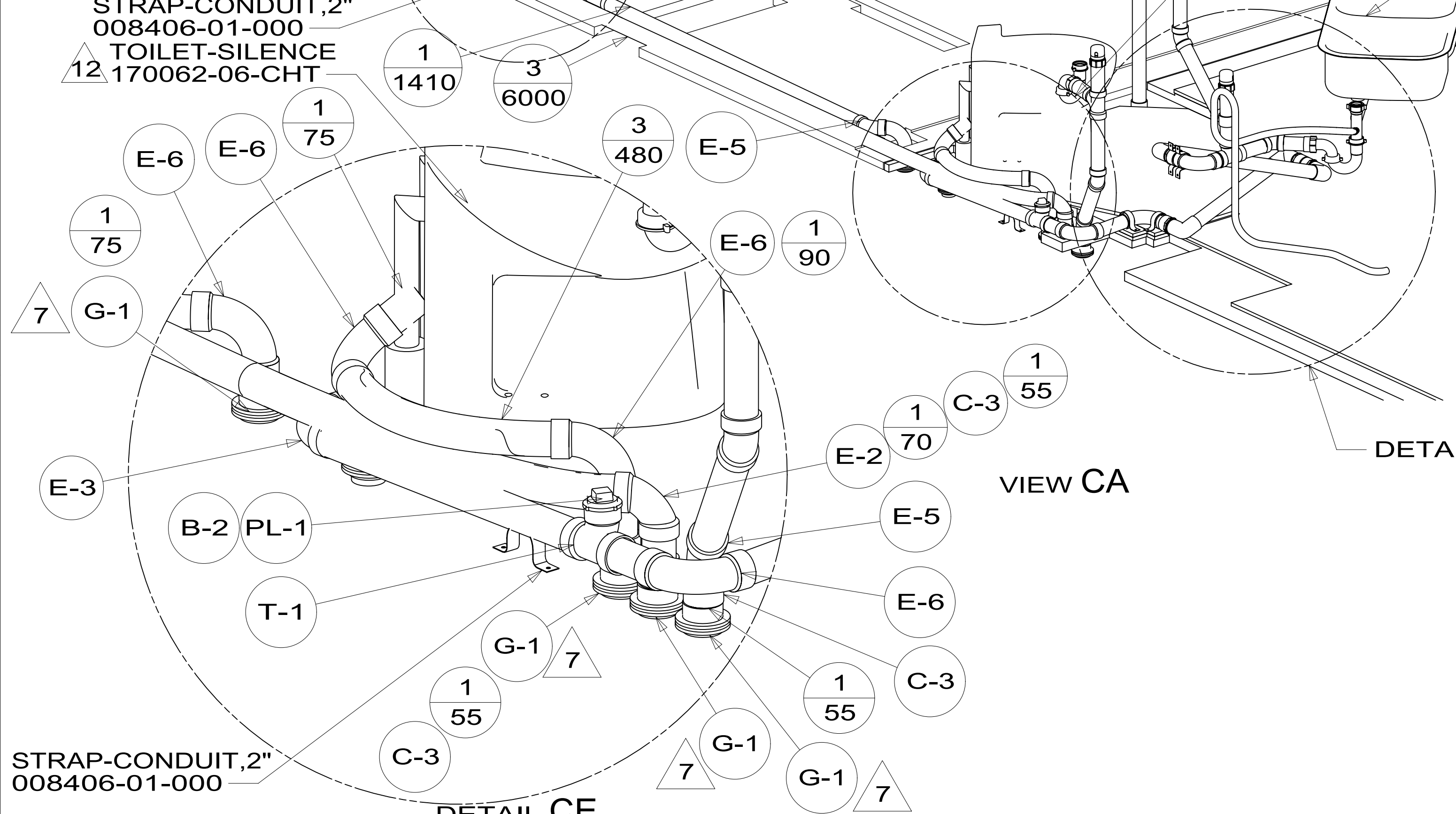
TO TOILET  
DETAIL CD  
STRAP-CONDUIT, 2"  
008406-01-000

TOILET-SILENCE  
12 170062-06-CHT

SINK-GALLEY  
173783-01-CHT  
STRAINER  
092303-01-000 (2)

ANGLE-W/SLOTS  
140002-01-CHT (10)

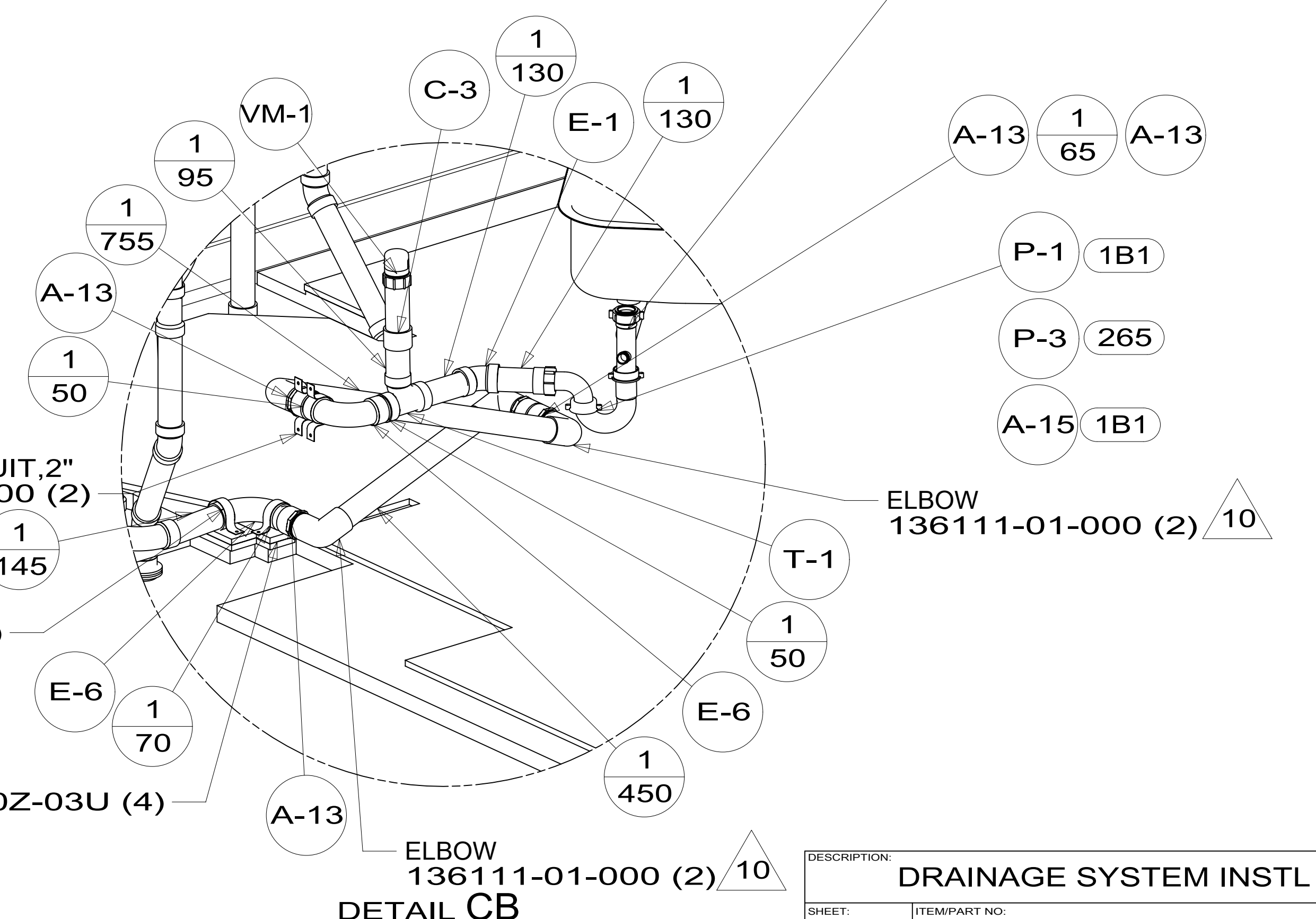
WASTE-CONTINUOUS  
011091-04-000



DETAIL CE  
(SHOWN W/OUT CABINETS AND FLOOR)

DETAIL CE

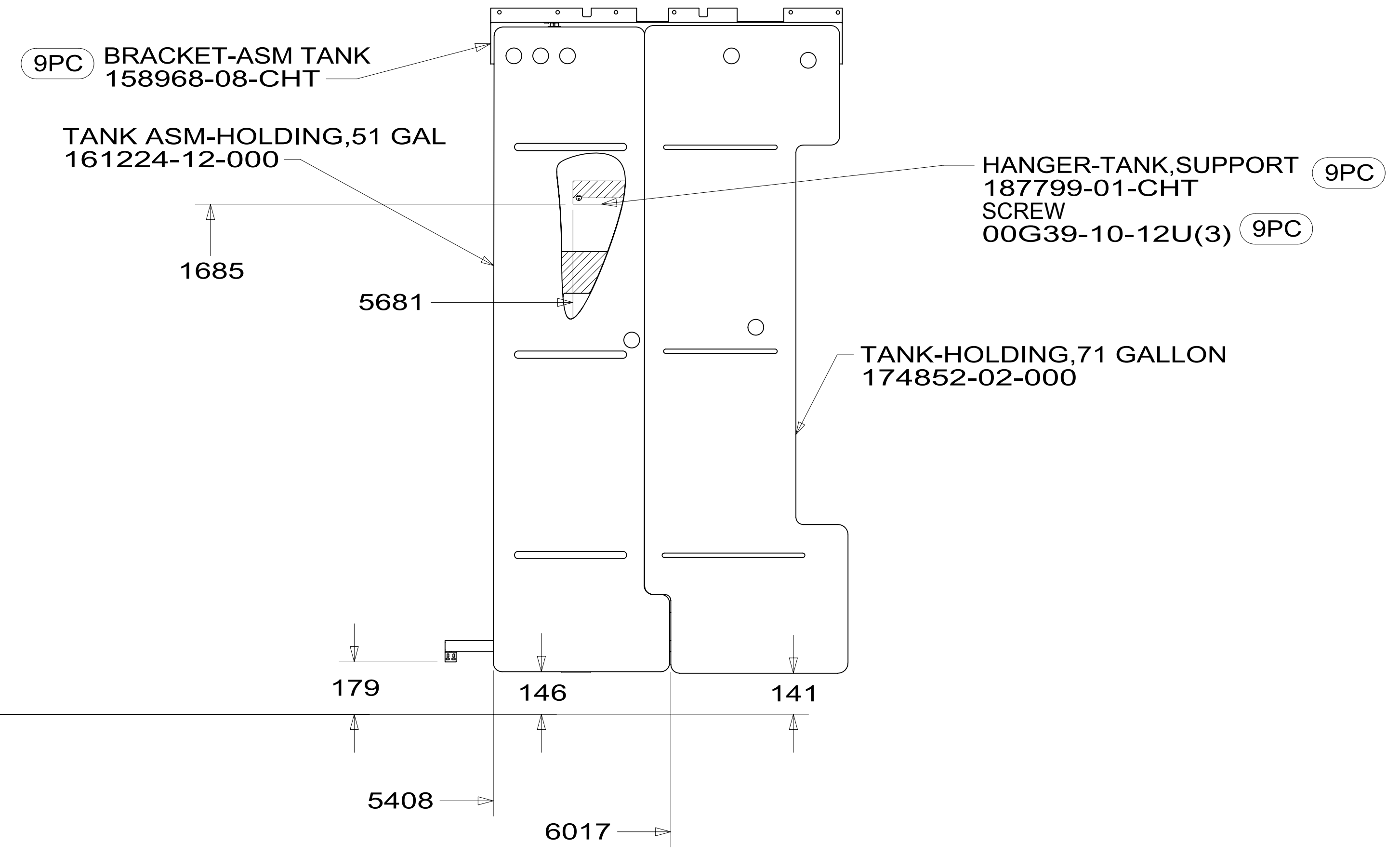
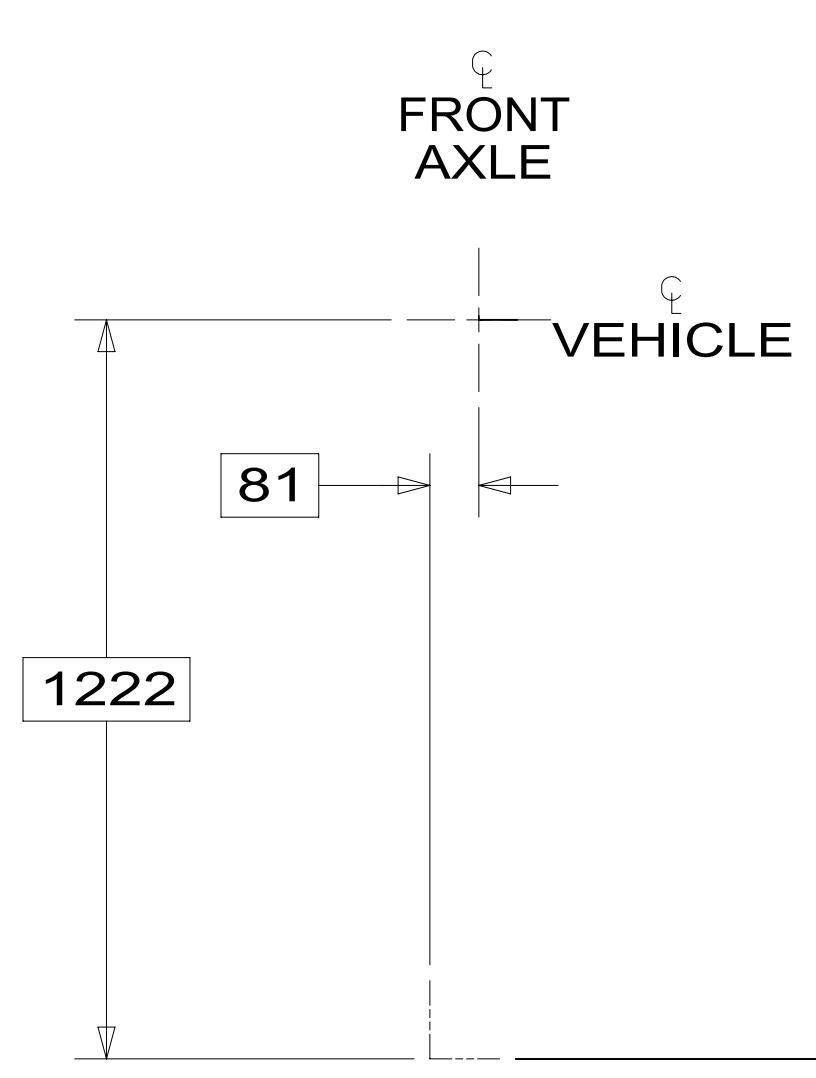
DETAIL CB



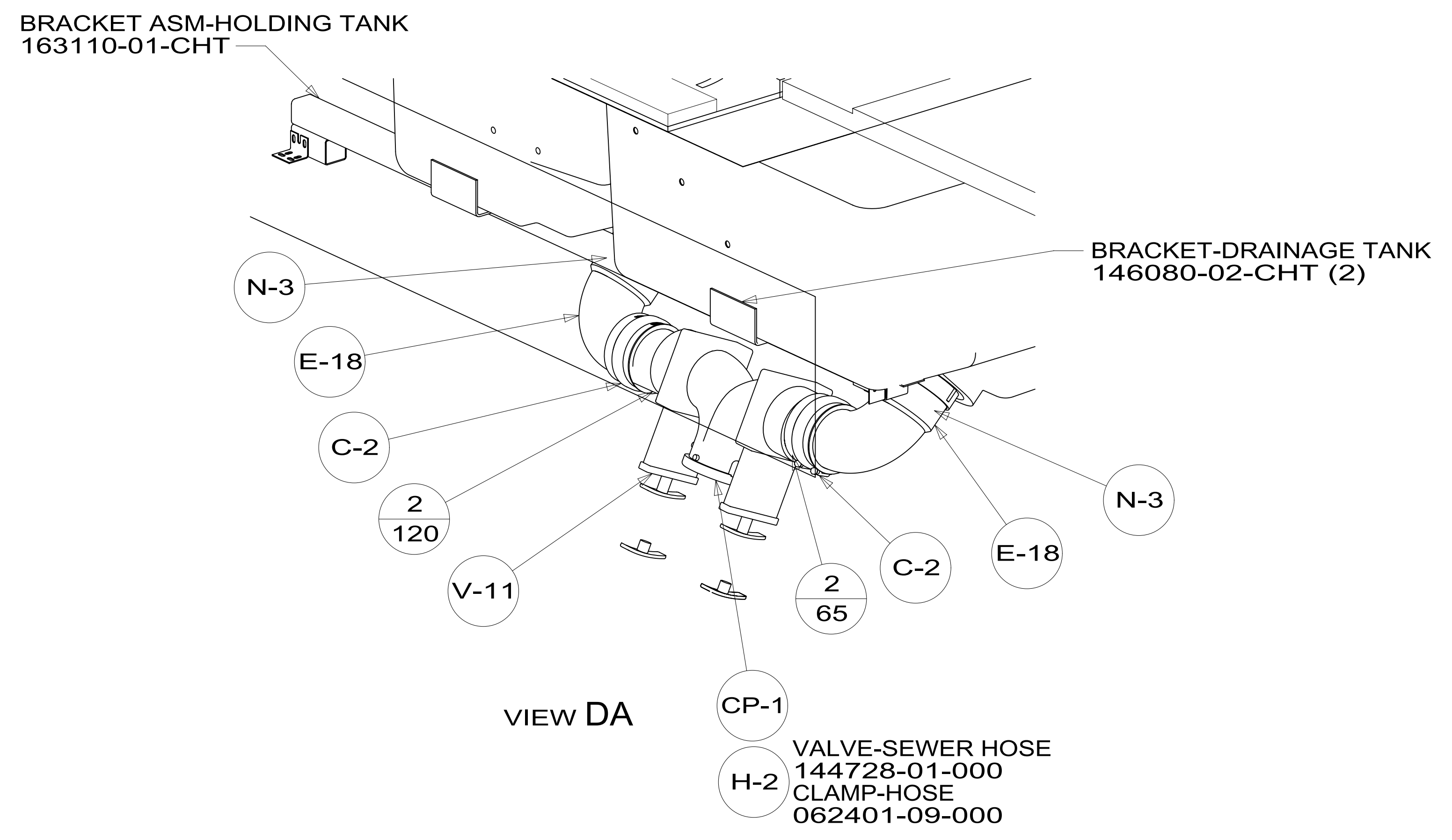
DETAIL CB  
(SHOWN W/OUT CABINETS & DISHWASHER LINES)

DESCRIPTION: DRAINAGE SYSTEM INSTL		
SHEET: 3 OF 4	ITEM/PART NO: 000181772 / 30259201000	REV
DATE: 06-Jan-2017		

\*302592\*



DRAFT\_TOP@8  
**TOP VIEW SHOWING TANKS AND DRAINS**



VIEW DA

DESCRIPTION: <b>DRAINAGE SYSTEM INSTL</b>		
SHEET: <b>4 OF 4</b>	ITEM/PART NO: <b>000181772 / 30259201000</b>	REV
1 06-Jan-2017		

\*302592\*